



US00D405645S

United States Patent [19] Frisch

[11] **Patent Number: Des. 405,645**

[45] **Date of Patent: **Feb. 16, 1999**

[54] **DRINKING GOBLET**

[75] Inventor: **Heinz Frisch**, Zwiesel, Germany

[73] Assignee: **Bohemia Cristal Handelsgesellschaft m.b.H.**, Selb, Germany

[**] Term: **14 Years**

[21] Appl. No.: **19,125**

[22] Filed: **Feb. 23, 1994**

[30] **Foreign Application Priority Data**

Dec. 27, 1993 [XH] Hague Agreement DM 028213

[51] **LOC (6) Cl.** **07-01**

[52] **U.S. Cl.** **D7/524; D7/537**

[58] **Field of Search** D7/507, 509, 514,
D7/515, 518, 522, 523, 524, 526, 527,
528, 537; 215/100 A; D26/9, 19, 22

[56] **References Cited**

U.S. PATENT DOCUMENTS

D. 54,967	4/1920	Sollmann	D7/524
D. 65,305	7/1924	Schmidt	D7/528
D. 67,658	6/1925	Heisey	D7/527
D. 77,944	3/1929	Dougherty	D7/526
D. 96,121	7/1935	Keil	D7/528
D. 97,597	11/1935	Deskey	D7/526
D. 100,616	8/1936	Cunningham	D7/527
D. 122,767	10/1940	Carlson	D7/527
D. 220,516	4/1971	Klober	D7/523
D. 284,155	6/1986	Blake et al.	D7/528
D. 316,947	5/1991	Wenzl	D7/527 X
D. 317,101	5/1991	Wenzl	D7/527 X
3,599,362	8/1971	Klober	215/100 A

OTHER PUBLICATIONS

No. 7963 Sherry Glass Monongah Glass Co. p. 291 Apr. 1st 1970 Cat. #6.

Domaine Glassware by Cominarc Tableware International Jun. 1975 p. 23.

Solitair Glass by Cristallerie Zwiesel in Schunter Wohnen Dec. 1983 p. 83,

Primary Examiner—M. N. Pandozzi
Attorney, Agent, or Firm—Notaro & Michalos

[57] **CLAIM**

The ornamental design for a drinking goblet, as shown and described.

DESCRIPTION

FIG. 1 is a front elevational view of a drinking goblet showing my design, both sides and the rear view being the same;

FIG. 2 is a top, plan view thereof;

FIG. 3 is a bottom, plan view thereof;

FIG. 4 is an elevational view of a second embodiment showing my new design;

FIG. 5 is a top, plan view thereof;

FIG. 6 is a bottom, plan view thereof;

FIG. 7 is an elevational view of a third embodiment showing my new design;

FIG. 8 is a top, plan view thereof;

FIG. 9 is a bottom, plan view thereof;

FIG. 10 is an elevational view of a fourth embodiment showing my new design;

FIG. 11 is a top, plan view thereof;

FIG. 12 is a bottom, plan view thereof;

FIG. 13 is an elevational view of a fifth embodiment showing my new design;

FIG. 14 is a top, plan view thereof;

FIG. 15 is a bottom, plan view thereof;

FIG. 16 is an elevational view of a sixth embodiment showing my new design;

FIG. 17 is a top, plan view thereof; and,

FIG. 18 is a bottom, plan view thereof.

1 Claim, 6 Drawing Sheets



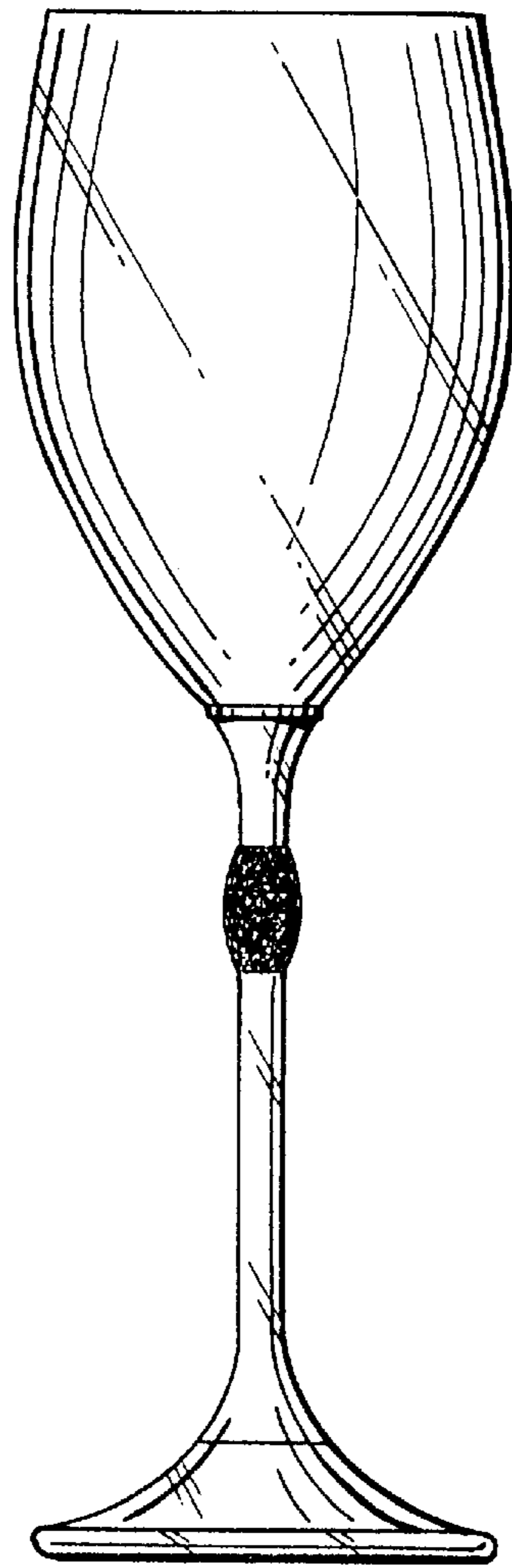


FIG. 1

FIG. 2

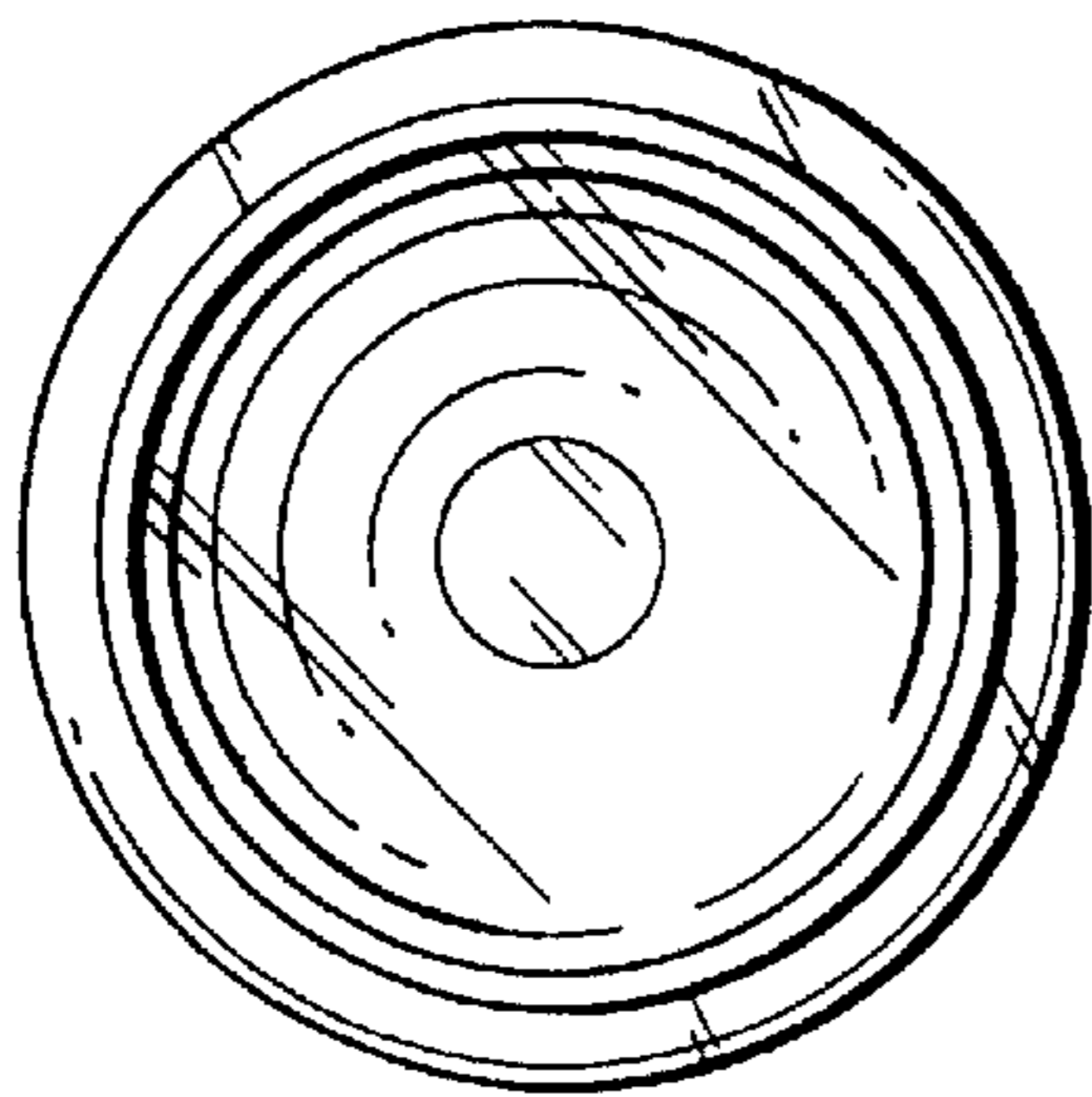
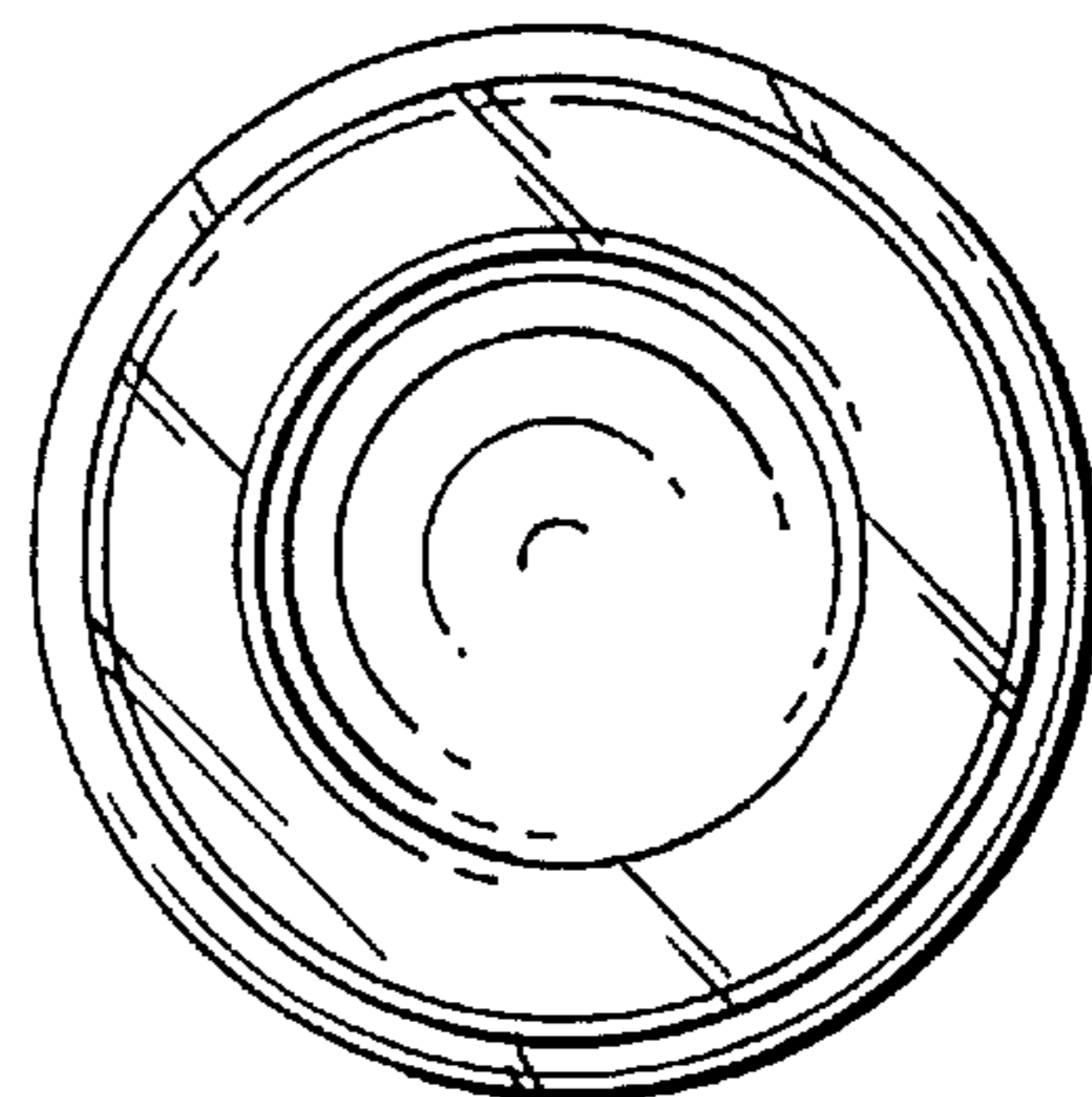


FIG. 3



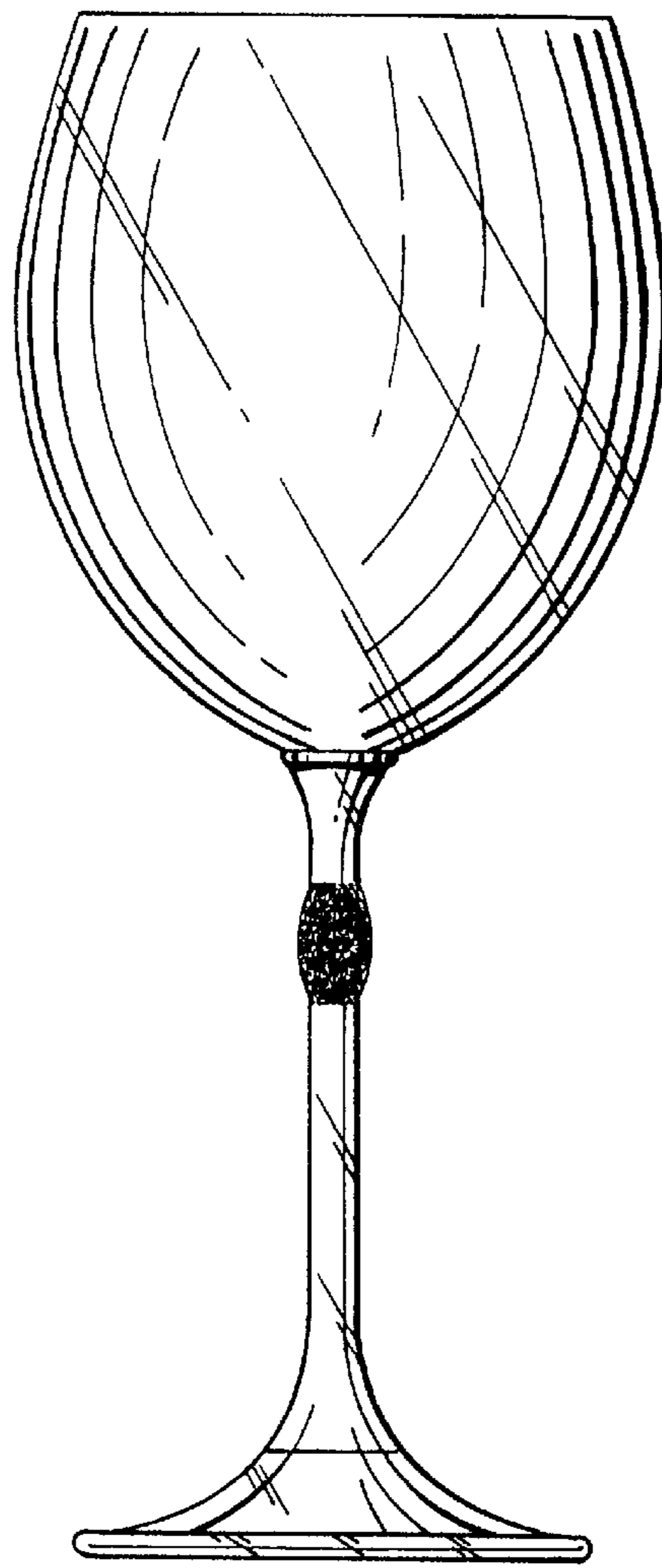


FIG. 4

FIG. 5

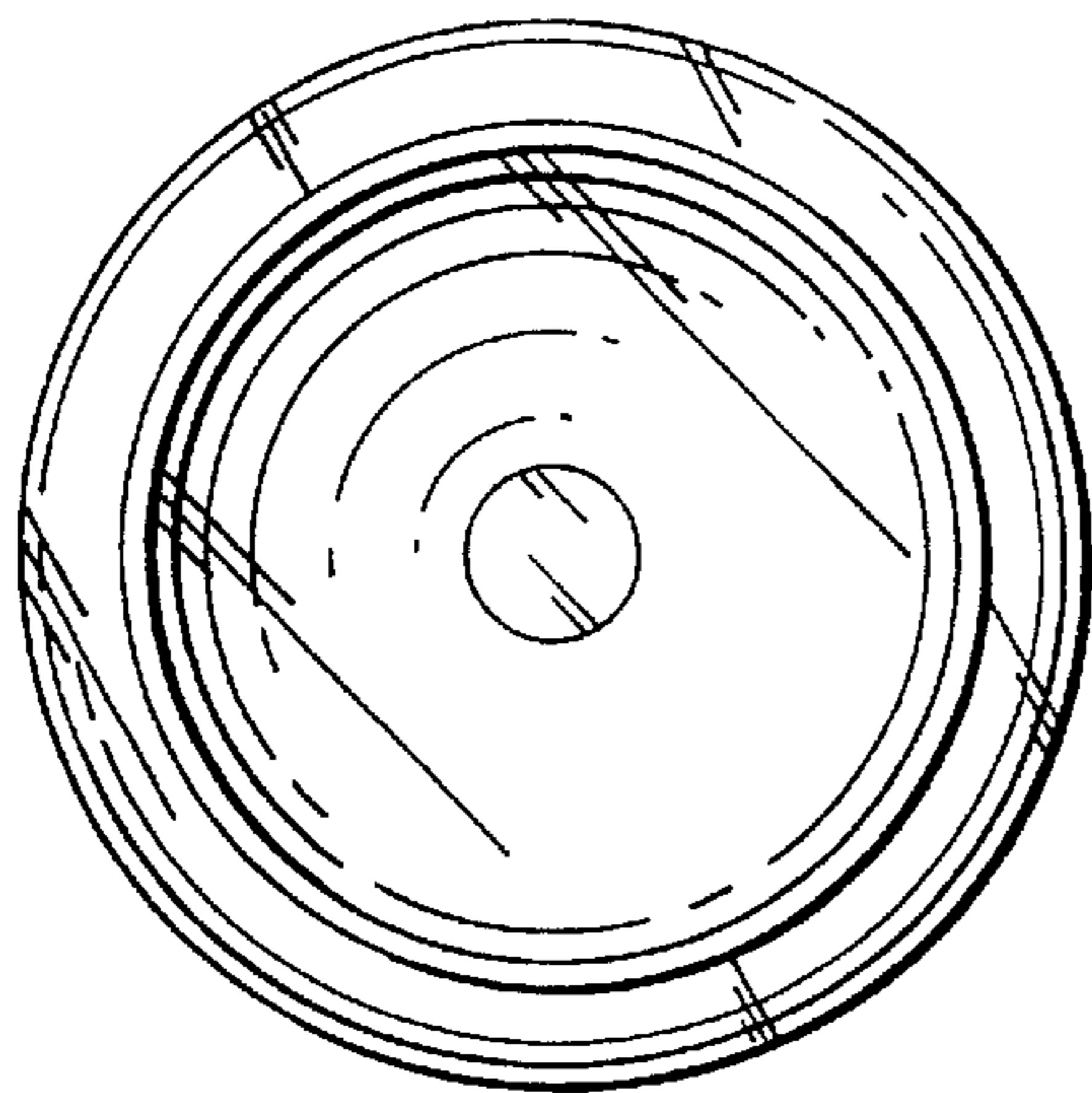
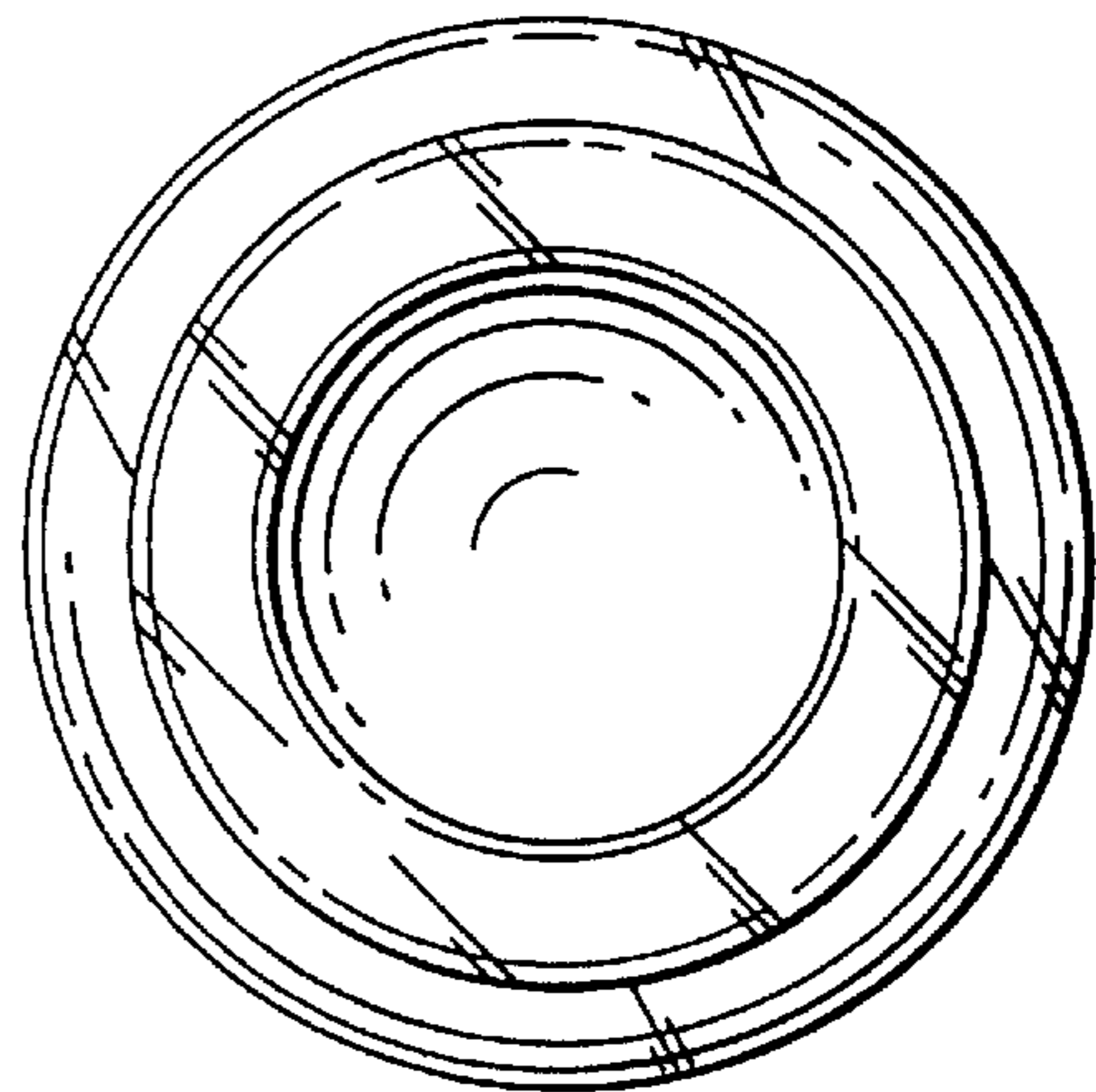


FIG. 6



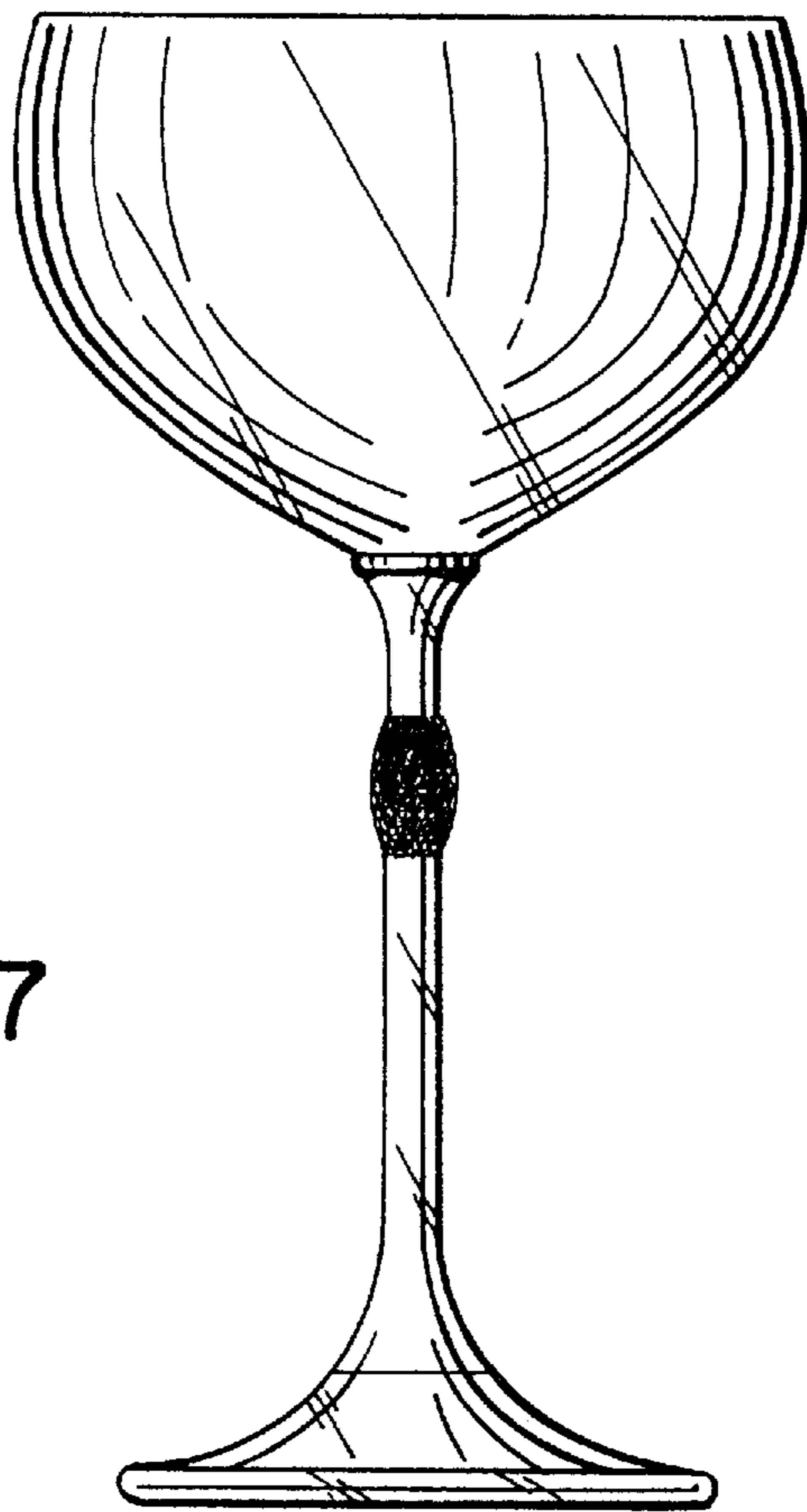


FIG. 7

FIG. 8

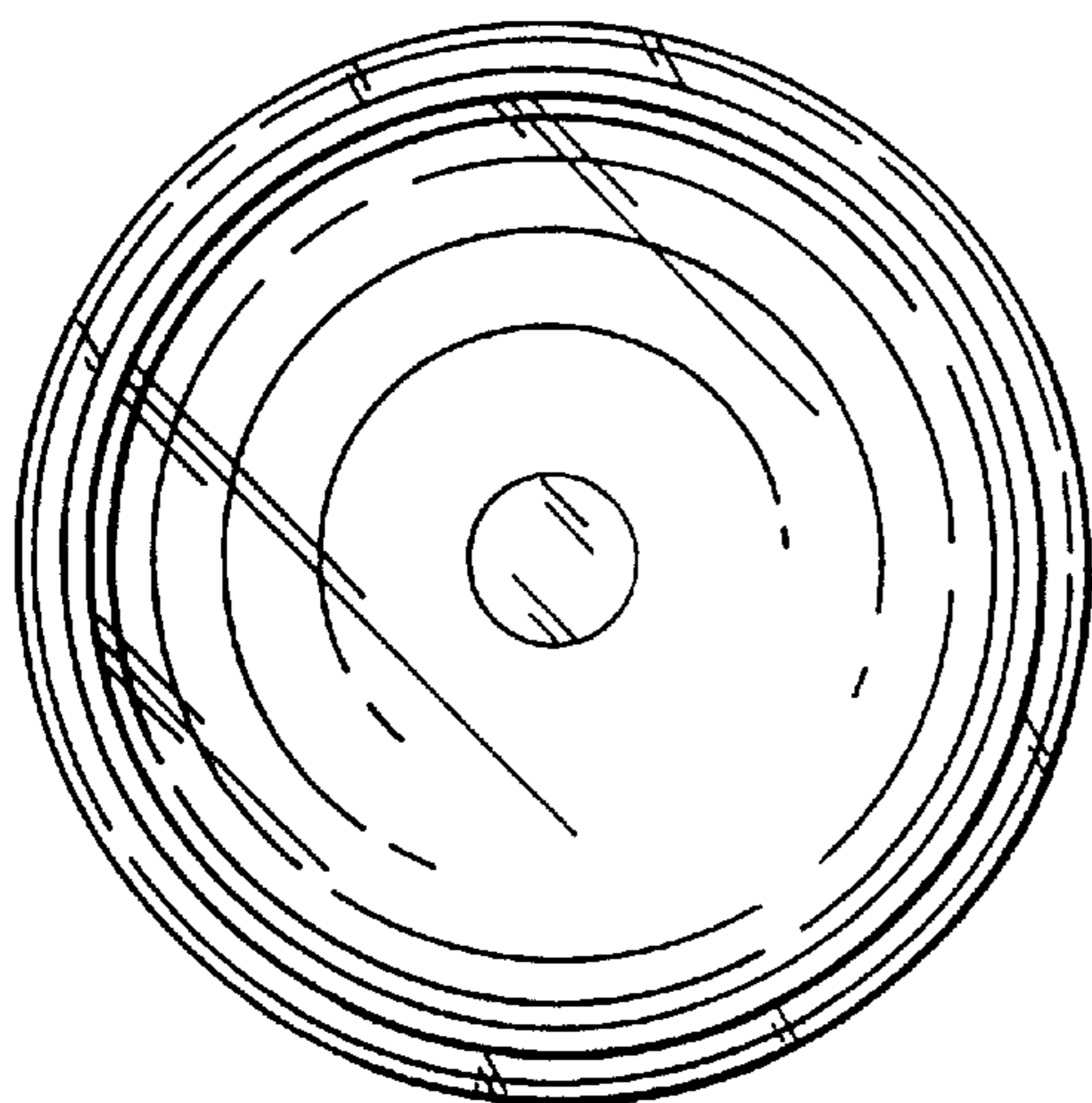
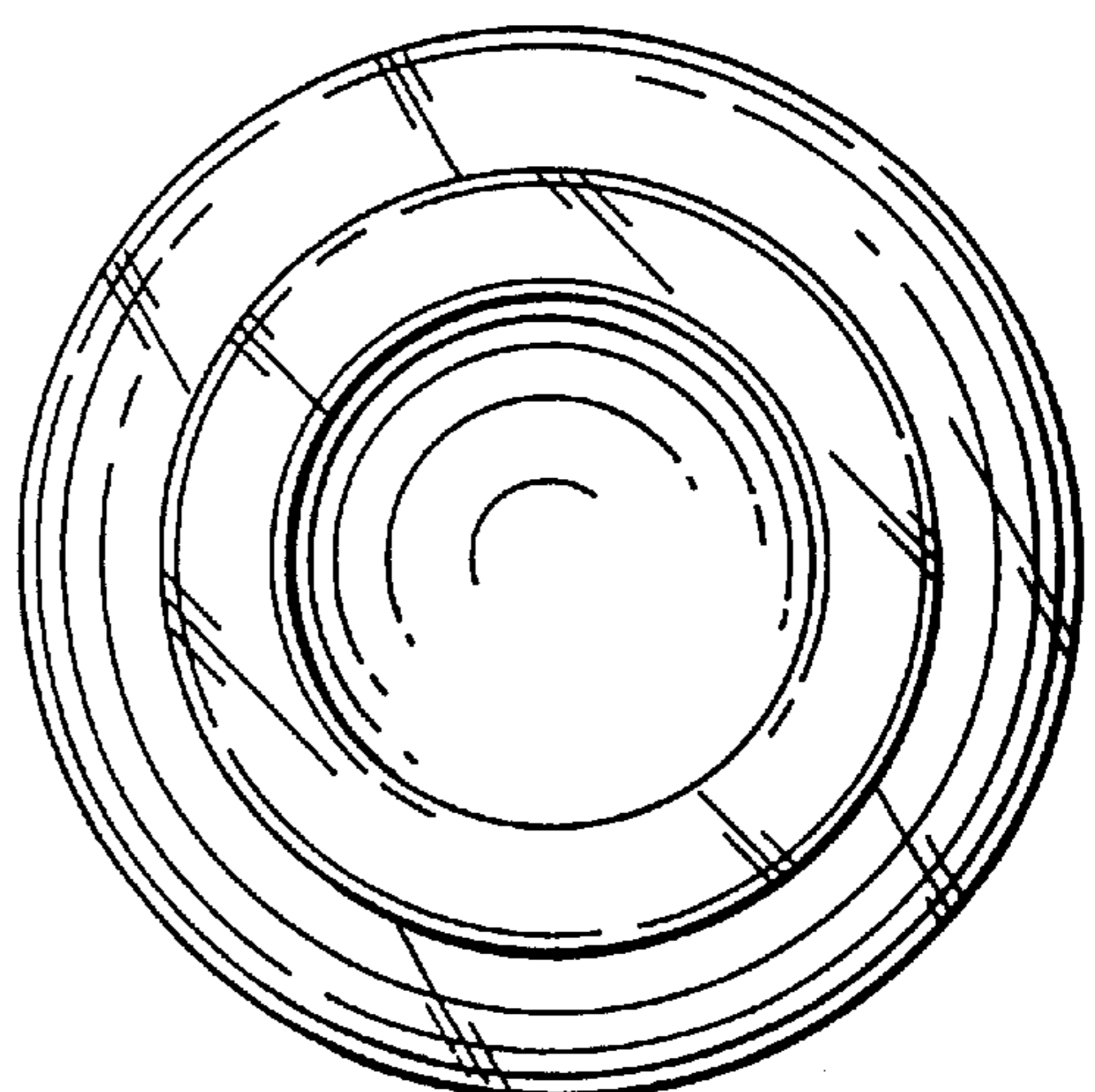


FIG. 9



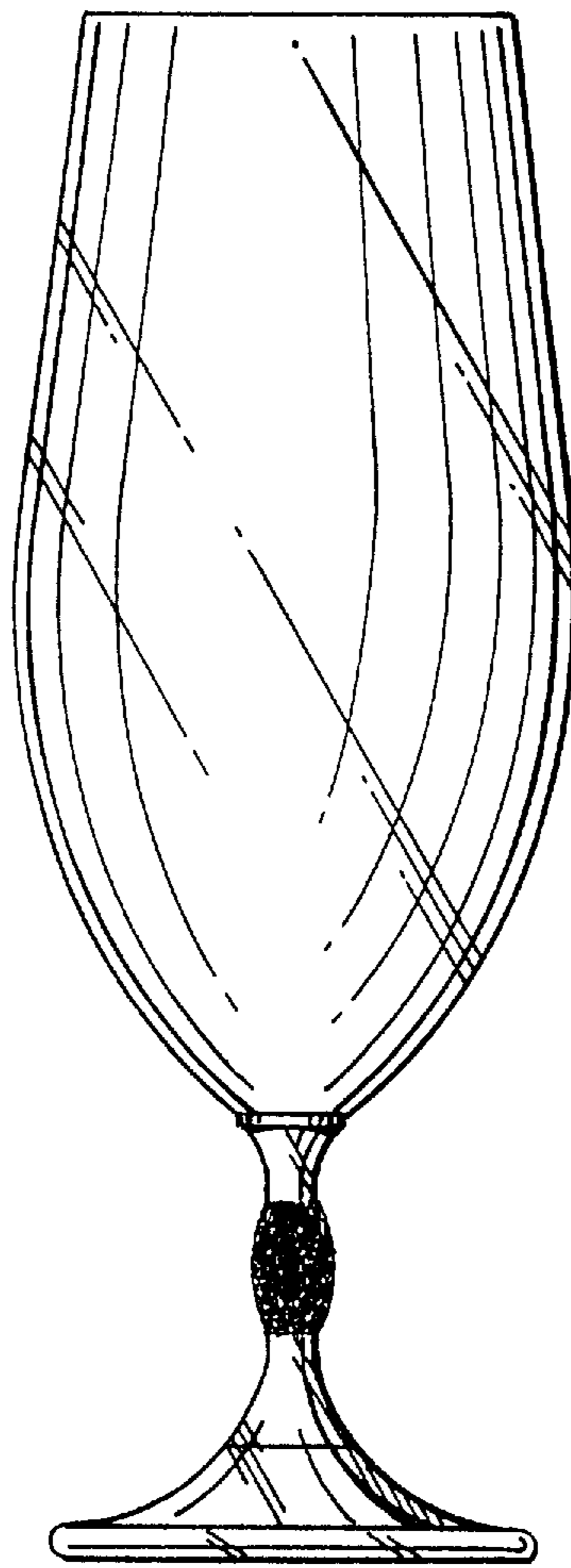


FIG. 10

FIG. 11

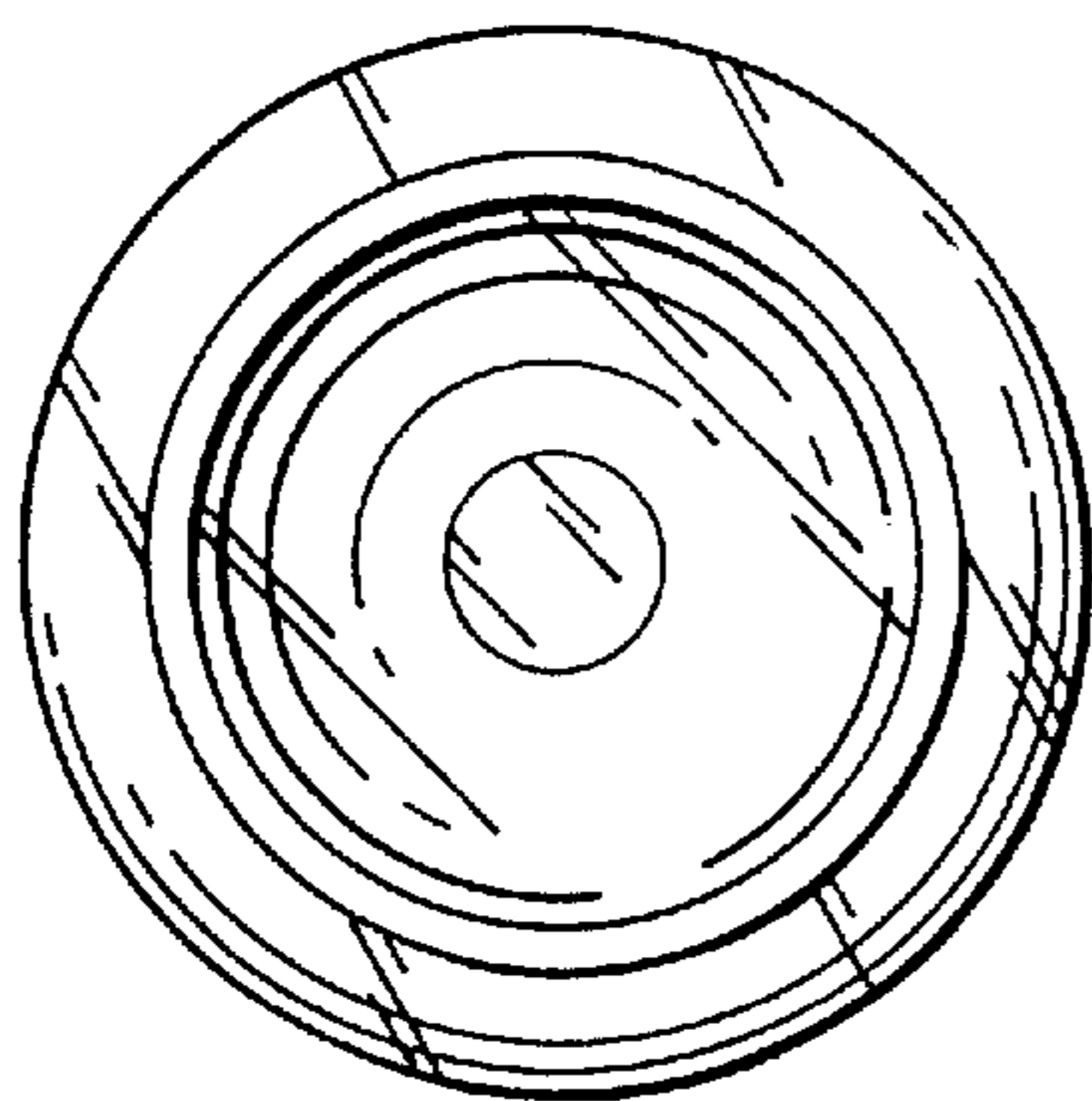
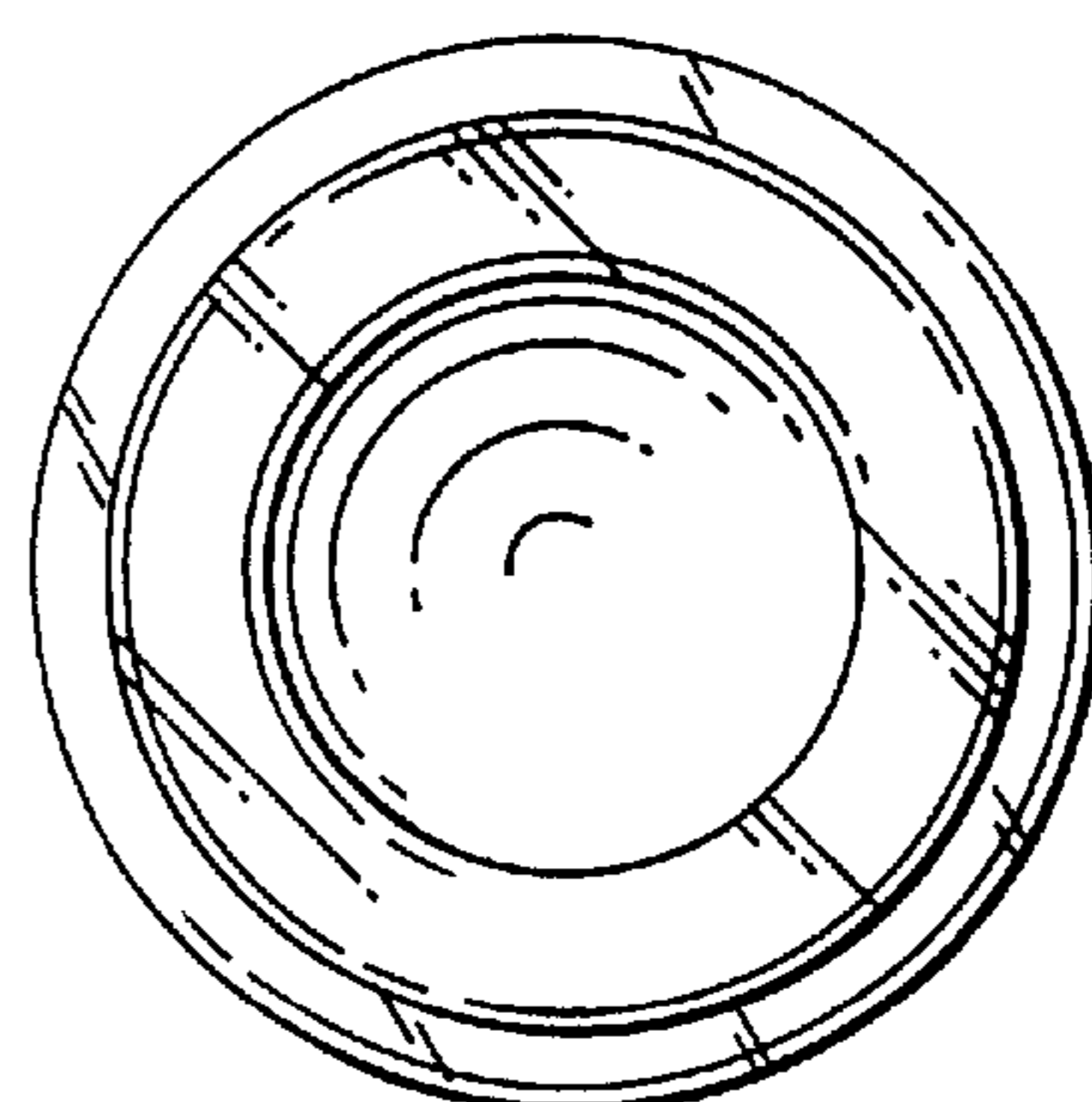


FIG. 12



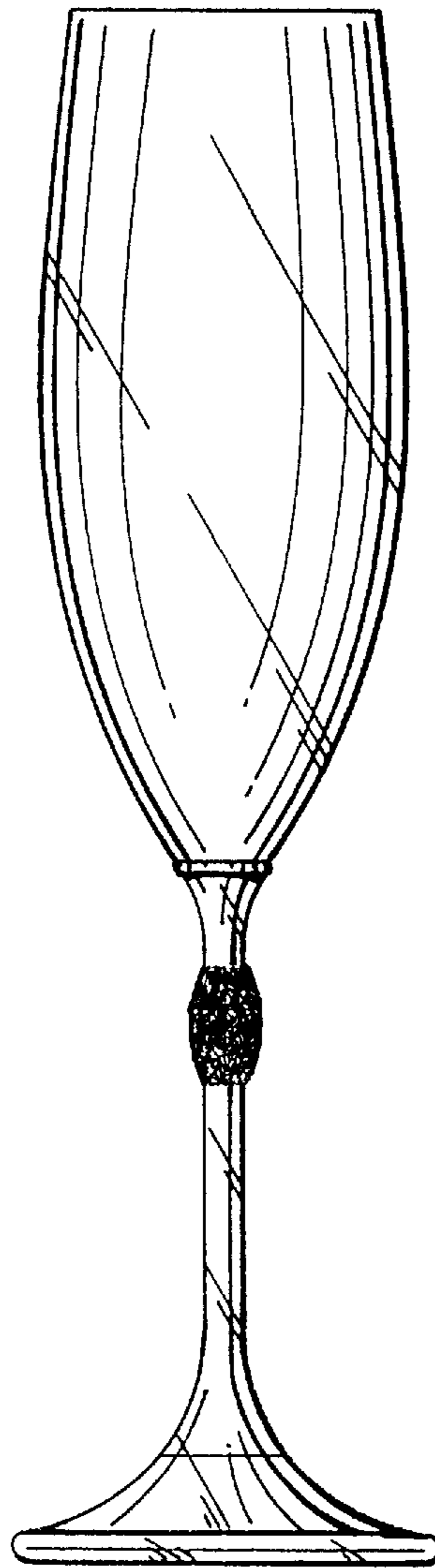


FIG. 13

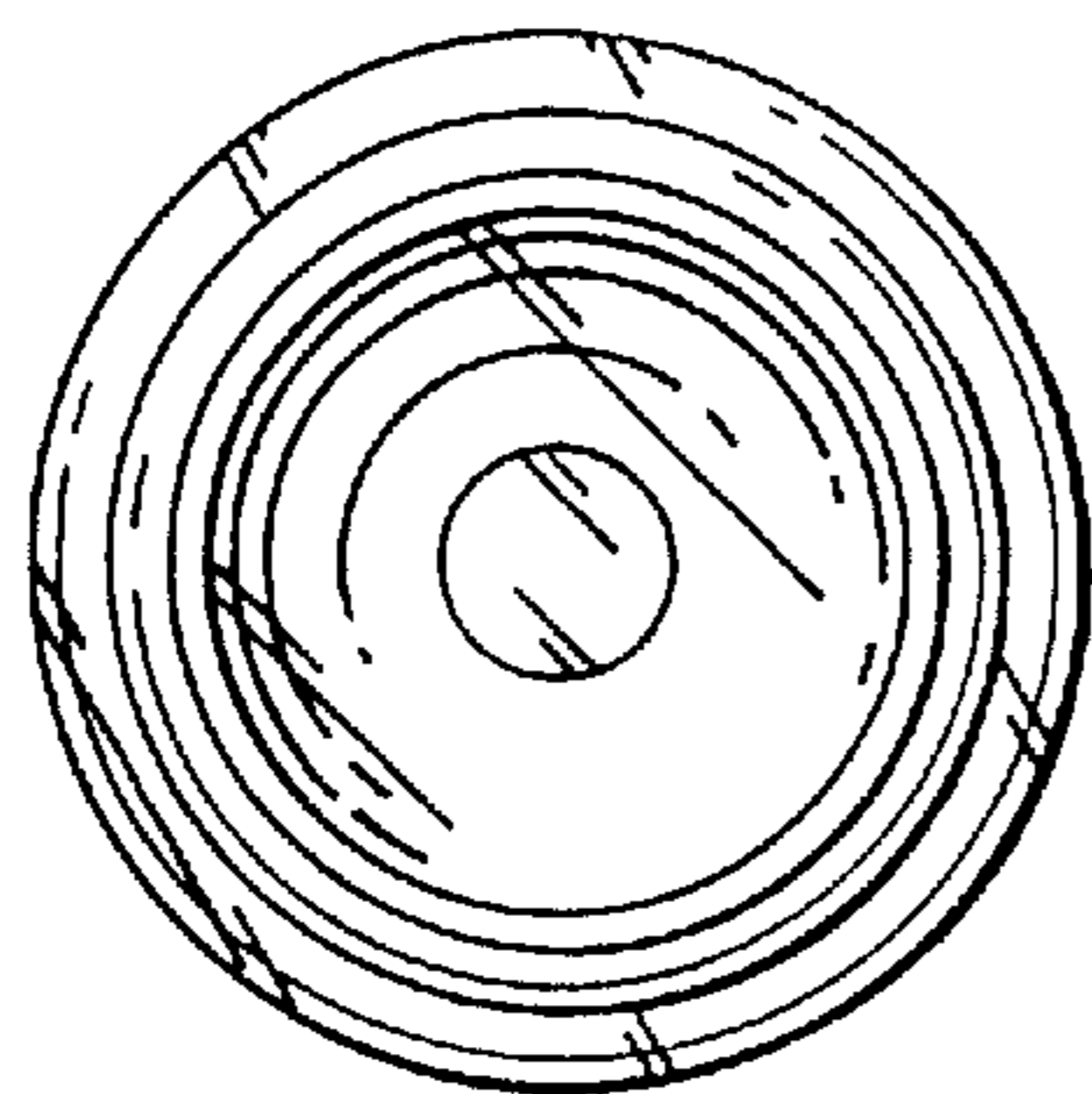


FIG. 14

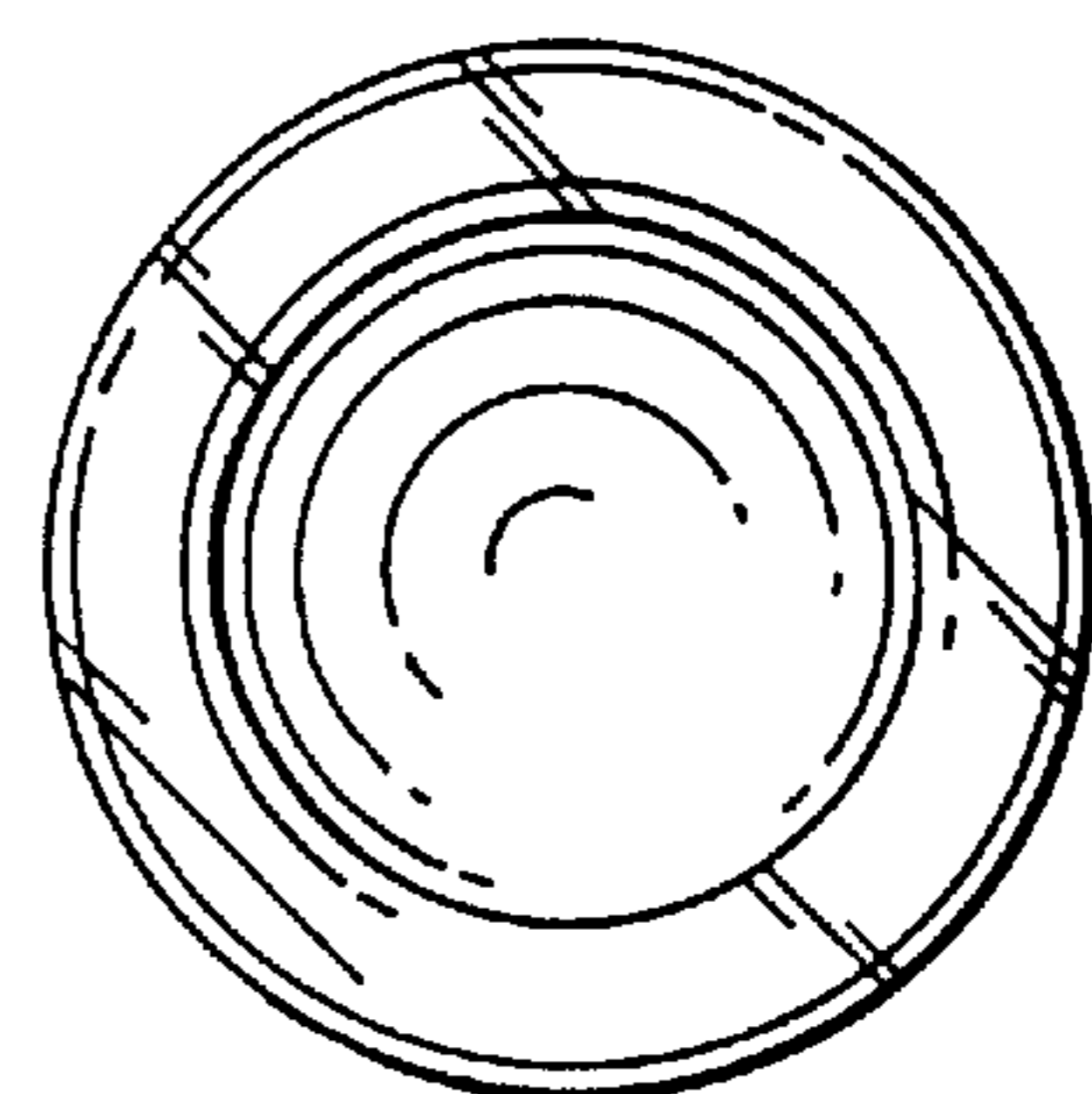


FIG. 15

FIG. 16

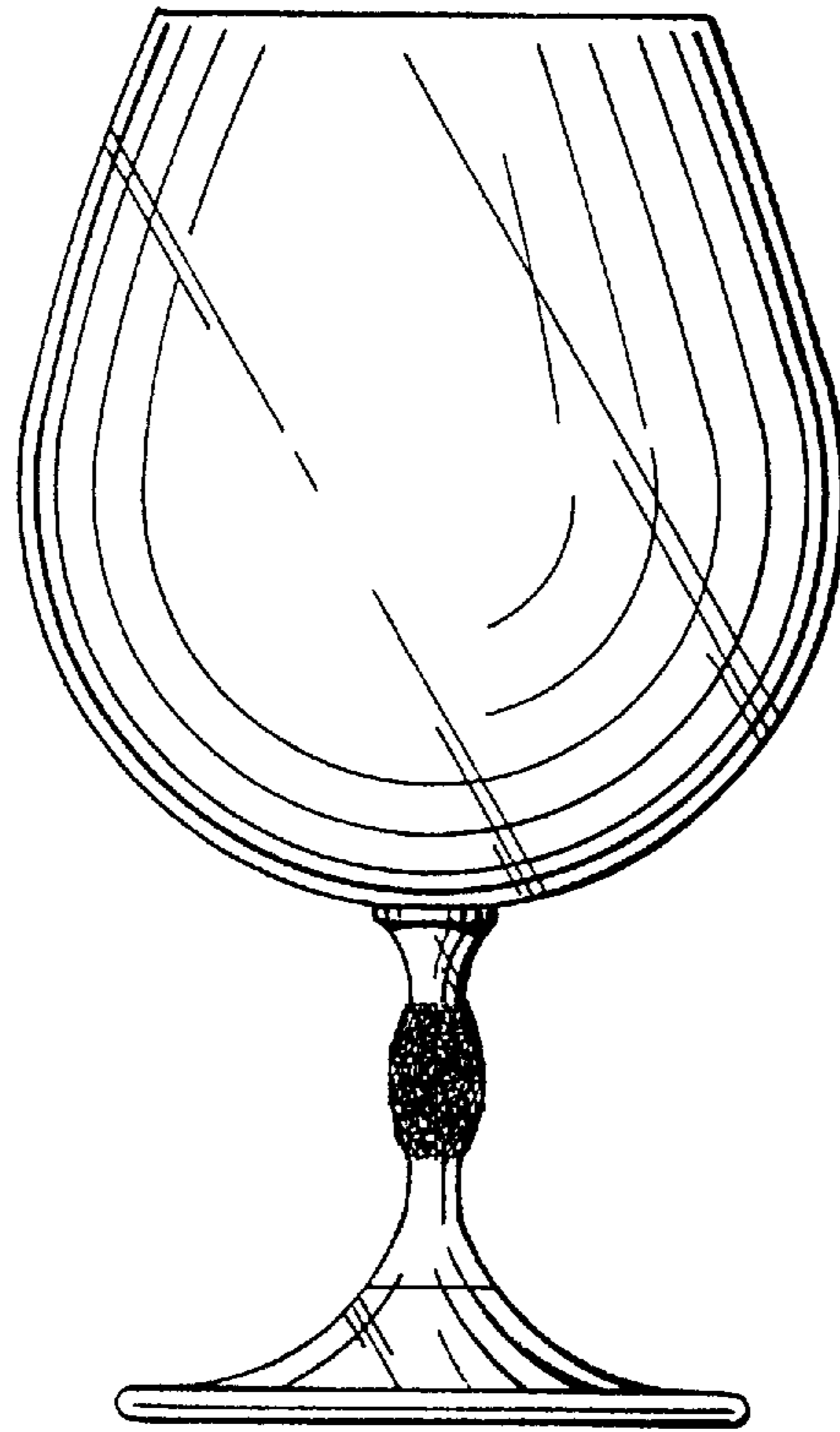


FIG. 17

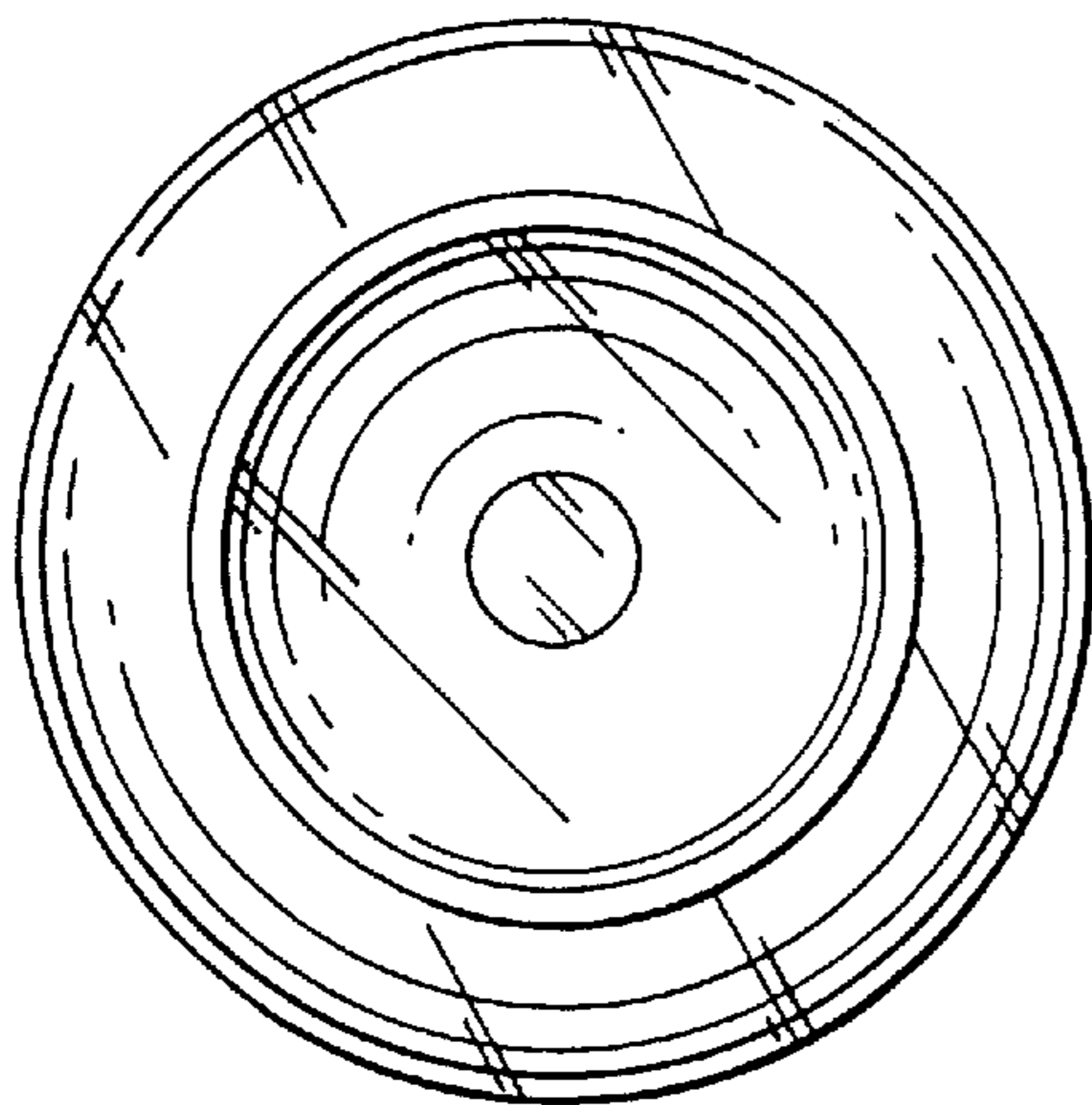


FIG. 18

