



US00D405643S

United States Patent [19]

Coleman et al.

[11] **Patent Number: Des. 405,643**

[45] **Date of Patent: **Feb. 16, 1999**

[54] **HANDLE FOR BARBECUE GRILL**

[75] Inventors: **Brian Coleman**, Midland, Ga.; **Jeff Brant**, Dublin, Ohio

[73] Assignee: **W. C. Bradley Company**, Columbus, Ga.

[**] Term: **14 Years**

[21] Appl. No.: **75,204**

[22] Filed: **Aug. 8, 1997**

[51] **LOC (6) Cl.** **07-02**

[52] **U.S. Cl.** **D7/402**

[58] **Field of Search** D7/332-337, 402-404; 126/25 R, 25 A, 25 AA, 29-30; D8/300, 303, 313-314, 315, 316, 319, 320

[56] **References Cited**

U.S. PATENT DOCUMENTS

- D. 85,851 12/1931 Baker .
- D. 188,040 5/1960 Henshaw .
- D. 190,627 6/1961 Miller .
- D. 191,903 12/1961 Thompson .

- D. 193,468 8/1962 Thompson .
- D. 277,337 1/1985 Parrochia D3/54
- D. 277,620 2/1985 Parrochia D3/54
- D. 290,935 7/1987 Williams D9/434
- D. 298,797 12/1988 White et al. D8/319
- D. 339,516 9/1993 Prineppi D8/316
- D. 368,636 4/1996 Planka et al. D8/300
- D. 389,722 7/1998 Bloom D8/319

Primary Examiner—Ruth McInroy
Attorney, Agent, or Firm—James W. Kayden, Esq.; Thomas, Kayden, Horstemeyer & Risley, LLP

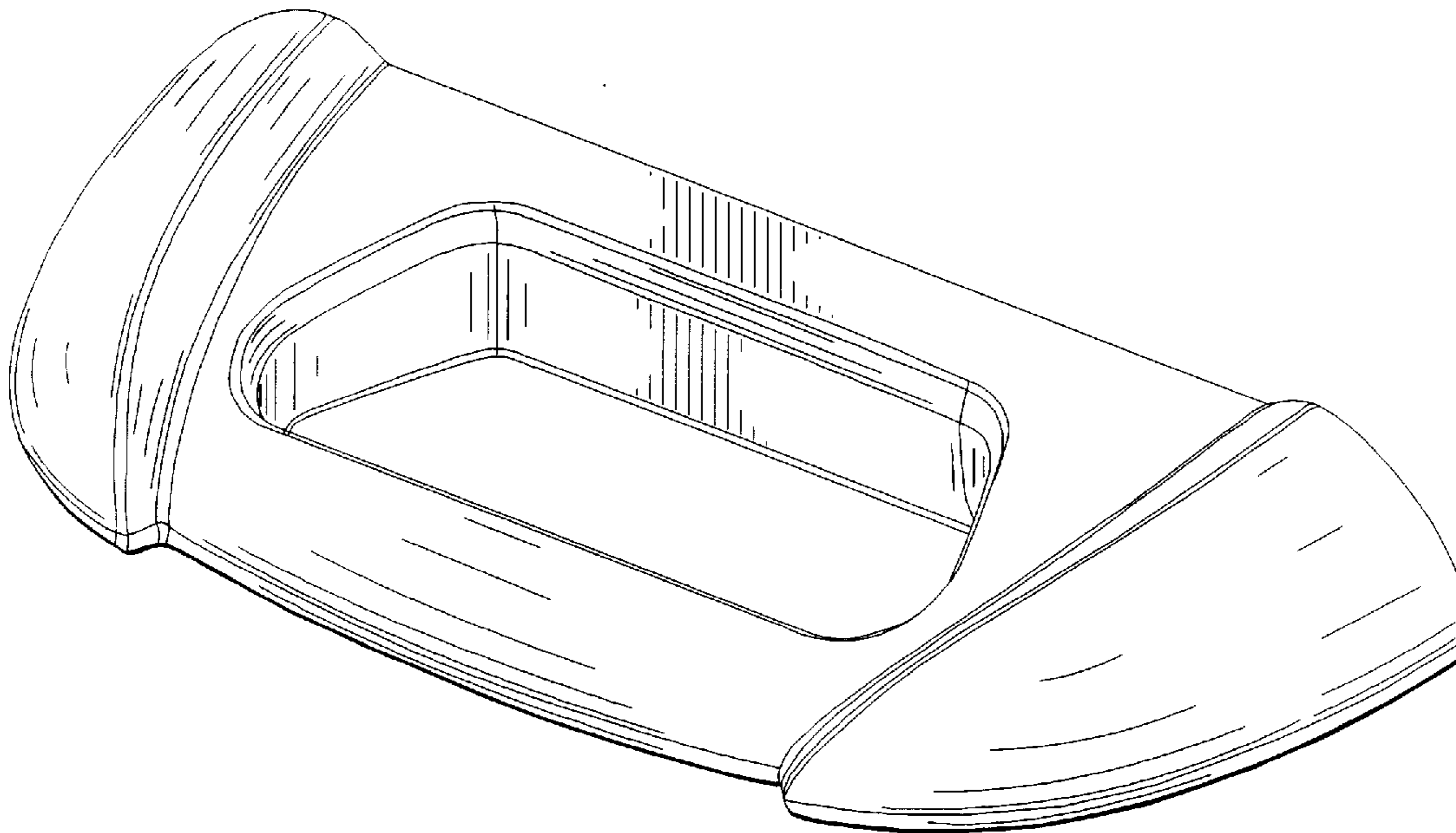
[57] **CLAIM**

The ornamental design entitled: “handle for barbecue grill”, as shown and described.

DESCRIPTION

FIG. 1 is a perspective view of a handle for barbecue grill showing our new design;
FIG. 2 is a rear elevational view thereof;
FIG. 3 is right side elevational view thereof;
FIG. 4 is a left side elevational view thereof;
FIG. 5 is a top plan view thereof; and,
FIG. 6 is a bottom plan view thereof.

1 Claim, 2 Drawing Sheets



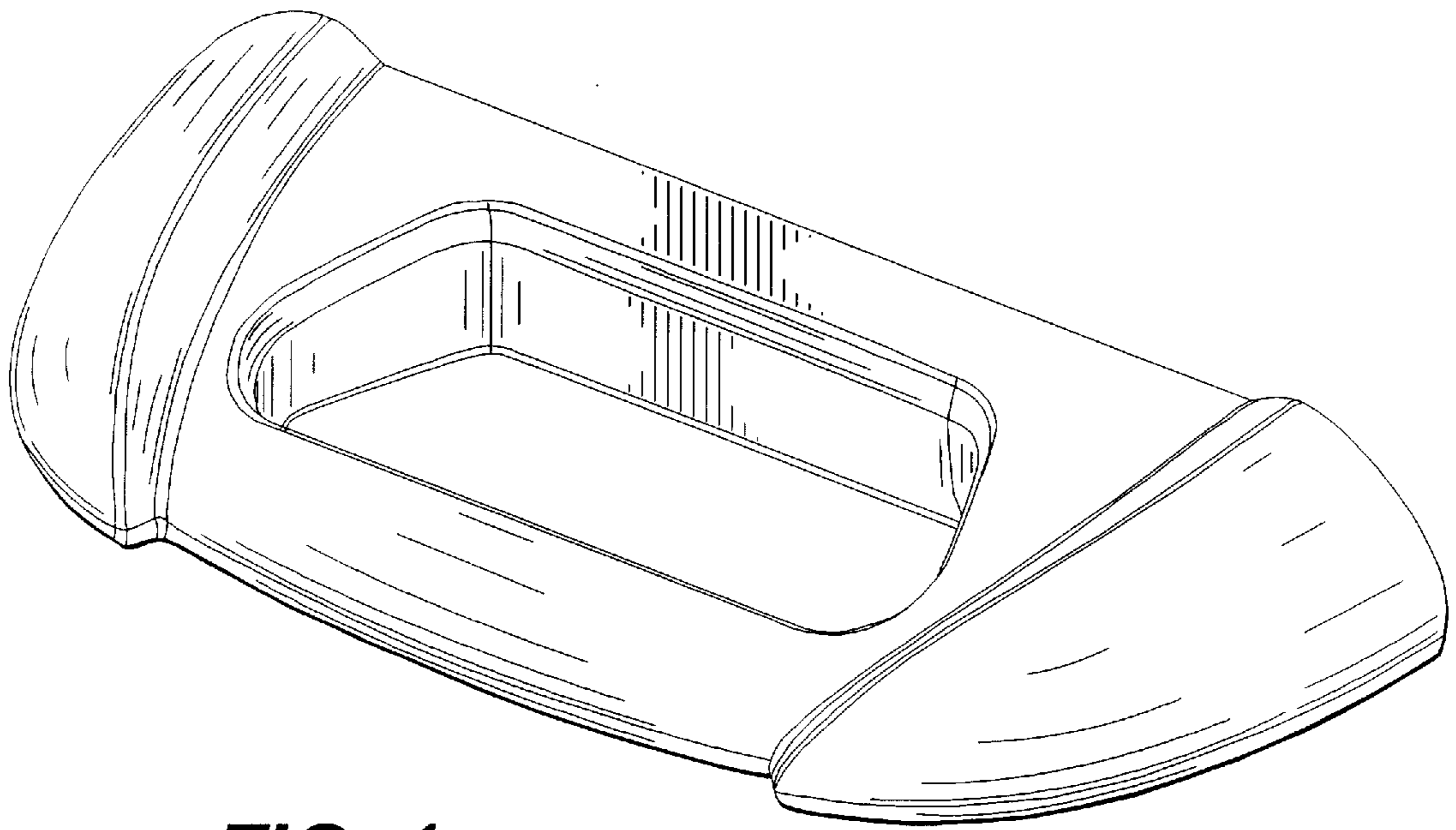


FIG. 1

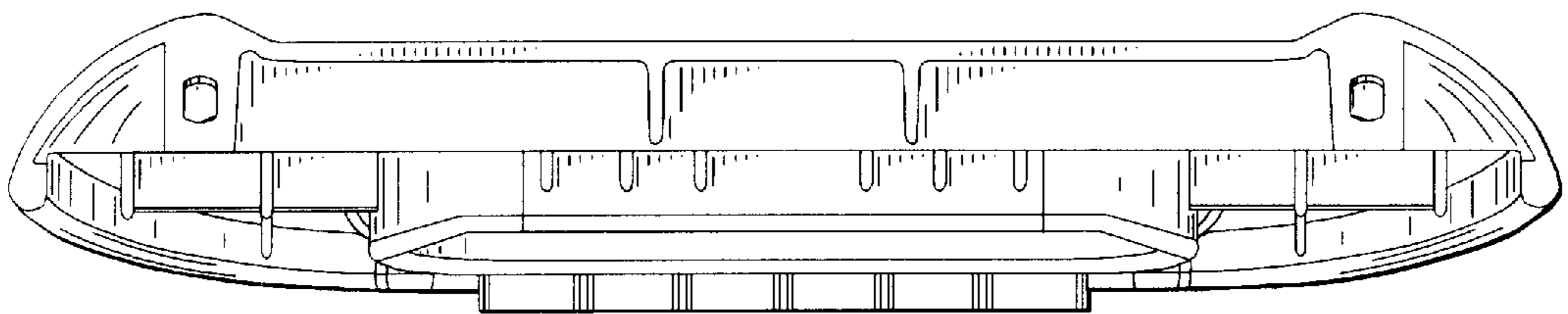


FIG. 2

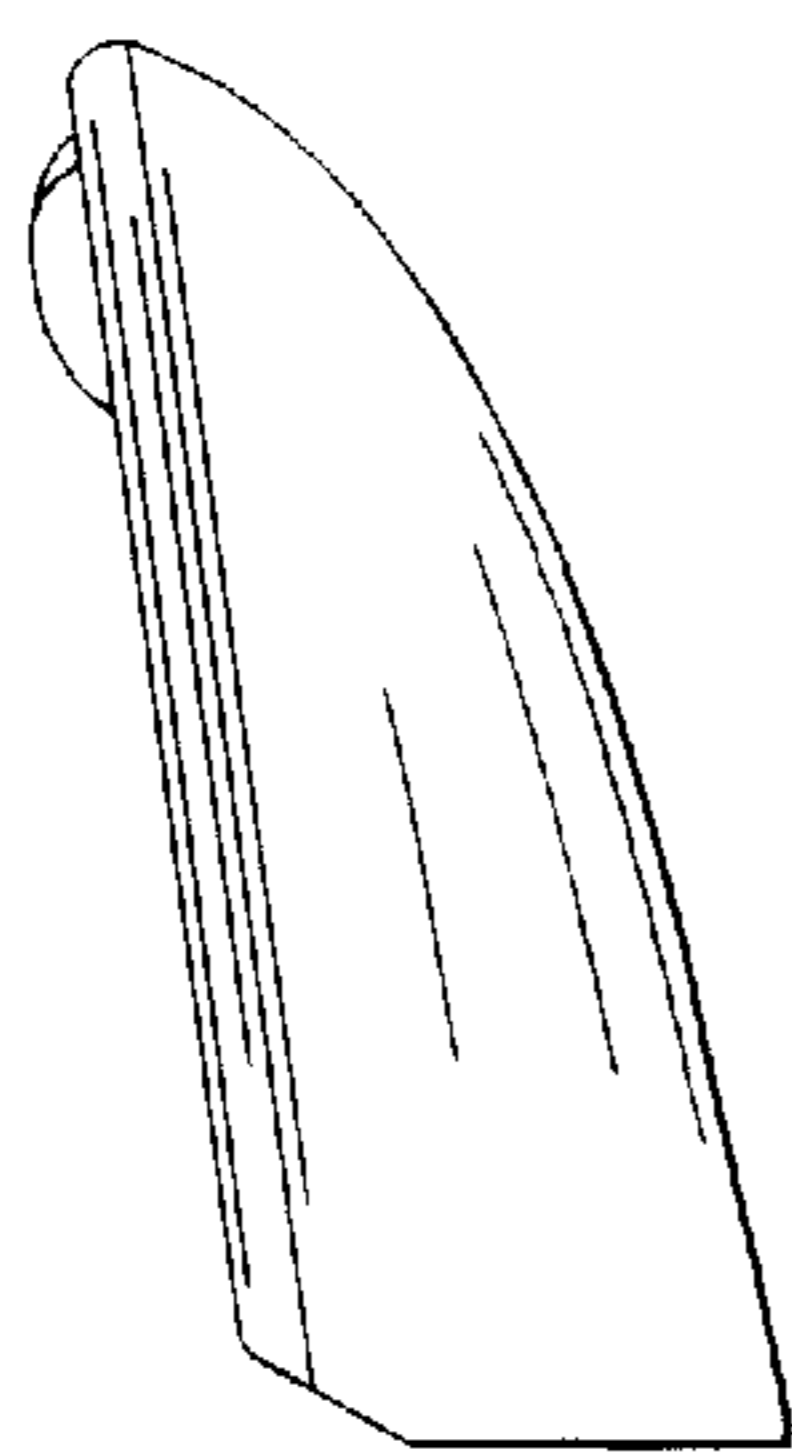


FIG. 3

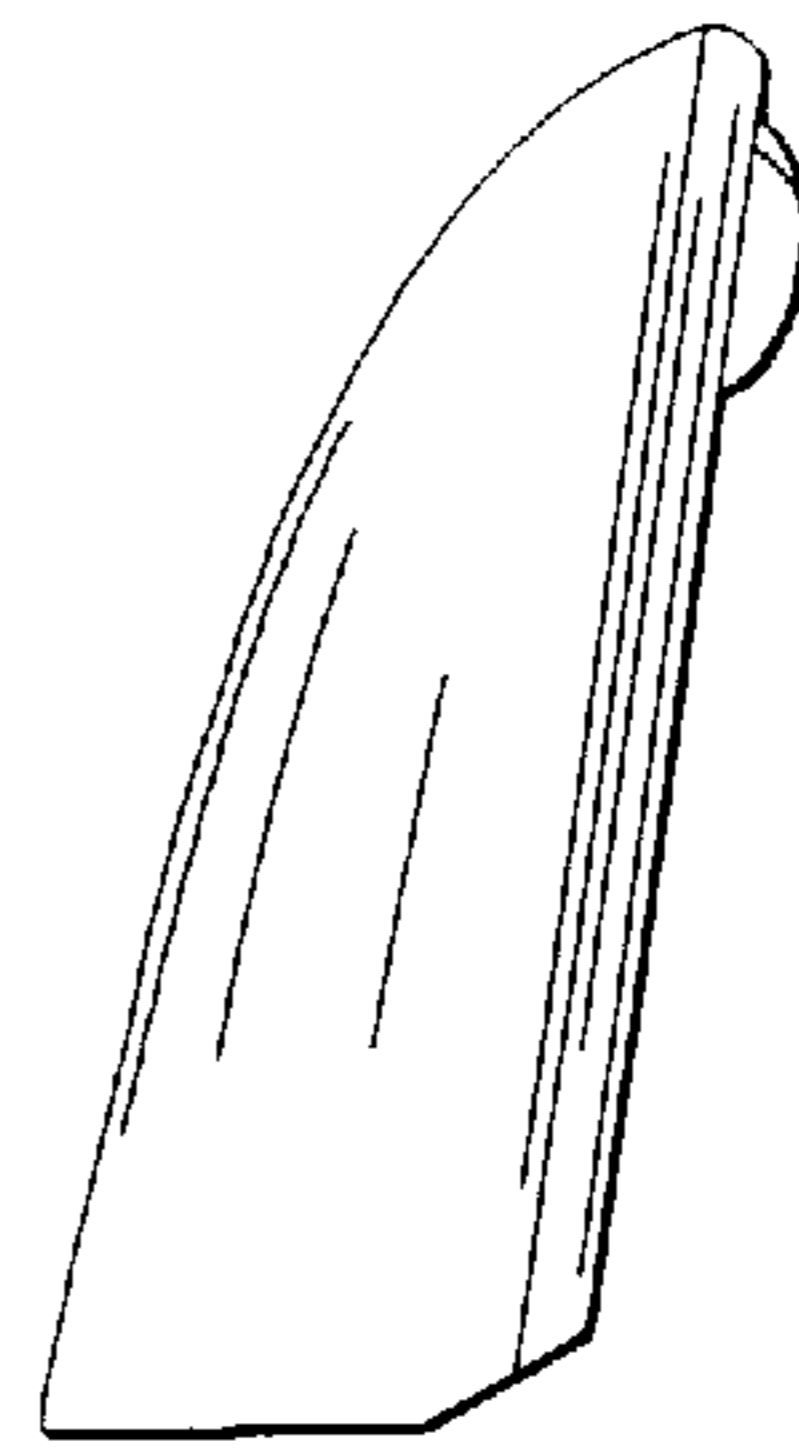


FIG. 4

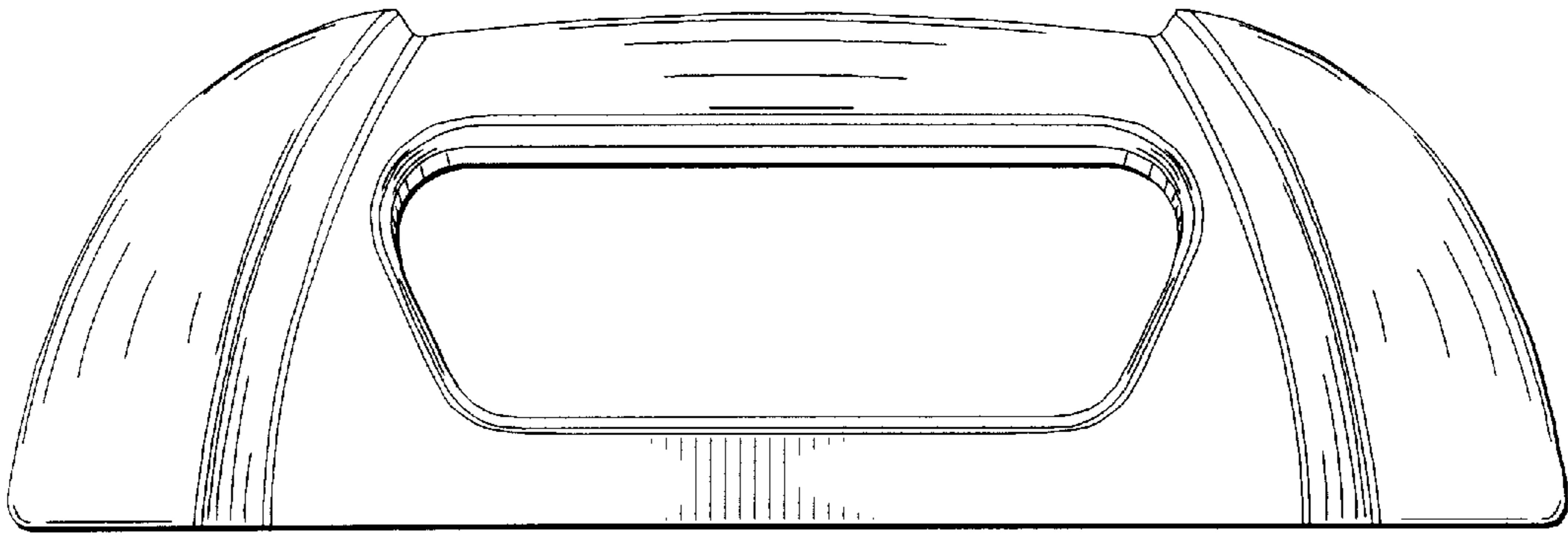


FIG. 5

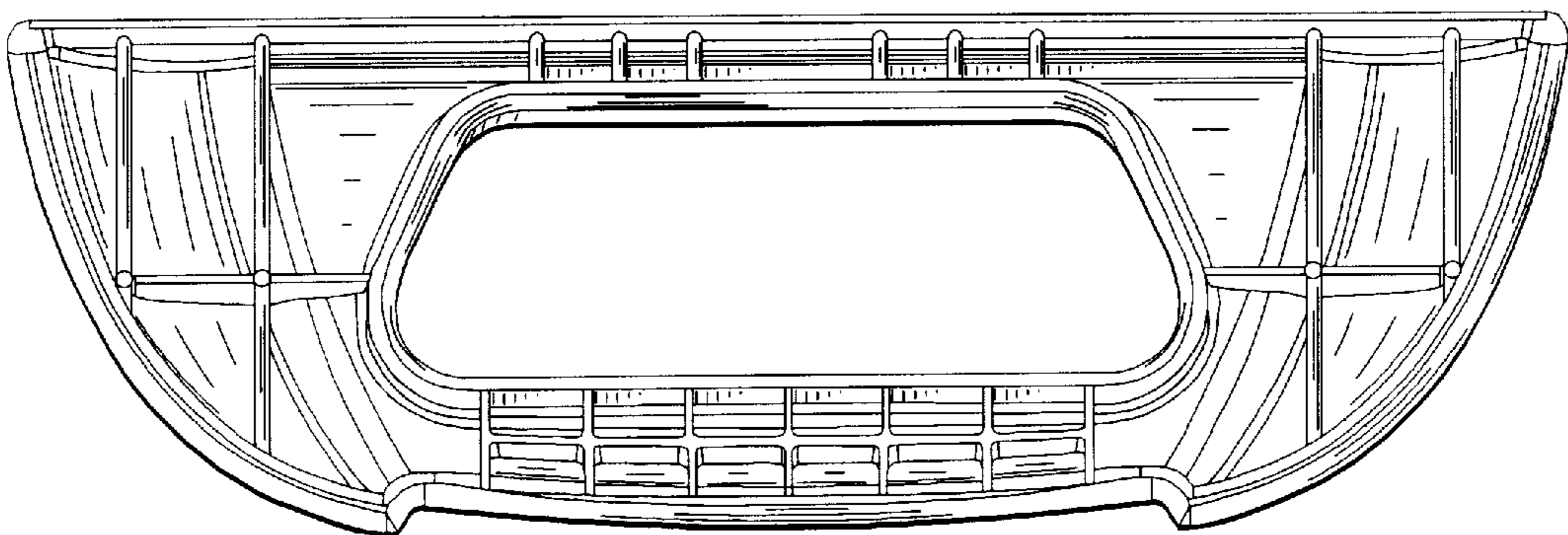


FIG. 6