



US00D405641S

# United States Patent [19]

Brady

[11] Patent Number: **Des. 405,641**

[45] Date of Patent: **\*\*Feb. 16, 1999**

[54] **KITCHENWARE ITEM, SUCH AS COFFEE MAKER, WITH TIERED LID**

D. 384,540 10/1997 Joergensen ..... D7/317 X  
D. 386,040 11/1997 Joergensen ..... D7/317  
D. 388,275 12/1997 Joergensen ..... D7/317 X

[76] Inventor: **Frank A. Brady**, 3166 Blackhawk Meadows Dr., Danville, Calif. 94506

### OTHER PUBLICATIONS

King insulated Pitchers sell sheet Yn Hwang Taiwan, 1996.  
French Press Coffee Maker, Bon Jour, Nov. 1996.

[\*\*] Term: **14 Years**

*Primary Examiner*—M. N. Pandozzi  
*Attorney, Agent, or Firm*—Limbach & Limbach L.L.P.

[21] Appl. No.: **81,592**

[22] Filed: **Jan. 7, 1998**

### [57] CLAIM

[51] **LOC (6) Cl.** ..... **07-01**

[52] **U.S. Cl.** ..... **D7/319; D7/317**

[58] **Field of Search** ..... D7/312, 316, 317, D7/318, 319, 300, 321; 222/465.1

The ornamental design for a kitchenware item, such as coffee maker, with tiered lid, as shown and described.

### DESCRIPTION

### [56] References Cited

#### U.S. PATENT DOCUMENTS

D. 297,900 10/1988 Huang ..... D7/319 X  
D. 342,414 12/1993 Joergensen ..... D7/317  
D. 343,333 1/1994 Joergensen ..... D7/316 X  
D. 352,212 11/1994 Burton ..... D7/319 X  
D. 372,627 8/1996 Ireland ..... D7/319  
D. 377,132 1/1997 Joergensen ..... D7/319 X  
D. 382,764 8/1997 Brady ..... D7/316 X

FIG. 1 is a perspective view of the kitchenware item showing the new, original, and ornamental design;  
FIG. 2 is a top plan view thereof;  
FIG. 3 is a front elevational view thereof, the rear elevational view being a mirror image thereof;  
FIG. 4 is a side elevational view thereof; and,  
FIG. 5 is a bottom plan view thereof, at an enlarged scale.

**1 Claim, 3 Drawing Sheets**

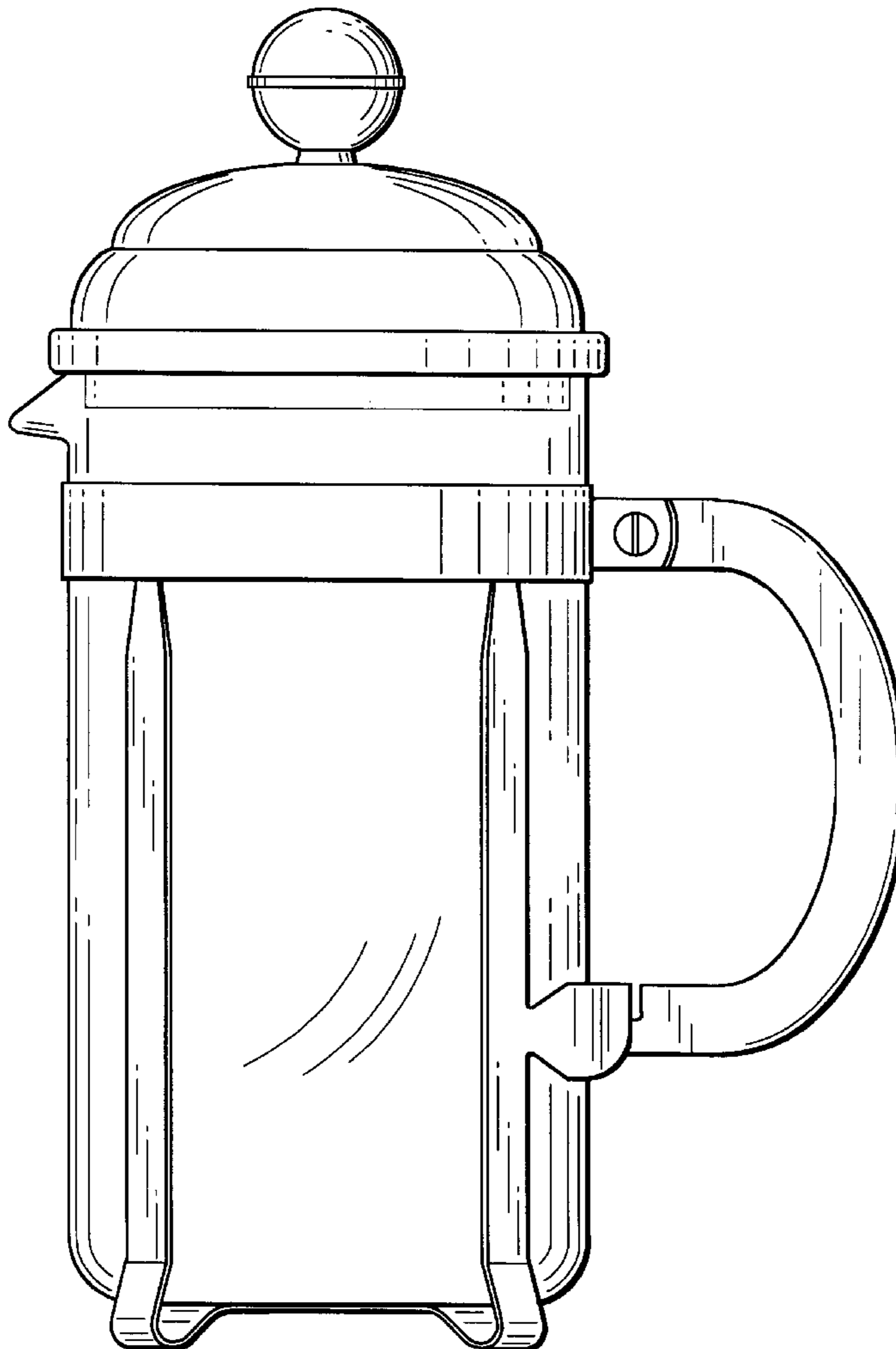




FIG. 1

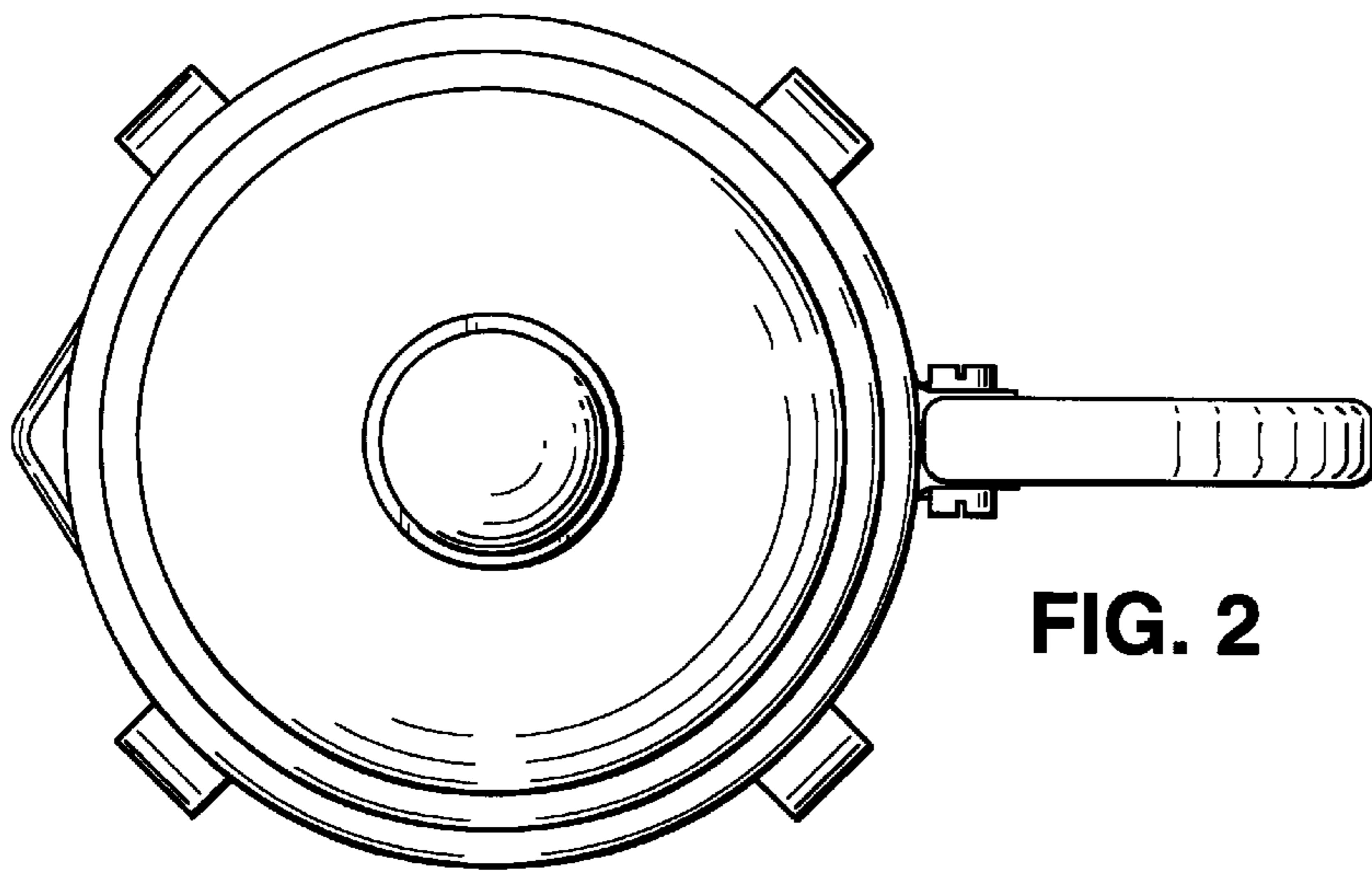


FIG. 2

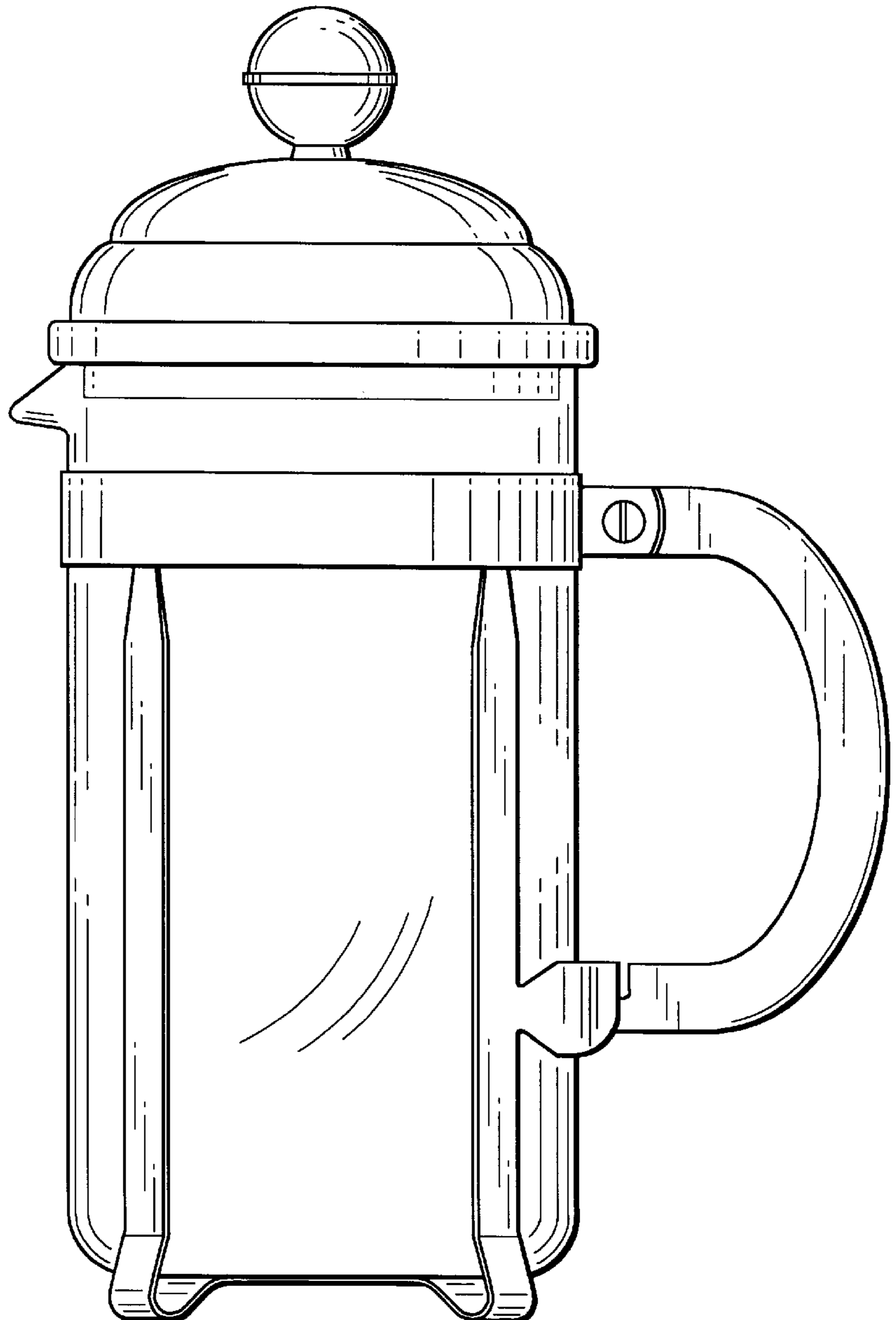


FIG. 3

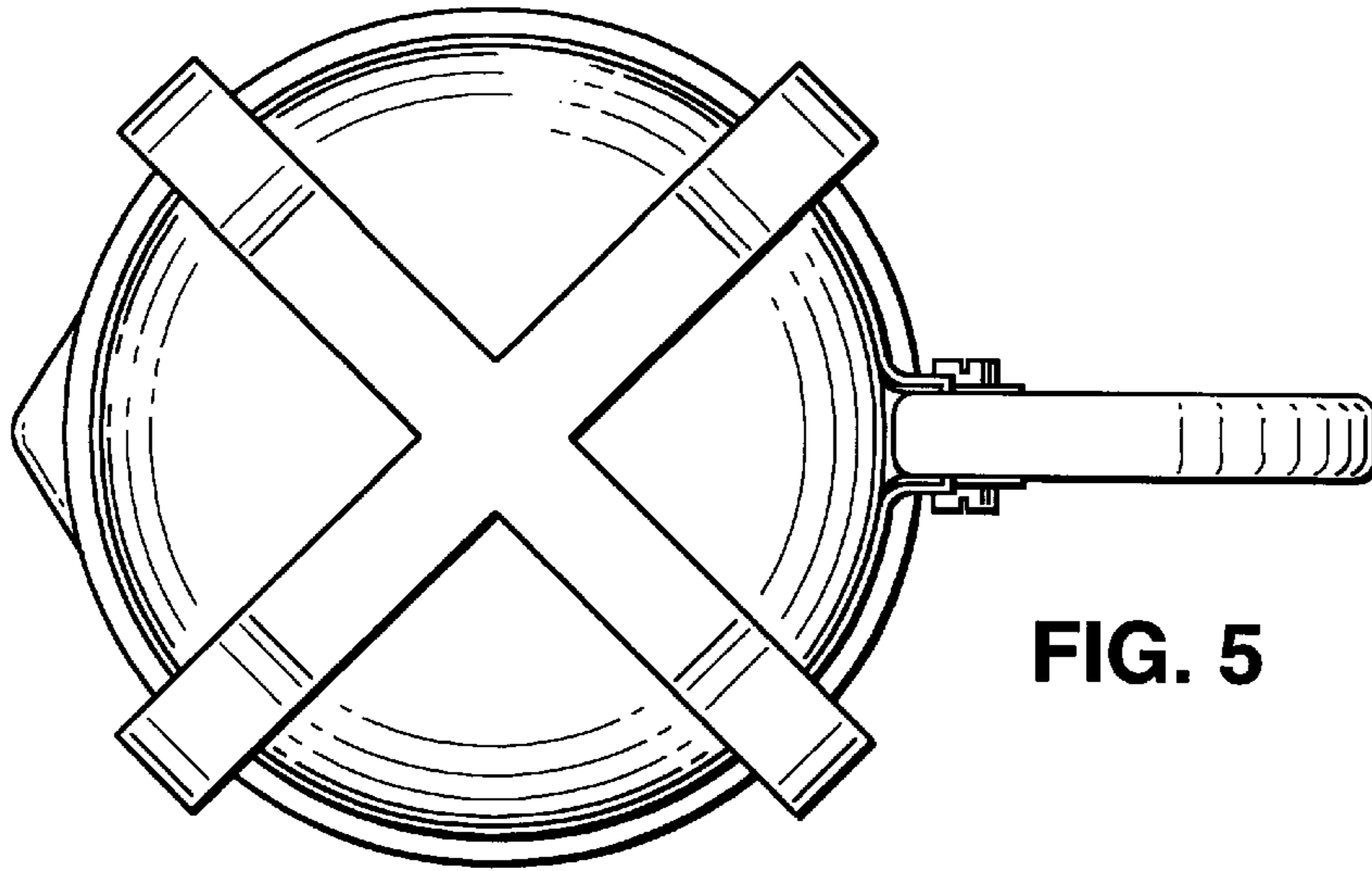


FIG. 5

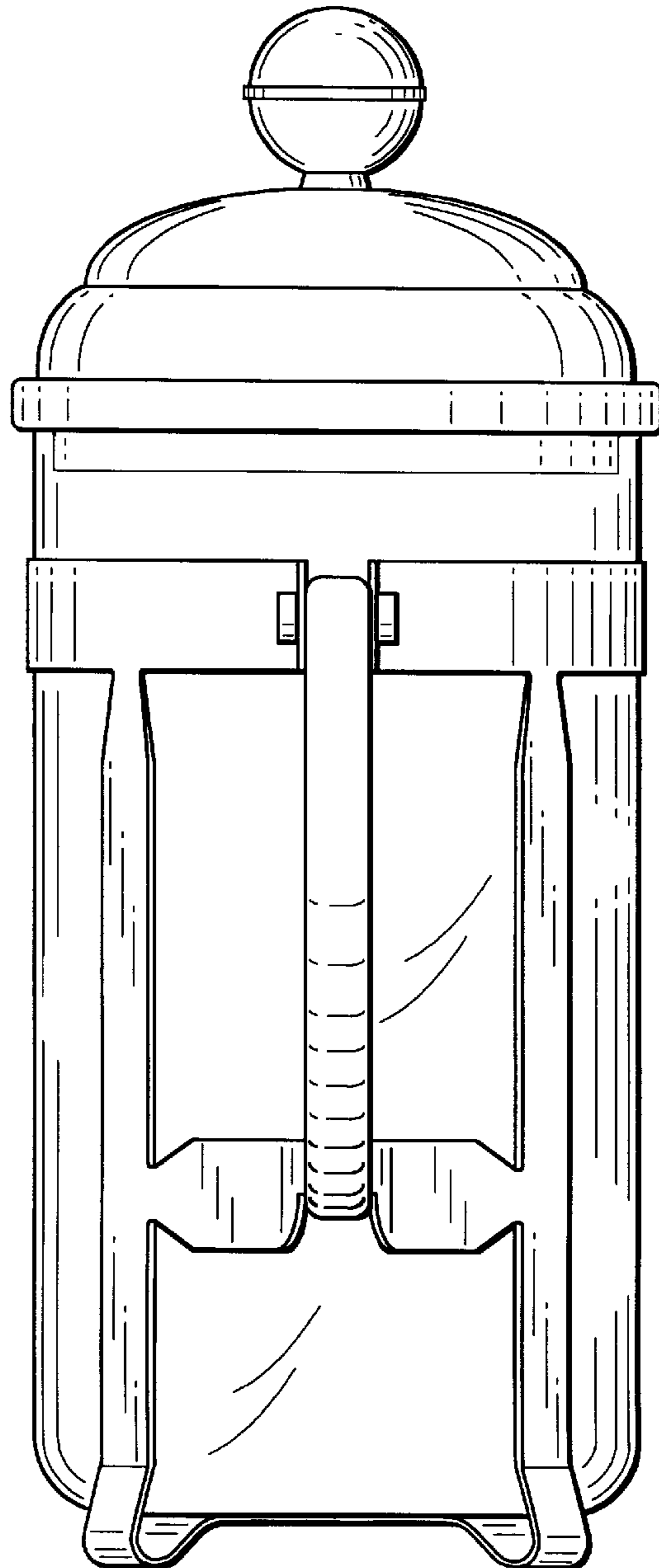


FIG. 4