



US00D405639S

**United States Patent** [19]  
**Clark et al.**

[11] **Patent Number: Des. 405,639**

[45] **Date of Patent: \*\*Feb. 16, 1999**

[54] **BASEBALL CUP**

[76] Inventors: **David C. Clark**, 25727 W. Outer Dr.;  
**Victor T. Clark, Jr.**, 3368 Ethel, both  
of Detroit, Mich. 48217

[\*\*] Term: **14 Years**

[21] Appl. No.: **66,584**

[22] Filed: **Feb. 13, 1997**

[51] **LOC (6) Cl.** ..... **07-01**

[52] **U.S. Cl.** ..... **D7/515; D7/510**

[58] **Field of Search** ..... D7/515, 514, 510,  
D7/511, 536, 619, 622, 625, 533; D9/307,  
309; D11/82; D24/197; 220/758

[56] **References Cited**

**U.S. PATENT DOCUMENTS**

D. 37,298	1/1905	Maddock	.....	D7/511
D. 283,009	3/1986	Jennette	.....	D7/515 X
D. 287,767	1/1987	Simmons	.....	D24/197
D. 292,462	10/1987	Petrsek	.....	D7/515
D. 292,991	12/1987	Adler	.....	D9/307 X
D. 339,955	10/1993	Katz	.....	D7/510 X
D. 340,075	10/1993	Turner	.....	D9/307
D. 372,836	8/1996	Hurst et al.	.....	D7/514 X
D. 375,226	11/1996	Blankenburg et al.	.....	D7/533 X
D. 376,730	12/1996	Hurst et al.	.....	D7/514 X
4,339,062	7/1982	Witt, Jr.	.....	D7/619 X

**OTHER PUBLICATIONS**

Baseball mug, Taylor Gifts 1986, p. 92.

*Primary Examiner*—M. N. Pandozzi  
*Attorney, Agent, or Firm*—Gifford, Krass, Groh, Sprinkle,  
Patmore, Anderson & Citkowski, P.C.

[57] **CLAIM**

The ornamental design for a baseball cup, as shown and described.

**DESCRIPTION**

FIG. 1 is a top plan view of a baseball cup showing my new design;

FIG. 2 is a right side elevational view thereof;

FIG. 3 is a bottom plan view thereof;

FIG. 4 is a left side elevational view thereof;

FIG. 5 is a rear elevational view thereof;

FIG. 6 is a front elevational view thereof;

FIG. 7 is a top plan view of a baseball cup showing a second embodiment of my new design;

FIG. 8 is a right side elevational view of the second embodiment;

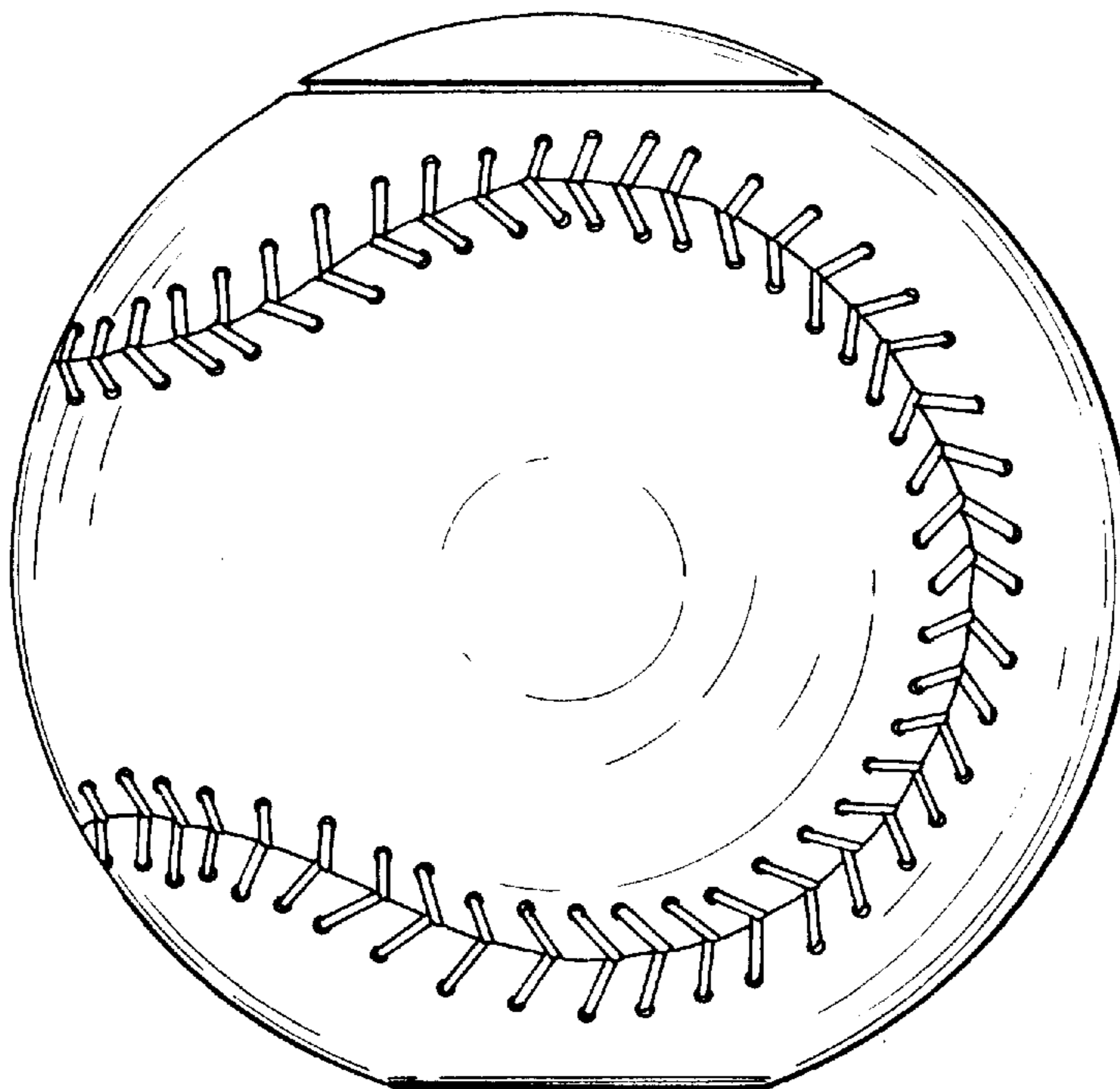
FIG. 9 is a bottom plan view of the second embodiment;

FIG. 10 is a left side elevational view of the second embodiment;

FIG. 11 is a rear elevational view of the second embodiment; and,

FIG. 12 is a front elevational view of the second embodiment.

**1 Claim, 4 Drawing Sheets**



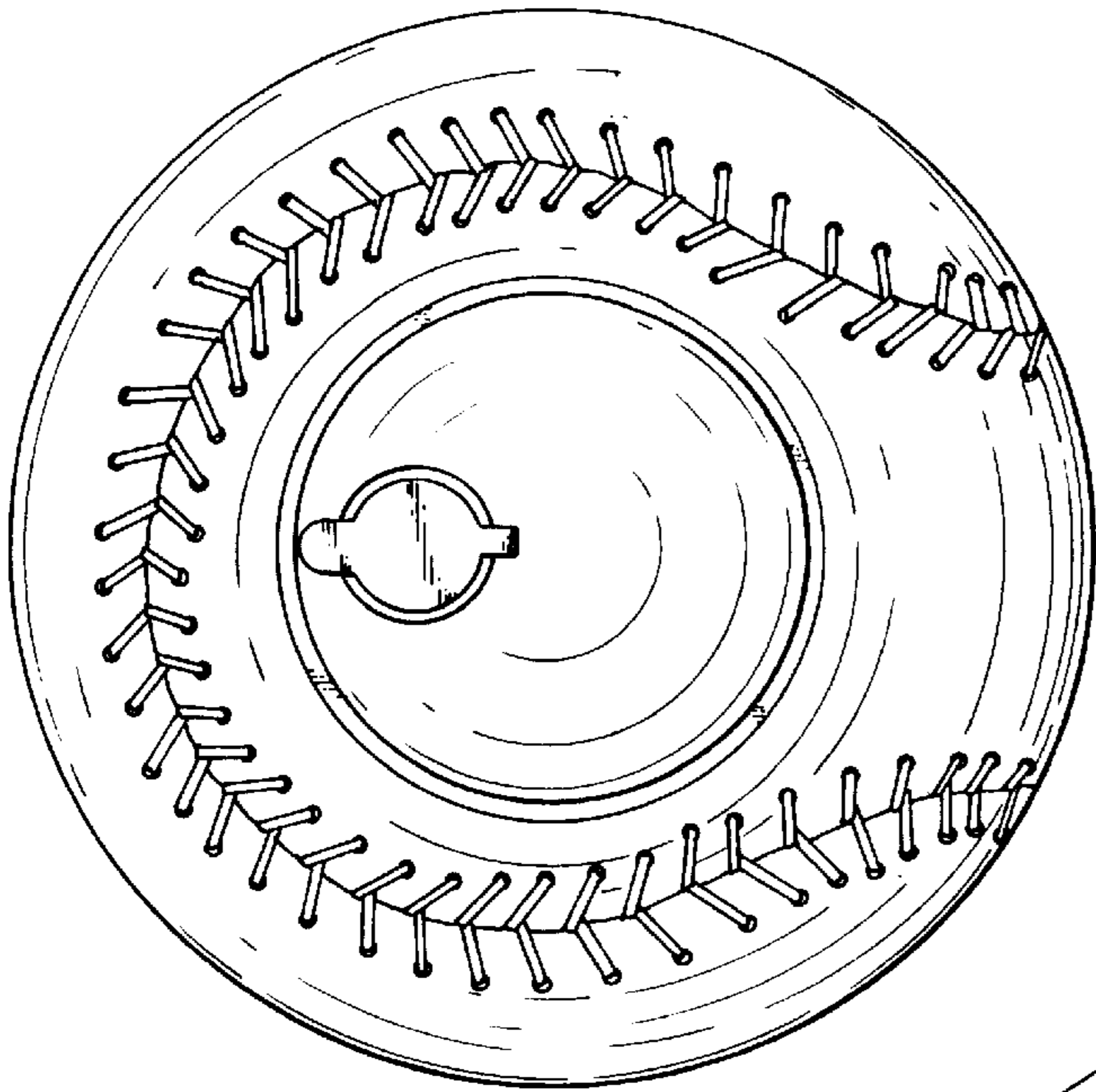


FIG-1

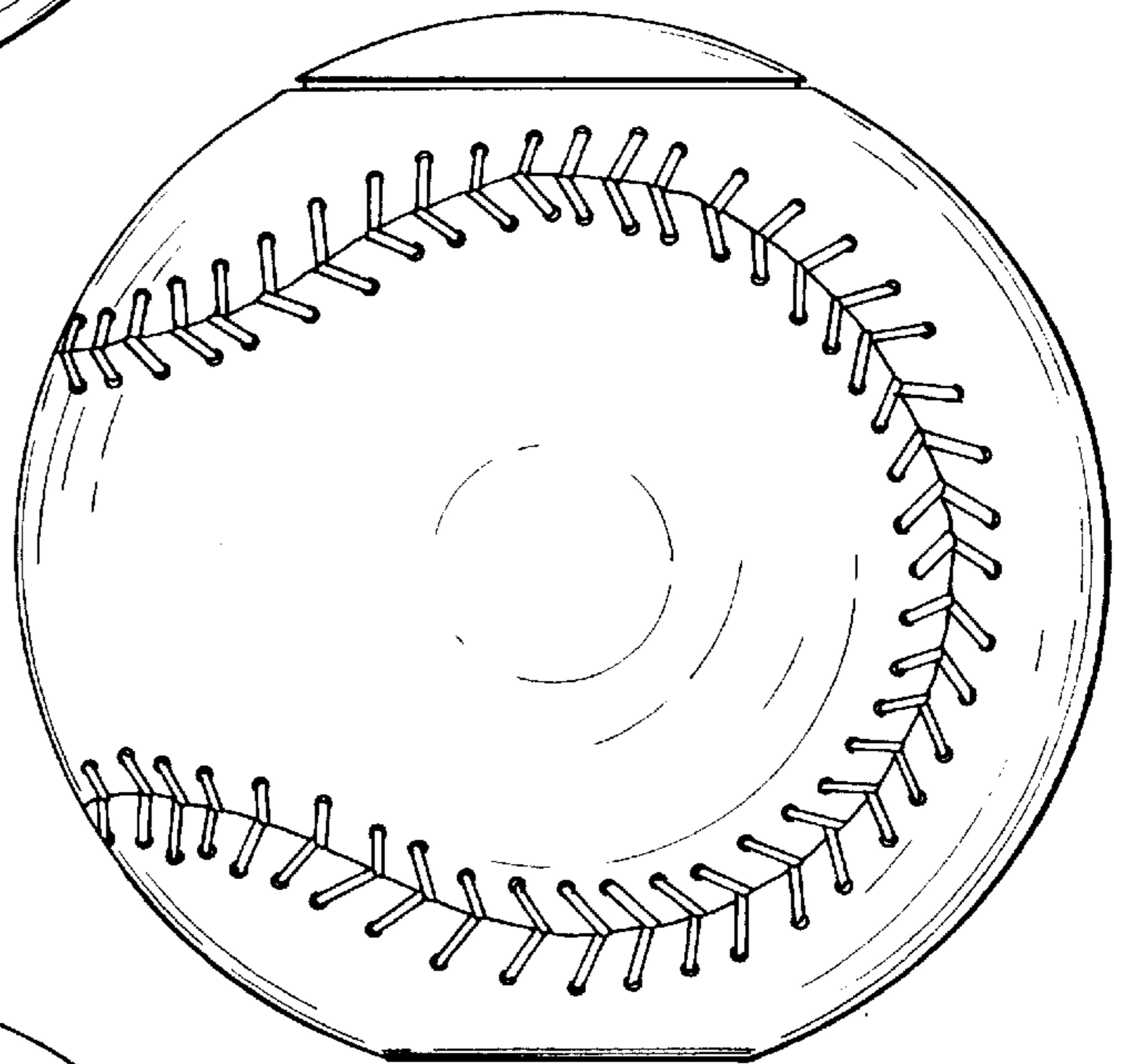


FIG-2

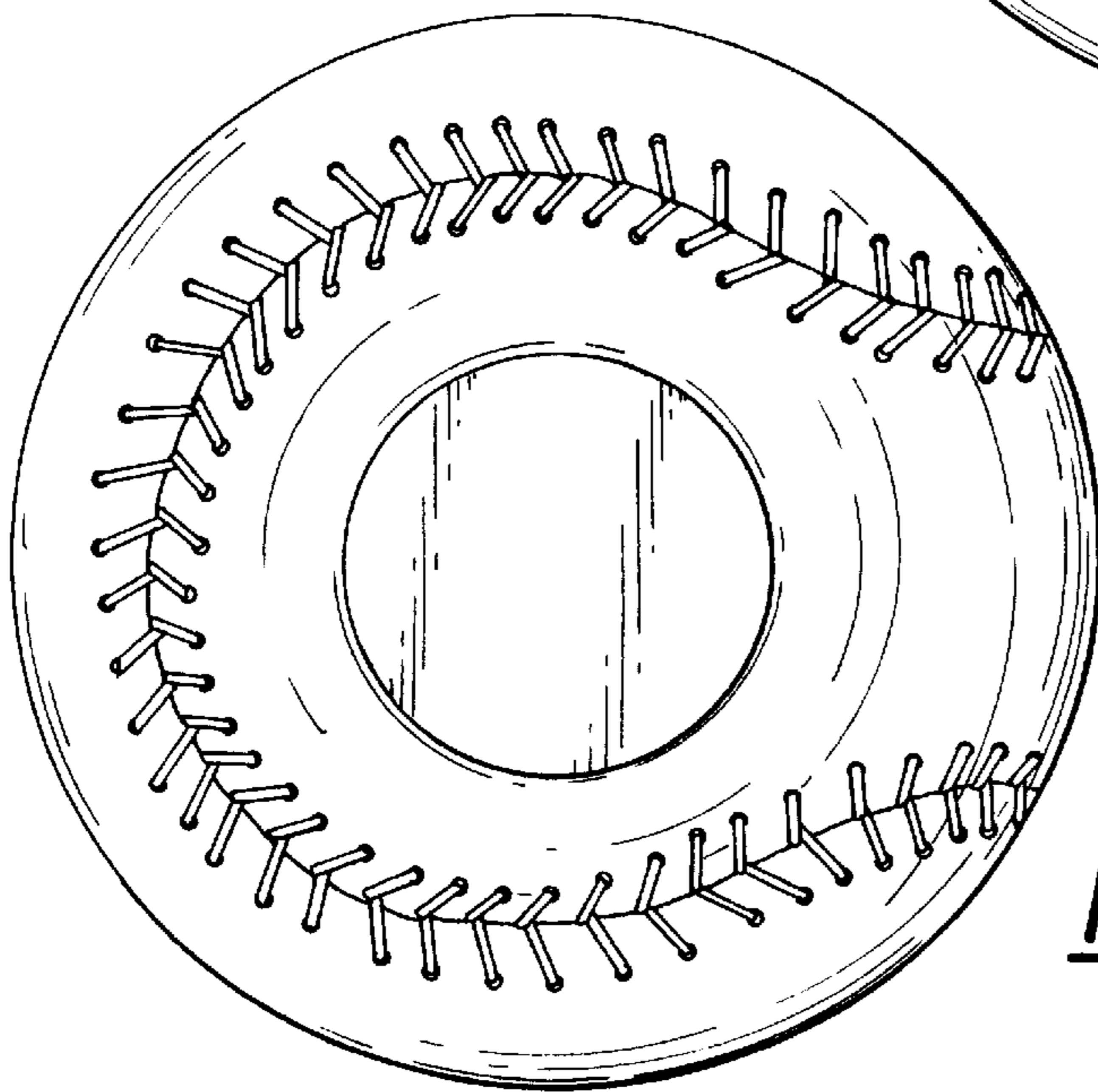


FIG-3

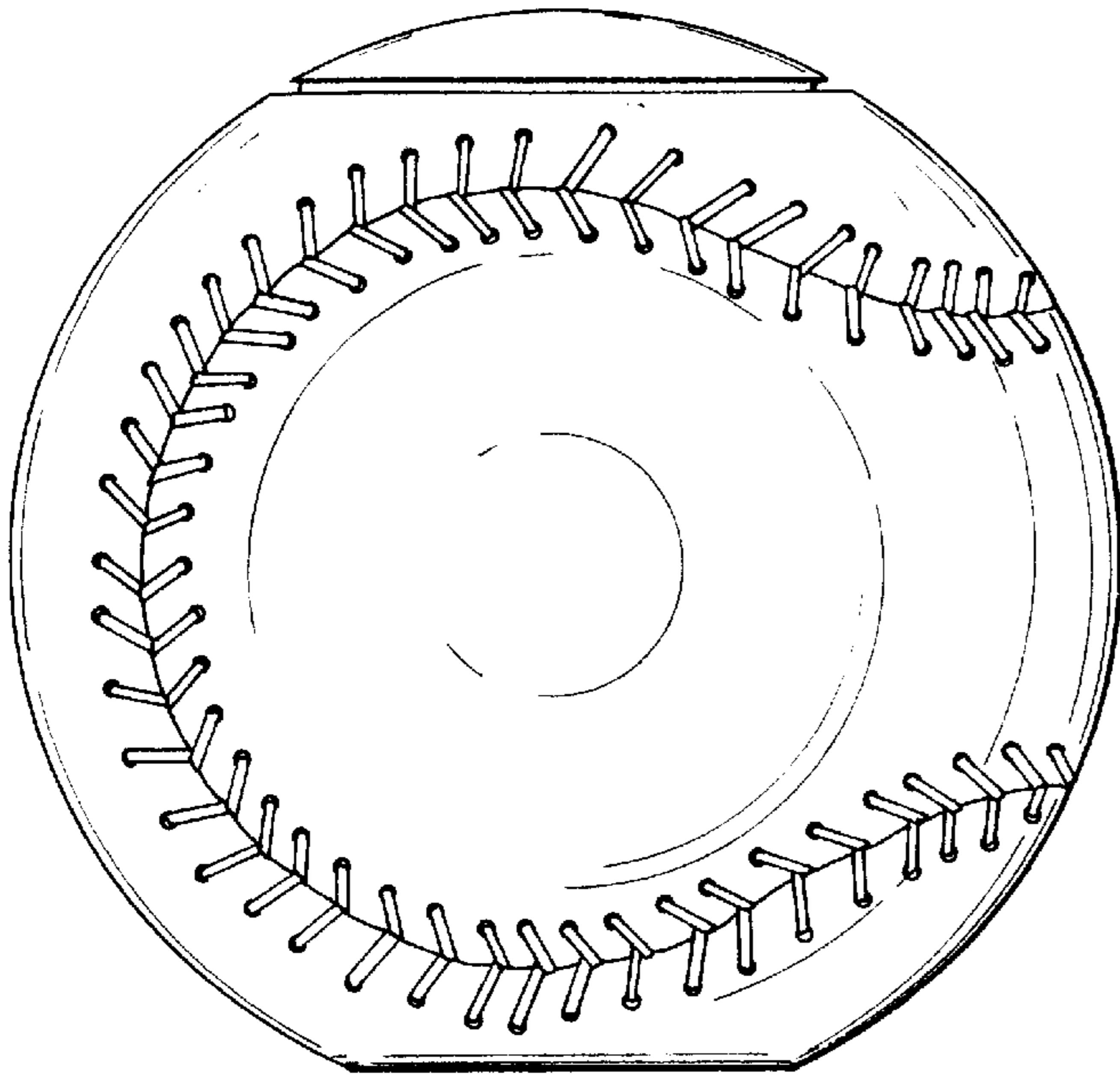


FIG-4

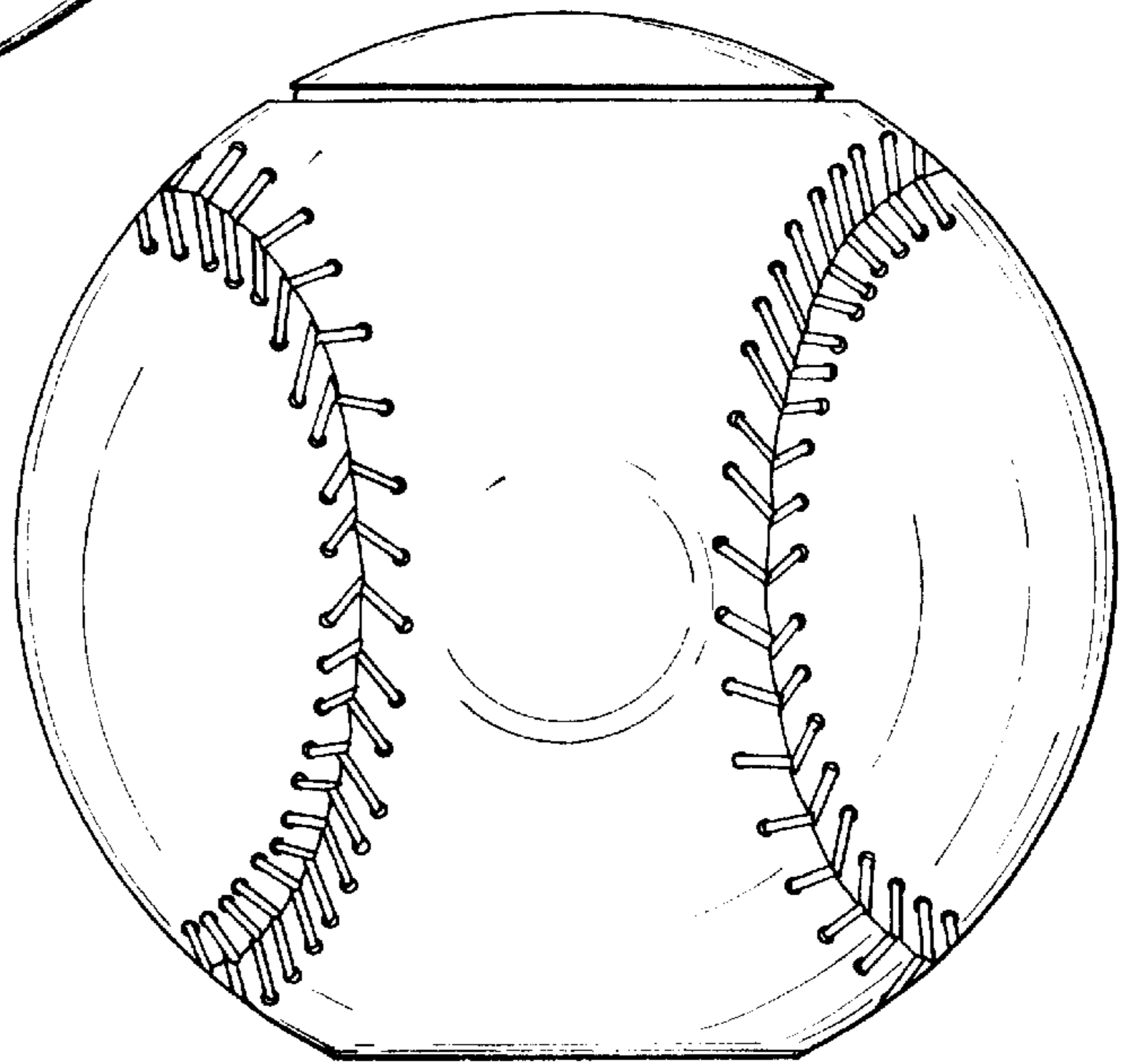


FIG-5

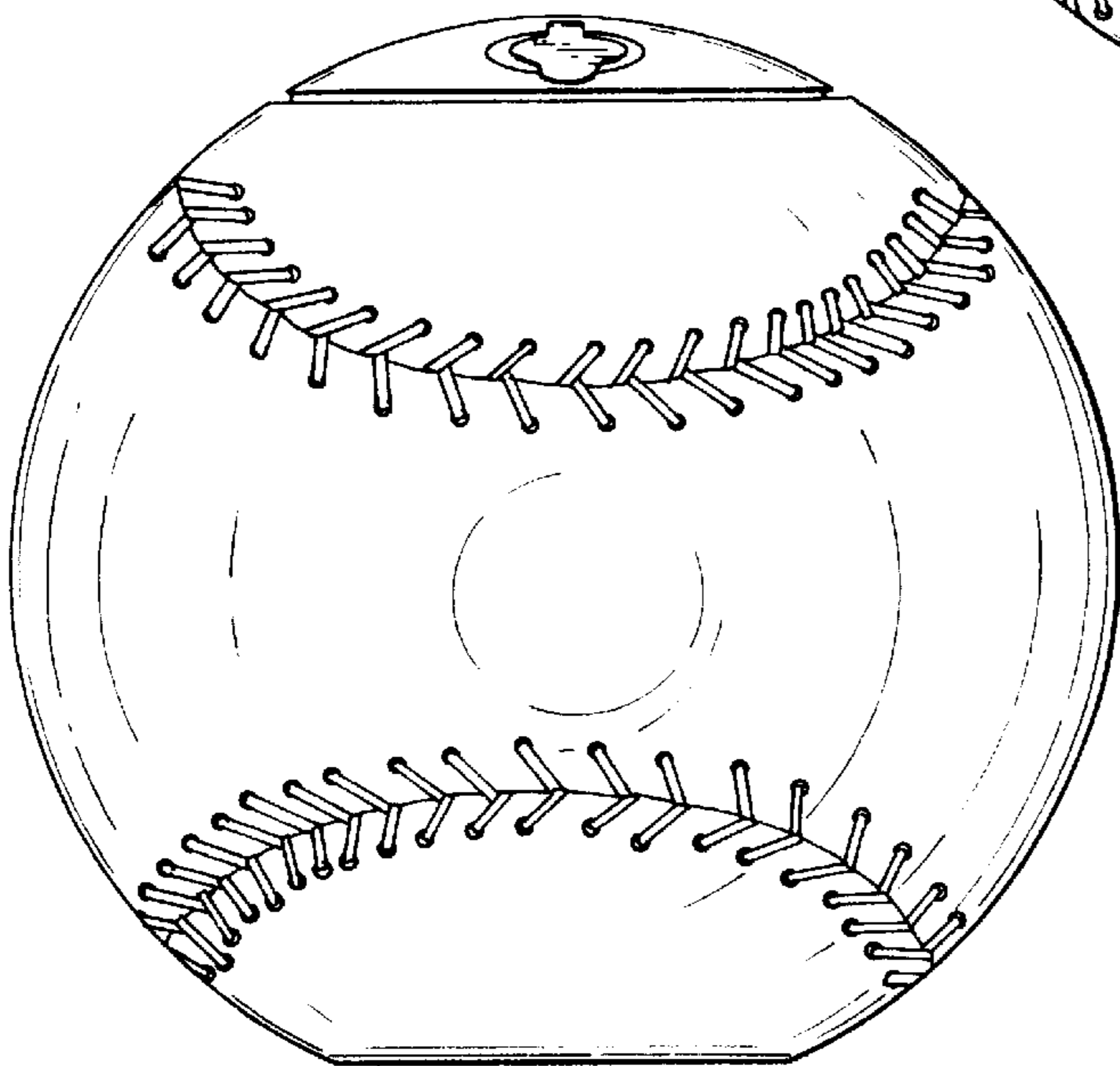


FIG-6

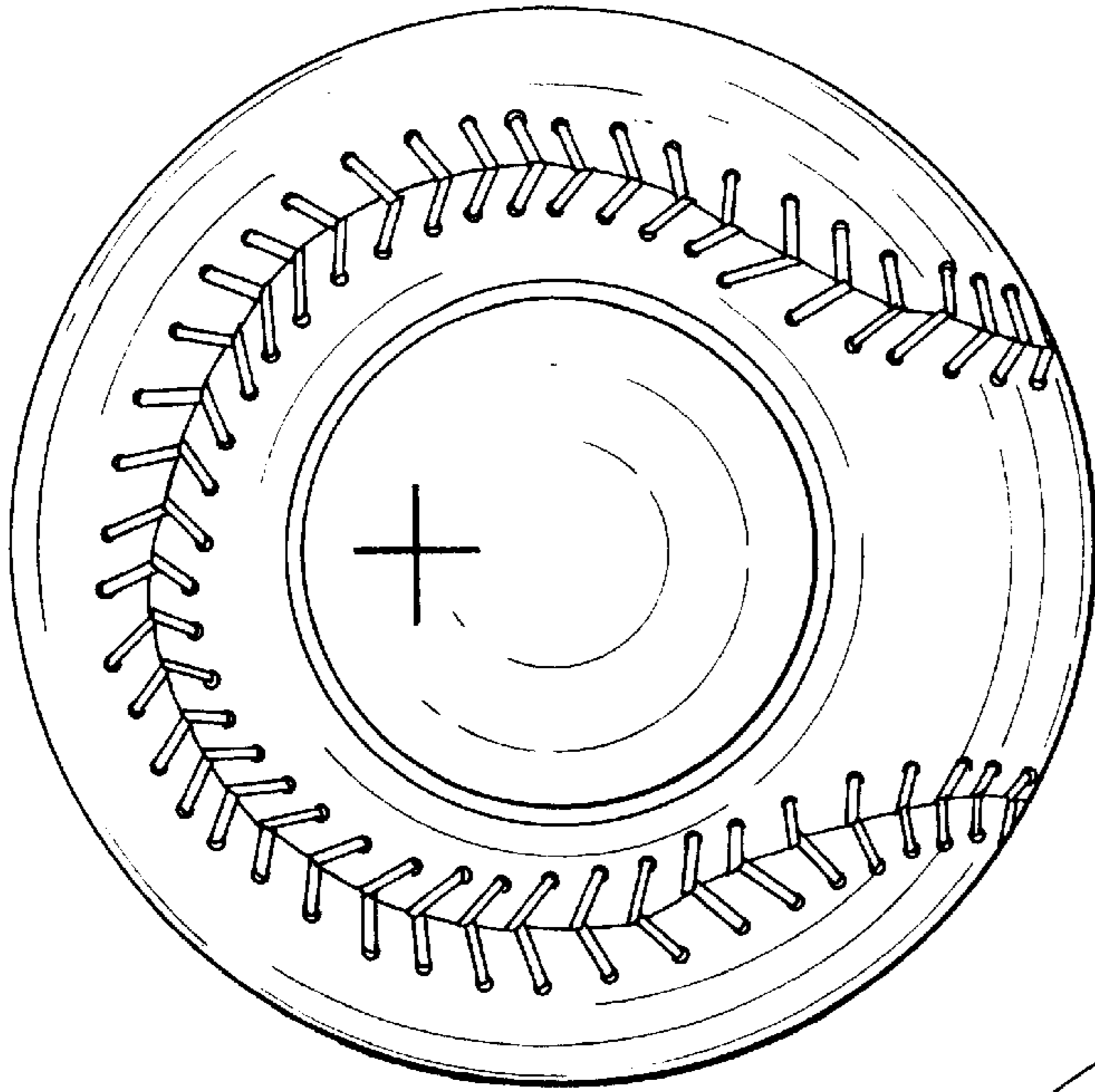


FIG-7

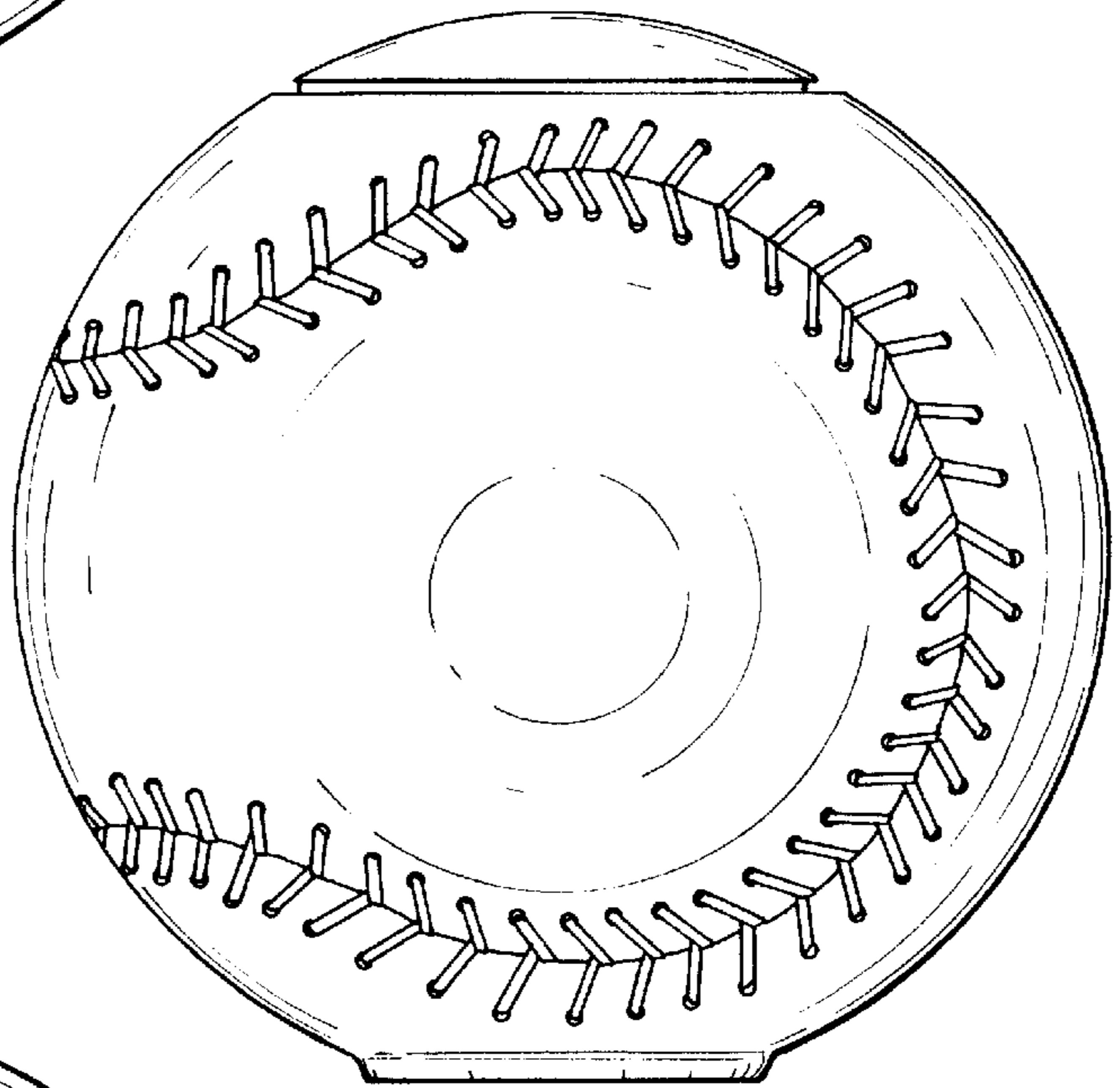


FIG-8

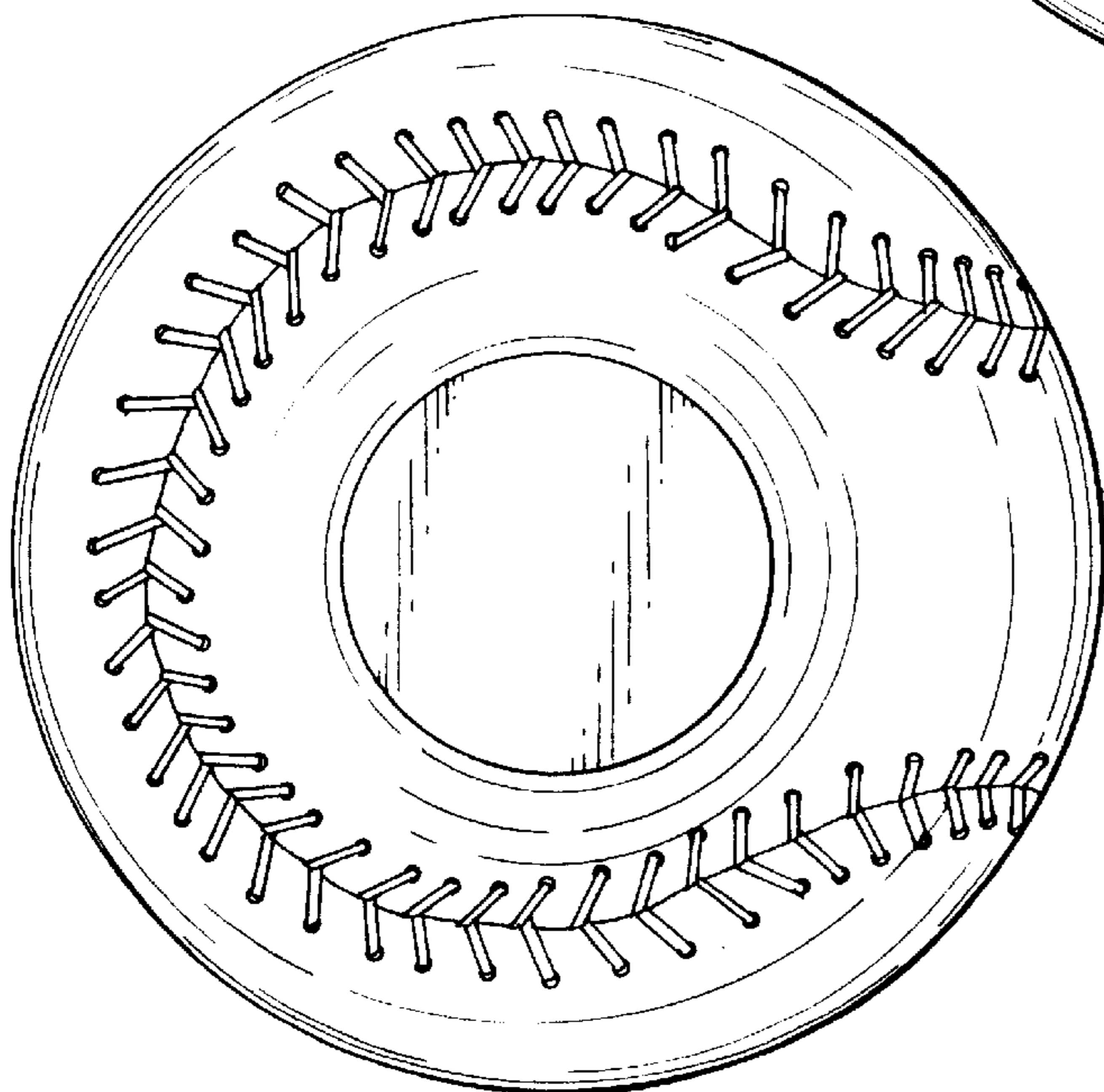


FIG-9

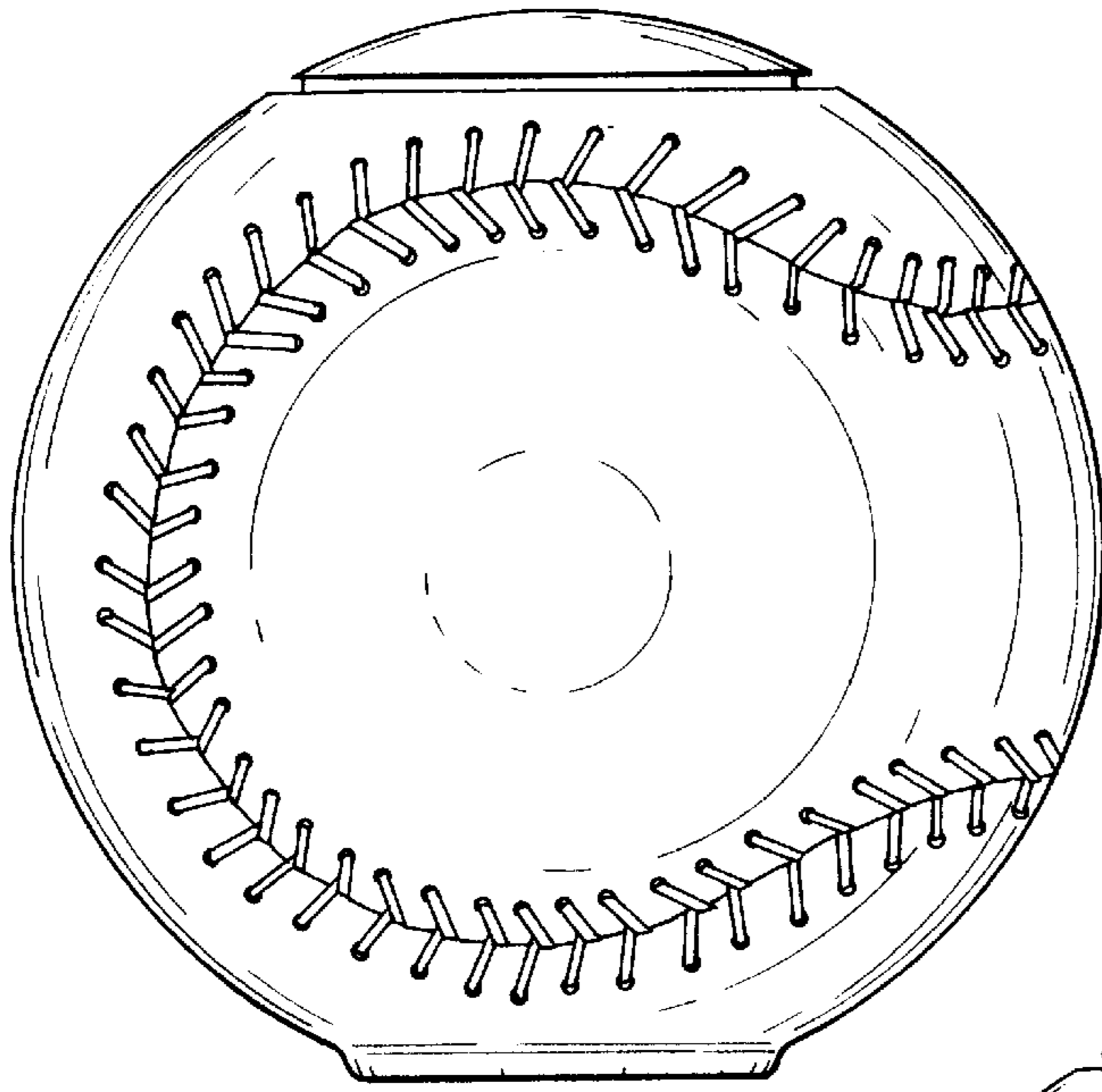


FIG-10

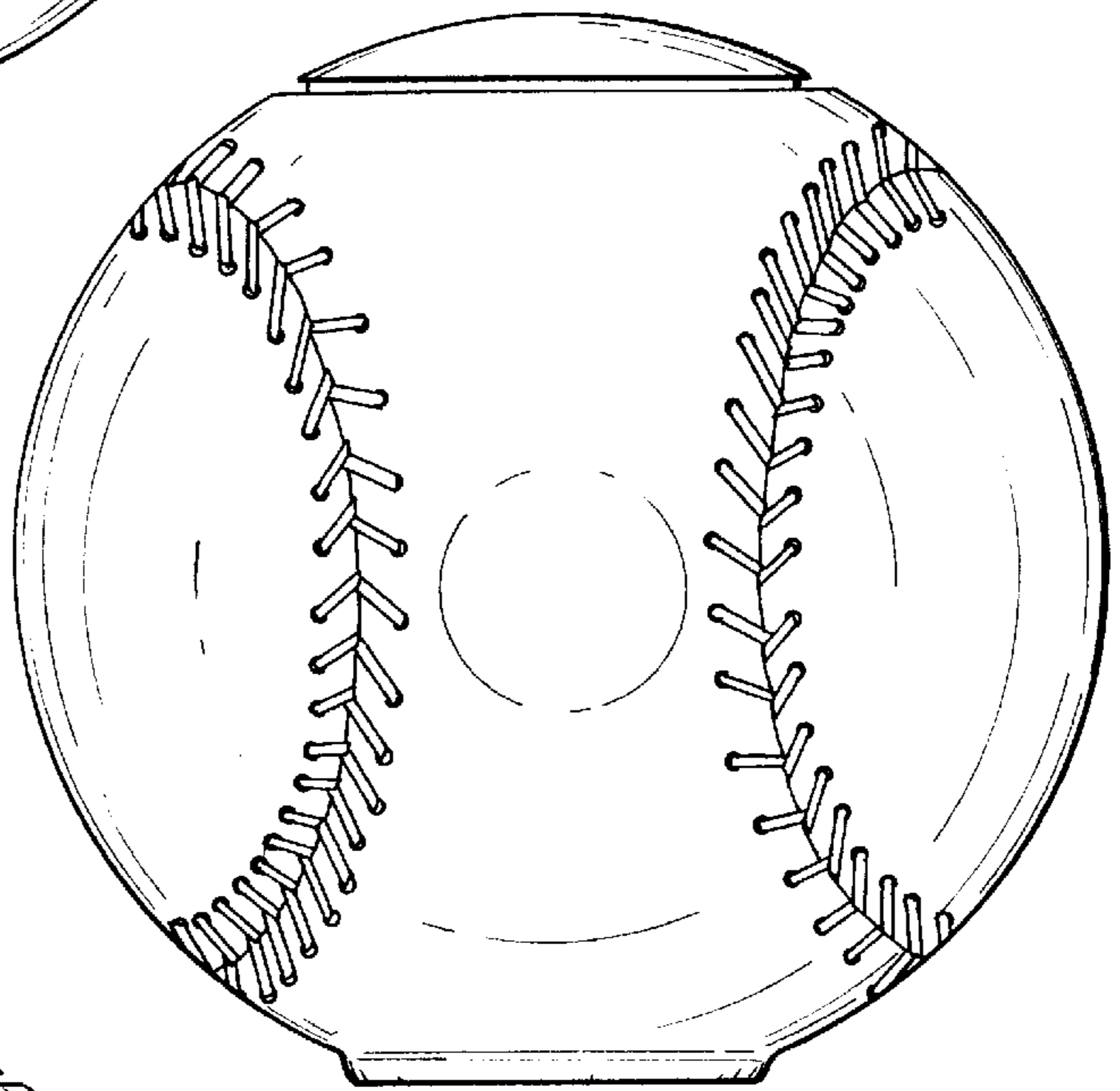


FIG-11

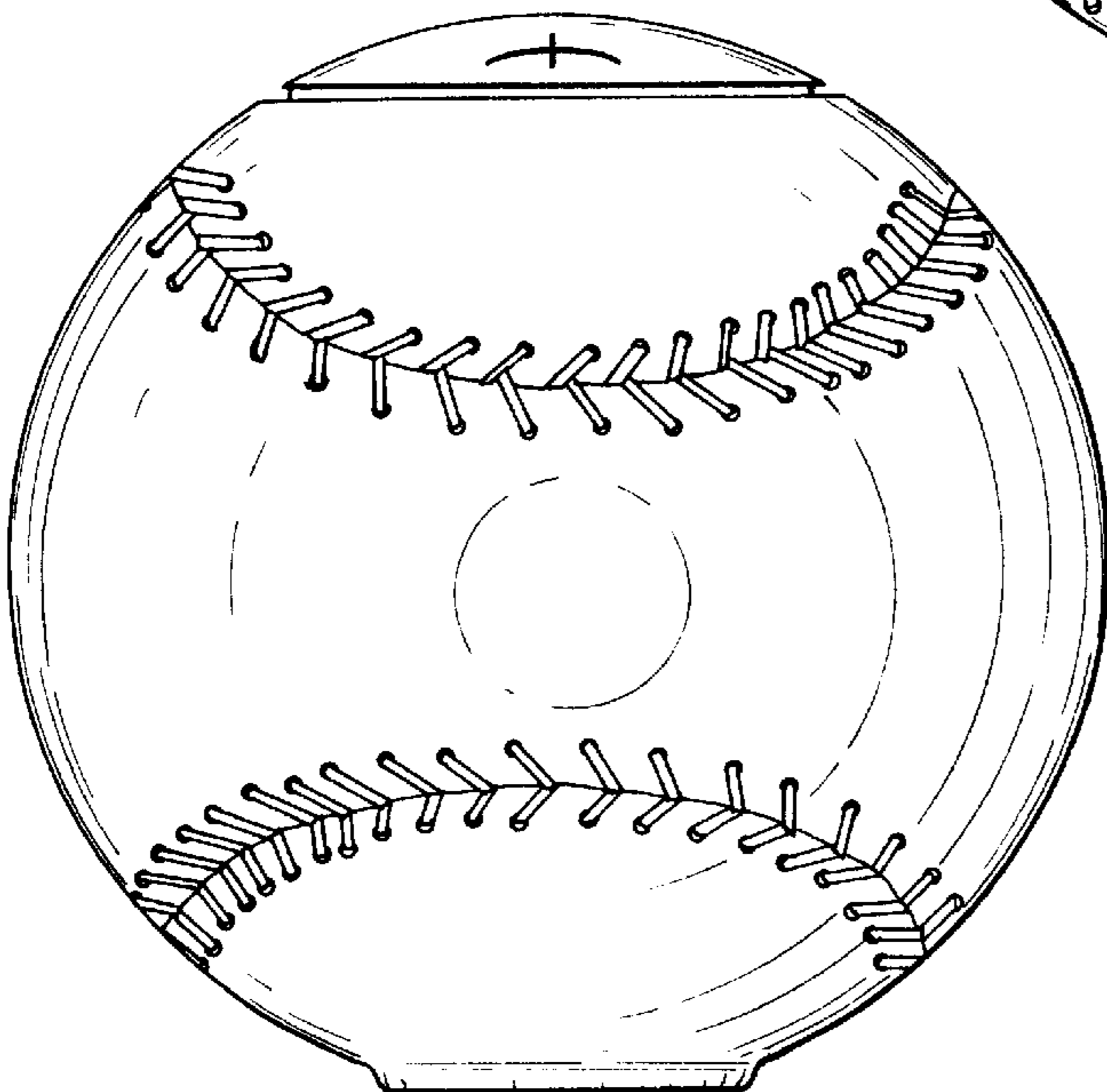


FIG-12