



US00D405633S

United States Patent [19]
Joergensen

[11] **Patent Number: Des. 405,633**

[45] **Date of Patent: **Feb. 16, 1999**

[54] **PAPER TOWEL HOLDER**

[75] Inventor: **Carsten Joergensen**, Kriens, Switzerland

[73] Assignee: **PI-Design AG**, Triengen, Switzerland

[**] Term: **14 Years**

[21] Appl. No.: **81,316**

[22] Filed: **Dec. 30, 1997**

[30] **Foreign Application Priority Data**

Aug. 7, 1997 [DK] Denmark MA06911997

[51] **LOC (6) Cl.** **07-07**

[52] **U.S. Cl.** **D6/522**

[58] **Field of Search** D6/518, 521-523;
242/596.4, 597.4, 597.7, 612, 423.1

[56] **References Cited**

U.S. PATENT DOCUMENTS

D. 286,720 11/1986 Minuti D6/522

- D. 298,597 11/1988 Bell D6/522
- D. 306,809 3/1990 Joseph D6/522
- D. 340,822 11/1993 Morand D6/522
- D. 373,918 9/1996 Joergensen D6/522

Primary Examiner—Brian N. Vinson
Attorney, Agent, or Firm—Gary M. Nath; Nath & Associates

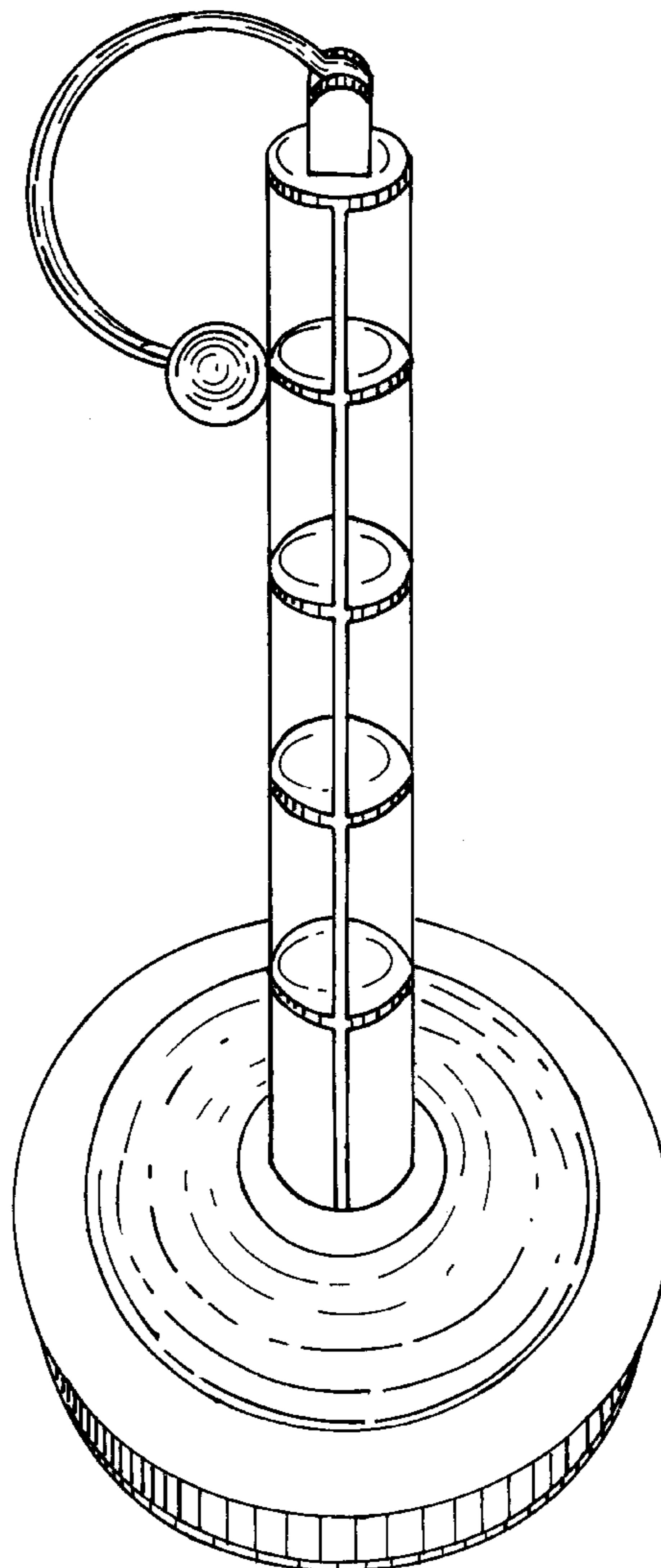
[57] **CLAIM**

The ornamental design for a paper towel holder, as shown and described.

DESCRIPTION

FIG. 1 is an oblique perspective view of the paper roll holder; FIG. 2 is a right side view of the paper roll holder, as shown in FIG. 1; FIG. 3 is a left side view of the paper roll holder; FIG. 4 is a front side view of the paper roll holder; FIG. 5 is a back side view of the paper roll holder; FIG. 6 is a top view of the paper roll holder; and, FIG. 7 is a bottom view of the paper roll holder.

1 Claim, 7 Drawing Sheets



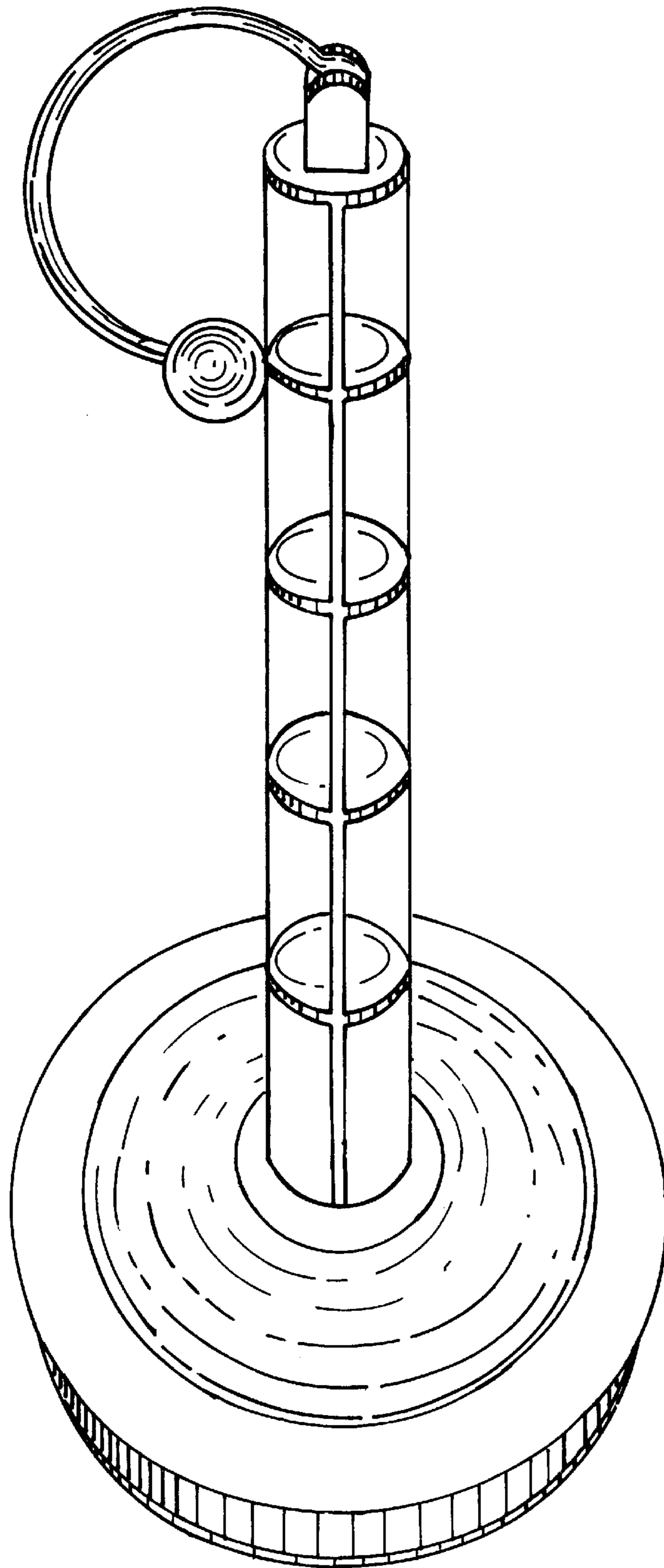


FIG. 1

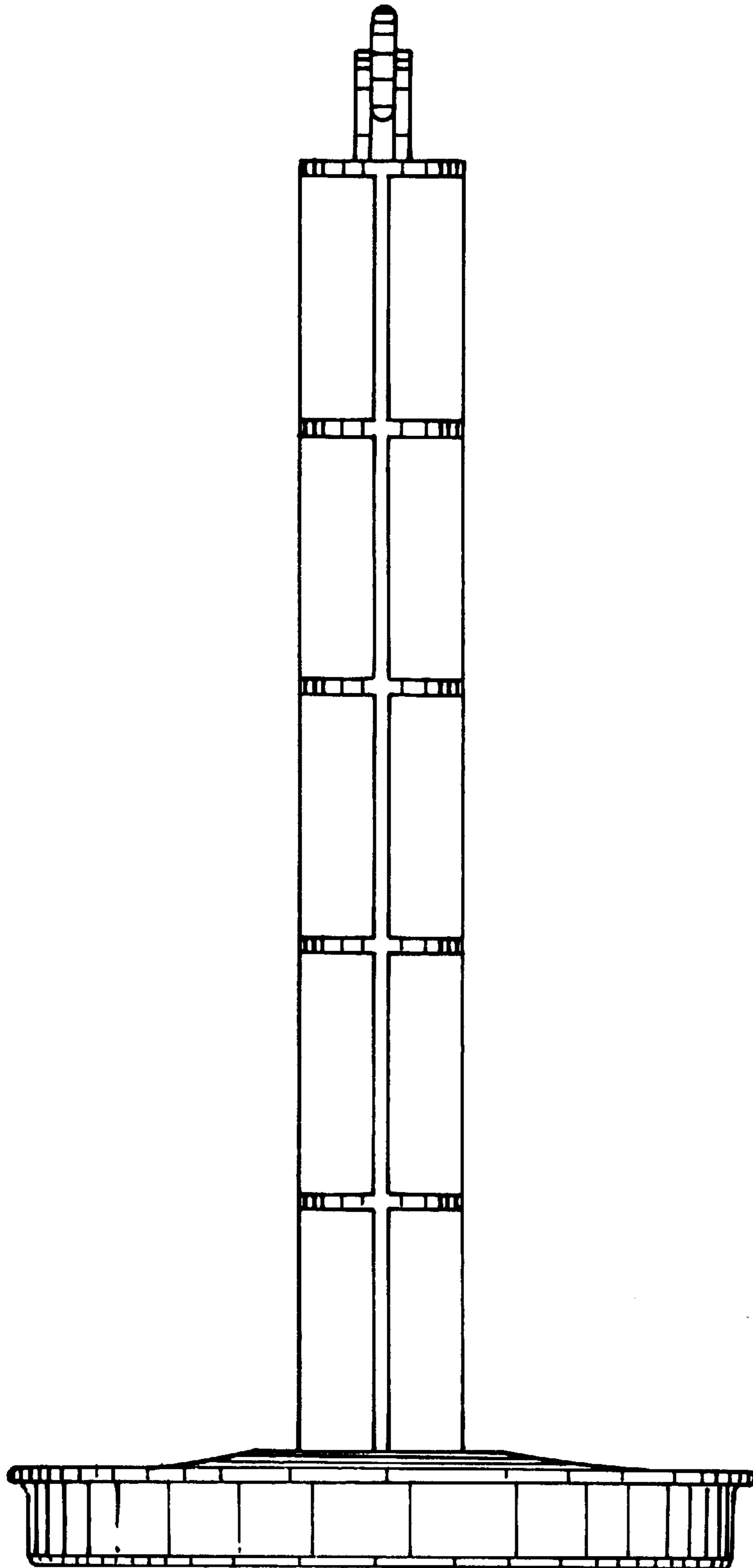


FIG. 2

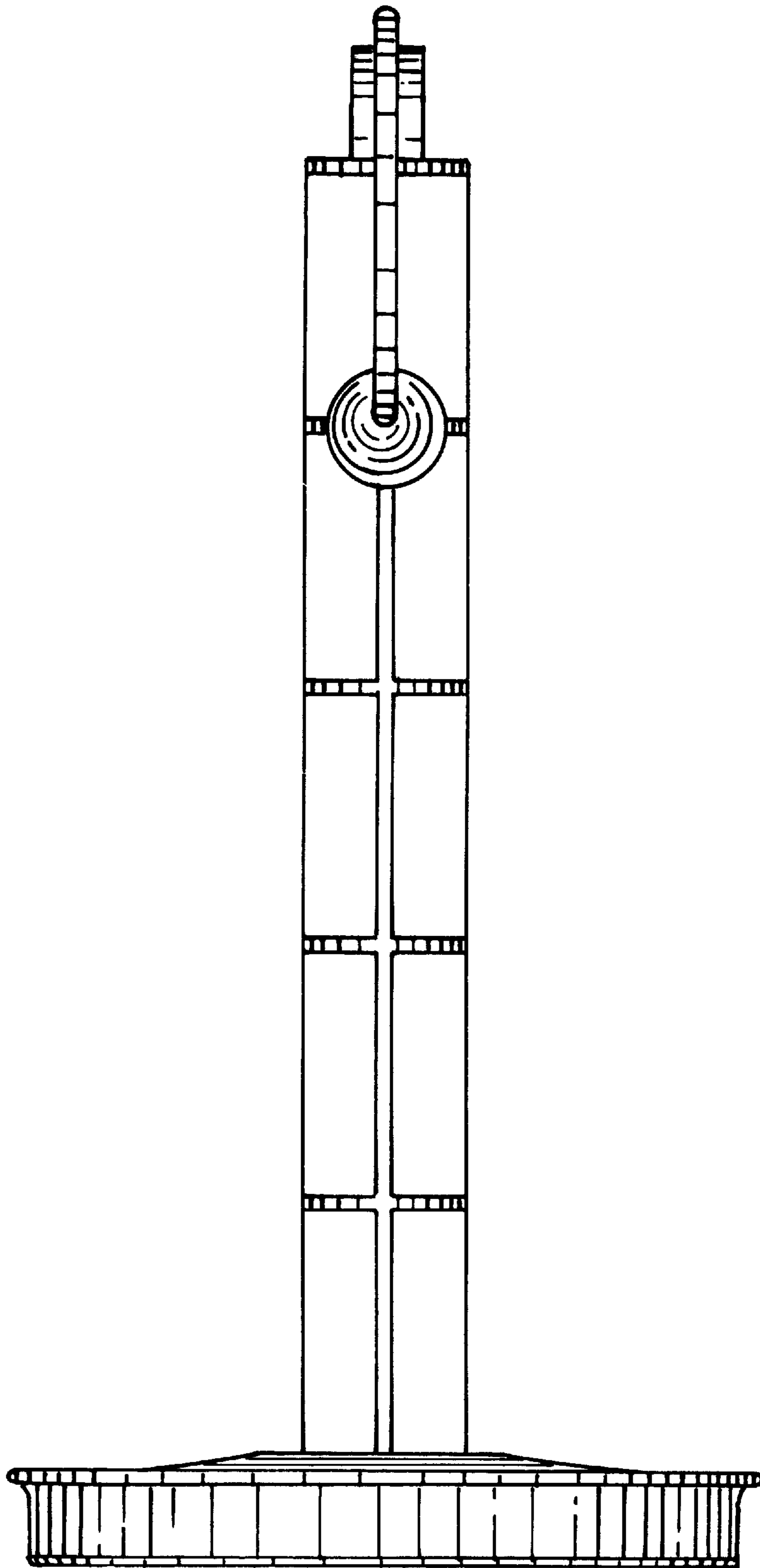


FIG. 3

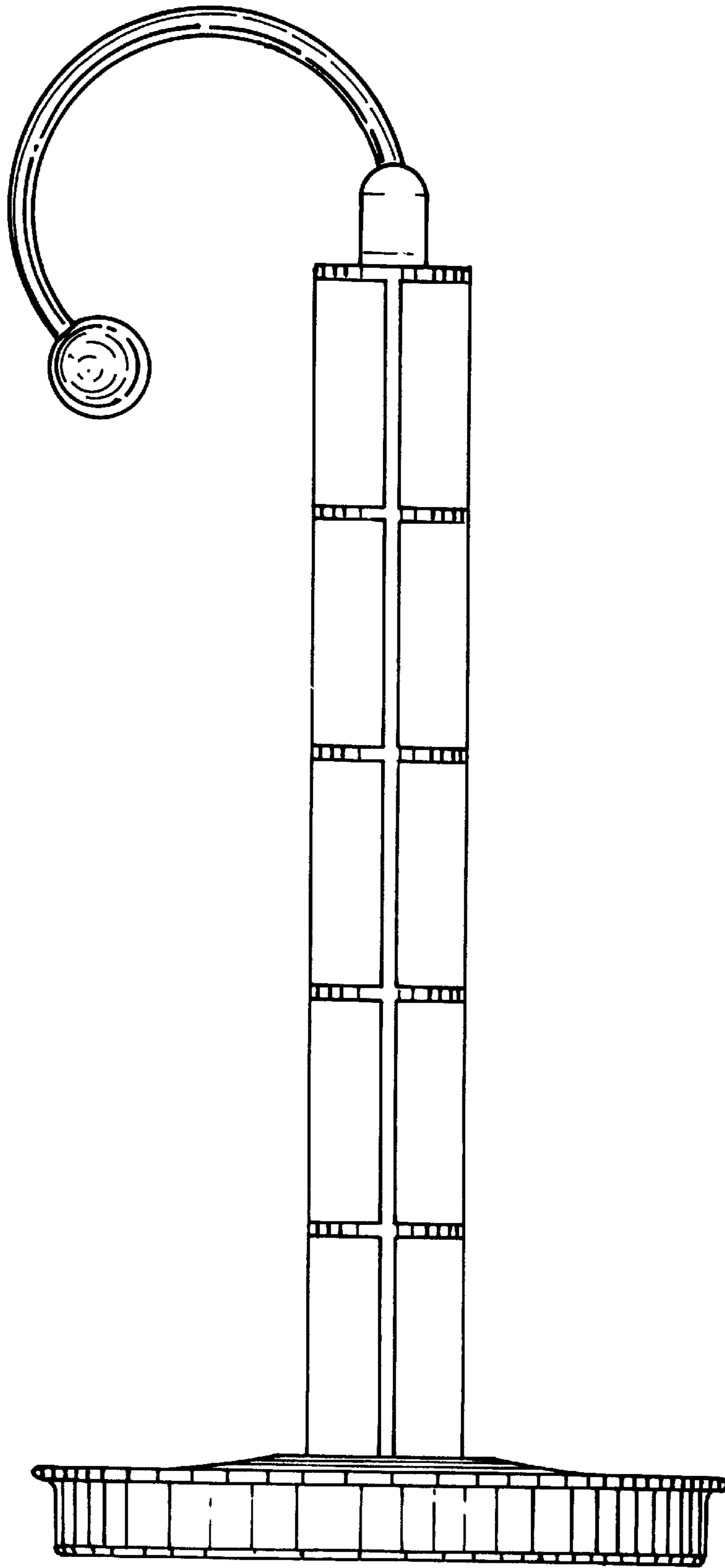


FIG. 4

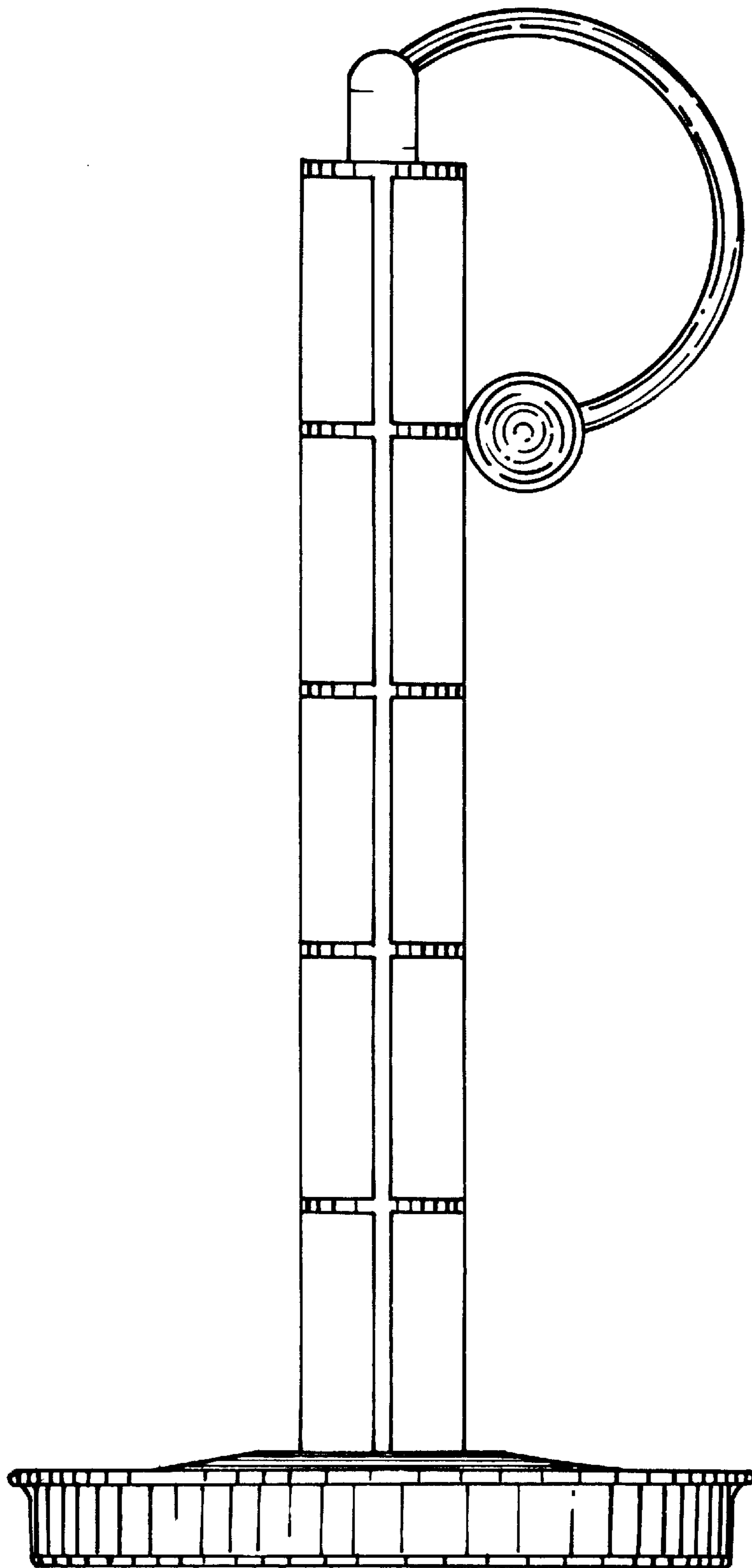


FIG. 5

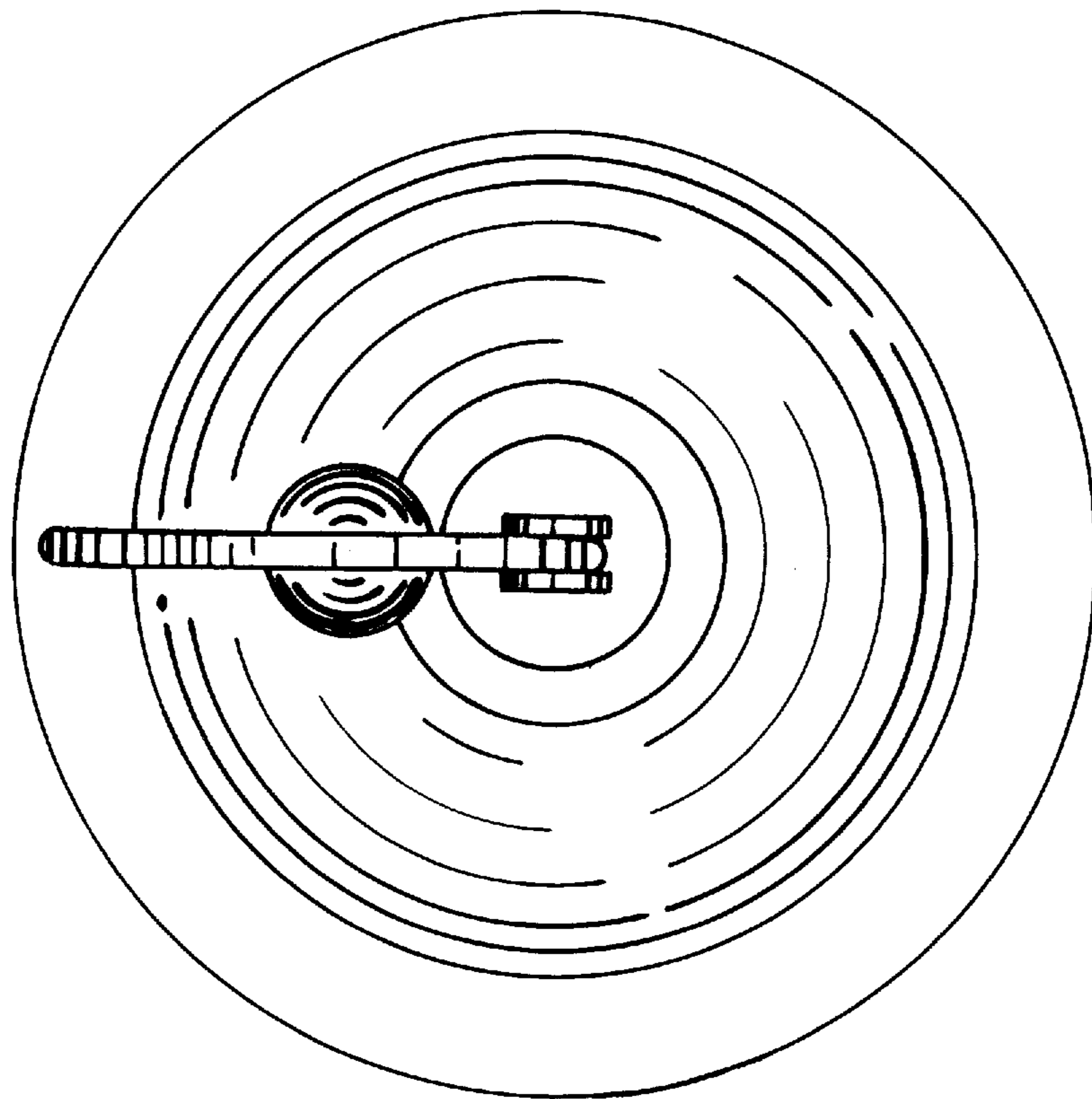


FIG. 6

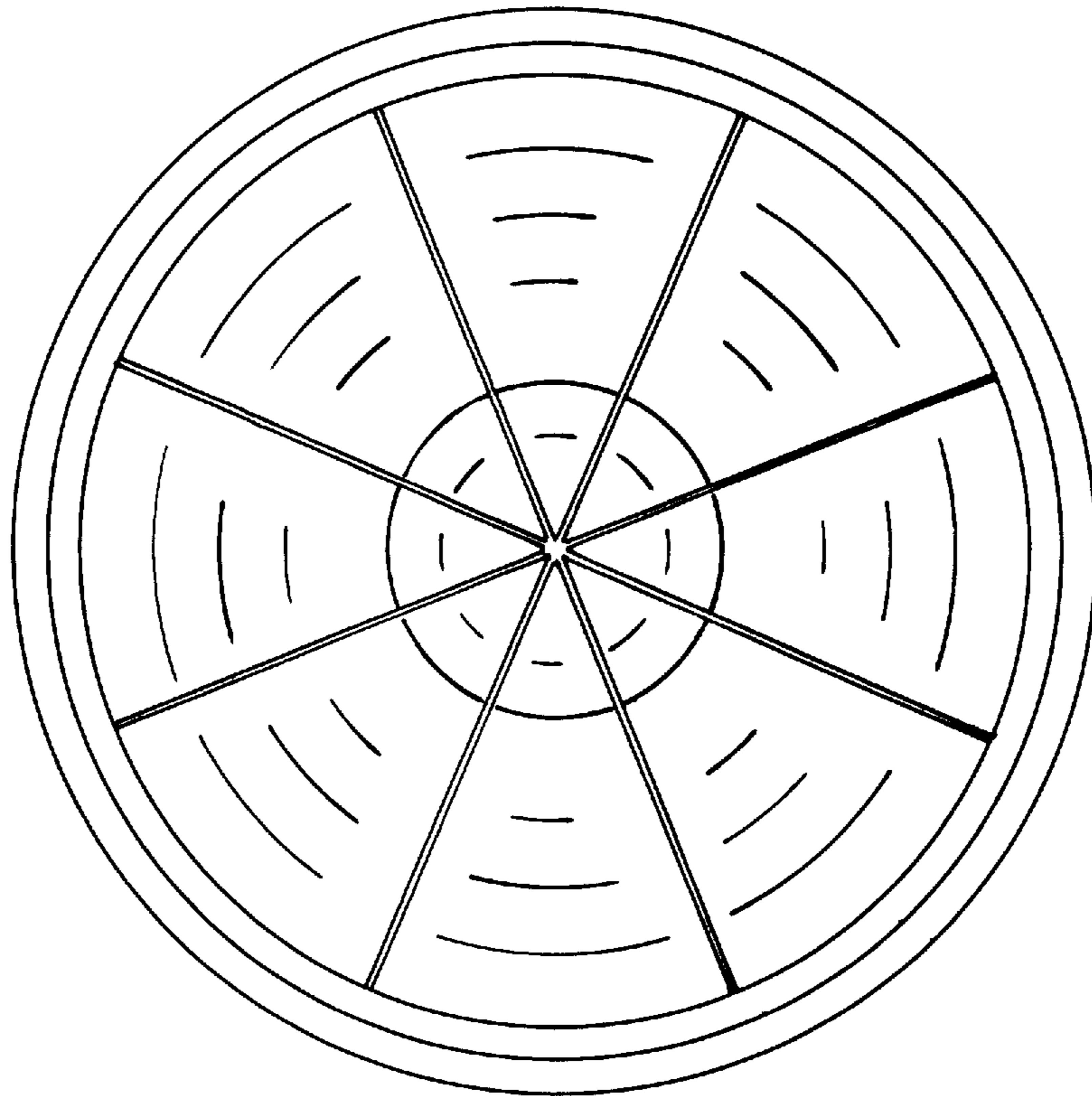


FIG. 7