



US00D405632S

# United States Patent [19] Parham

[11] Patent Number: **Des. 405,632**

[45] Date of Patent: **\*\*Feb. 16, 1999**

[54] **MERCHANDISING DISPLAY CHANNEL FRONT**

[75] Inventor: **Dennis E. Parham**, Kennesaw, Ga.

[73] Assignee: **The Mead Corporation**, Dayton, Ohio

[\*\*] Term: **14 Years**

[21] Appl. No.: **83,834**

[22] Filed: **Feb. 17, 1998**

[51] **LOC (6) Cl.** ..... **06-04**

[52] **U.S. Cl.** ..... **D6/509**

[58] **Field of Search** ..... D6/408, 509-511,  
D6/466-468, 515, 475-477, 479; 312/36,  
45, 42, 128; 211/49.1, 59.2, 59.3, 59.4,  
74, 189, 184, 194

[56] **References Cited**

**U.S. PATENT DOCUMENTS**

D. 290,790	7/1987	Nathan et al. ....	D6/408
D. 295,813	5/1988	Rowse et al. ....	D6/408
2,218,444	10/1940	Vineyard .....	211/49.1
3,104,137	9/1963	Cohen .....	312/71
4,106,668	8/1978	Gebhardt .....	221/131
4,395,955	8/1983	Pfeifer .....	211/184
4,598,828	7/1986	Young et al. ....	211/59.2
4,785,943	11/1988	Deffner et al. ....	211/59.2
4,801,025	1/1989	Flum et al. ....	211/59.2 X

5,351,838	10/1994	Flum .....	211/59.2
5,366,099	11/1994	Schmid .....	211/59.3
5,531,336	7/1996	Parham et al. ....	211/59.2 X
5,645,176	7/1997	Jay .....	211/59.2

**OTHER PUBLICATIONS**

Advertisement brochure for the Mead product designated as "Ultra-Tracker tray" (in application Ser. No. 29/079,090), Aug. 1997.

*Primary Examiner*—James Gandy  
*Assistant Examiner*—Linda Brooks  
*Attorney, Agent, or Firm*—Tsugihiko Suzuki

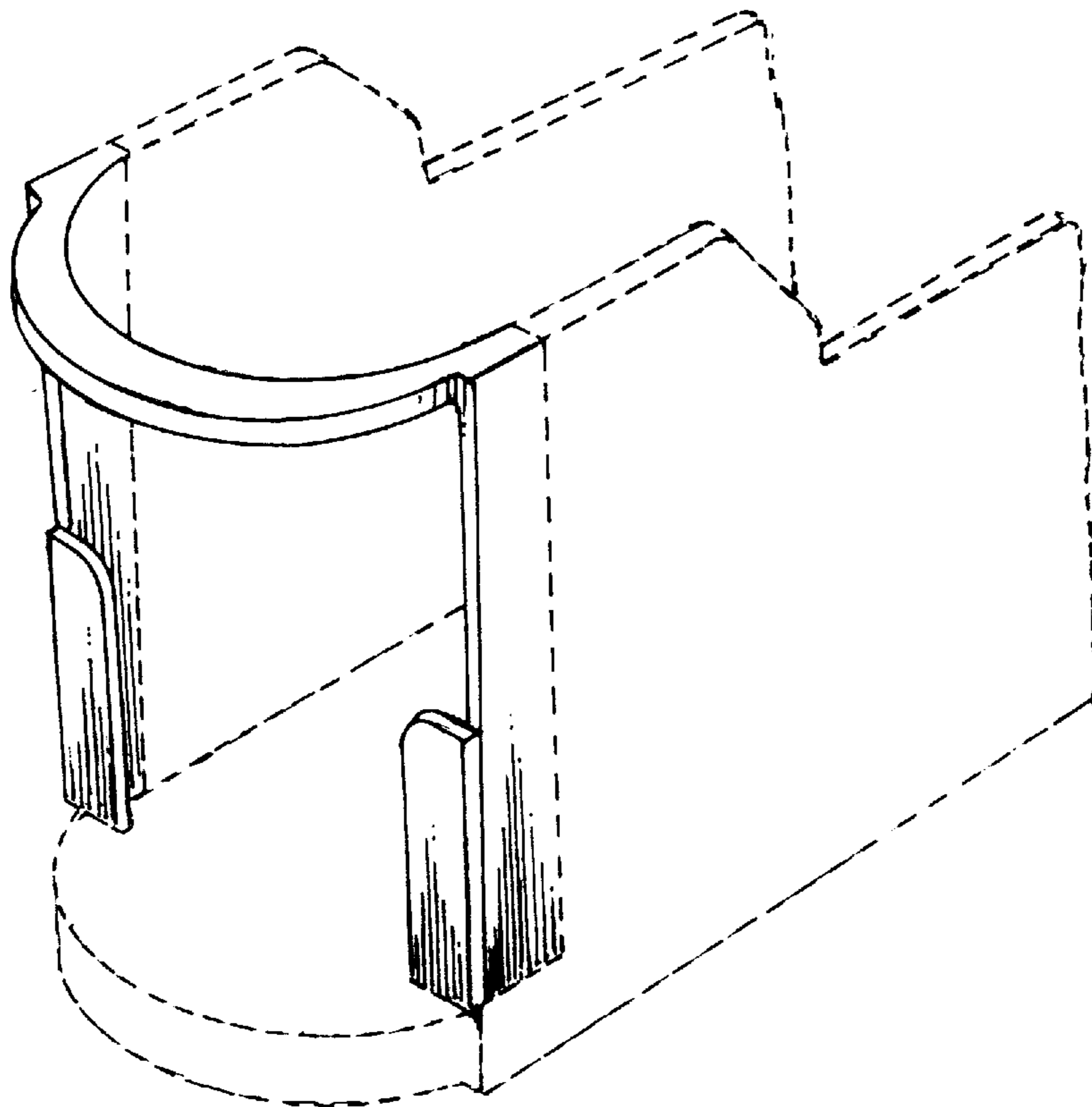
[57] **CLAIM**

The ornamental design for a merchandising display channel front, as shown and described.

**DESCRIPTION**

FIG. 1 is a perspective view of a merchandising display channel front showing my new design; FIG. 2 is a front elevation thereof; FIG. 3 is a right side elevation thereof, the left side elevation being a mirror image thereof; and, FIG. 4 is a top plan view thereof. The broken line showing of environmental structure as well as the broken lines which define the boundaries of the claimed design form no part thereof.

**1 Claim, 2 Drawing Sheets**



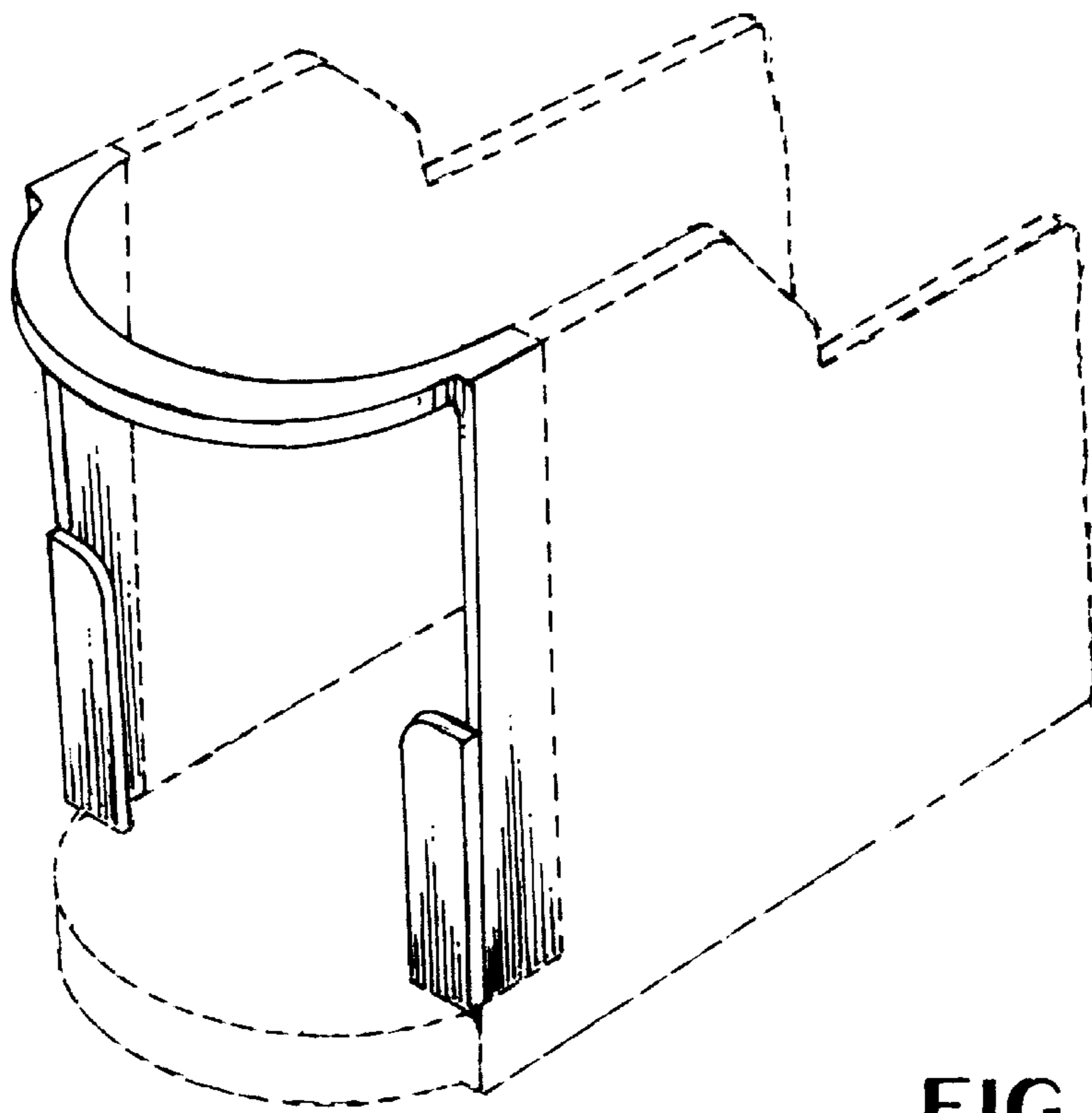


FIG. 1

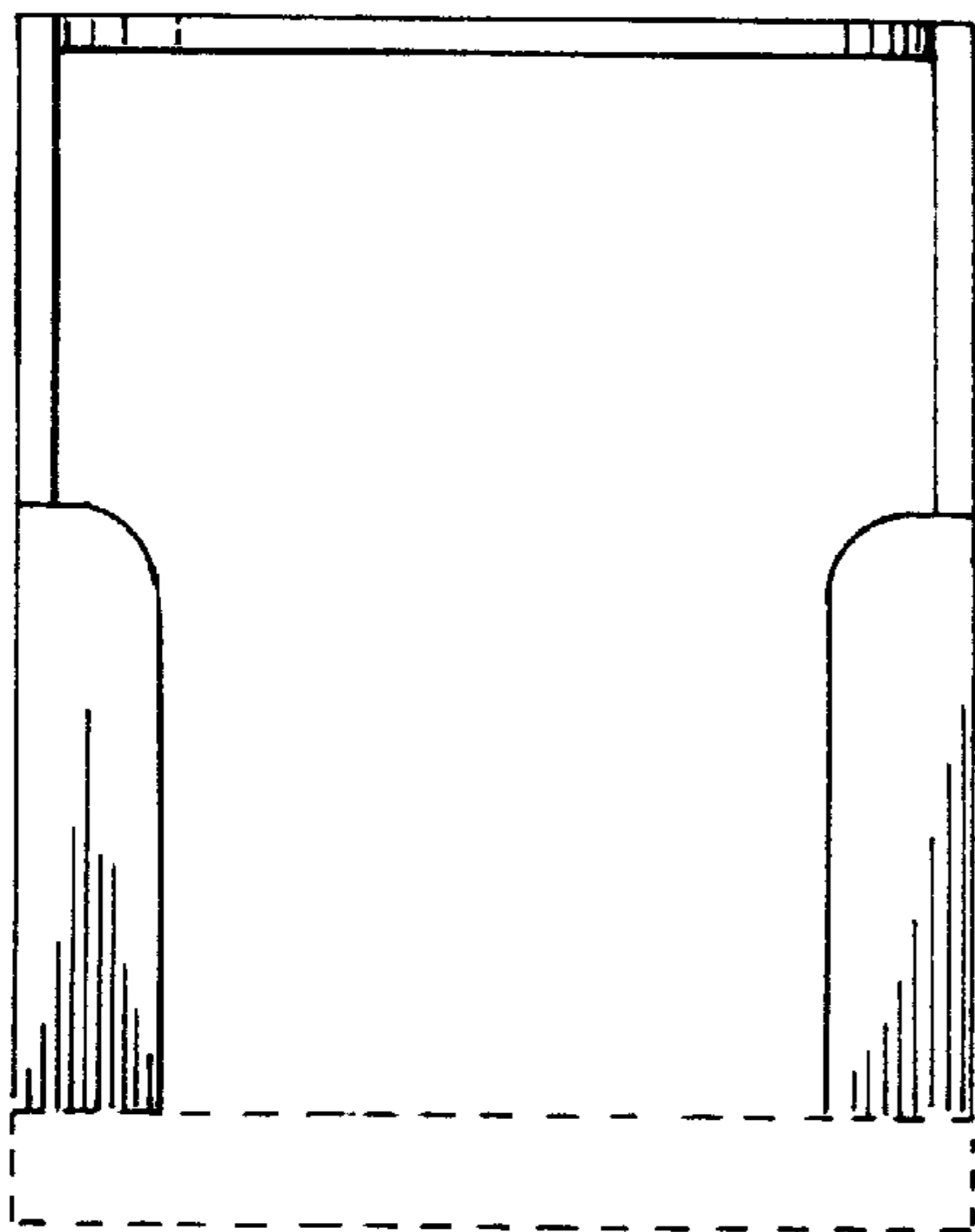


FIG. 2

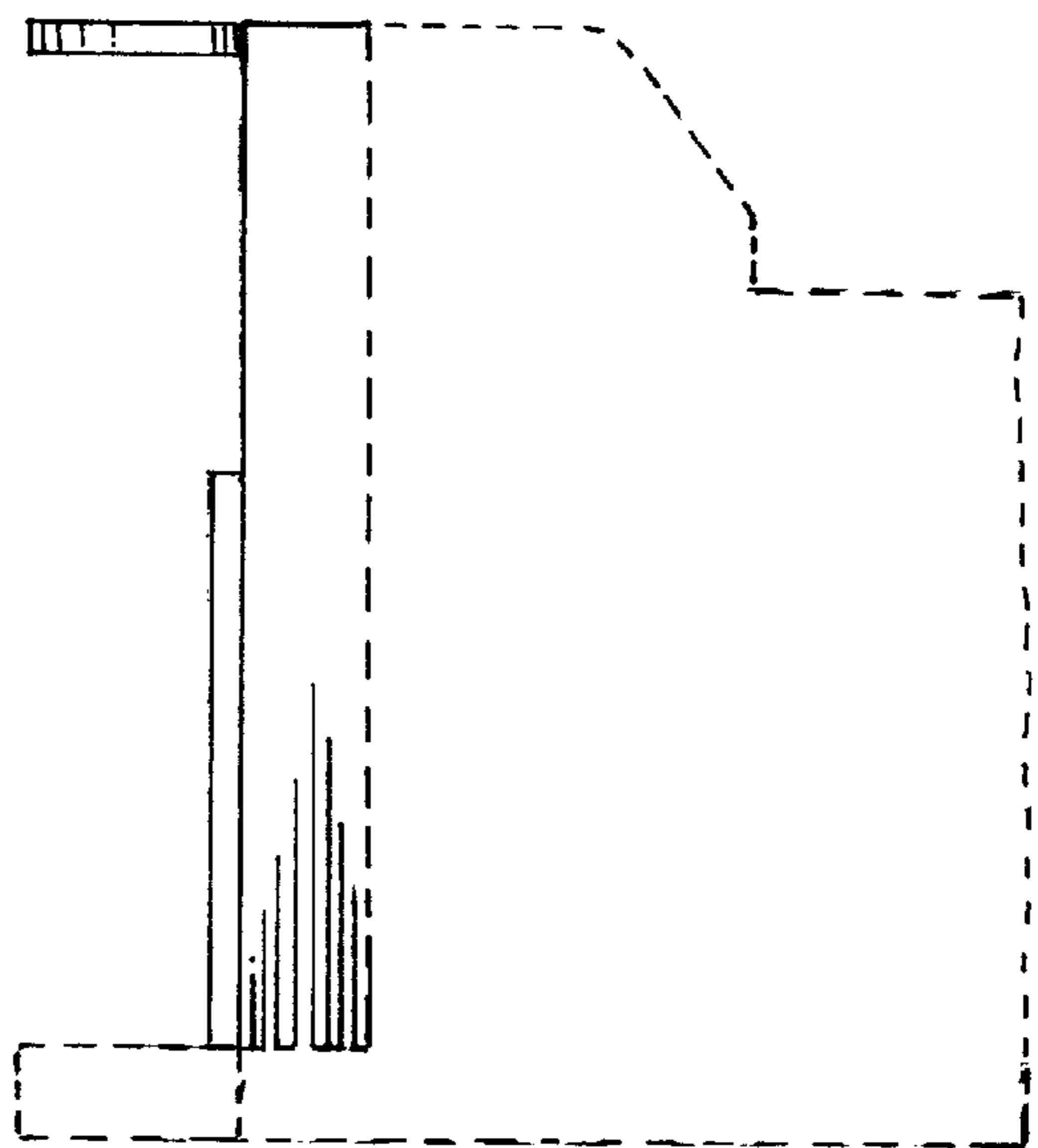


FIG. 3

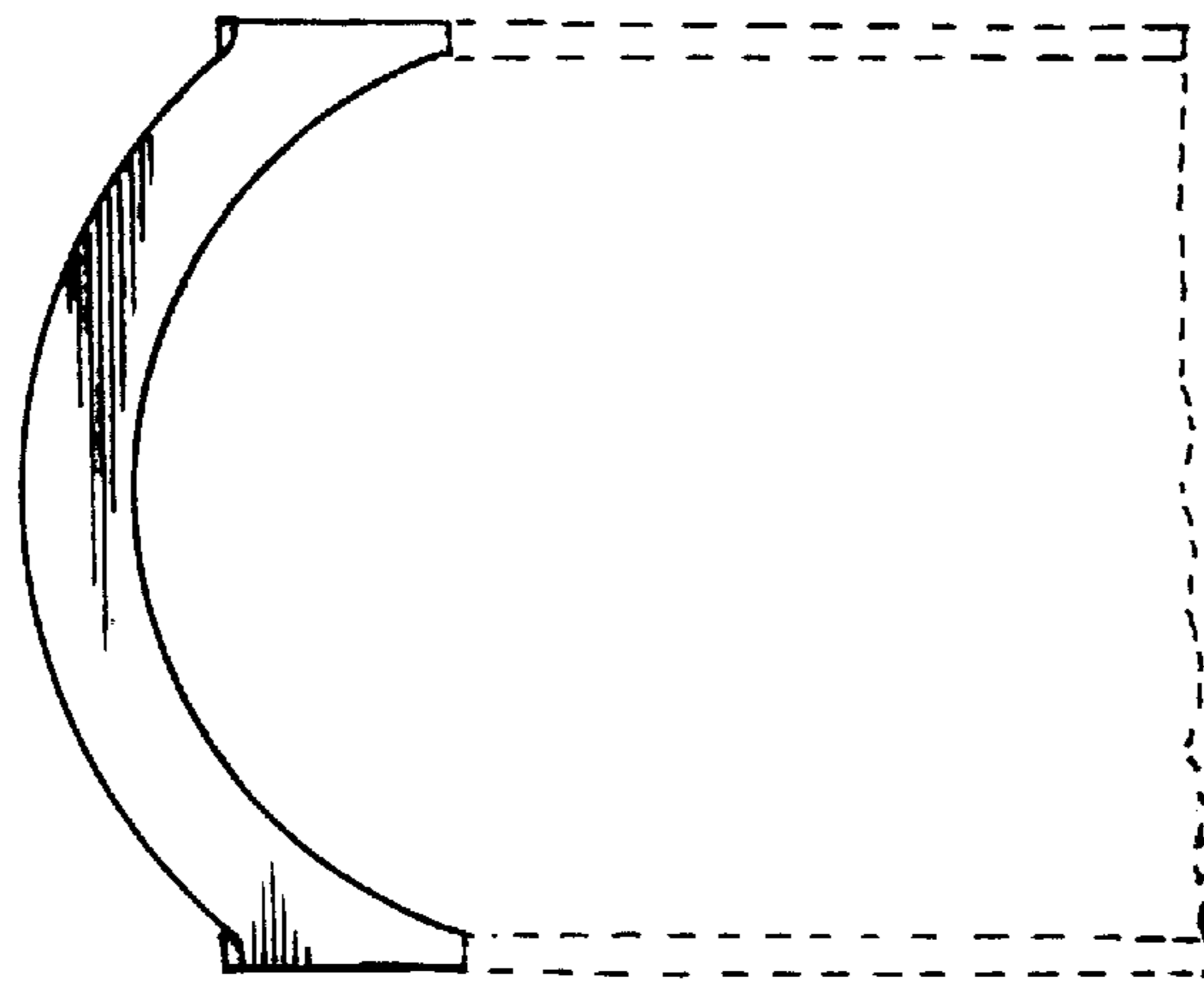


FIG. 4