



US00D405629S

United States Patent [19] Horton

[11] **Patent Number: Des. 405,629**
[45] **Date of Patent: **Feb. 16, 1999**

[54] **KIOSK**

[75] Inventor: **Tony L. Horton**, Dallas, Tex.

[73] Assignee: **T L Horton Design, Inc.**, Dallas, Tex.

[**] Term: **14 Years**

[21] Appl. No.: **73,734**

[22] Filed: **Jul. 22, 1997**

[51] **LOC (6) Cl. 06-04**

[52] **U.S. Cl. D6/474; D25/16**

[58] **Field of Search** D6/396, 397, 470-472,
D6/473, 474, 436-439, 481; D25/1, 16;
312/114, 116-118, 126-128, 138.1, 140.1,
140.2, 249.8, 249.12, 249.13; 52/36.1-36.5;
D34/19-21; 280/47, 35, 79.3

D. 326,024	5/1992	Boyd et al.	D6/481 X
D. 341,458	11/1993	Carroll	D34/20
D. 346,867	5/1994	Montilla	D25/16
D. 348,367	7/1994	Geisen et al.	D6/481
D. 350,829	9/1994	Horton	D25/16
D. 354,816	1/1995	Horton	D25/16
D. 367,777	3/1996	Arnone	D6/436
D. 368,606	4/1996	Sargent, III	D6/481
D. 379,664	6/1997	Horton	D25/16
D. 379,665	6/1997	Horton	D25/16
D. 379,666	6/1997	Horton	D25/16
D. 379,667	6/1997	Horton	D25/16
D. 396,113	7/1998	Horton	D25/16
D. 396,114	7/1998	Horton	D25/16
589,971	9/1897	Kephart	D25/16 X
2,836,860	6/1958	Staropoli	20/1.6
3,715,815	2/1973	Lewis	312/196 X
4,572,598	2/1986	Moore, Jr.	312/116 X
5,048,857	9/1991	Stevens	108/111 X
5,551,774	9/1996	Campbell et al.	312/114 X

[56] **References Cited**

U.S. PATENT DOCUMENTS

D. 54,883	4/1920	Willett	D6/476 X
D. 85,555	11/1931	Stebbins	D25/7
D. 148,842	3/1948	Cushman	D6/437
D. 149,381	4/1948	Schick	D6/437
D. 152,219	12/1948	Schick	D6/437
D. 152,371	1/1949	Schick	D6/437
D. 200,225	2/1965	Benjamin	D25/16 X
D. 219,579	12/1970	Wormser	D13/1
D. 254,327	2/1980	Tasse	D25/26
D. 260,708	9/1981	Schindler et al.	D6/474
D. 265,617	8/1982	Sauroge, III et al.	D6/481
D. 279,408	6/1985	Davenport et al.	D25/25
D. 288,040	2/1987	LeBlance	D6/473
D. 288,609	3/1987	Watkins	D25/1
D. 302,221	7/1989	Suttles et al.	D6/481
D. 313,077	12/1990	Minarro	D25/16

Primary Examiner—James Gandy
Assistant Examiner—Linda Brooks
Attorney, Agent, or Firm—Locke Purnell Rain Harrell

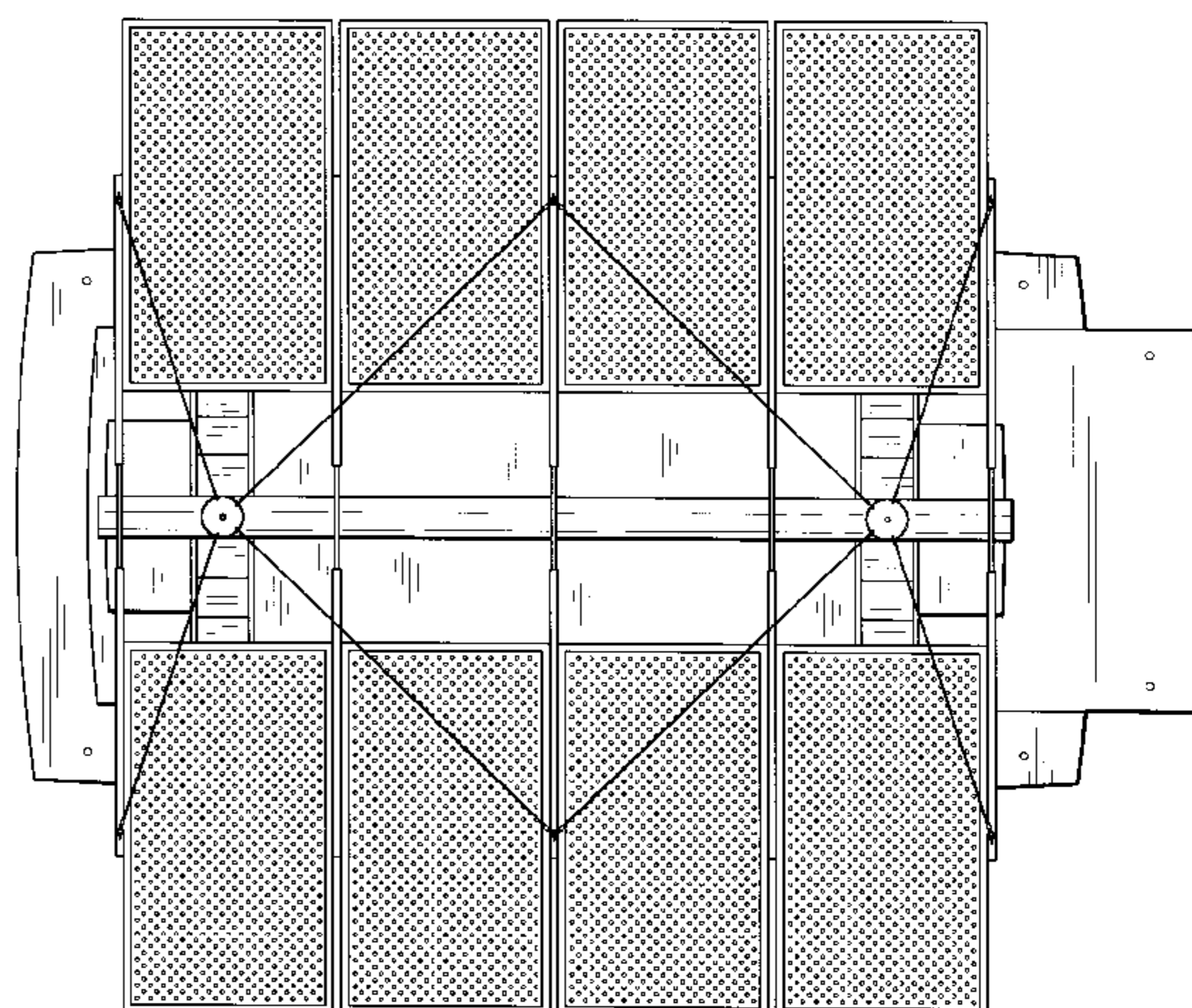
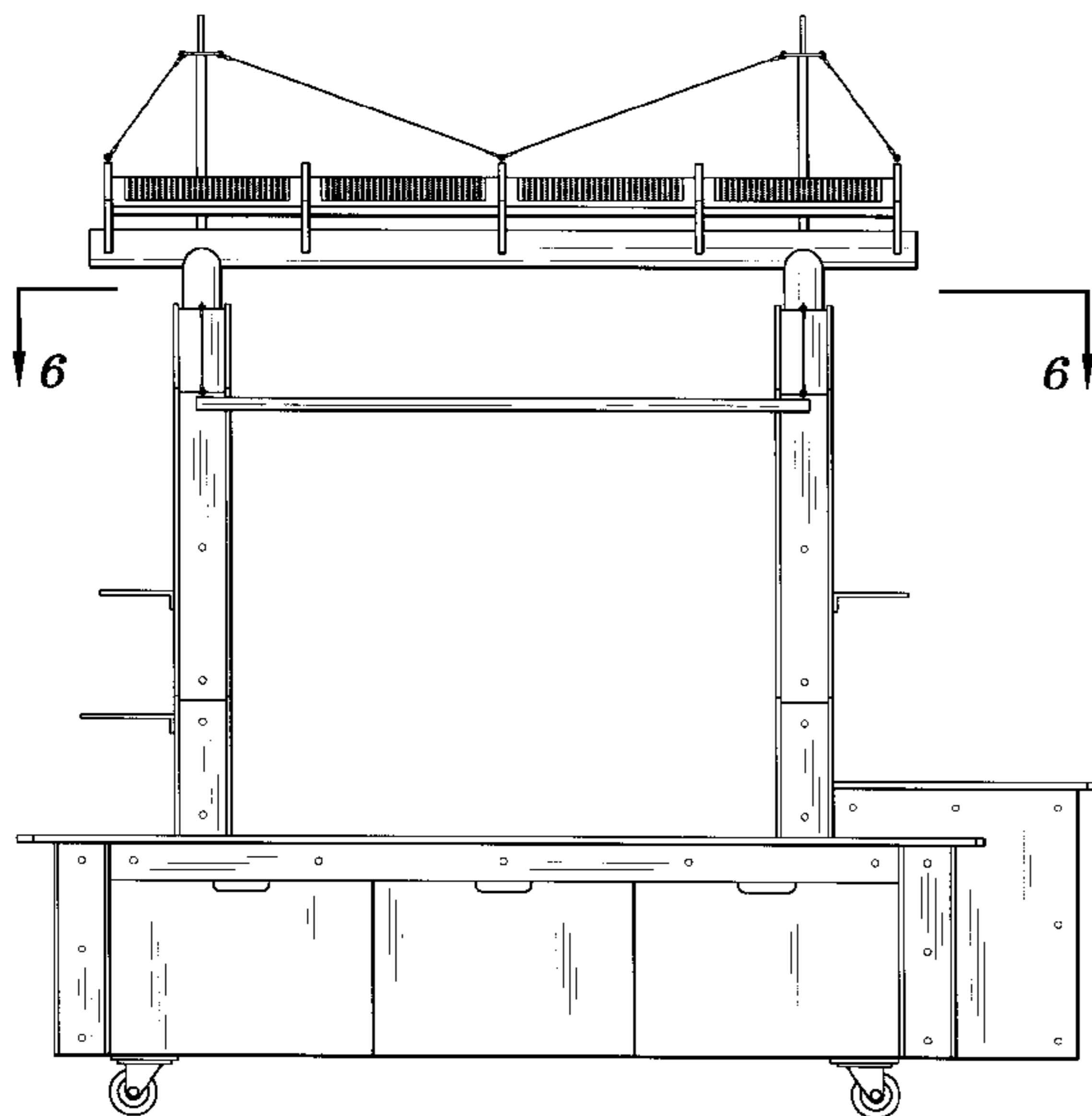
[57] **CLAIM**

The ornamental design for a kiosk, as shown and described.

DESCRIPTION

FIG. 1 is a front elevational view of a kiosk showing my new design, the rear view being identical thereto;
FIG. 2 is a top plan view thereof;
FIG. 3 is a left side elevational view thereof;
FIG. 4 is a right side elevational view thereof;
FIG. 5 is a bottom plan view thereof; and,
FIG. 6 is a sectional view thereof taken generally along sectional lines 6-6 of FIG. 1.

1 Claim, 6 Drawing Sheets



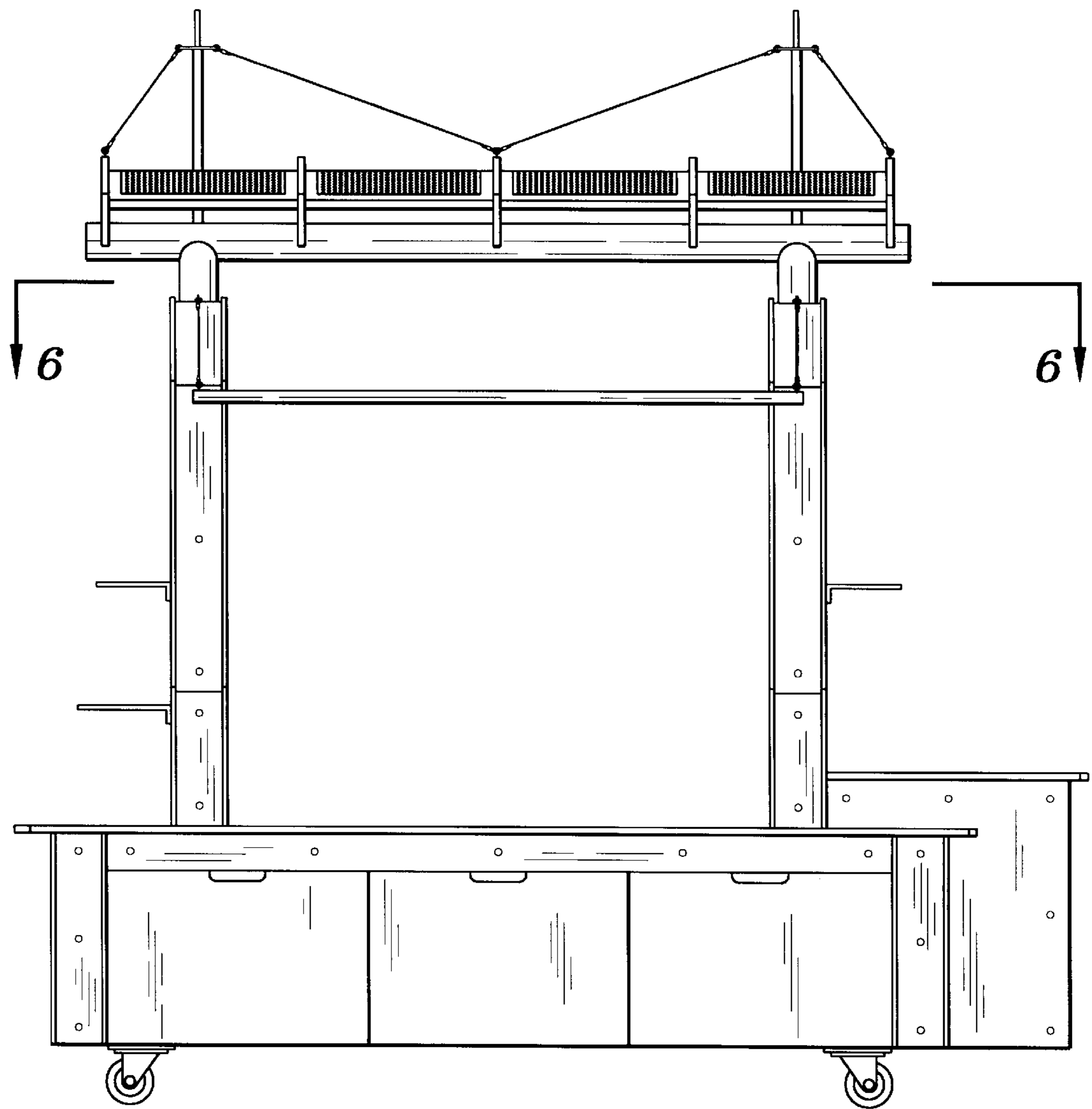


FIG. 1

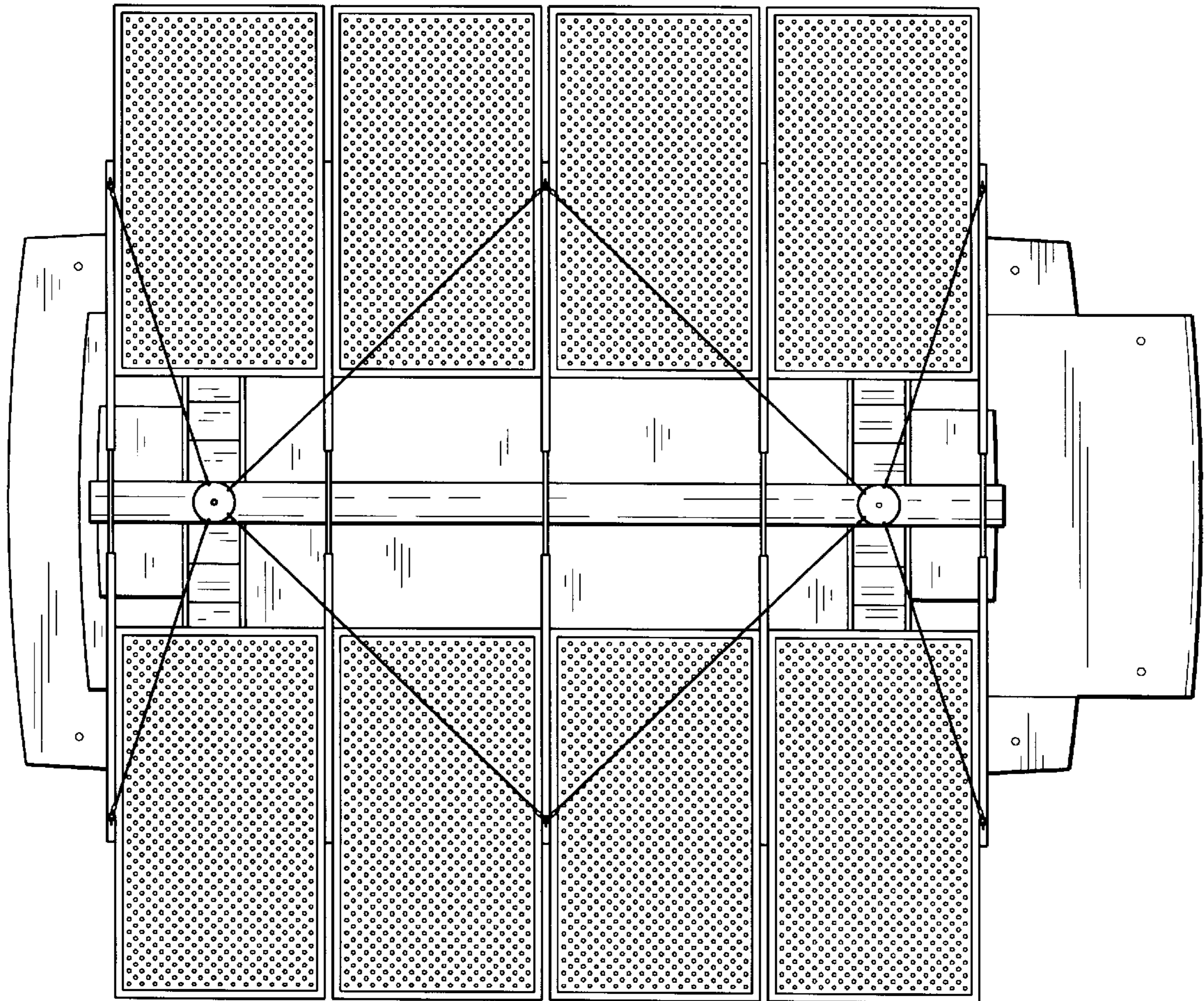


FIG. 2

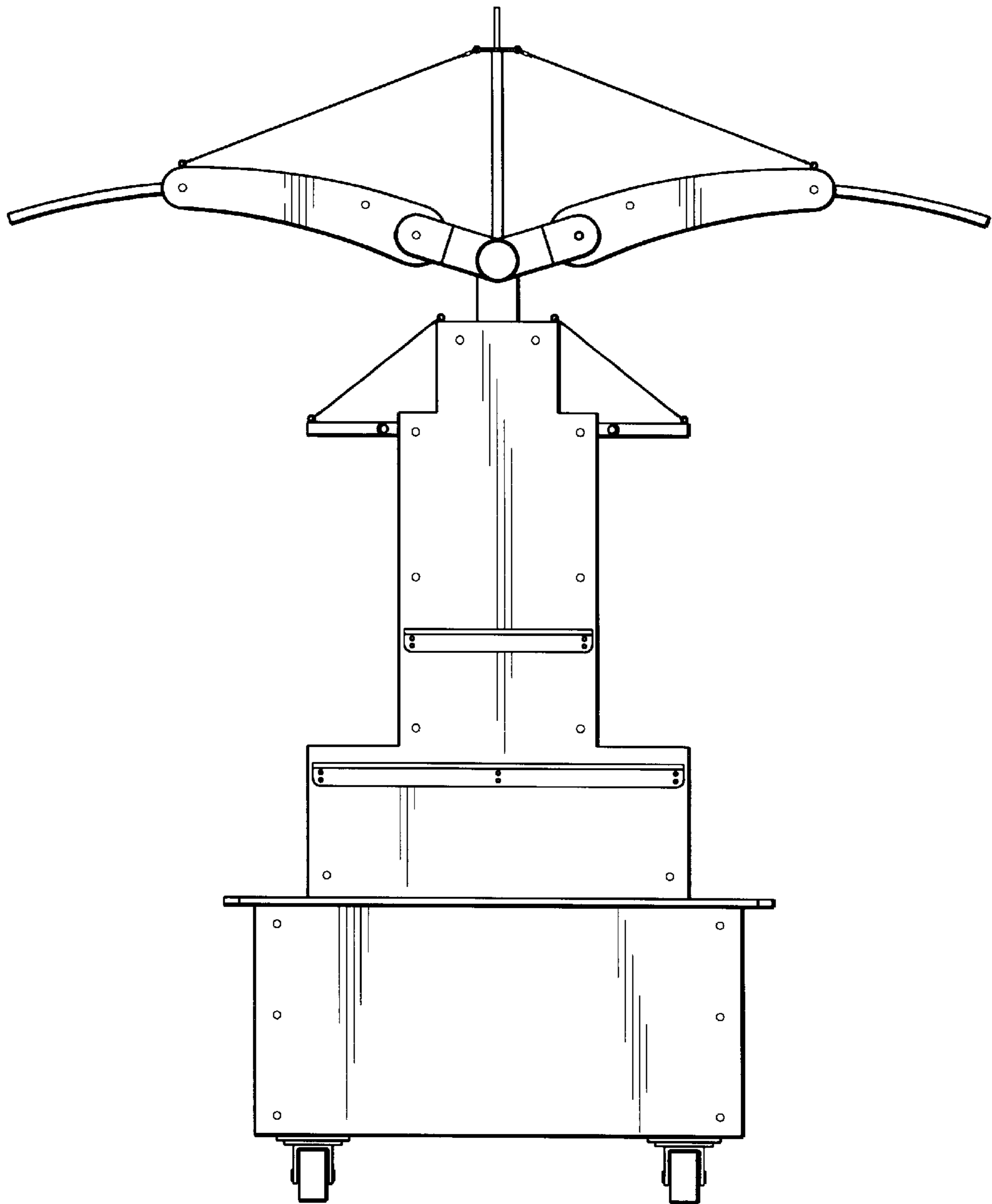


FIG. 3

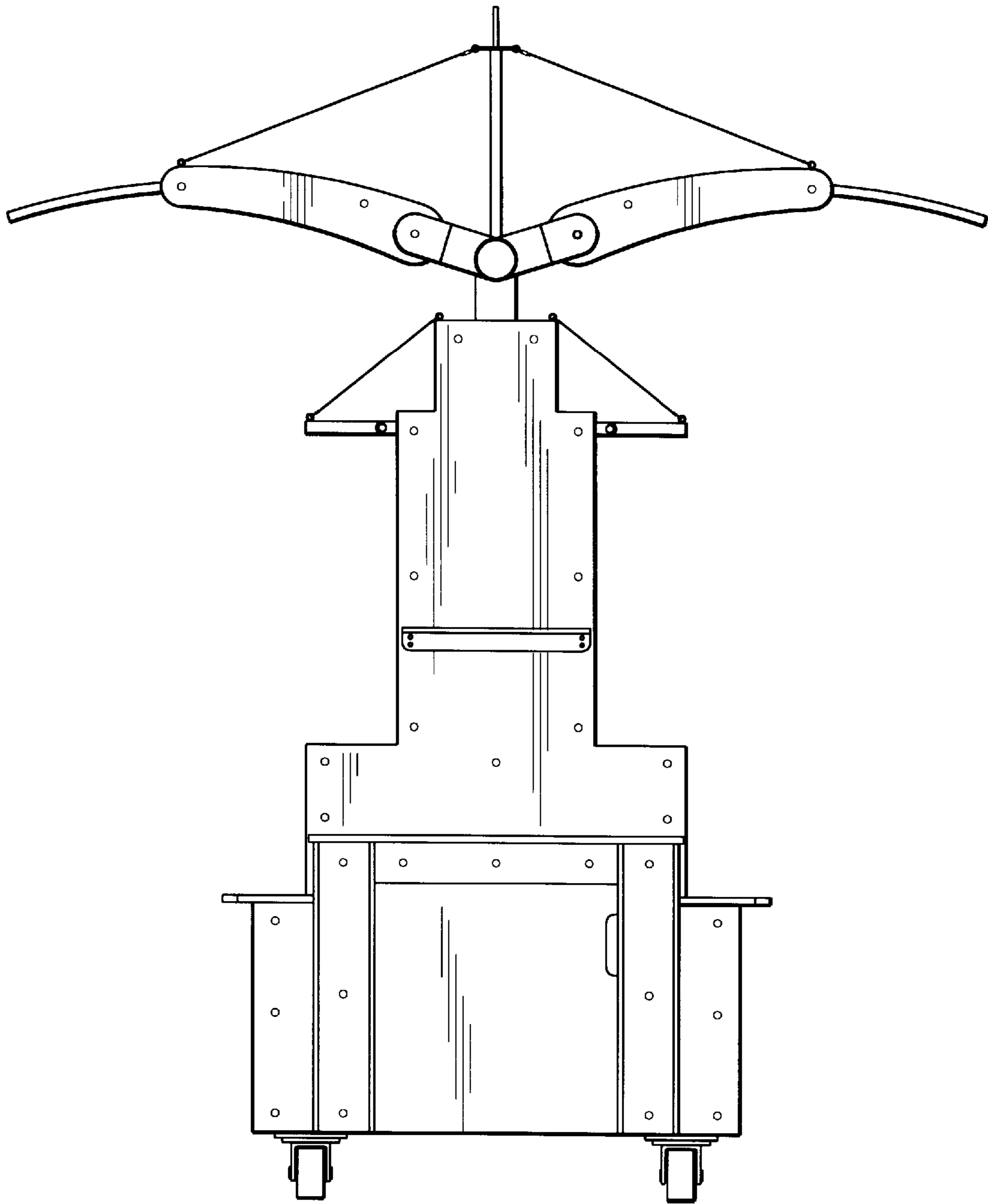


FIG. 4

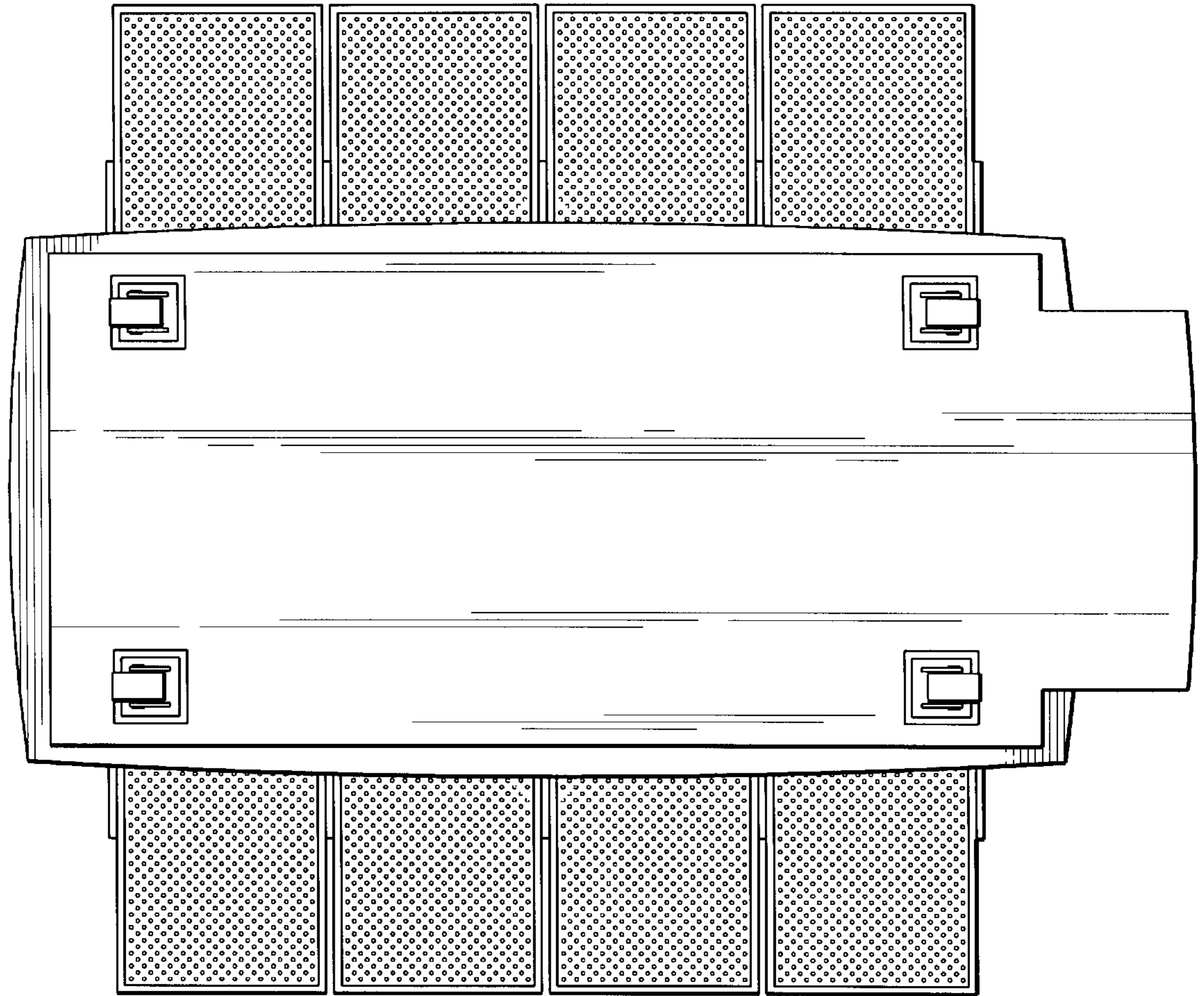


FIG. 5

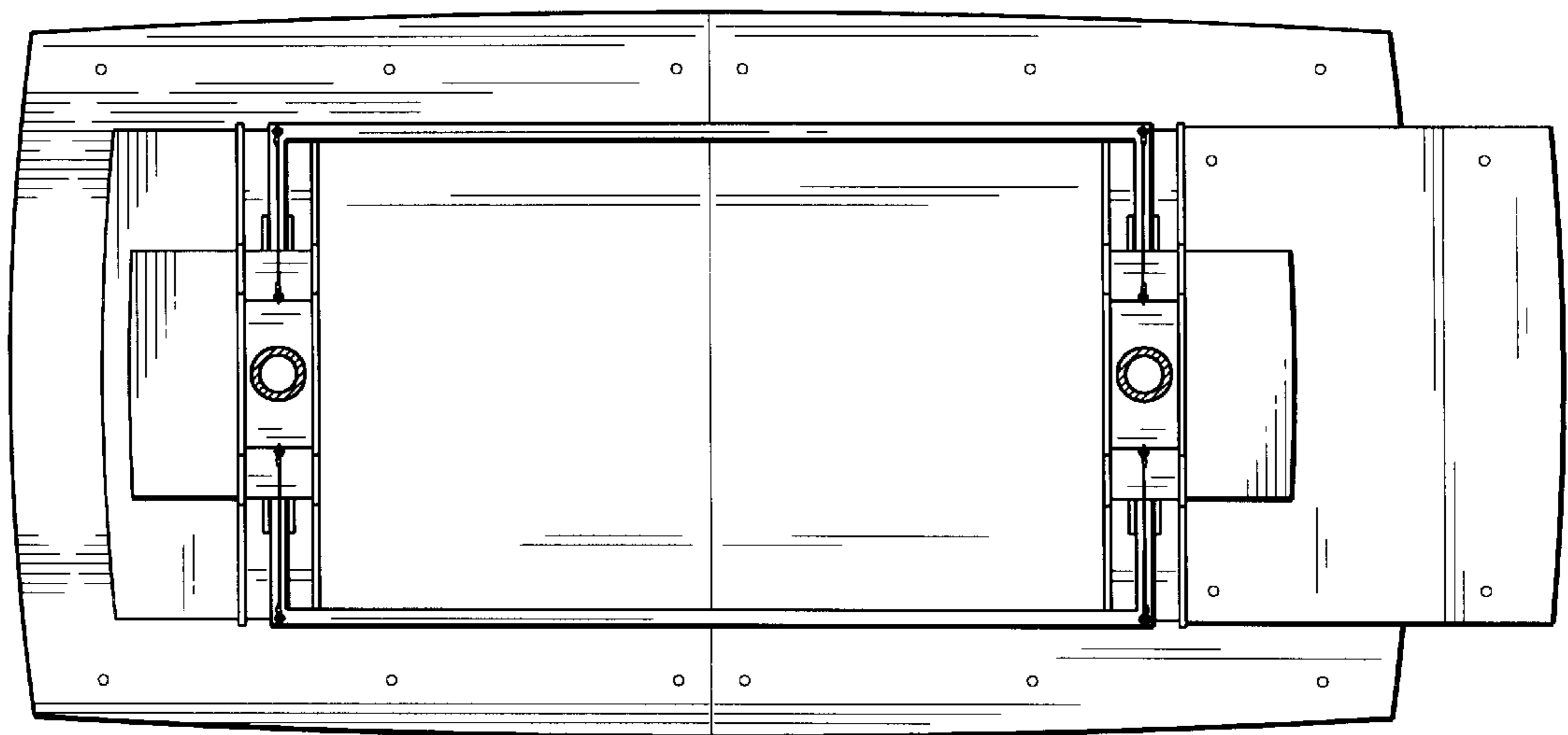


FIG. 6