



US00D405627S

United States Patent [19]
Salvucci

[11] **Patent Number: Des. 405,627**

[45] **Date of Patent: **Feb. 16, 1999**

[54] **MULTIPLE D AND E SIZE CYLINDER STAND**

[75] Inventor: **Frank S. Salvucci**, Bakersfield, Calif.

[73] Assignee: **Anthony Welded Products, Inc.**,
Delano, Calif.

[**] Term: **14 Years**

[21] Appl. No.: **87,315**

[22] Filed: **Apr. 30, 1998**

[51] **LOC (6) Cl.** **06-04**

[52] **U.S. Cl.** **D6/465**

[58] **Field of Search** D6/462-468, 405,
D6/408; 211/59.2, 59.3, 49.1, 85.26, 126.9,
133.2, 134, 153, 181.1; 248/153, 175, 176.1;
108/147.11, 147.15, 147.16, 147.17, 149

[56] **References Cited**

U.S. PATENT DOCUMENTS

D. 264,157 5/1982 Karsikas D6/465

D. 276,089 10/1984 Hutchins D6/465 X
D. 348,996 7/1994 Saunders D6/465
D. 365,227 12/1995 Chambers et al. D6/465
D. 367,375 2/1996 Vukelich et al. D6/465 X

Primary Examiner—James Gandy
Assistant Examiner—Linda Brooks
Attorney, Agent, or Firm—Kelly Bauersfeld Lowry &
Kelley, LLP

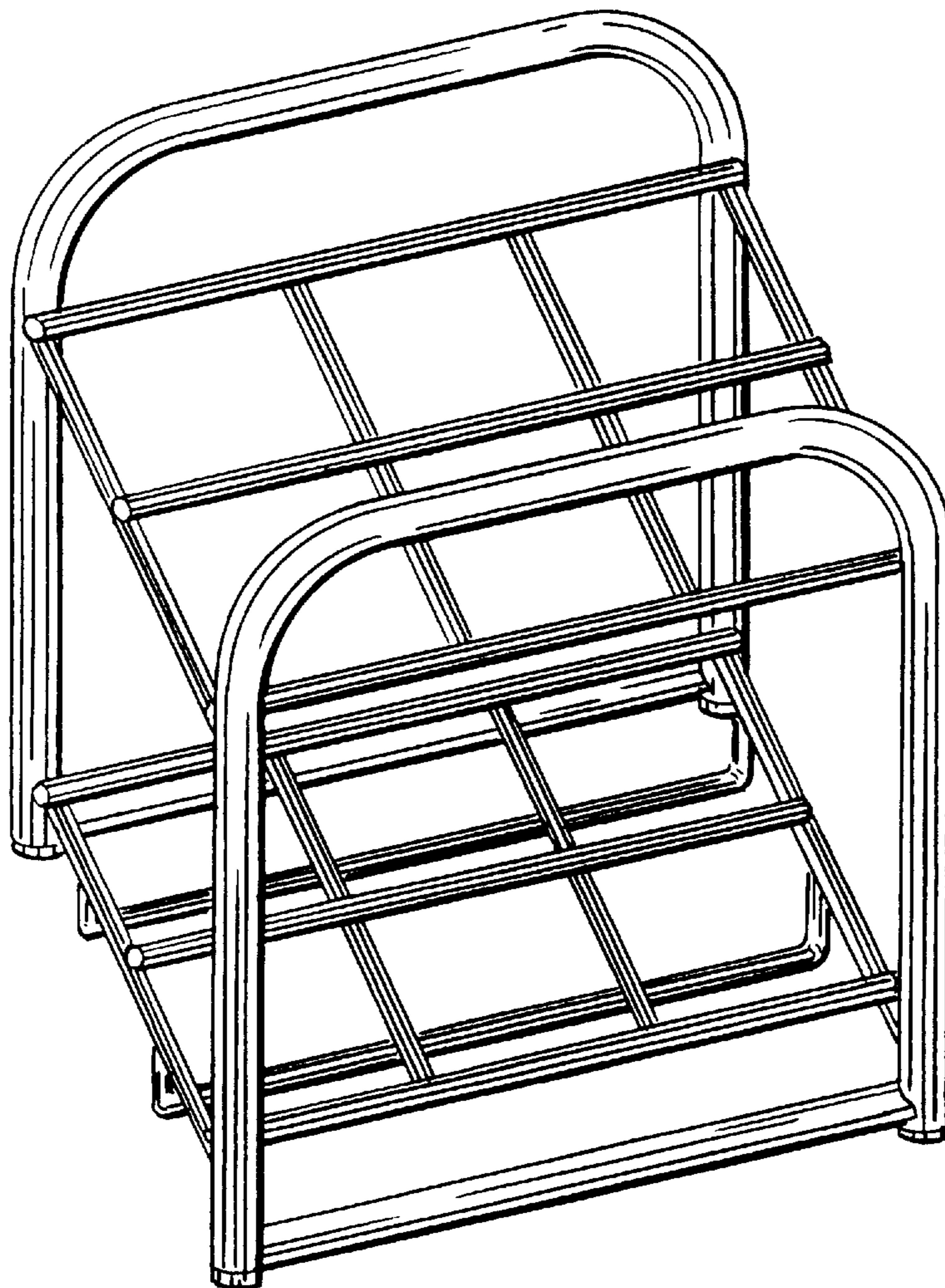
[57] **CLAIM**

The ornamental design for a multiple D and E size cylinder stand, as shown and described.

DESCRIPTION

FIG. 1 is a top, front and side perspective view of a multiple D and E size cylinder stand embodying my new design; FIG. 2 is a front elevational view thereof, the rear elevational view being a mirror image thereof; FIG. 3 is a right side elevational view thereof, the left side elevational view being a mirror image; FIG. 4 is a top plan view thereof; and, FIG. 5 is a bottom plan view thereof.

1 Claim, 2 Drawing Sheets



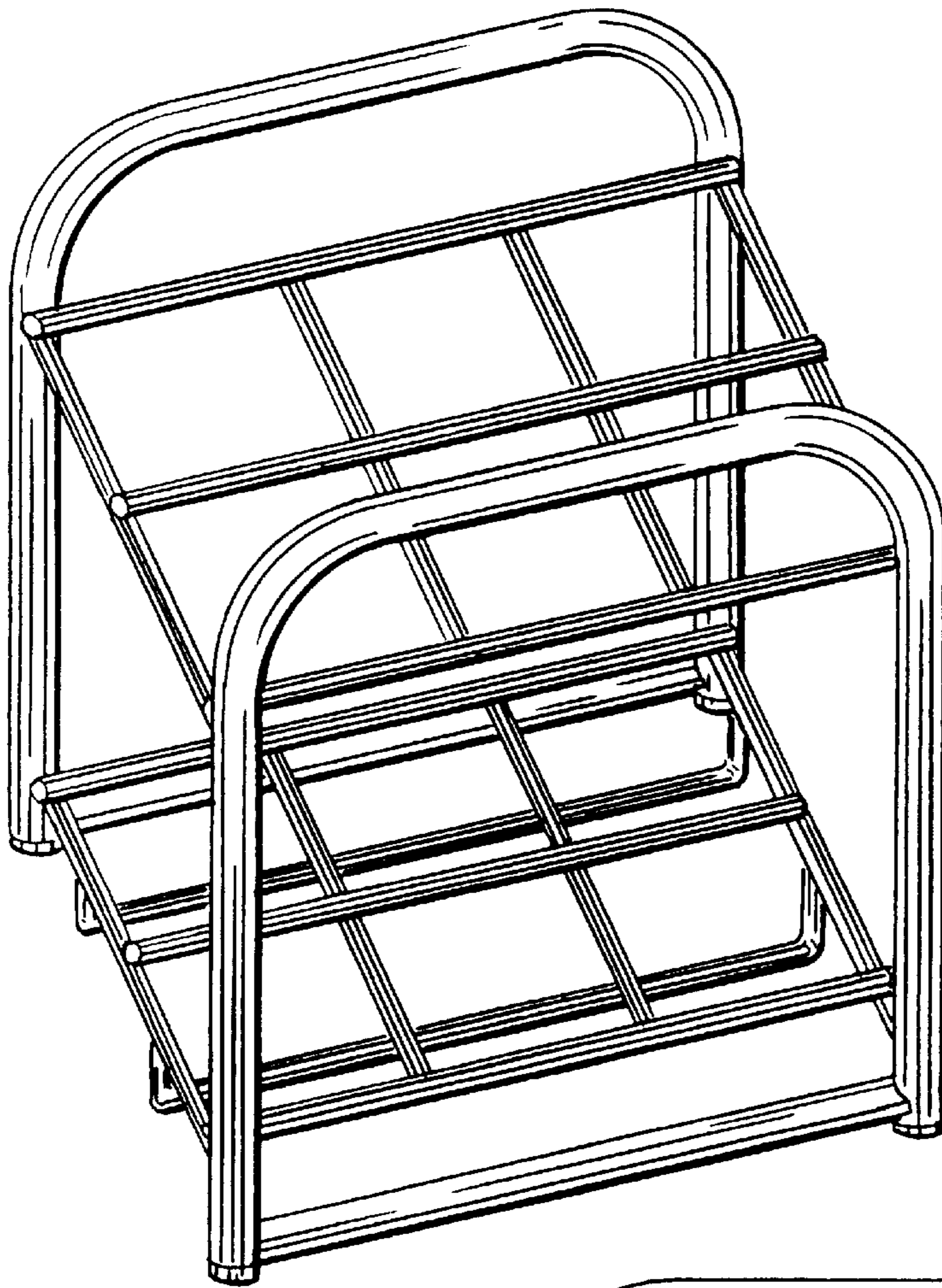


FIG. 1

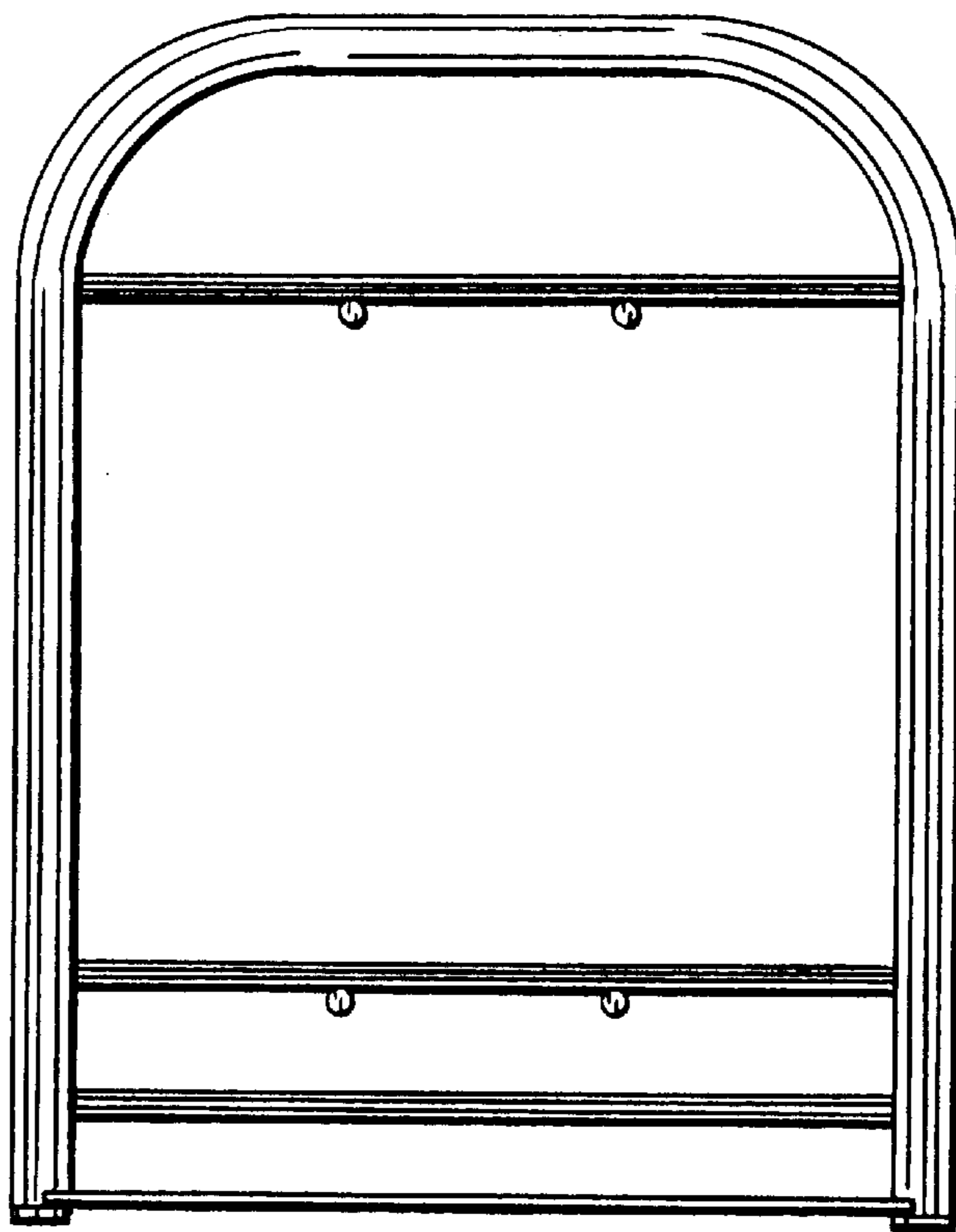


FIG. 2

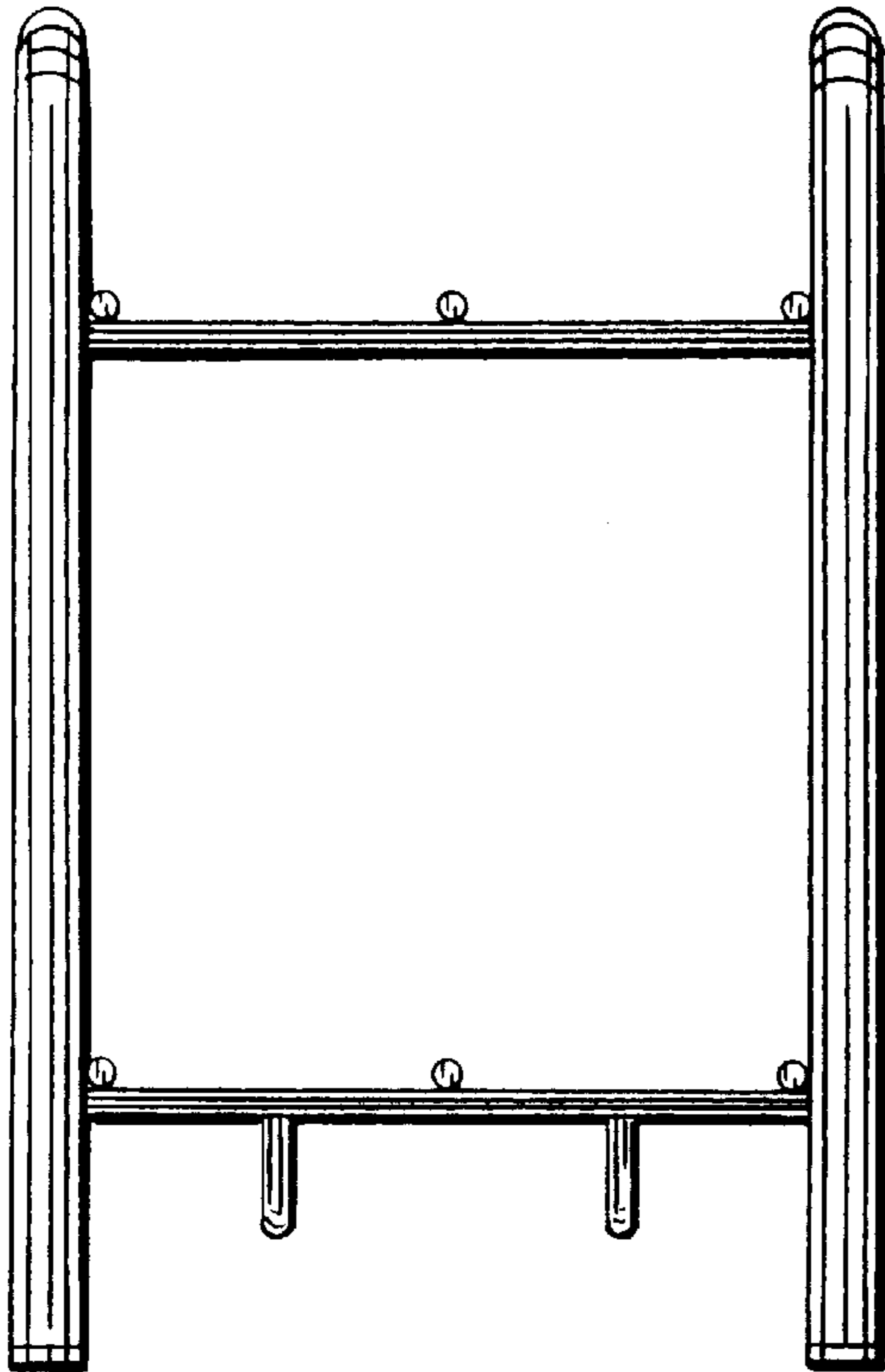


FIG. 3

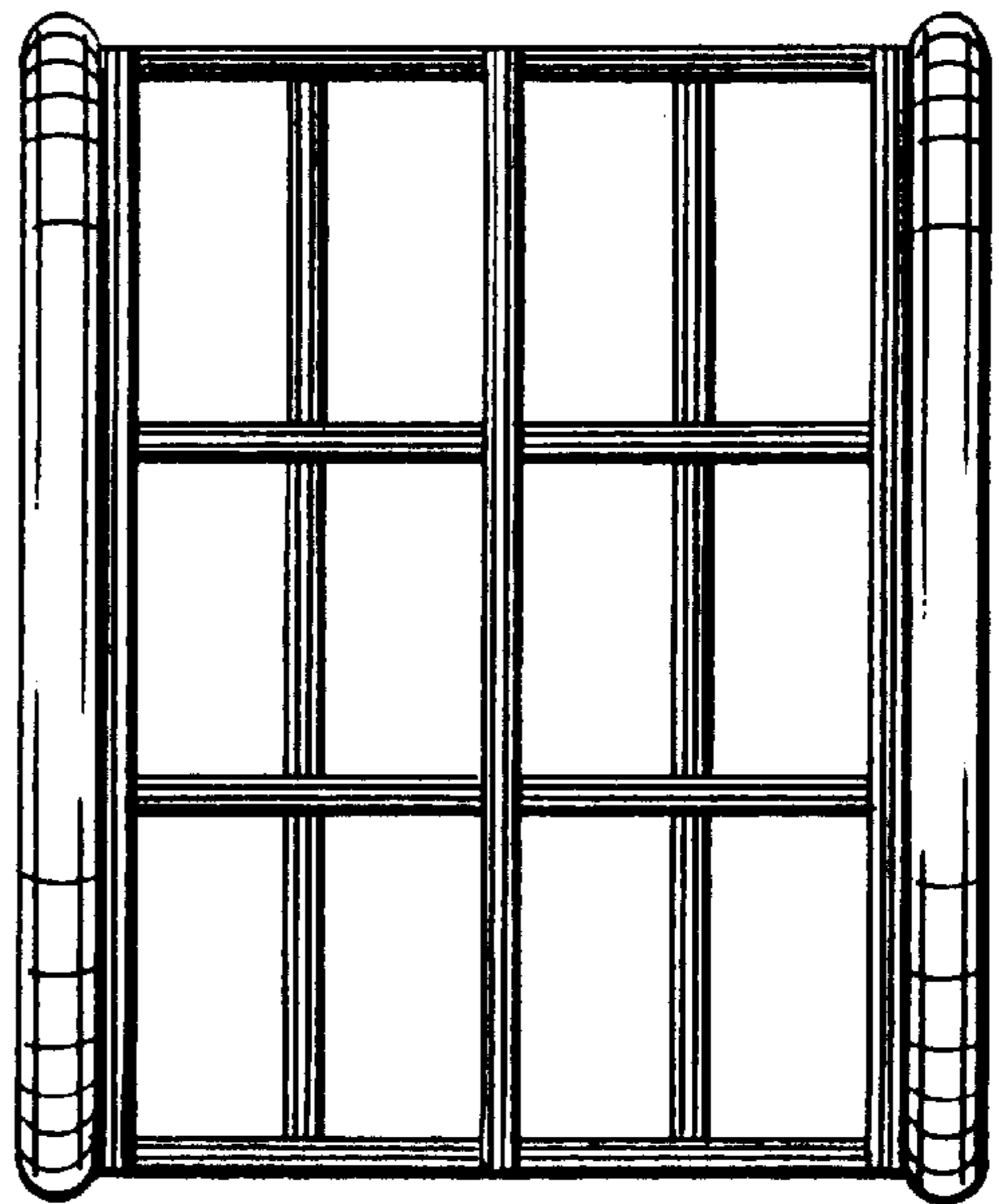


FIG. 4

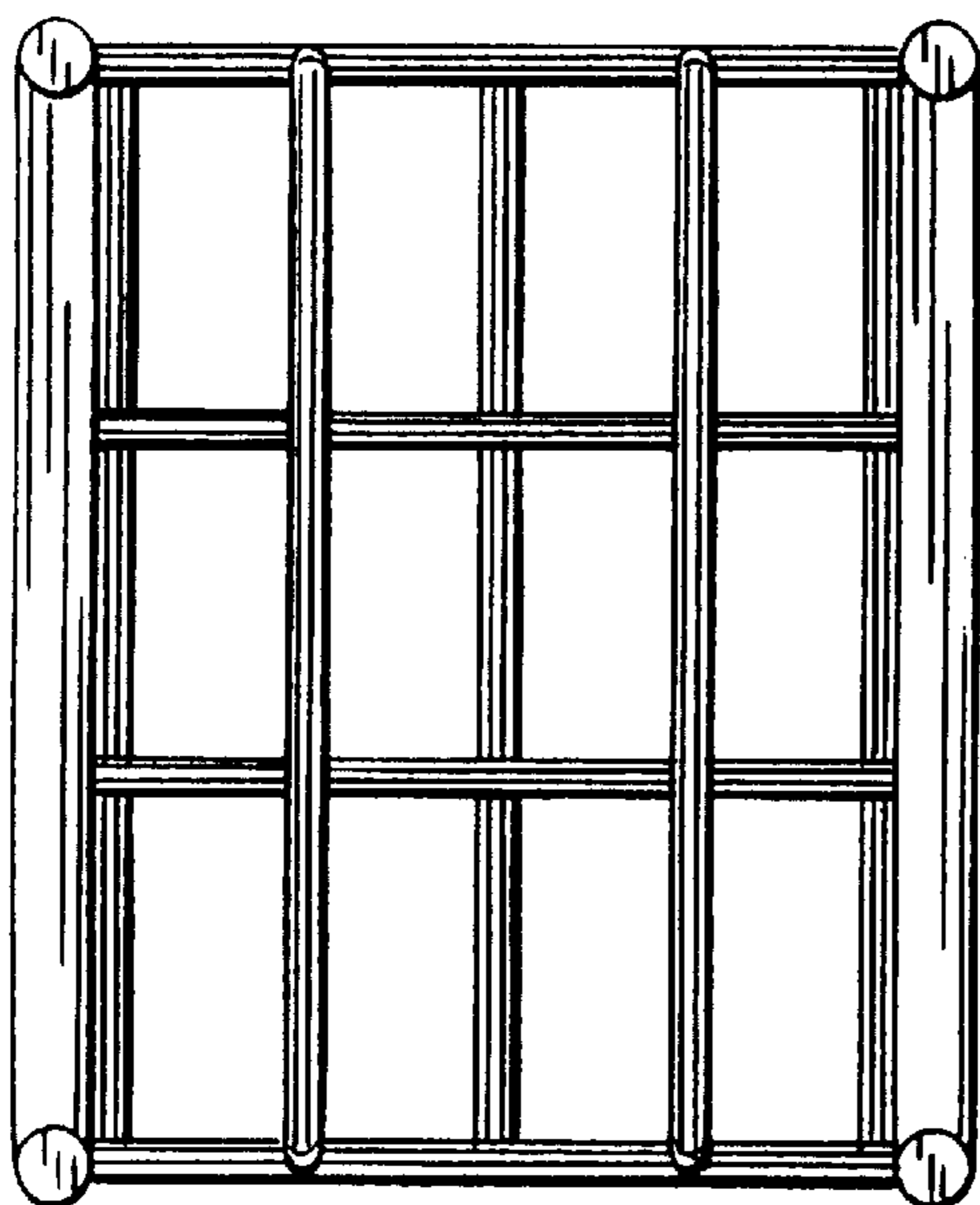


FIG. 5