



US00D405625S

# United States Patent [19]

Zaidman et al.

[11] Patent Number: **Des. 405,625**

[45] Date of Patent: **\*\*Feb. 16, 1999**

## [54] MODULAR DESK UNIT

[75] Inventors: **Paul Zaidman; Weldon Neufeld**, both of Winnipeg, Canada

[73] Assignee: **Palliser Furniture, Ltd.**, Winnipeg, Canada

[\*\*] Term: **14 Years**

[21] Appl. No.: **66,340**

[22] Filed: **Mar. 10, 1997**

[51] LOC (6) Cl. .... **06-04**

[52] U.S. Cl. .... **D6/426**

[58] Field of Search ..... D6/432-448, 422-428; 312/194-196, 204

## [56] References Cited

### U.S. PATENT DOCUMENTS

- D. 330,126 10/1992 O'Sullivan et al. .... D6/426
- 5,121,974 6/1992 Monson ..... 312/194

## OTHER PUBLICATIONS

“Young America-Polo-Mates” by Stanley furniture,p.5; desk and hutch on page, Nov. 1991.

*Primary Examiner*—Carmen H. Vales-Lado  
*Attorney, Agent, or Firm*—Pollock, Vande Sande & Amernick

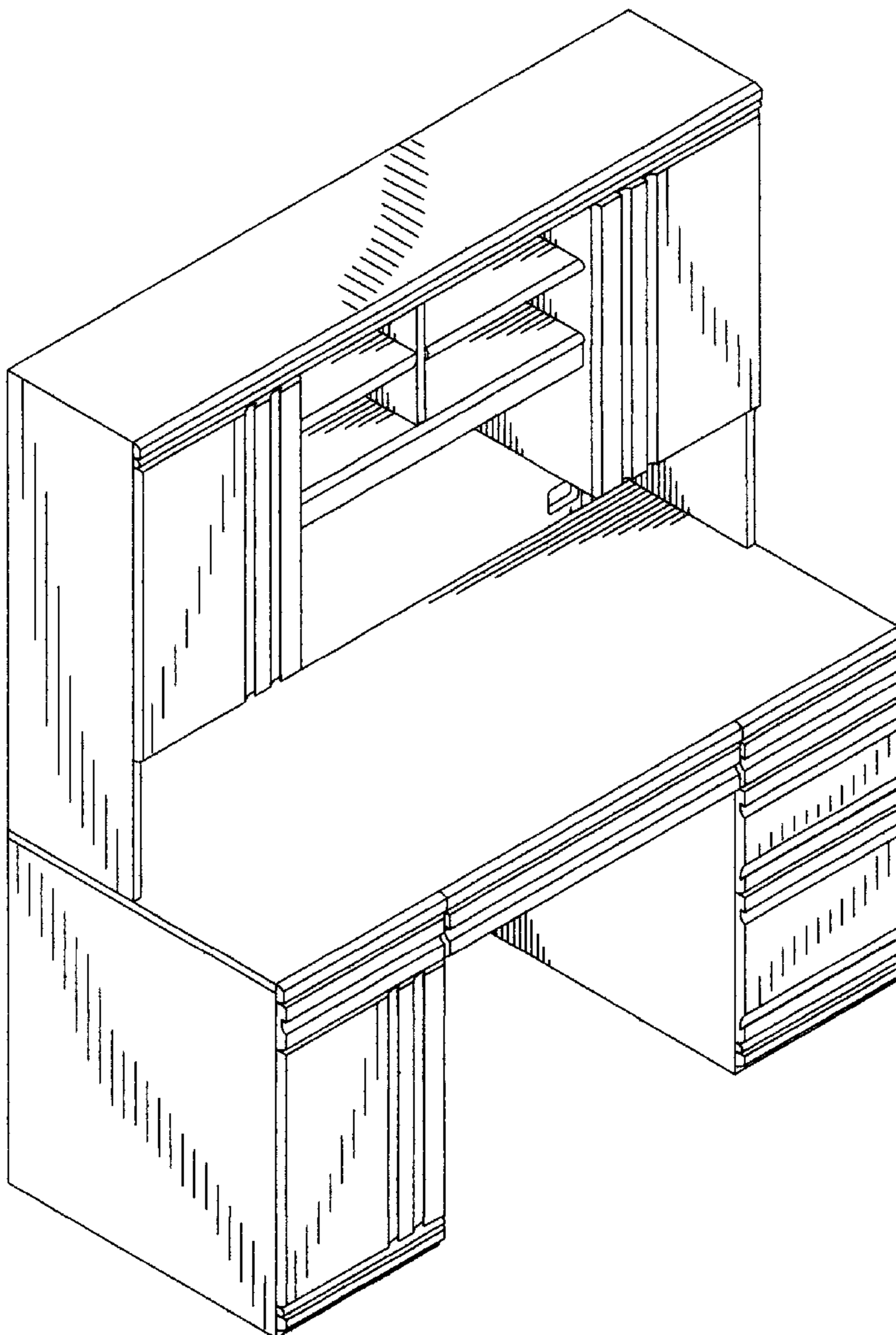
## [57] CLAIM

The ornamental design for a modular desk unit, as shown and described.

## DESCRIPTION

FIG. 1 is a top view of a modular desk unit showing our new design;  
FIG. 2 is a front view thereof;  
FIG. 3 is a left side elevational view as seen when in use; and,  
FIG. 4 is a top front perspective view thereof.  
The rear of the unit forms no part of the claimed design.

**1 Claim, 2 Drawing Sheets**



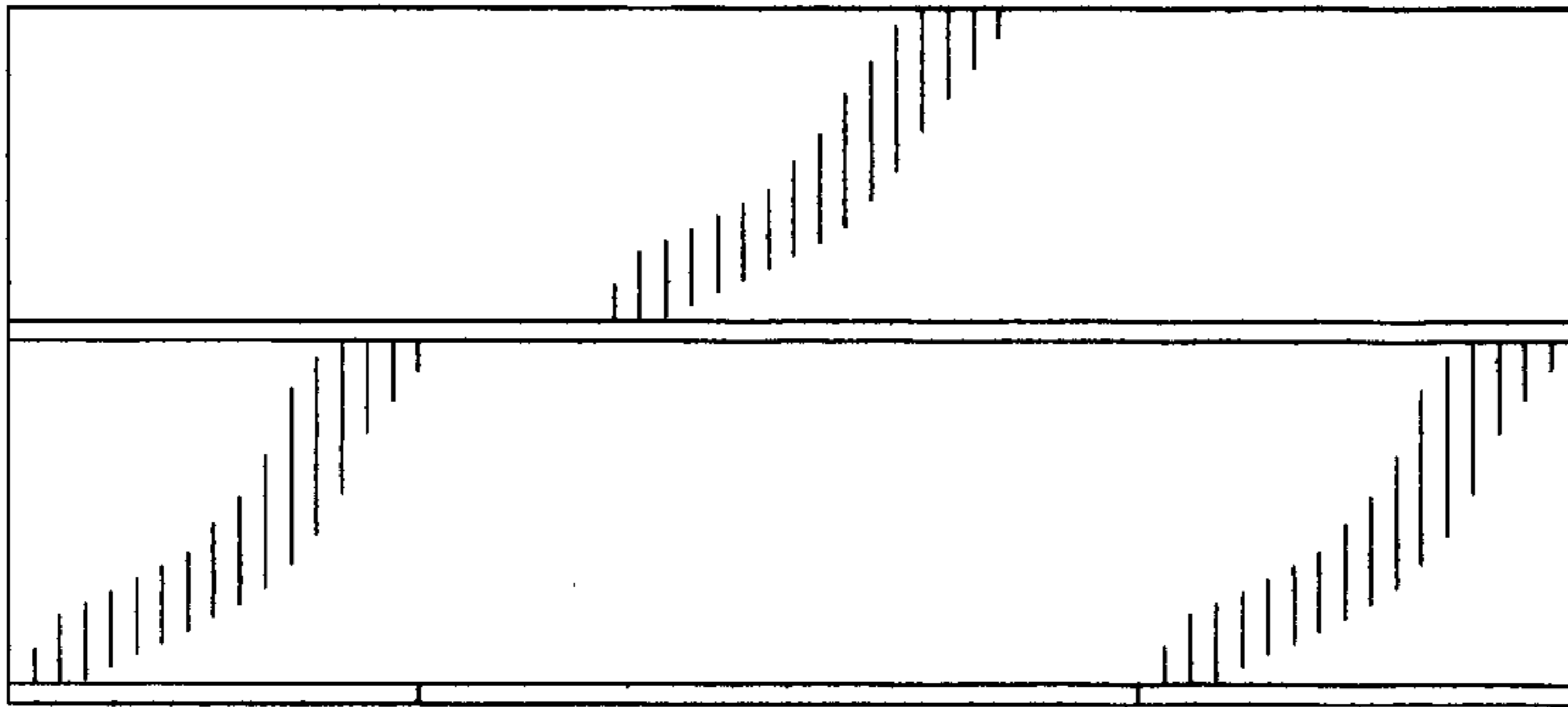


FIG. 1

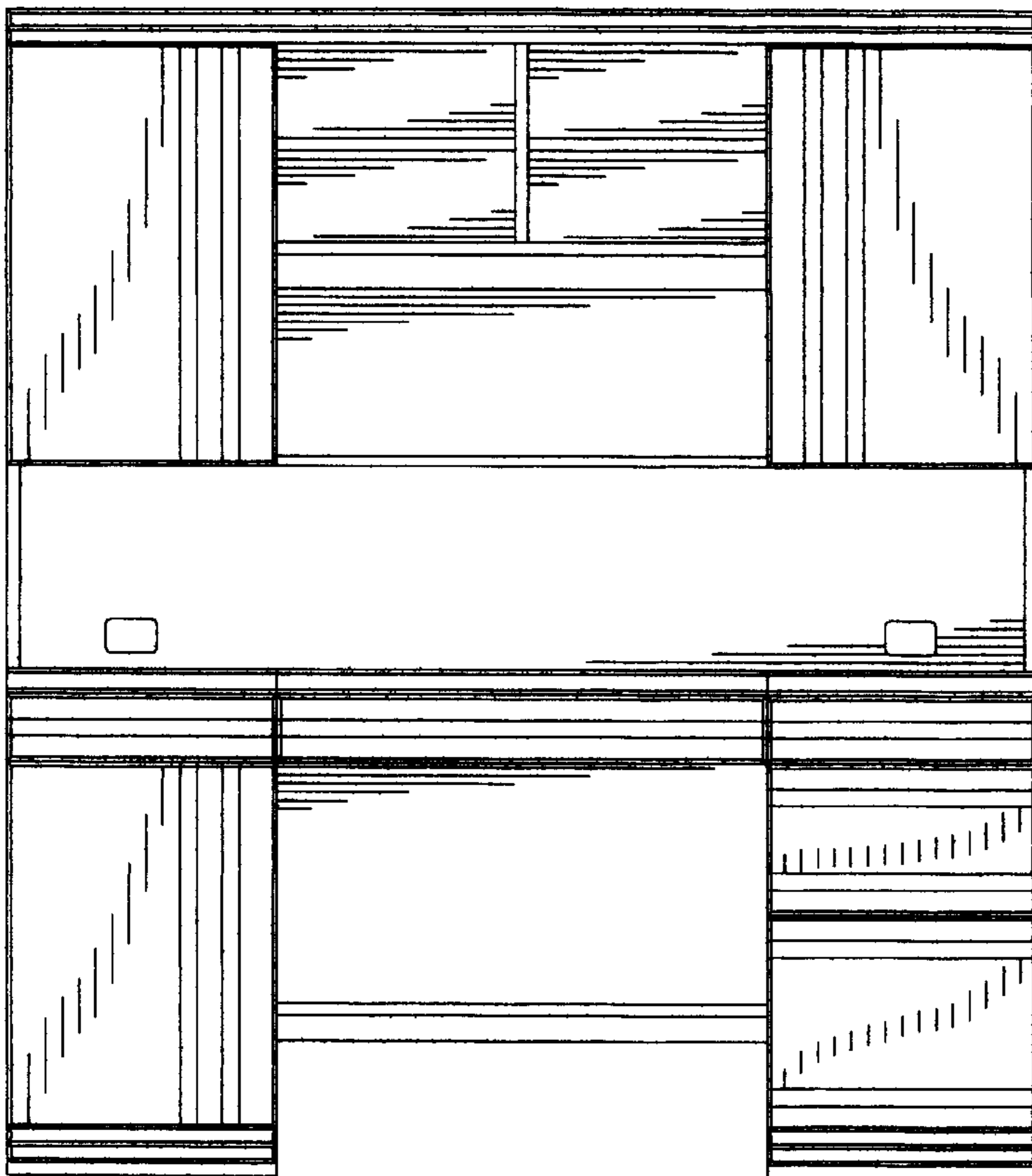


FIG. 2

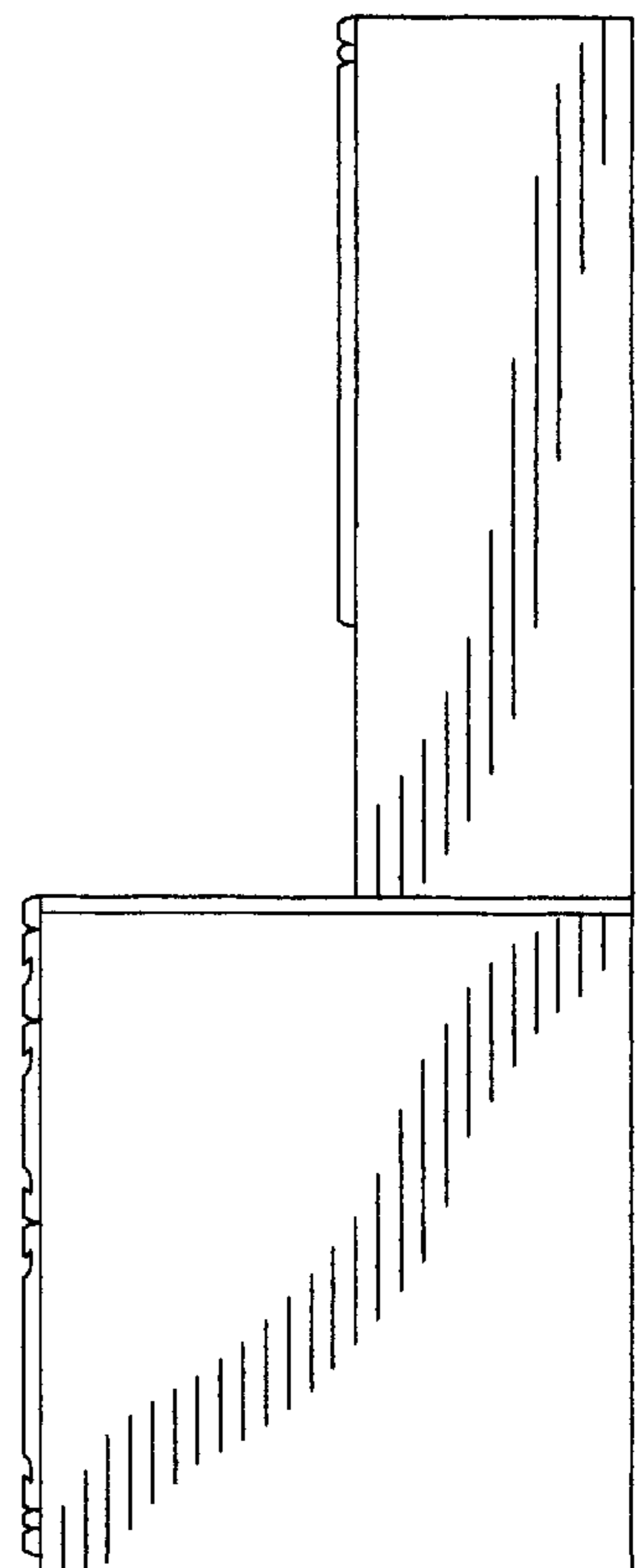


FIG. 3

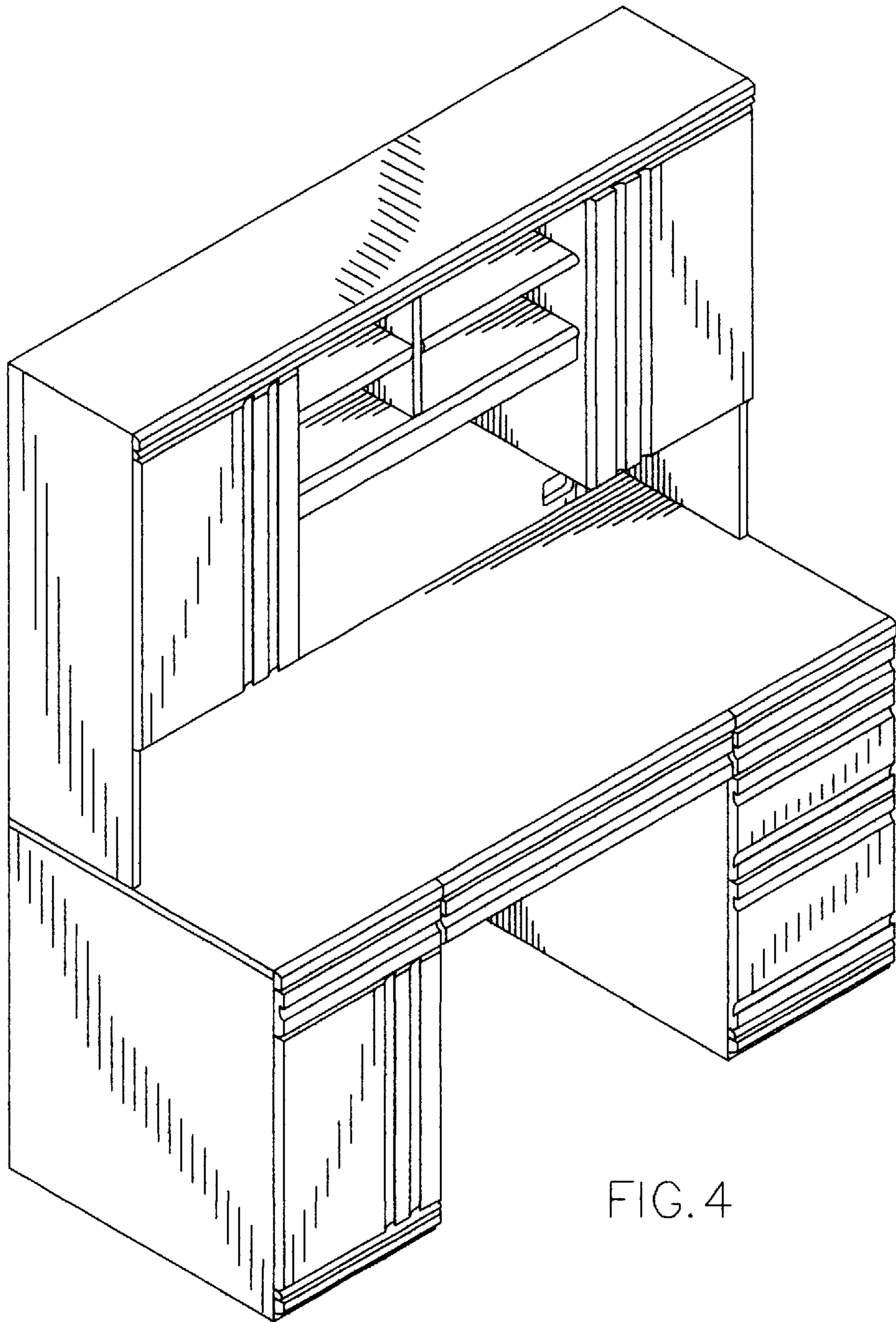


FIG. 4