



US00D405622S

# United States Patent [19] Linz

[11] Patent Number: **Des. 405,622**

[45] Date of Patent: **\*\*Feb. 16, 1999**

[54] **DISPLAY RACK**

5,645,176 7/1997 Jay ..... 211/59.2

[76] Inventor: **Arthur W. Linz**, 14 Deer Trail,  
Boonton Township, N.J. 07005

*Primary Examiner*—James Gandy  
*Assistant Examiner*—Linda Brooks  
*Attorney, Agent, or Firm*—Lerner, David, Littenberg  
Krumholz & Mentlik

[\*\*] Term: **14 Years**

[21] Appl. No.: **78,857**

[57] **CLAIM**

[22] Filed: **Nov. 5, 1997**

The ornamental design for a display rack, as shown and described.

[51] **LOC (6) Cl.** ..... **06-04**

[52] **U.S. Cl.** ..... **D6/408**

[58] **Field of Search** ..... D6/408, 449, 509–511,  
D6/466–468, 515, 517, 475, 476, 473;  
312/45, 36, 128; 211/184, 189, 195, 134,  
135, 59.2, 59.3, 59.4, 74; 206/736, 738,  
739, 740, 745, 750–754, 756, 761; 221/123,  
282, 286

**DESCRIPTION**

FIG. 1 is a perspective view of a display rack showing my new design;  
FIG. 2 is a front elevational view;  
FIG. 3 is a right side elevational view, the left side elevational view being a mirror image thereof;  
FIG. 4 is a top plan view;  
FIG. 5 is a bottom plan view; and,  
FIG. 6 is a perspective view of a second embodiment of FIG. 1, the only difference being the addition of three adjoining display racks, it being understood that all the other surfaces are the same as shown in the embodiment of FIG. 1.  
The broken line showing of environmental structure as well as the broken lines which define the boundaries of the claimed design form no part thereof.

[56] **References Cited**

**U.S. PATENT DOCUMENTS**

D. 290,790	7/1987	Nathan et al.	.....	D6/408
D. 342,420	12/1993	Ienna	.....	D6/517
D. 380,113	6/1997	Byrd	.....	D6/515
2,888,145	5/1959	Knott et al.	.....	211/59.2
4,356,923	11/1982	Young et al.	.....	211/184 X
4,474,297	10/1984	Zucker	.....	312/45 X

**1 Claim, 4 Drawing Sheets**

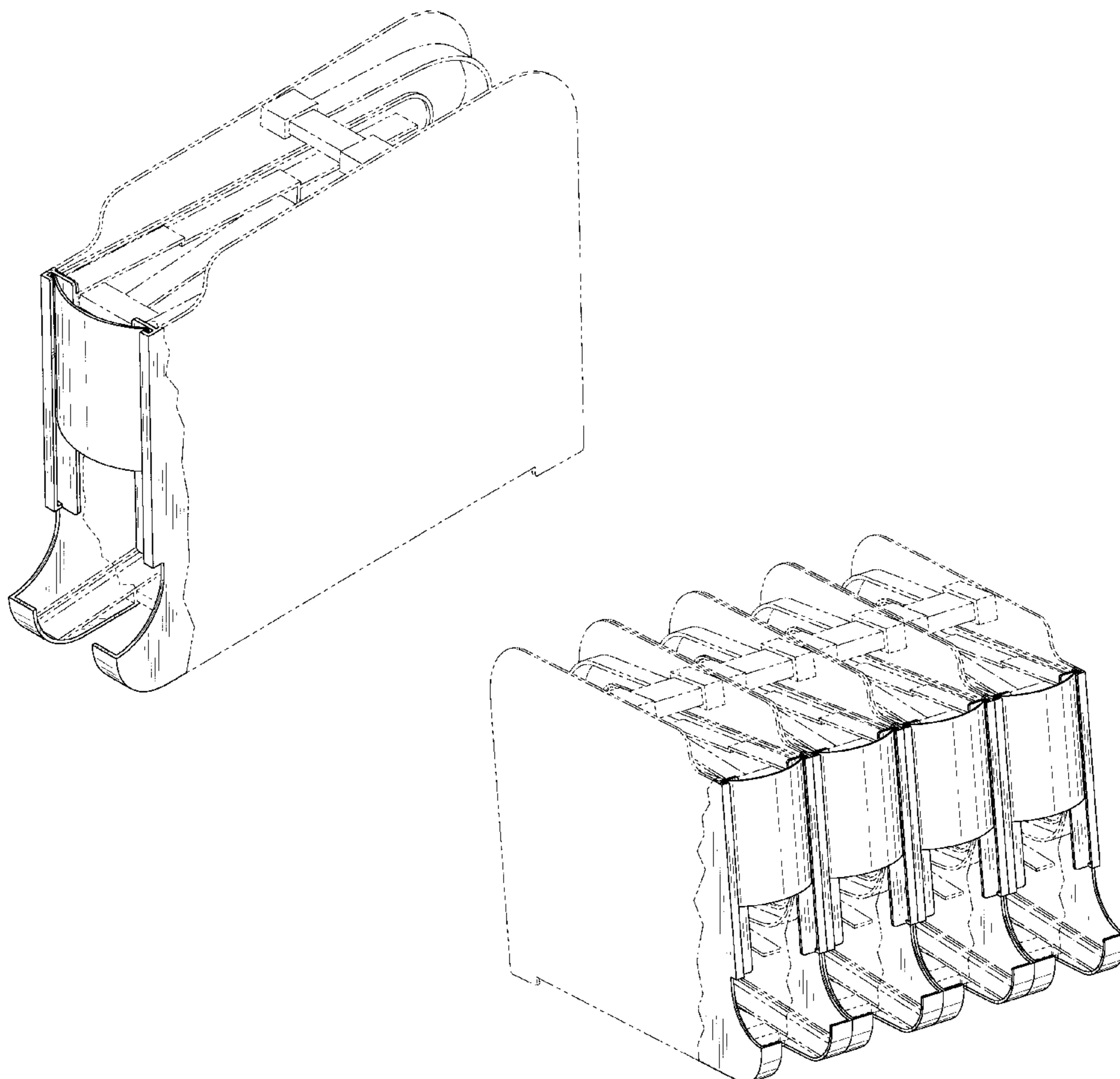


FIG. 1

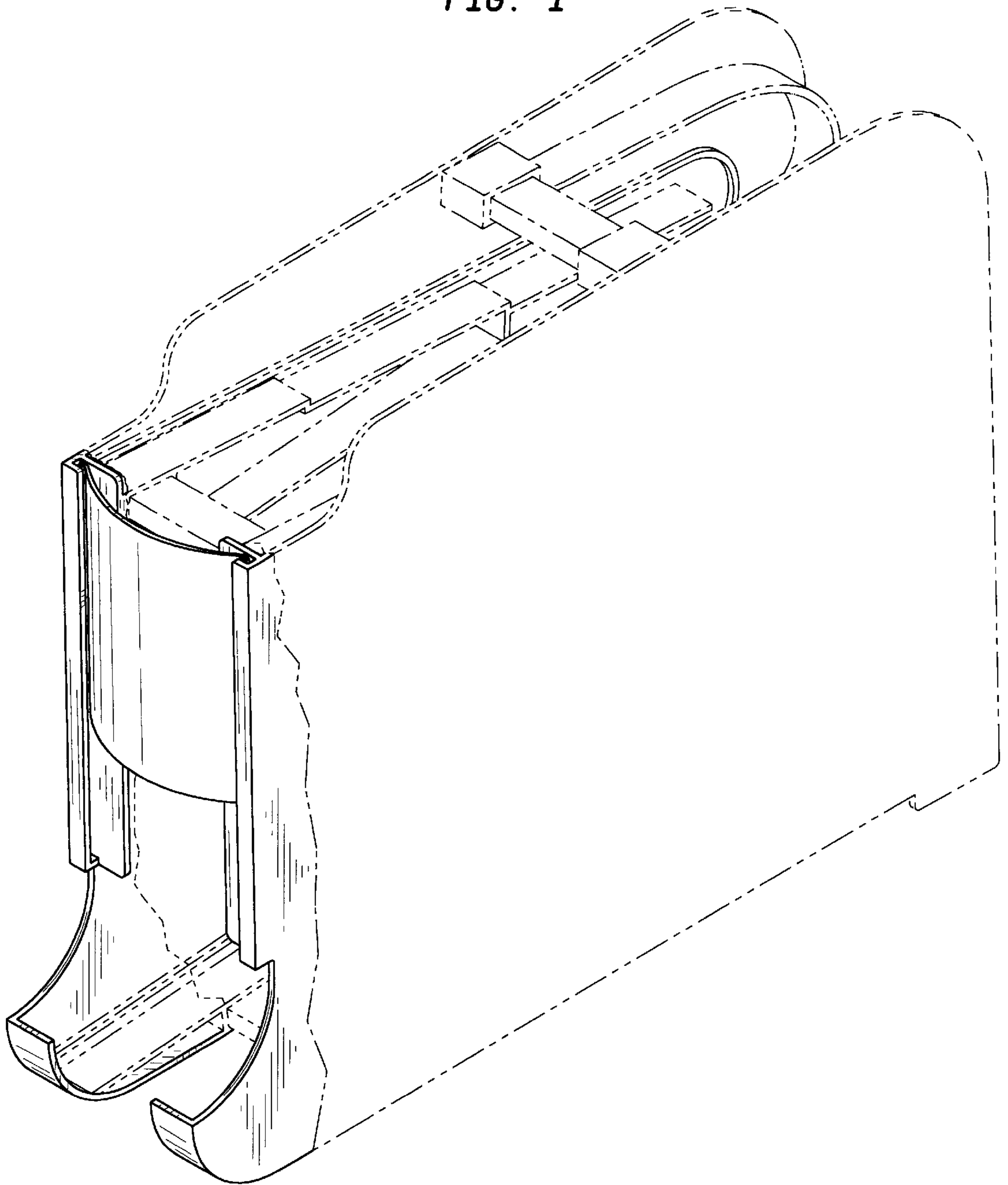


FIG. 2

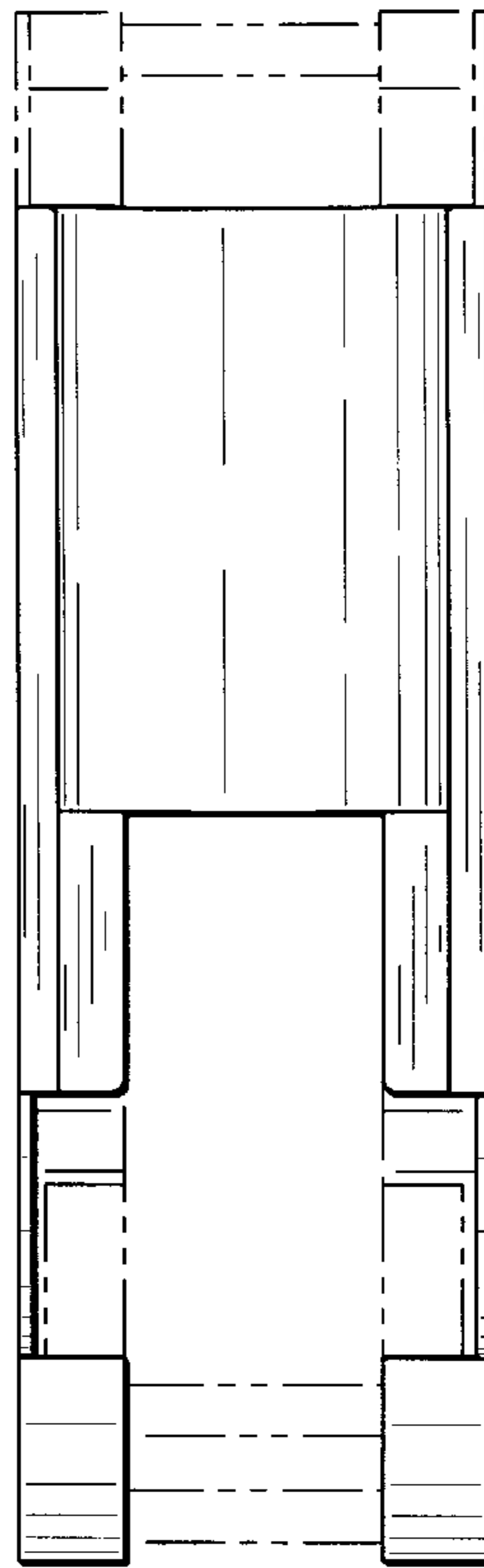


FIG. 3

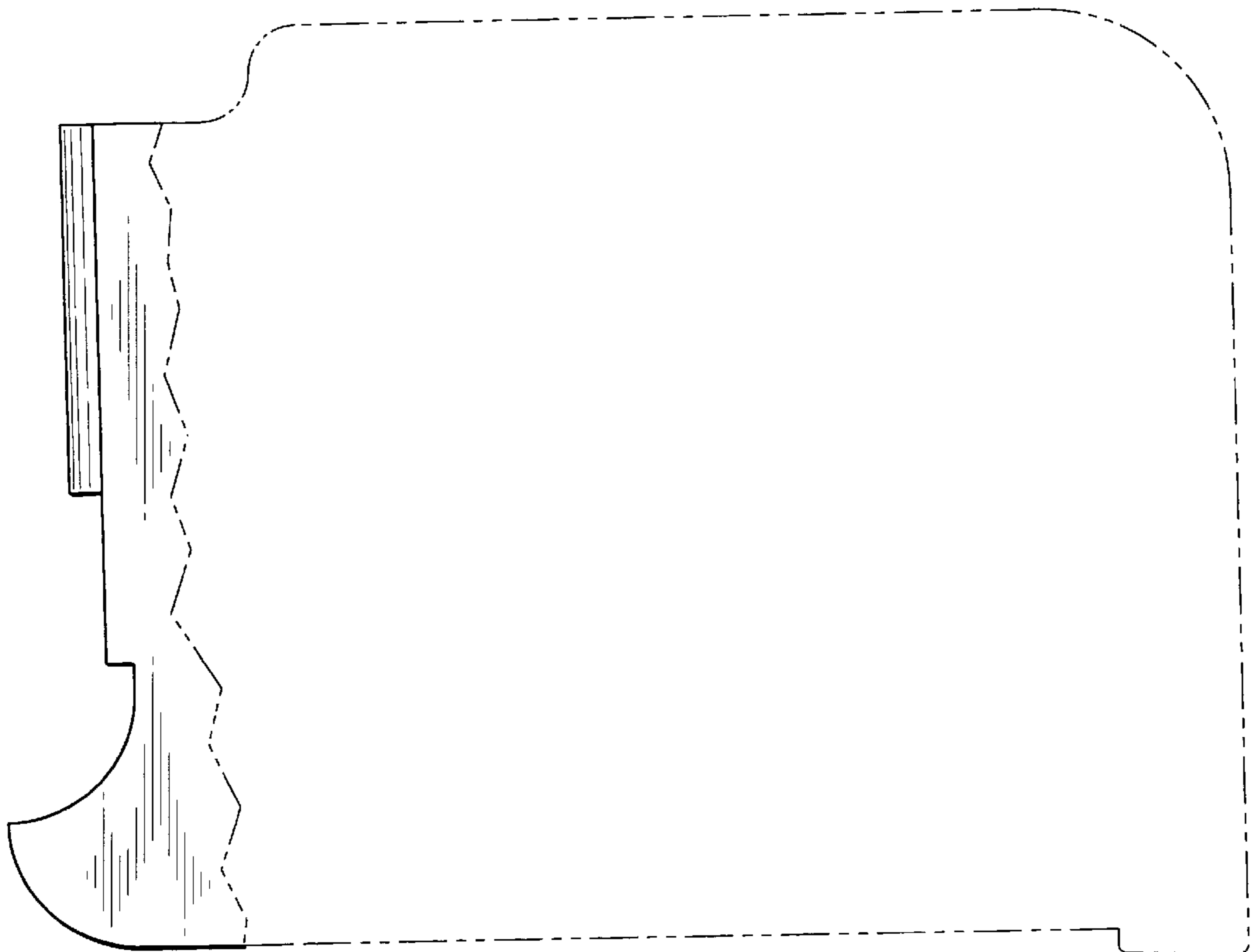


FIG. 4

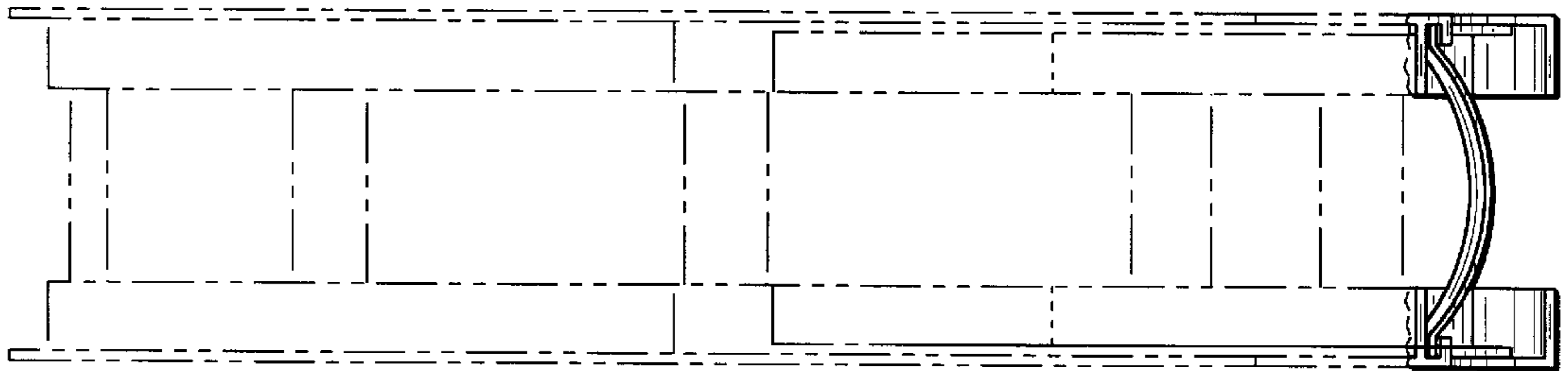
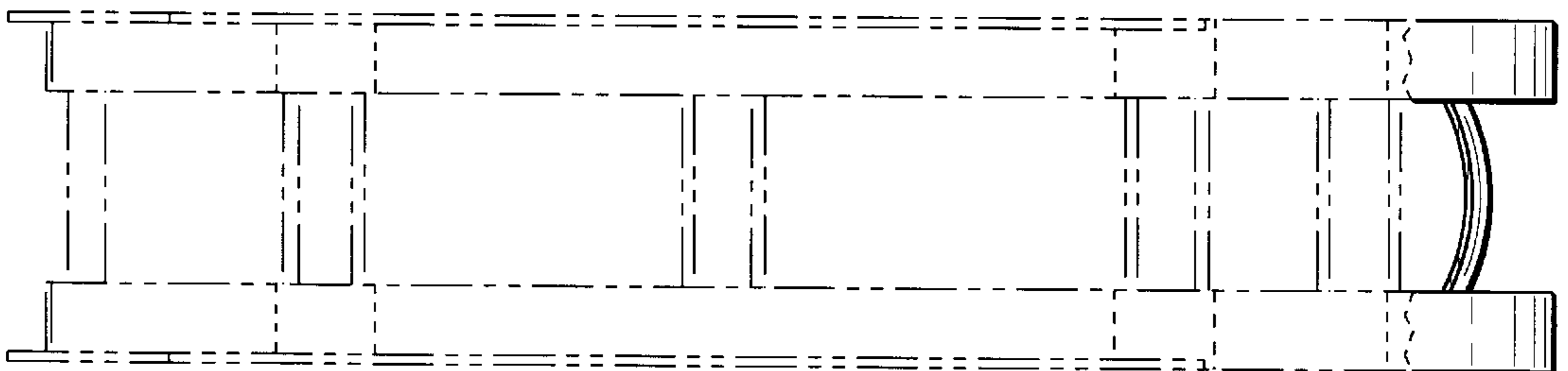


FIG. 5



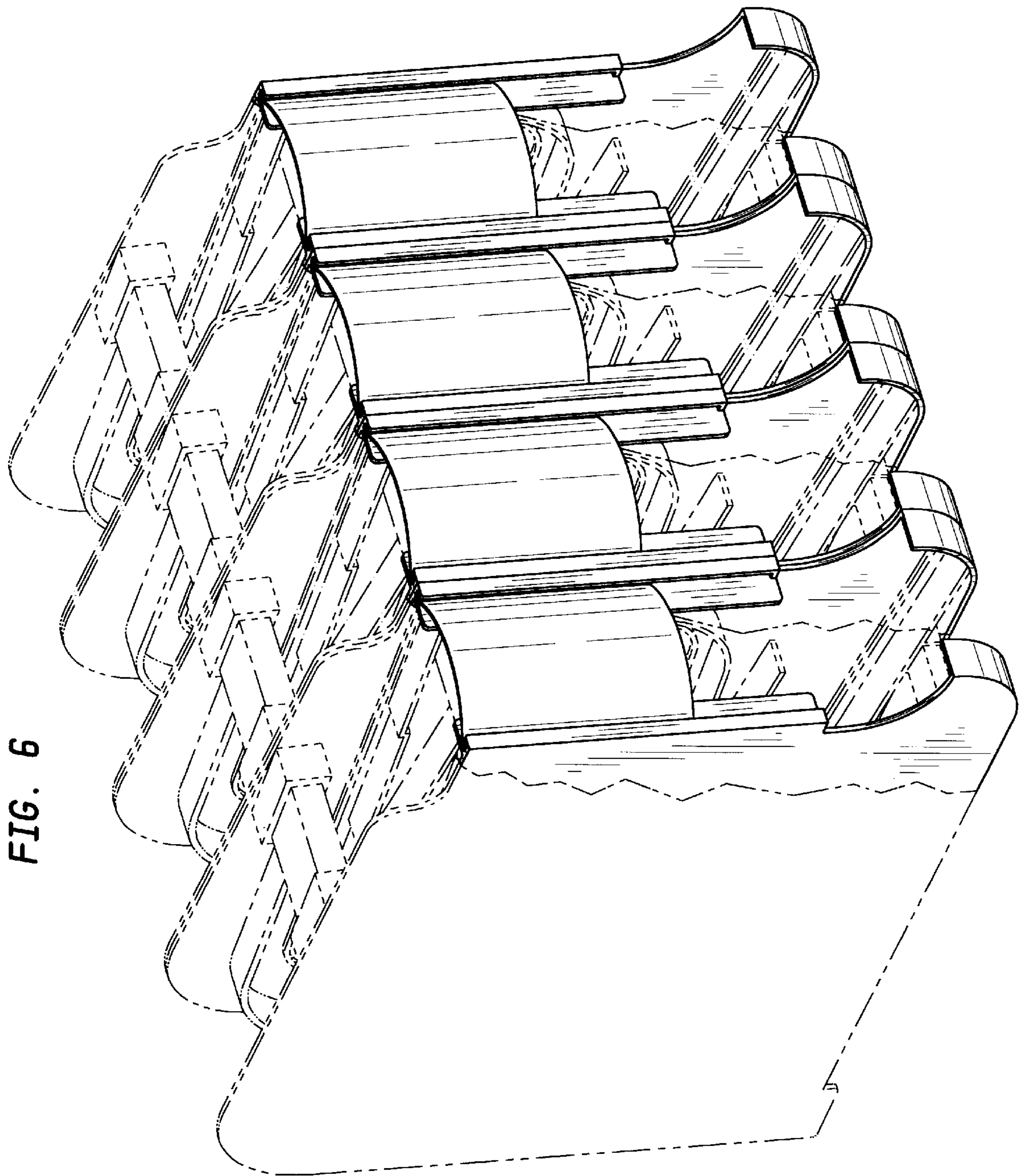


FIG. 6