



US00D405621S

United States Patent [19] Myers

[11] **Patent Number: Des. 405,621**

[45] **Date of Patent: **Feb. 16, 1999**

[54] **LAPTOP FOOD TRAY**

[76] Inventor: **David G Myers**, P.O. Box 693
Bankhead Rd., Denver, N.C. 28037

[**] Term: **14 Years**

[21] Appl. No.: **87,718**

[22] Filed: **May 7, 1998**

[51] **LOC (6) Cl. 06-06**

[52] **U.S. Cl. D6/406.2; D6/406.6; D7/552.1;
D7/553.5**

[58] **Field of Search D7/552.1, 552.2,
D7/553.1, 553.3, 553.2, 553.4, 601, 698,
553.5; D6/406.1, 406.2, 406.3, 406.4, 406.5,
406.6, 419, 420; 108/43, 44; 224/926, 492;
206/561**

[56] **References Cited**

U.S. PATENT DOCUMENTS

D. 183,580	9/1958	Seaford	D6/406.5 X
D. 220,774	5/1971	Goings	D7/553.4
D. 312,171	11/1990	Roth	D7/553.4
D. 341,994	12/1993	Kincannon et al.	D7/601
D. 380,944	7/1997	Nielsen	D7/698
D. 389,665	1/1998	Ackerman	D7/552.1 X

1,593,834	7/1926	Mcneal et al.	D7/552.1 X
5,520,119	5/1996	Eisenberg	D6/406.5 X
5,686,468	11/1997	Hernandez et al.	224/492

Primary Examiner—M. N. Pandozzi

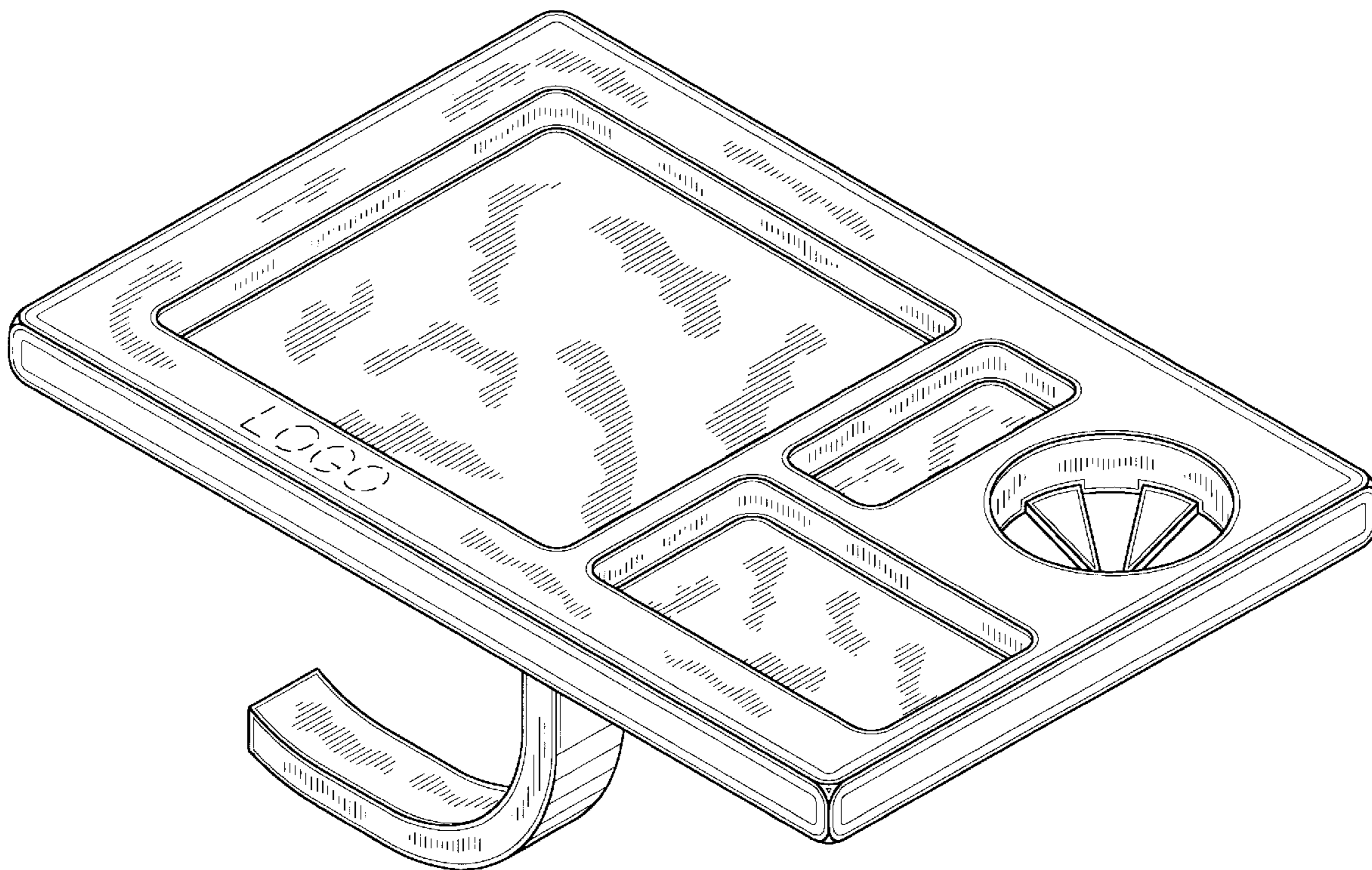
[57] **CLAIM**

The ornamental design for a laptop food tray, as shown.

DESCRIPTION

FIG. 1 is a front elevational view of the laptop food tray of the present invention;
 FIG. 2 is a back elevational view of the laptop food tray of FIG. 1;
 FIG. 3 is a left side elevational view of the laptop food tray of FIG. 1;
 FIG. 4 is a right side elevational view of the laptop food tray of FIG. 1;
 FIG. 5 is a top plan view of the laptop food tray of FIG. 1;
 FIG. 6 is a bottom plan view of the laptop food tray of FIG. 1; and,
 FIG. 7 is a top, front, right side perspective view of the laptop food tray of FIG. 1.
 The broken lines in FIGS. 5 and 7 are for illustrative purposes only and forms no part of the claimed design.

1 Claim, 4 Drawing Sheets



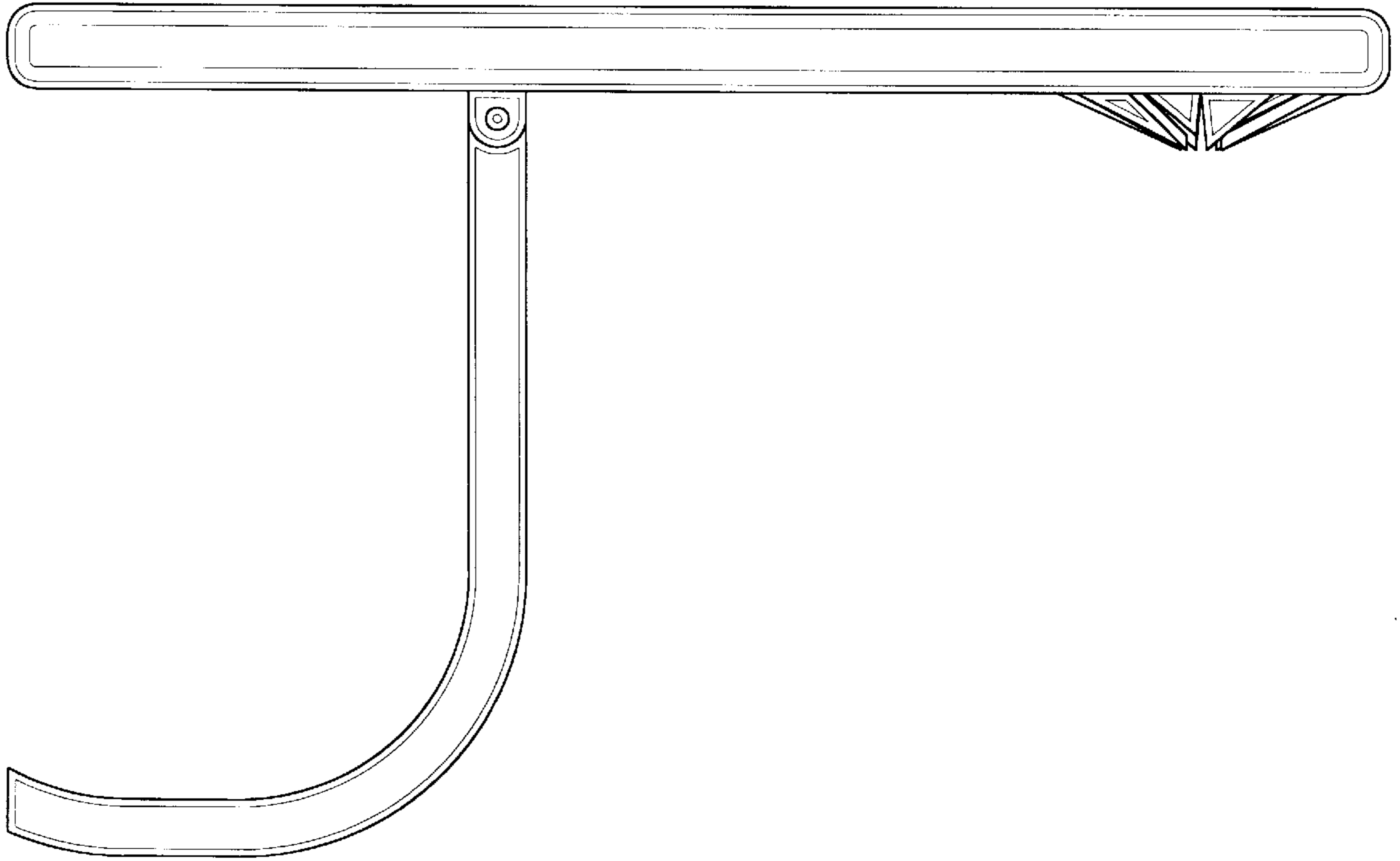


Fig. 1

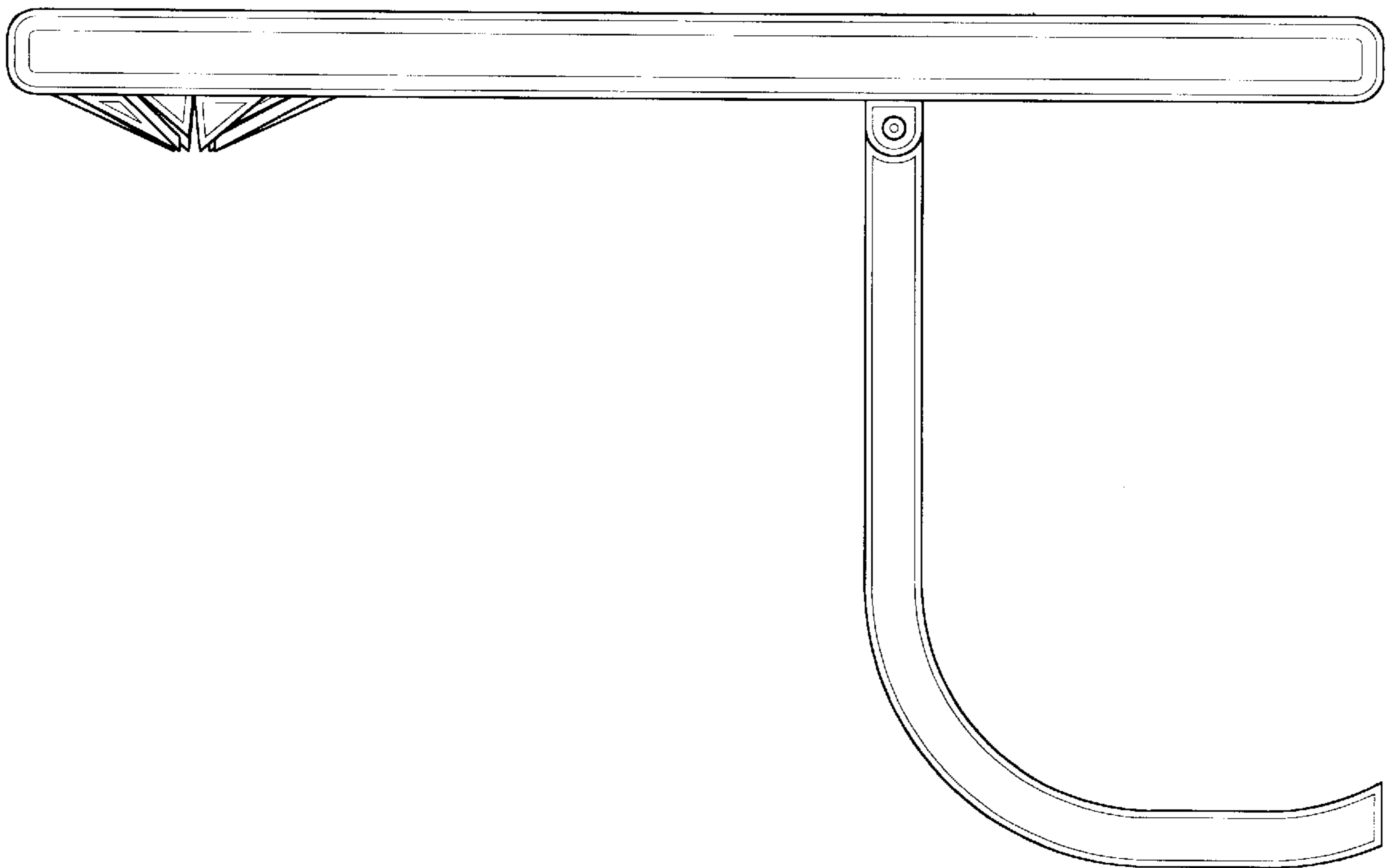


Fig. 2

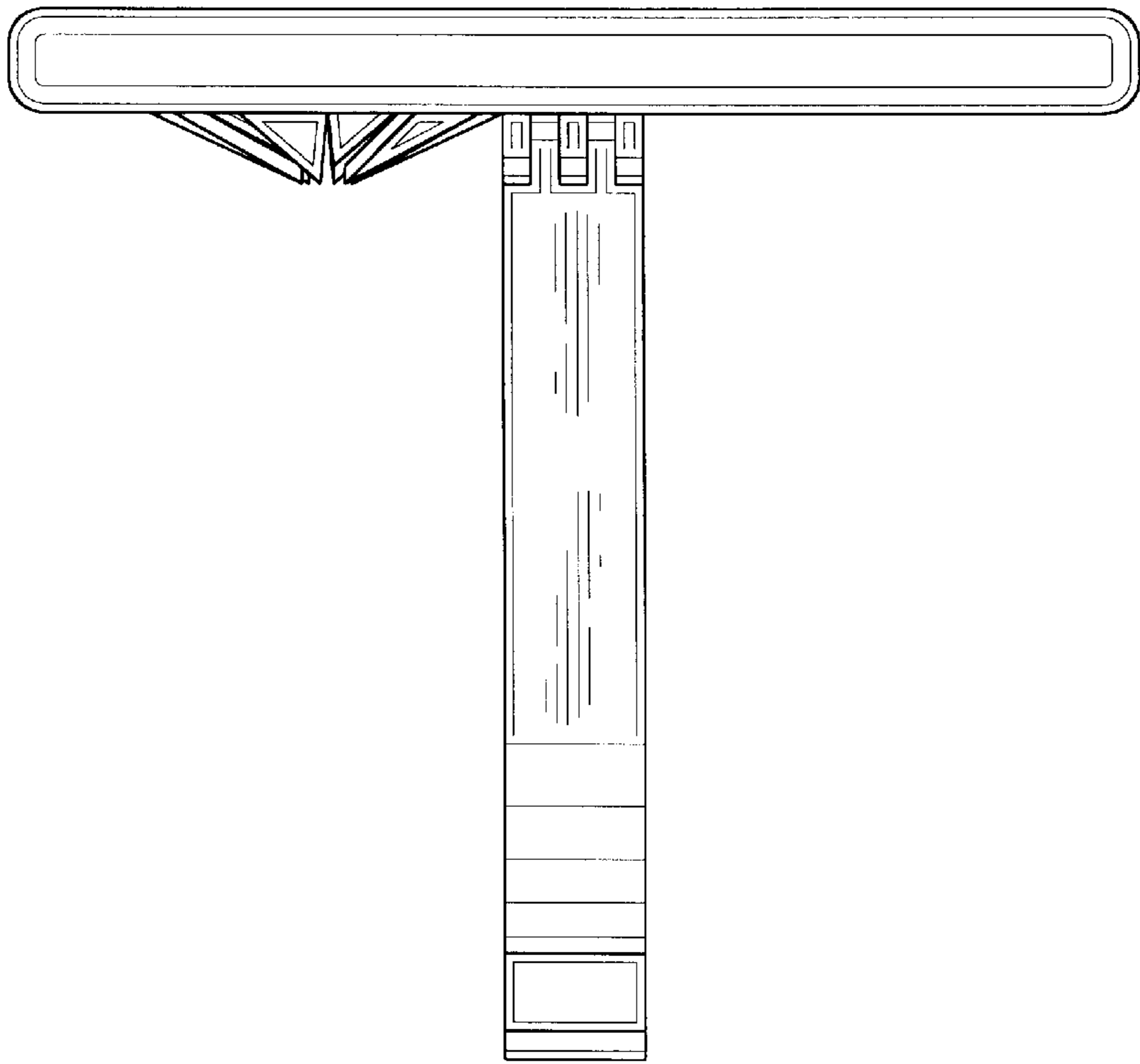


Fig. 3

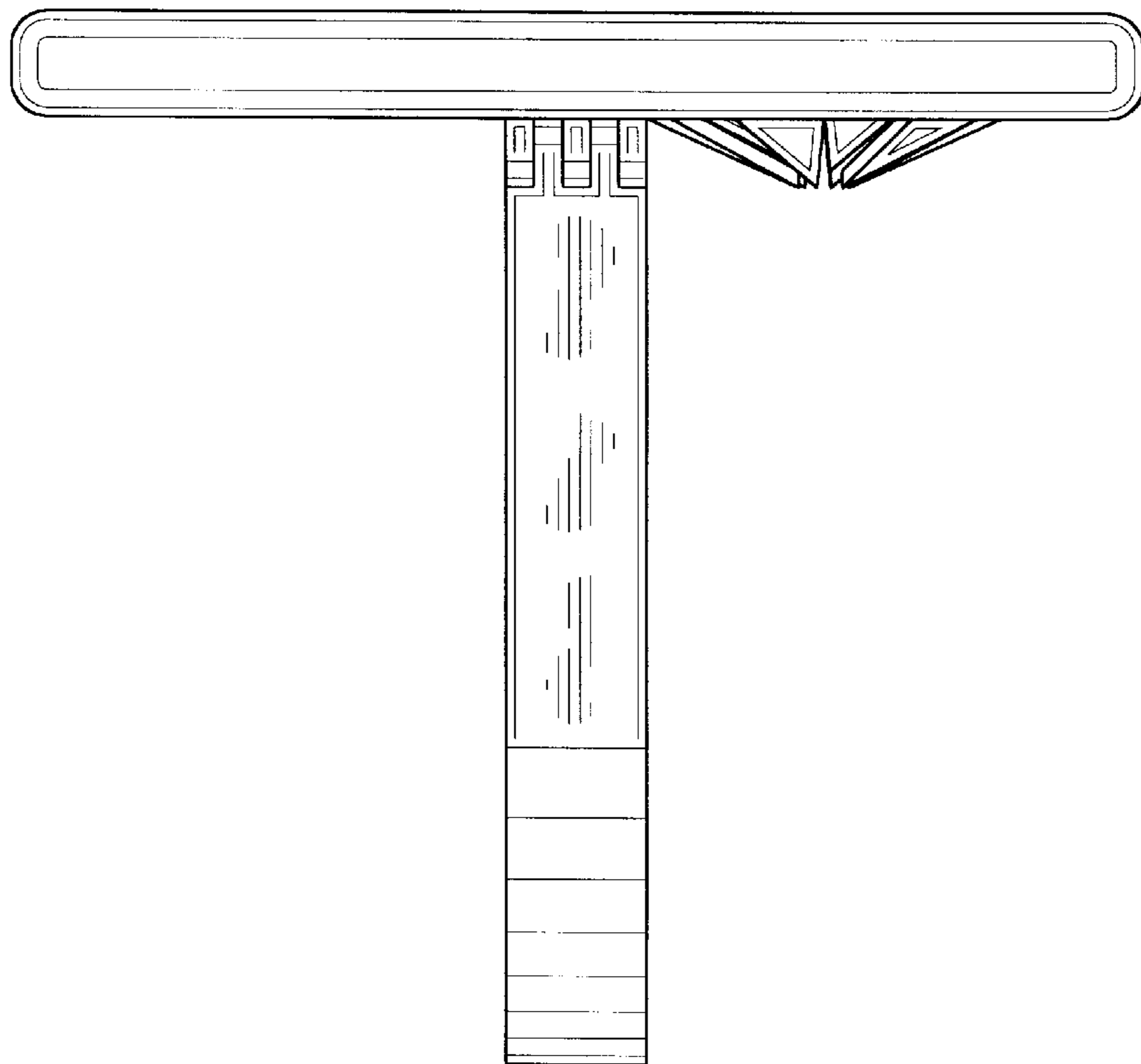


Fig. 4

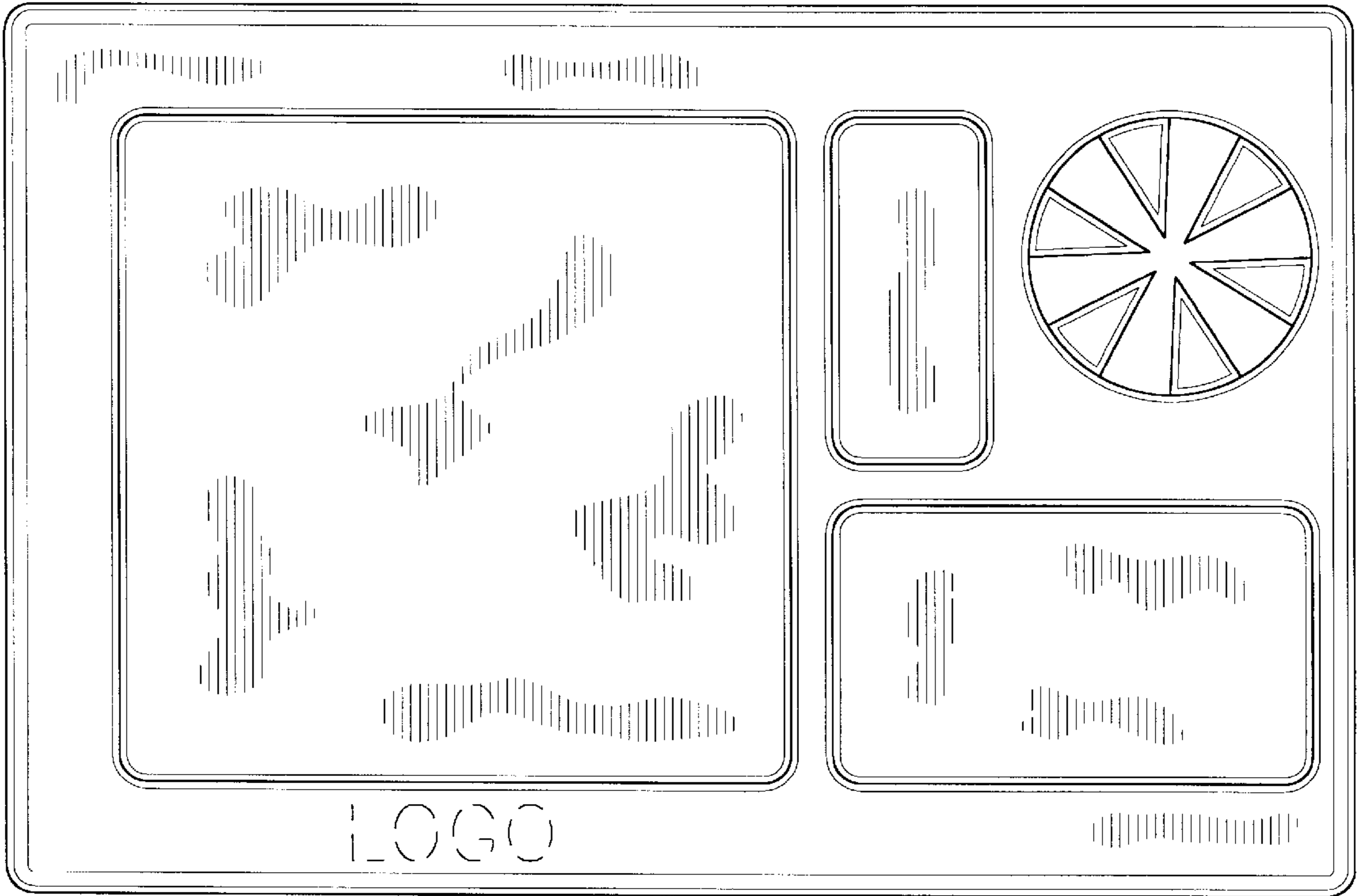


Fig. 5

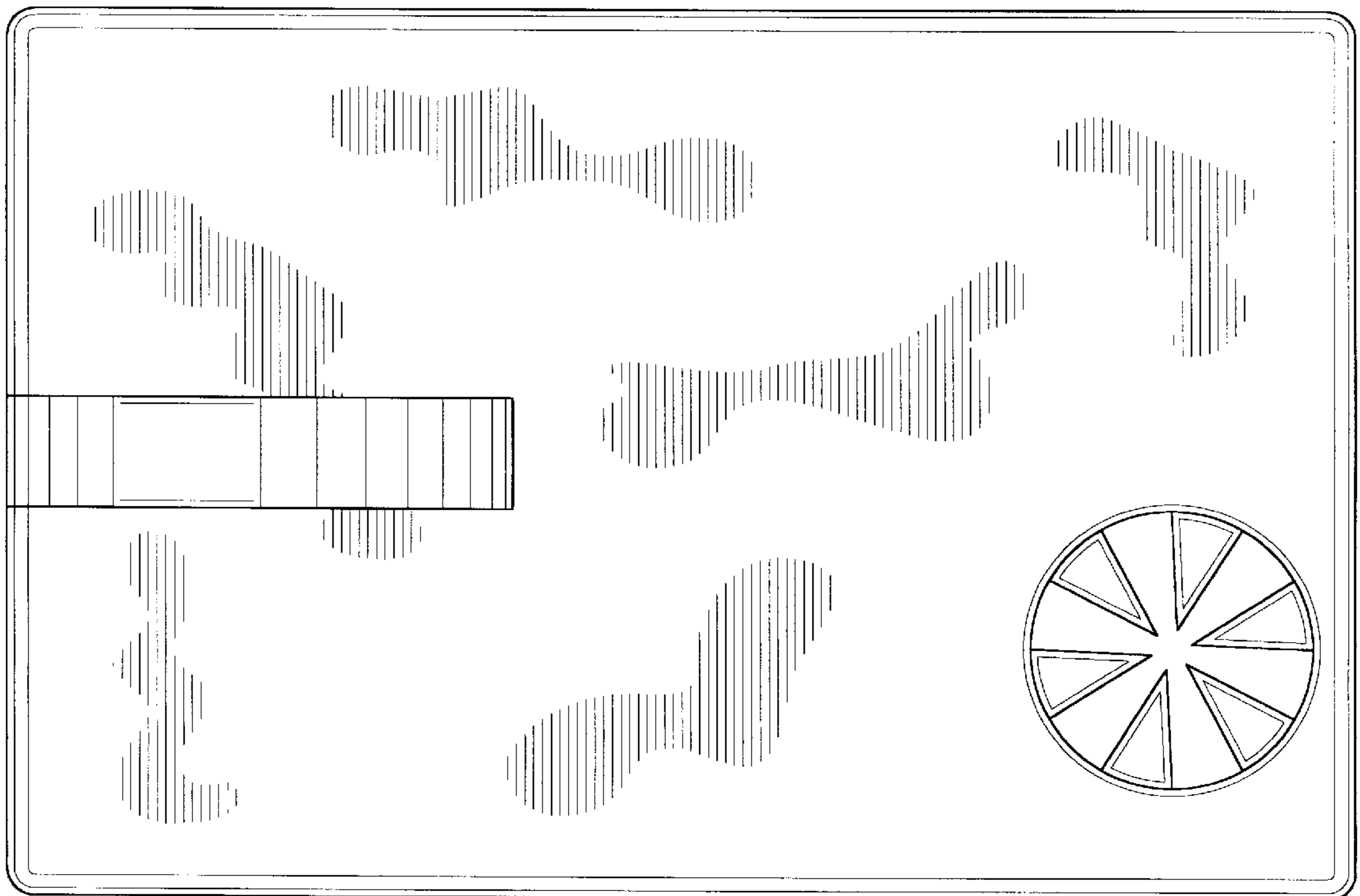


Fig. 6

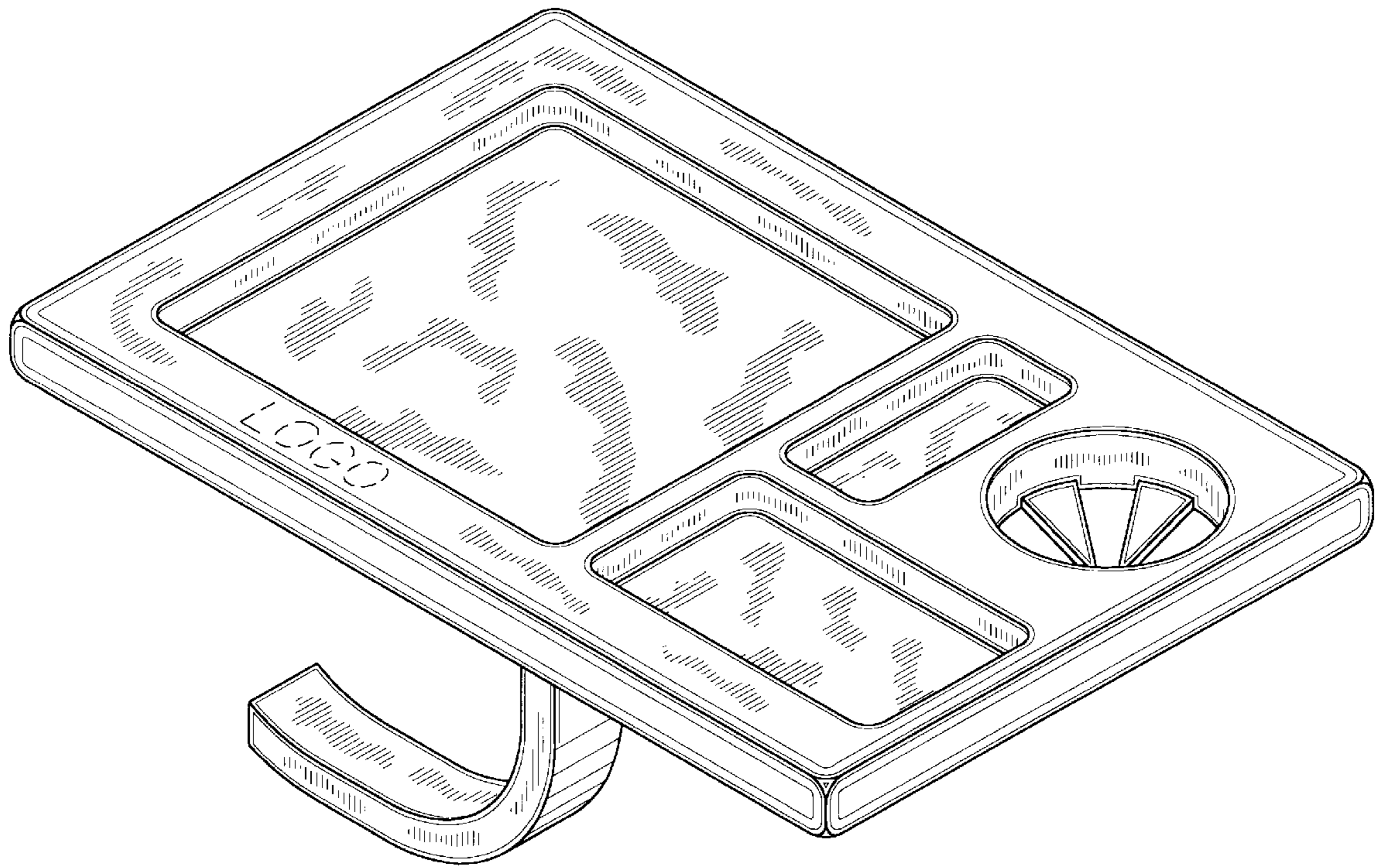


Fig. 7