



US00D405618S

United States Patent [19]
Reutepohler et al.

[11] **Patent Number: Des. 405,618**

[45] **Date of Patent: **Feb. 16, 1999**

[54] **CHAIR**

D. 370,789 6/1996 Groulx D6/366

[75] Inventors: **Curtis Joe Reutepohler**, Jasper;
Marcus Koepke, Carmel, both of Ind.

Primary Examiner—Gary D. Watson
Attorney, Agent, or Firm—Baker & Daniels

[73] Assignee: **Kimball International, Inc.**, Jasper,
Ind.

[57] **CLAIM**

The ornamental design for a chair, as shown and described.

[**] Term: **14 Years**

DESCRIPTION

[21] Appl. No.: **64,148**

FIG. 1 is a left-front perspective view of the chair showing our new design;

[22] Filed: **Dec. 23, 1996**

FIG. 2 is a left-front perspective view of a second embodiment of the chair showing our new design, wherein the sole difference is the configuration of the armrest members;

[51] **LOC (6) Cl.** **06-01**

[52] **U.S. Cl.** **D6/366**

[58] **Field of Search** D6/334, 364, 365,
D6/366, 379, 500, 501, 502; 297/411.2

FIG. 3 is a front view of the chair shown in FIG. 1;

FIG. 4 is a rear view of the chair shown in FIG. 1;

FIG. 5 is a left side view of the chair shown in FIG. 1;

FIG. 6 is a right side view of the chair shown in FIG. 1;

FIG. 7 is a top view of the chair shown in FIG. 1;

FIG. 8 is a bottom view of the chair shown in FIG. 1;

FIG. 9 is a left-front perspective view of a third embodiment of the chair shown in FIG. 1, wherein the sole difference is the height of the backrest; and,

FIG. 10 is a left-front perspective view of a fourth embodiment of the chair shown in FIG. 1, wherein the sole differences are the height of the backrest and the configuration of the armrest members.

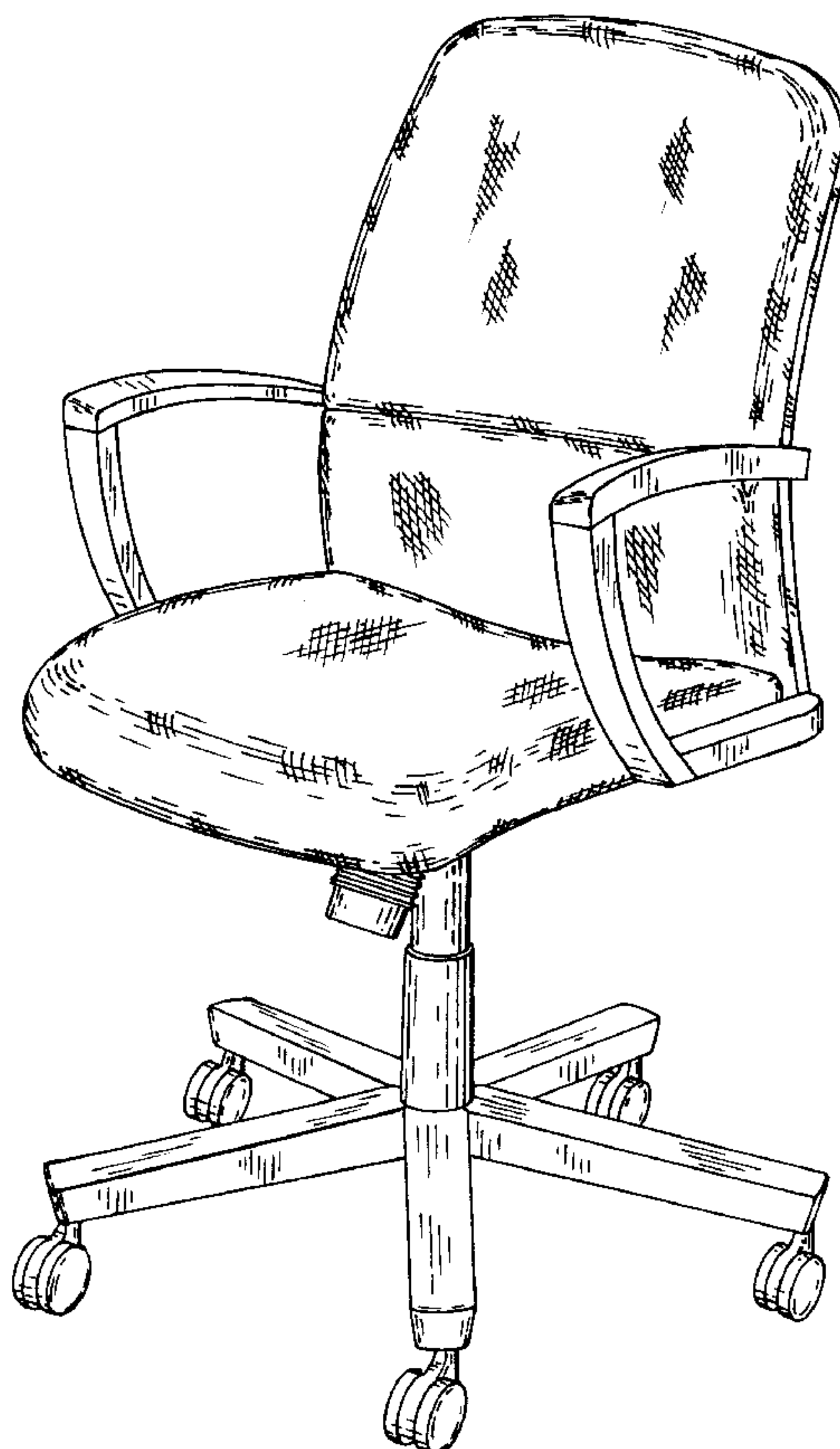
The fragmented cross-hatching represents fabric, which would be continuous throughout the implied areas.

[56] **References Cited**

U.S. PATENT DOCUMENTS

D. 204,374	4/1966	Bergstrom	D6/366
D. 236,302	8/1975	Prislow	D6/366
D. 296,735	7/1988	Hollington	D6/366
D. 320,507	10/1991	Shields	D6/366
D. 322,898	1/1992	Zapp	D6/366
D. 347,333	5/1994	von Klier	D6/366
D. 348,570	7/1994	Scheper et al.	D6/366
D. 348,786	7/1994	Tolleson et al.	D6/366
D. 353,268	12/1994	Ambasz	D6/366
D. 354,631	1/1995	Orlandini et al.	D6/366
D. 355,303	2/1995	Scheper et al.	D6/366
D. 357,130	4/1995	Schultz	D6/366

1 Claim, 5 Drawing Sheets



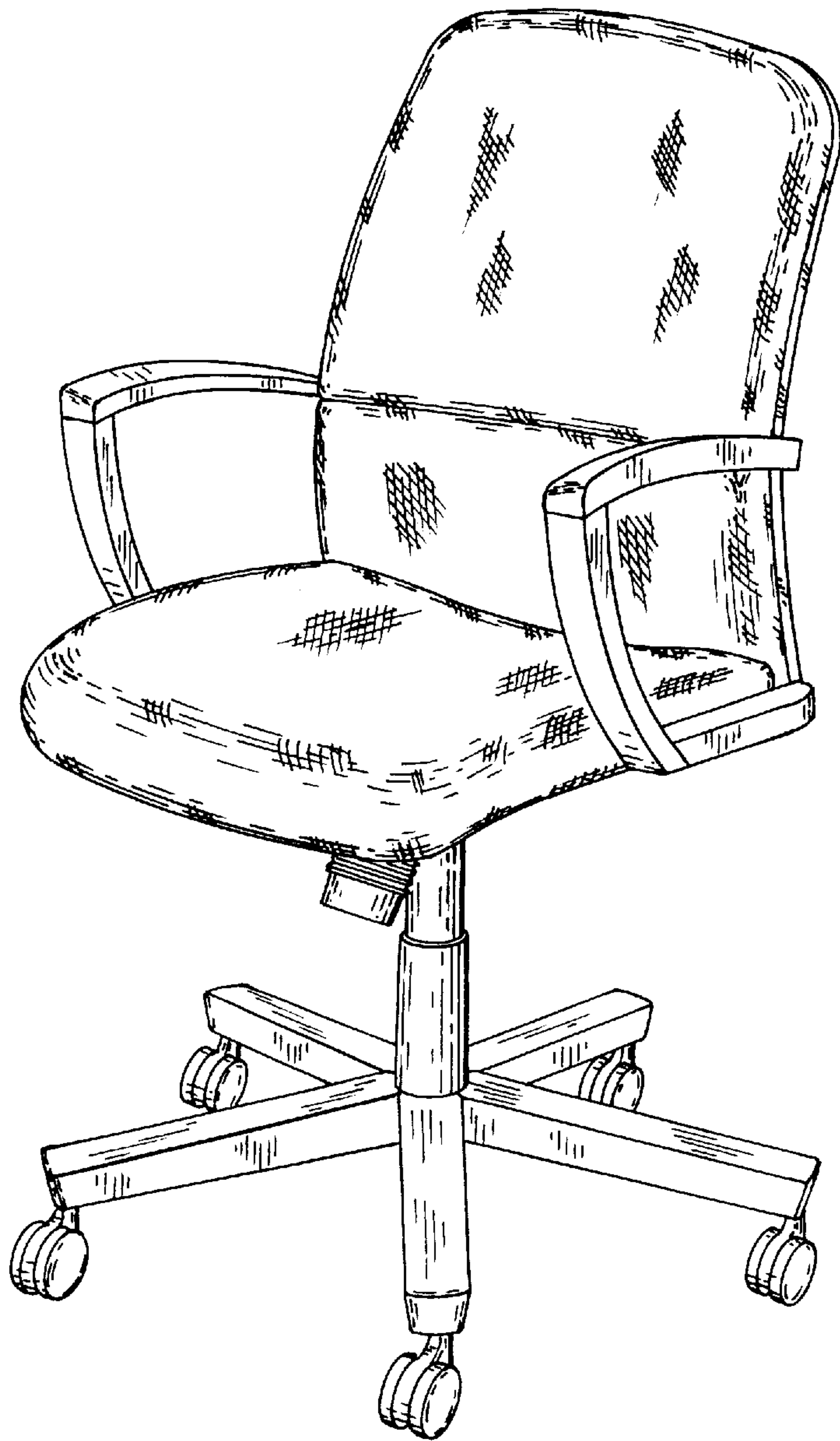


FIG. 1

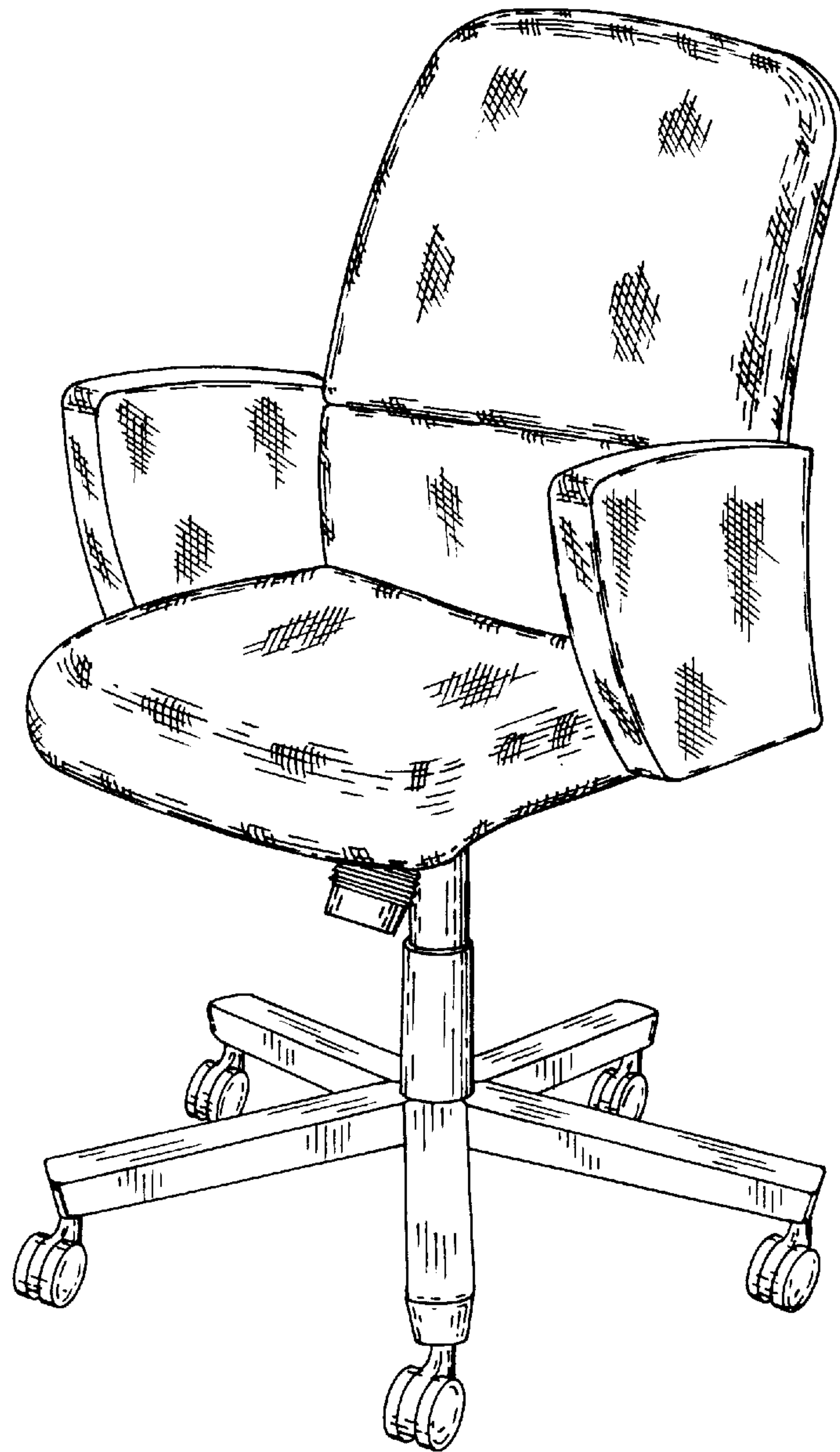


FIG. 2

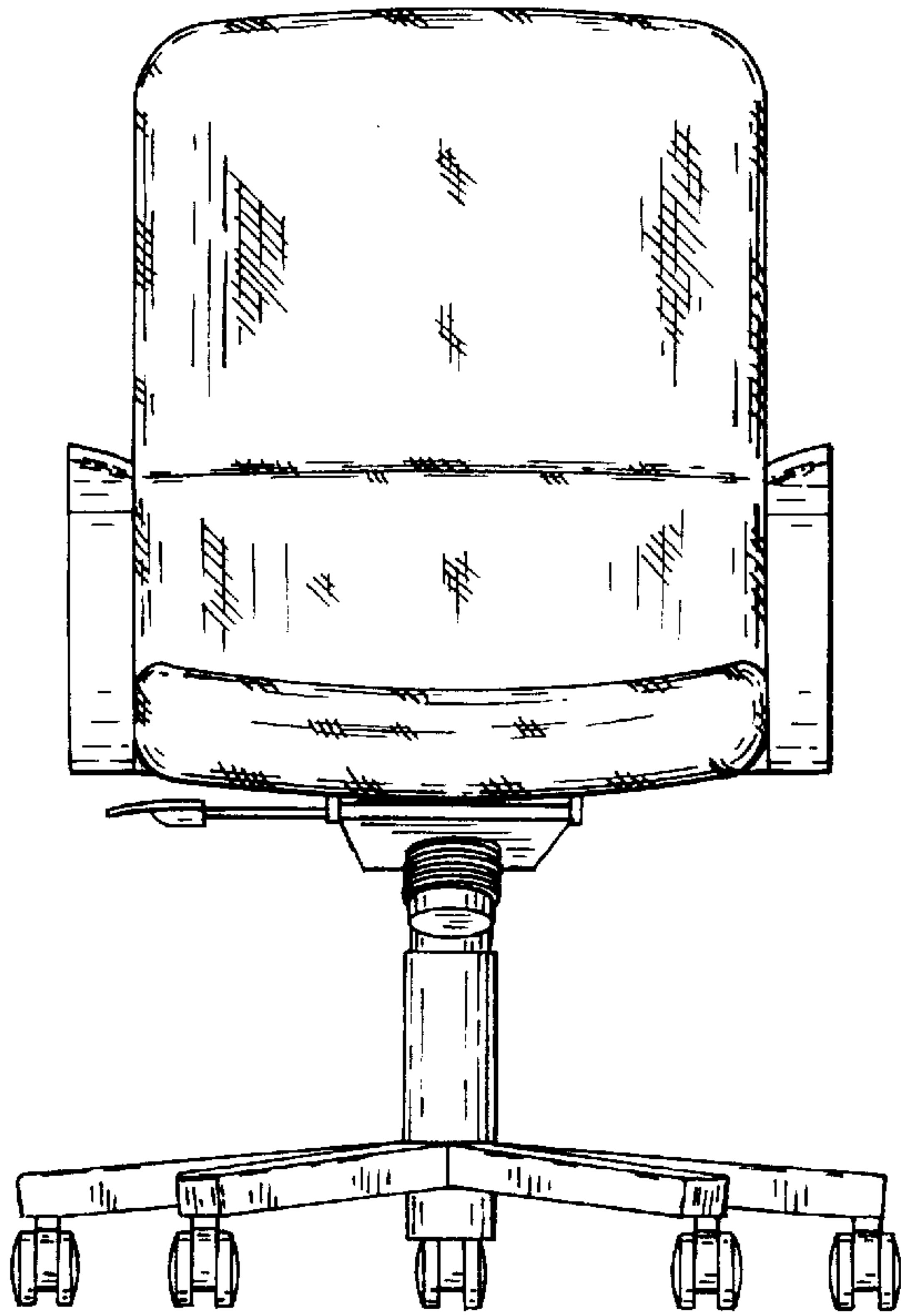


FIG. 3

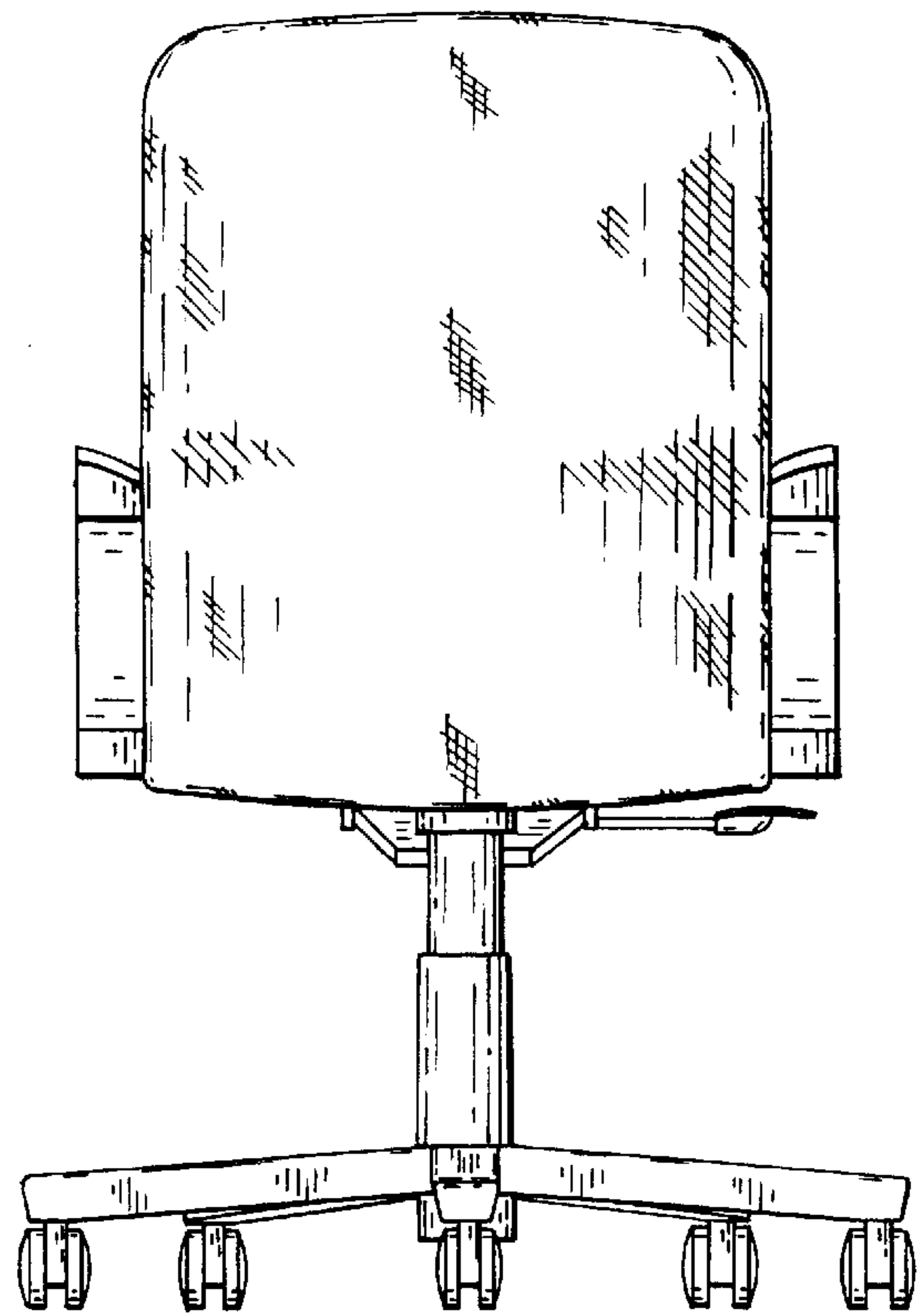


FIG. 4

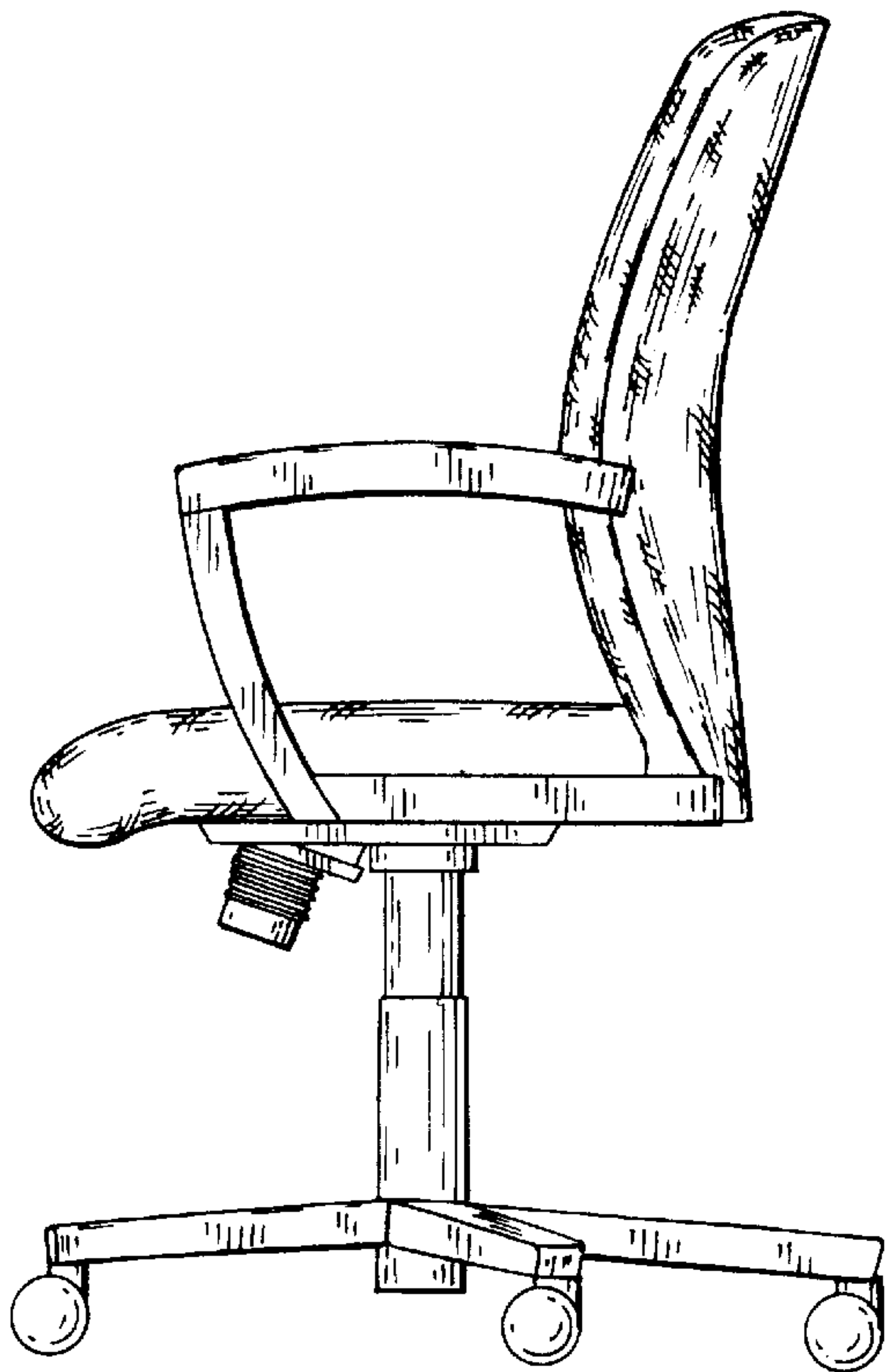


FIG. 5

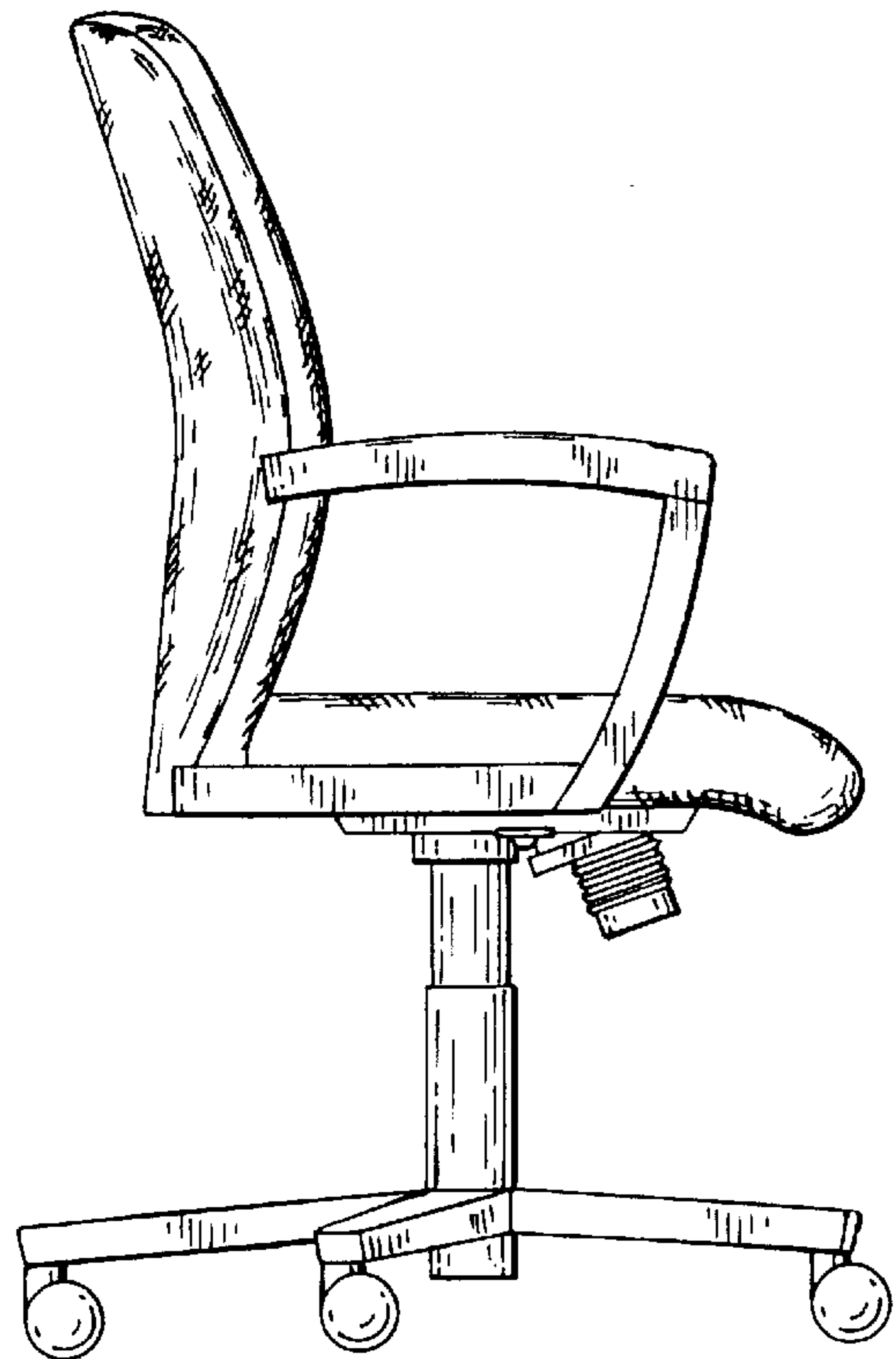


FIG. 6

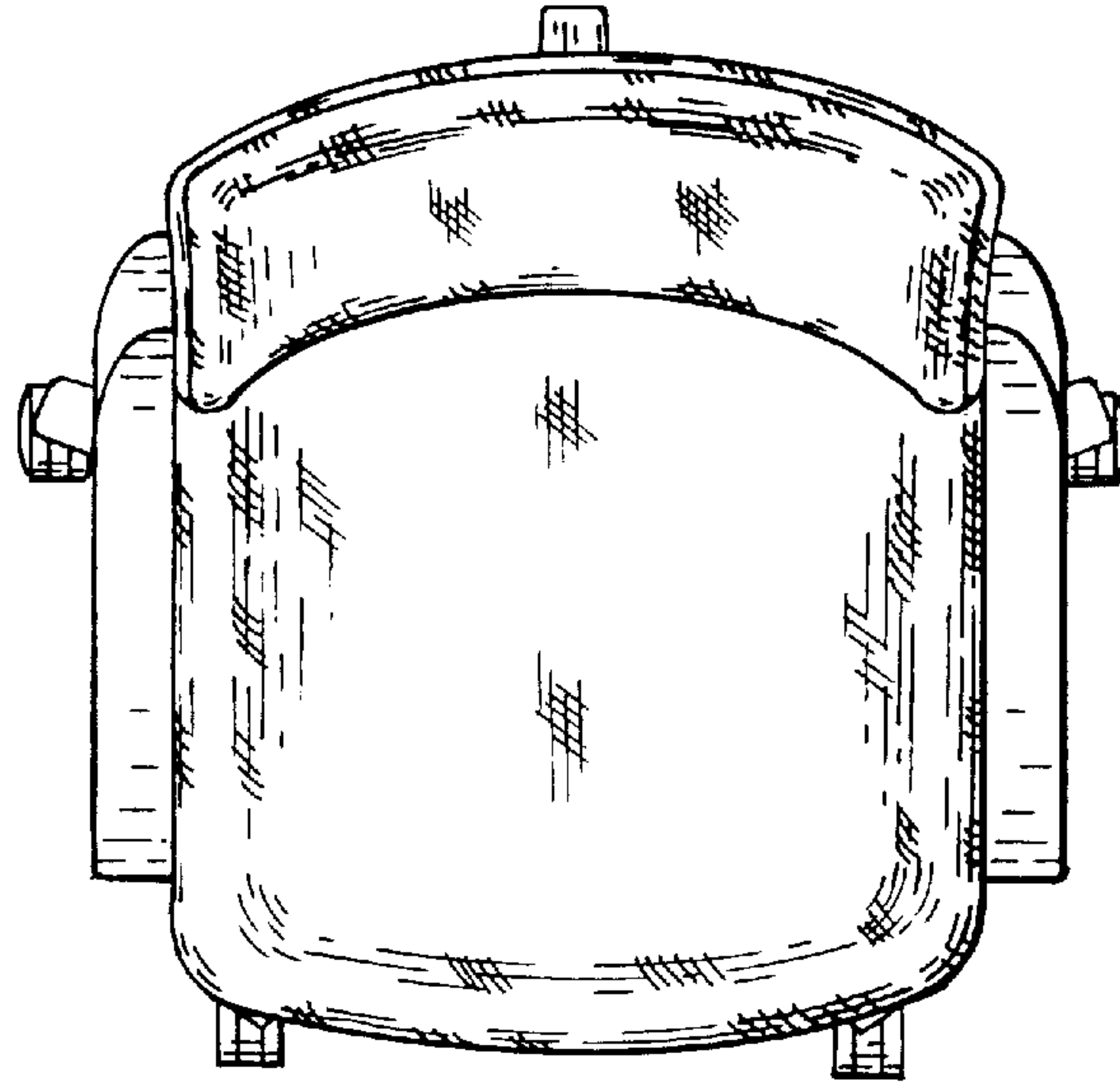


FIG. 7

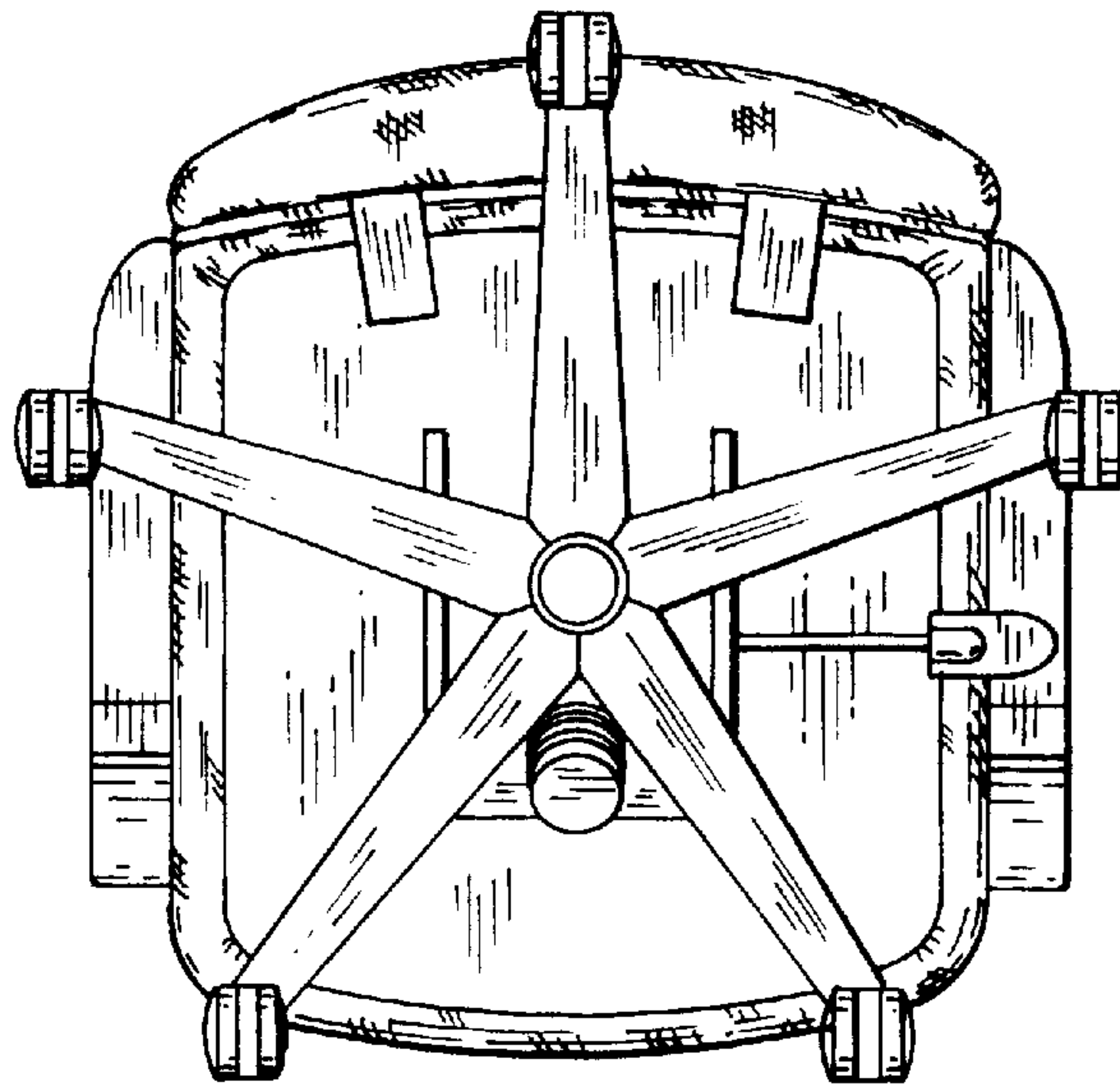


FIG. 8

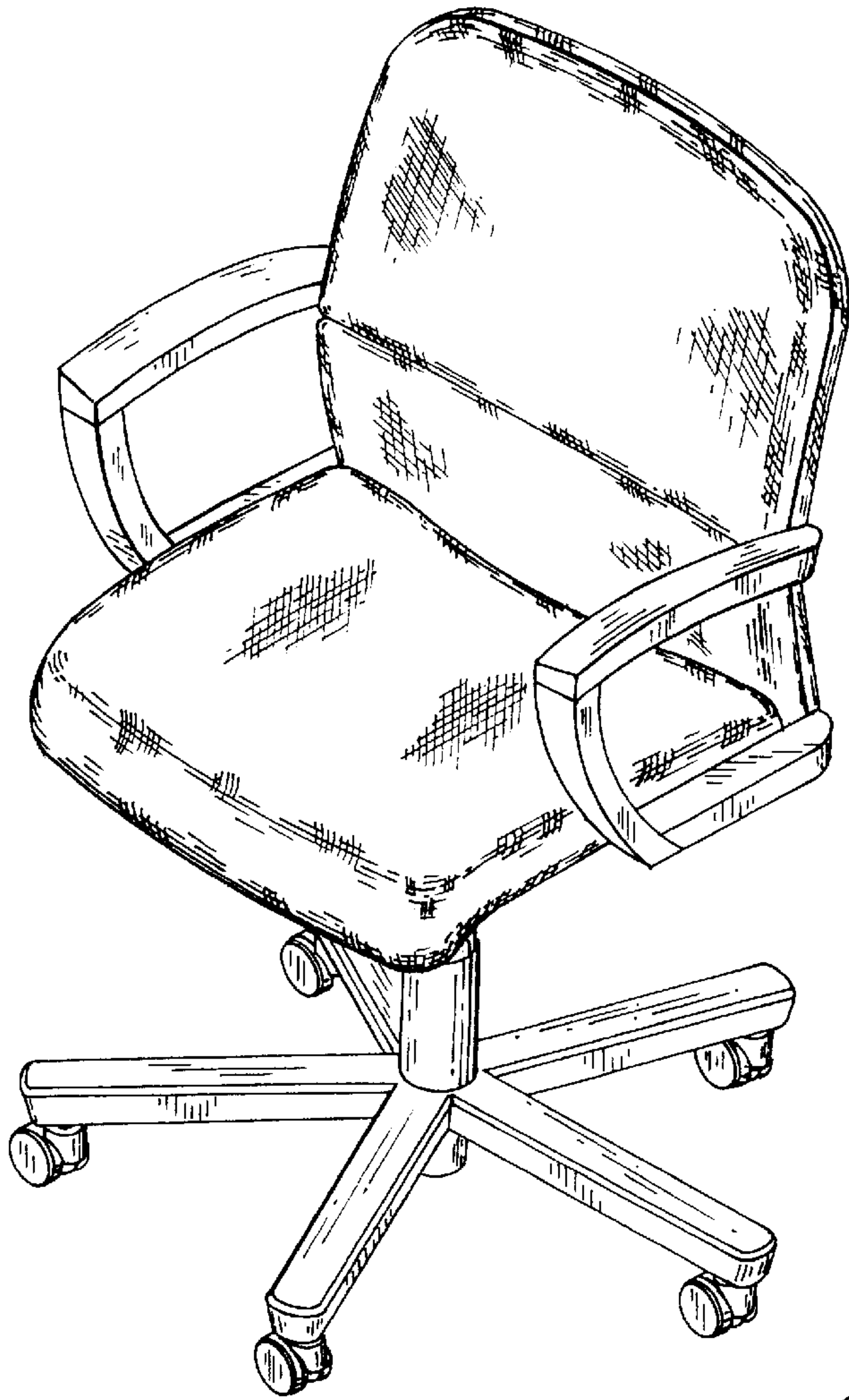


FIG. 9

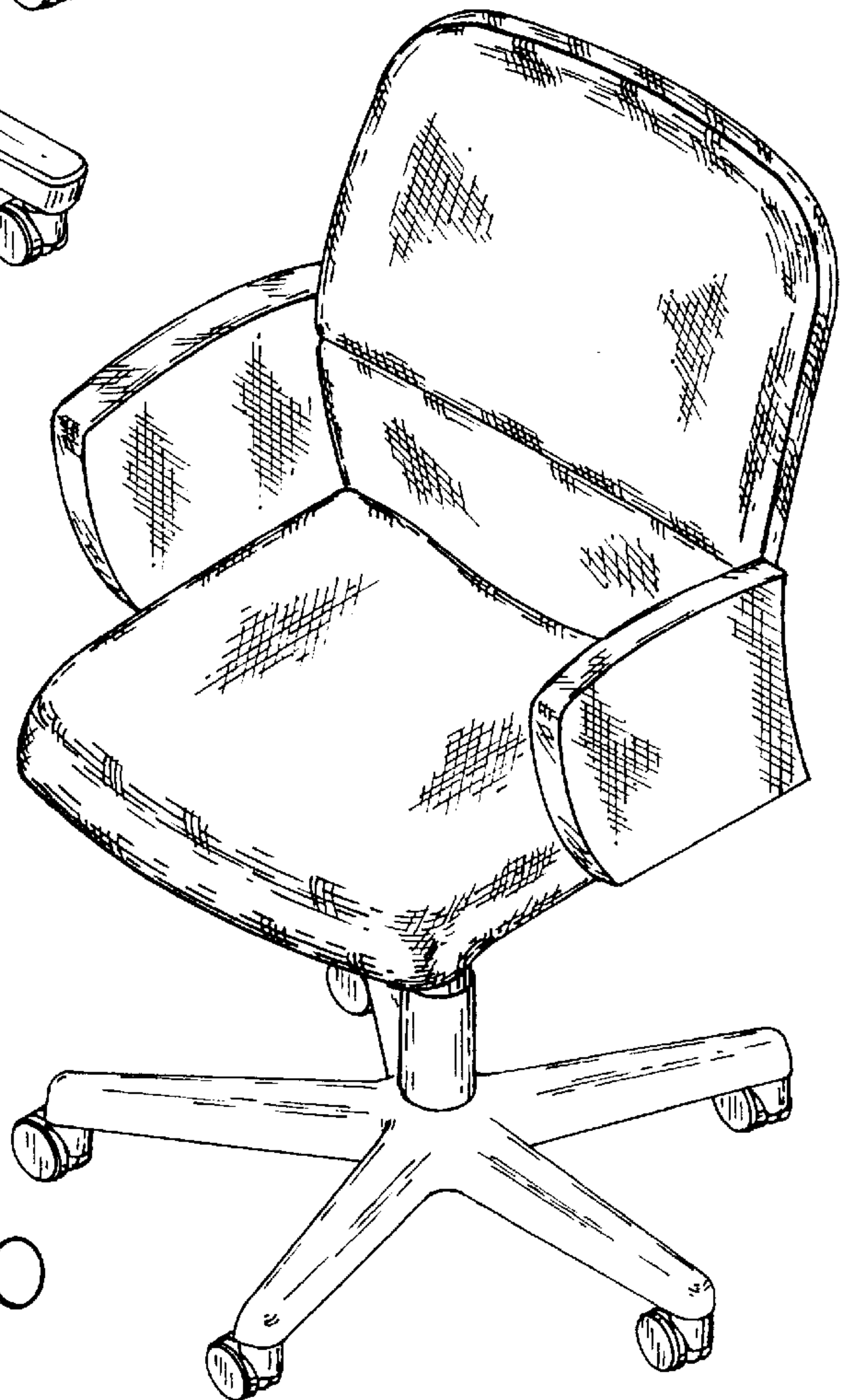


FIG. 10