



US00D405617S

United States Patent [19]

Kaczmarek et al.

[11] **Patent Number: Des. 405,617**

[45] **Date of Patent: **Feb. 16, 1999**

[54] **CHAIR**

[75] Inventors: **Peter Kaczmarek; Brian Gagnon**, both of Downsview, Canada

[73] Assignee: **Global Upholstery Company**, Downsview, Canada

[**] Term: **14 Years**

[21] Appl. No.: **60,240**

[22] Filed: **Sep. 25, 1996**

[30] Foreign Application Priority Data

Sep. 24, 1996 [CA] Canada 1996-2207

[51] **LOC (6) Cl.** **06-01**

[52] **U.S. Cl.** **D6/366**

[58] **Field of Search** D6/334, 345, 351, D6/358, 364, 365, 366, 367, 500, 501, 502; 297/452.33, 452.36

[56] References Cited

U.S. PATENT DOCUMENTS

- D. 194,458 1/1963 Pearson D6/366
- D. 227,953 7/1973 Prizlow D6/366
- D. 233,807 12/1974 Ruf D6/366
- D. 243,486 3/1977 Buhk D6/366

- D. 256,739 9/1980 Acton D6/366
- D. 274,484 7/1984 Aronowitz et al. D6/366

OTHER PUBLICATIONS

D&F Desks & Furnishings, p. 88, chair at top right, 1989.

Primary Examiner—Gary D. Watson

Attorney, Agent, or Firm—Philip Mendes da Costa Bereskin & Parr

[57] CLAIM

The ornamental design for a chair, as shown and described.

DESCRIPTION

FIG. 1 is a front perspective view of a chair showing our new design;

FIG. 2 is a side view, the opposite side being a mirror image thereof without the adjustment handle;

FIG. 3 is a rear view thereof;

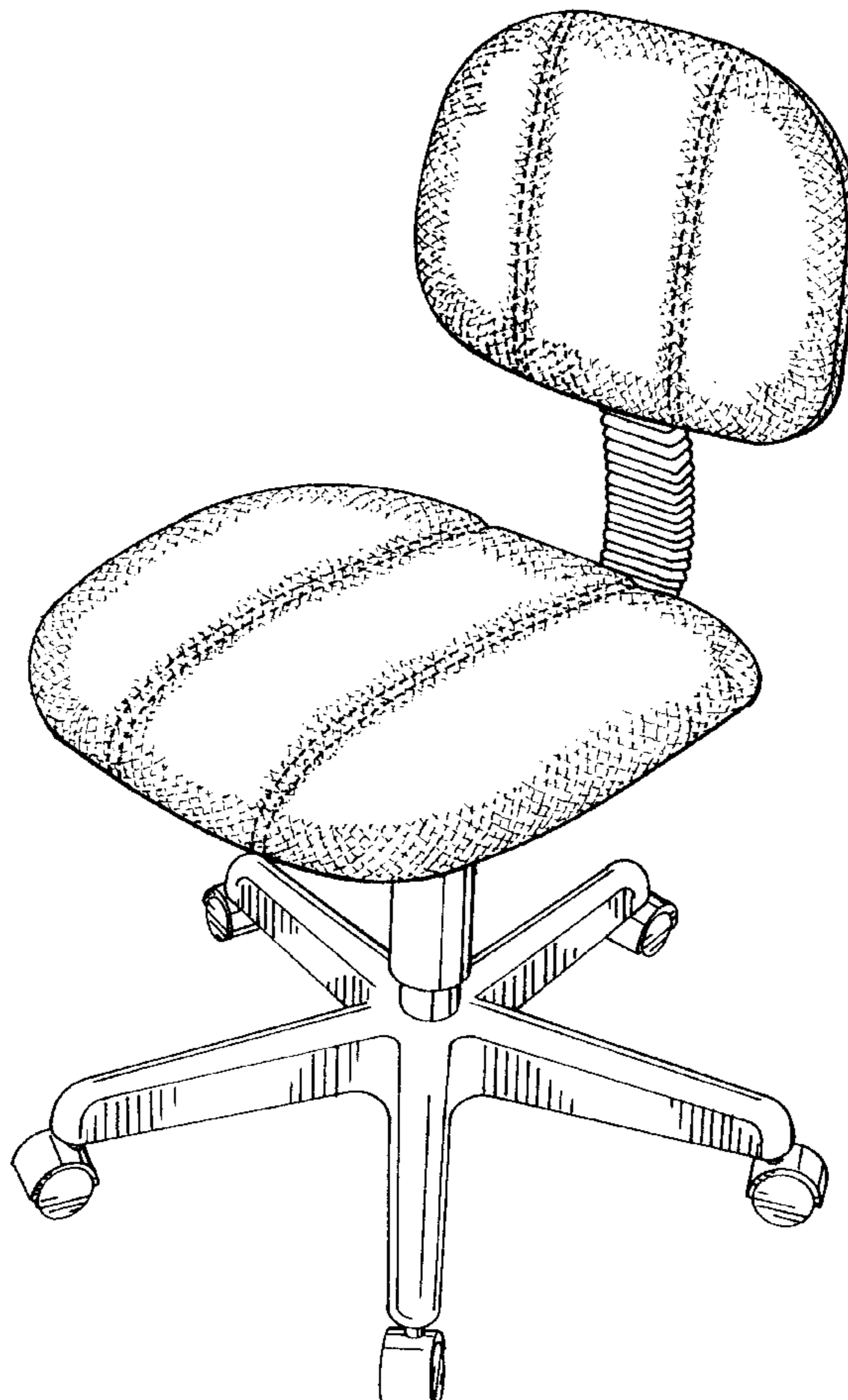
FIG. 4 is a front view thereof; and,

FIG. 5 is a top view thereof.

The broken lines shown on the seat and backrest represent stitching.

The fragmented cross-hatching shown on the seat and backrest is understood to represent fabric and would be continuous throughout the implied areas.

1 Claim, 3 Drawing Sheets



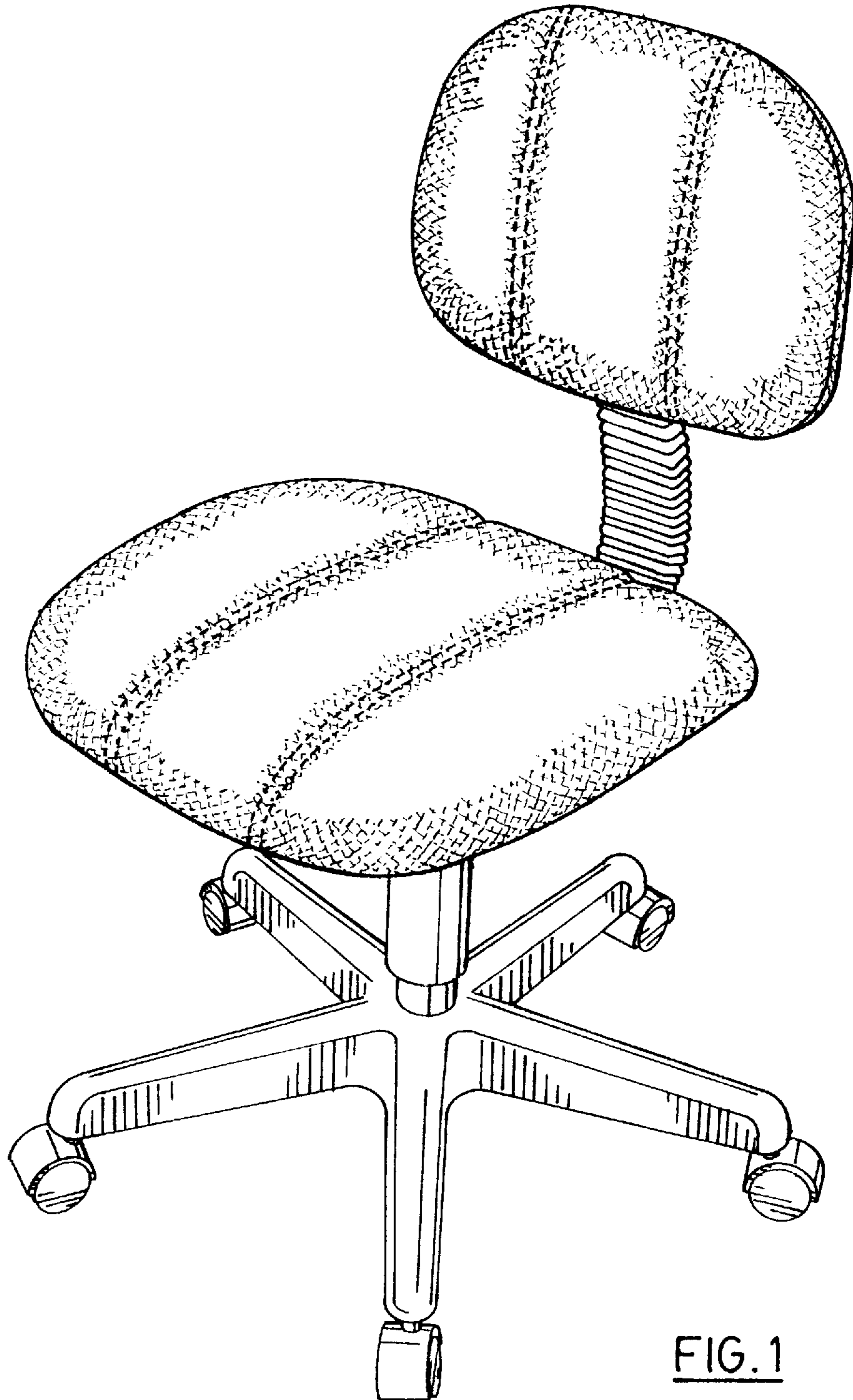


FIG. 1

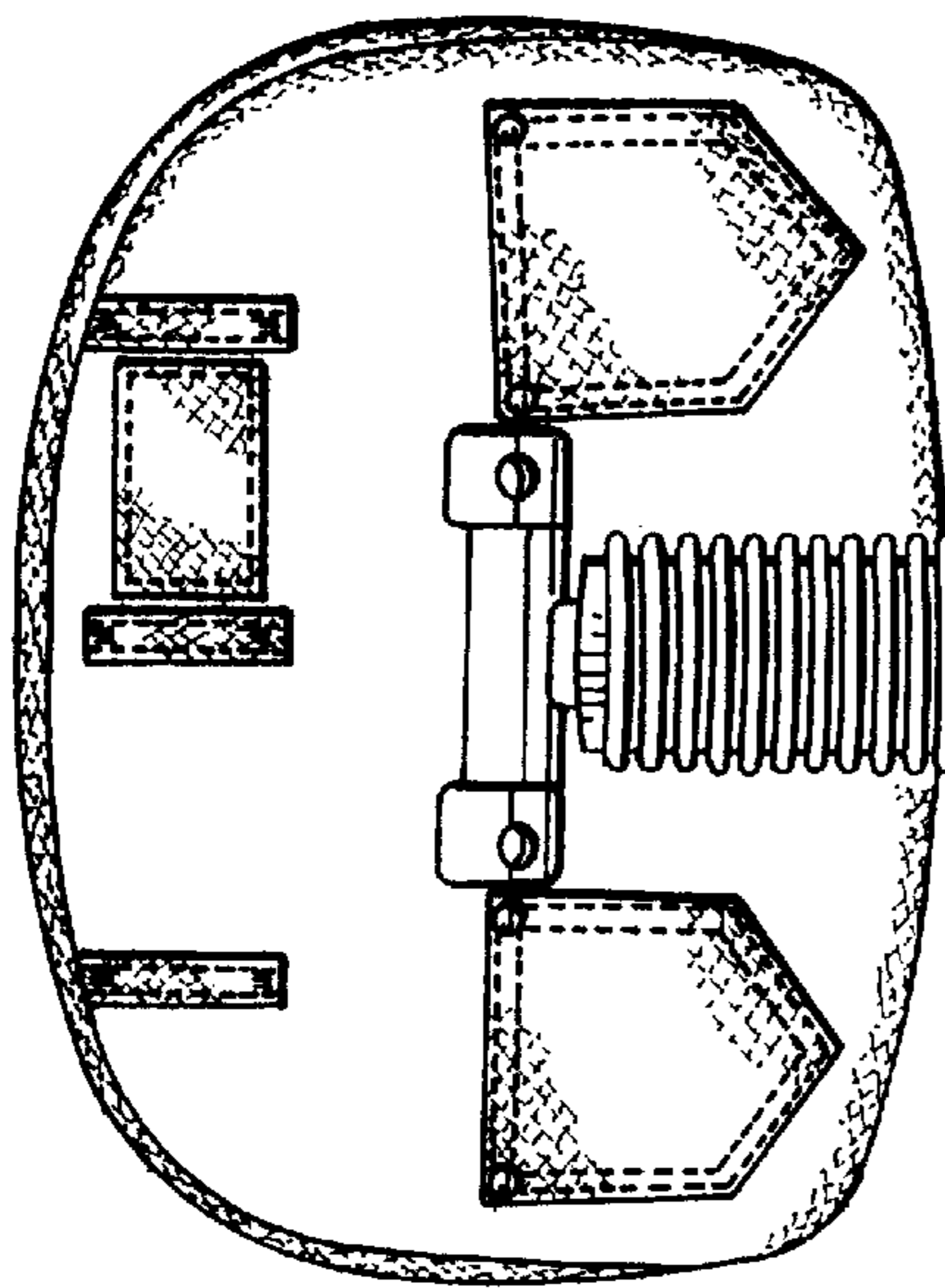


FIG. 2

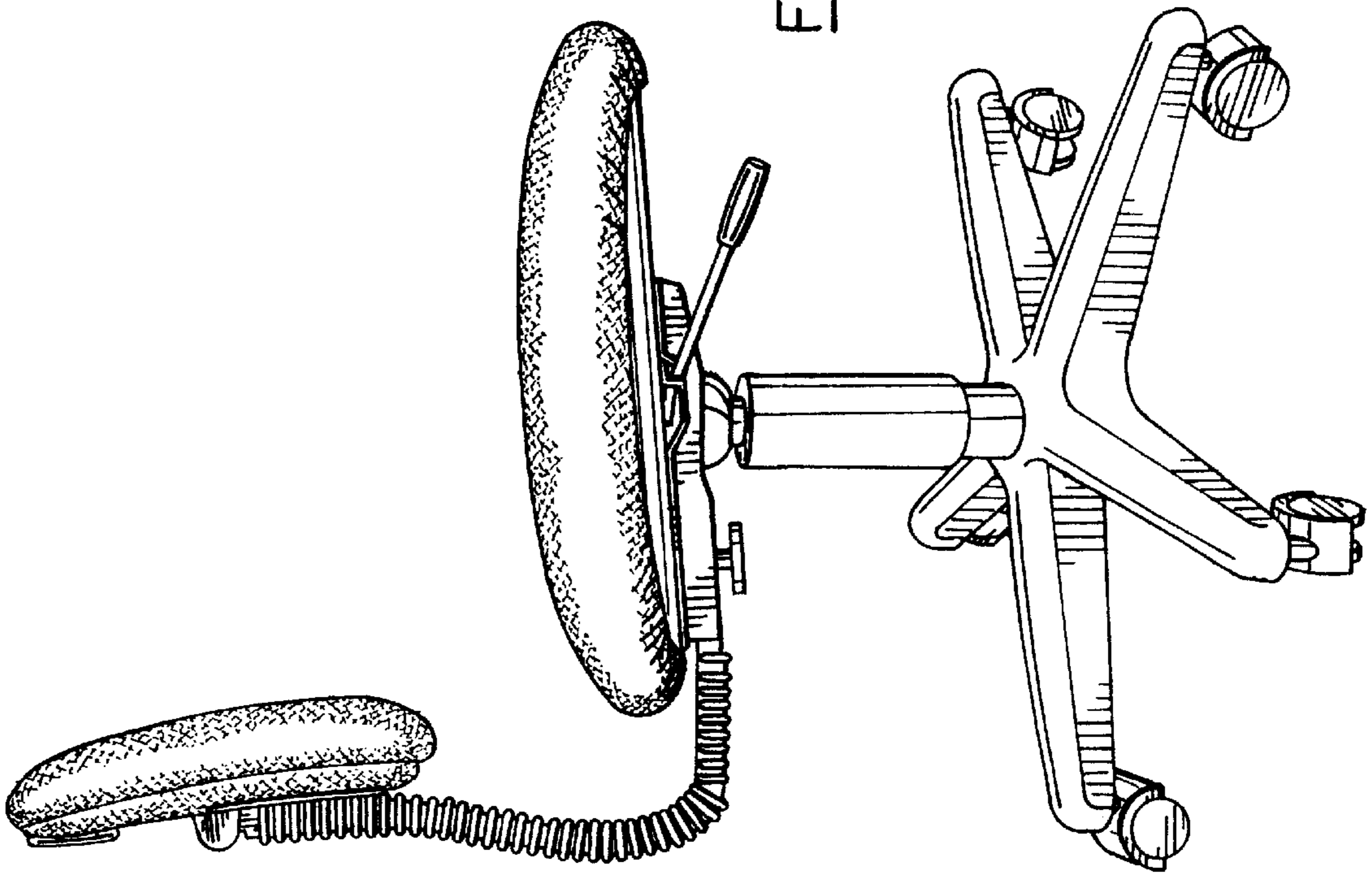


FIG. 3

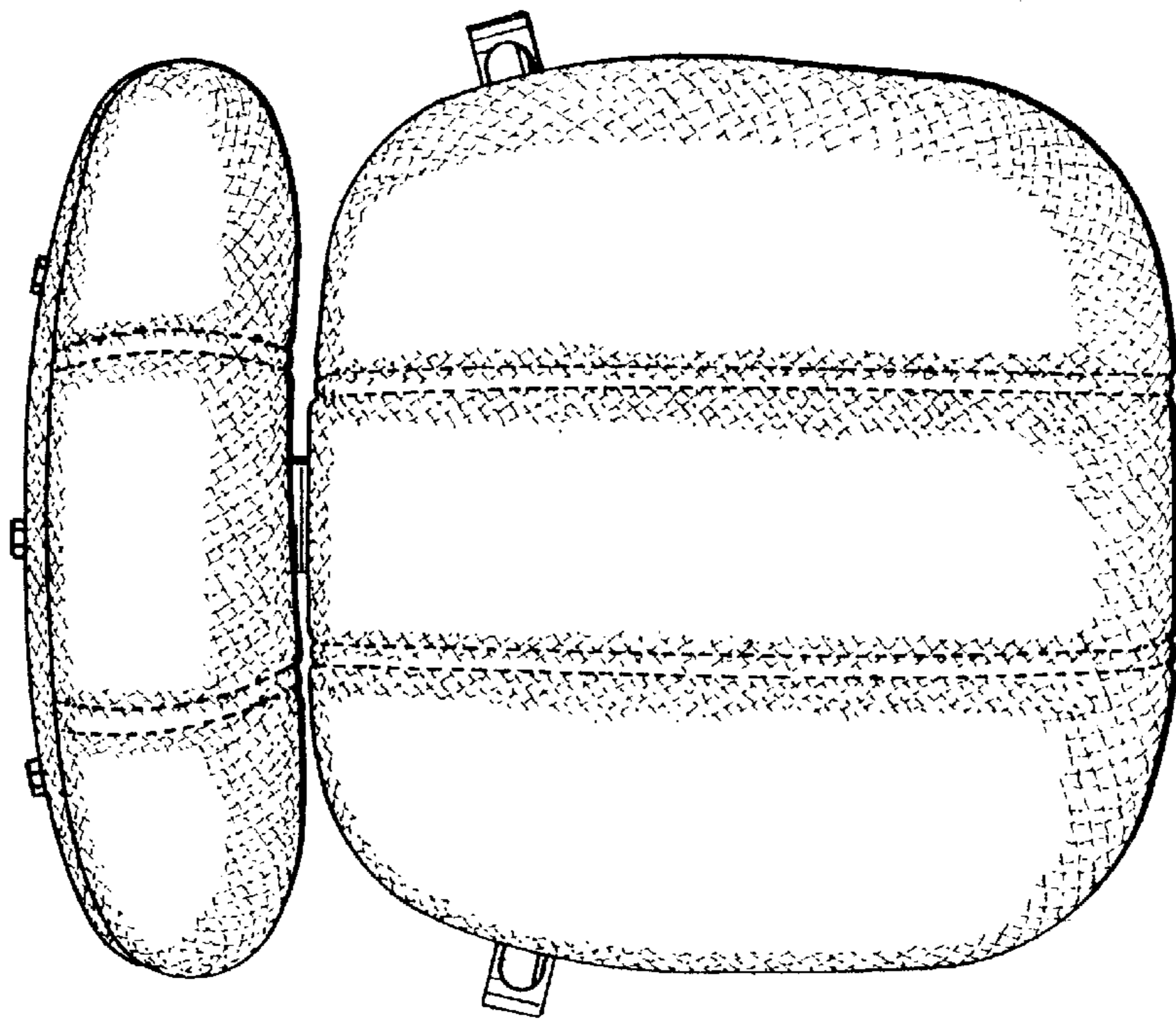


FIG. 5

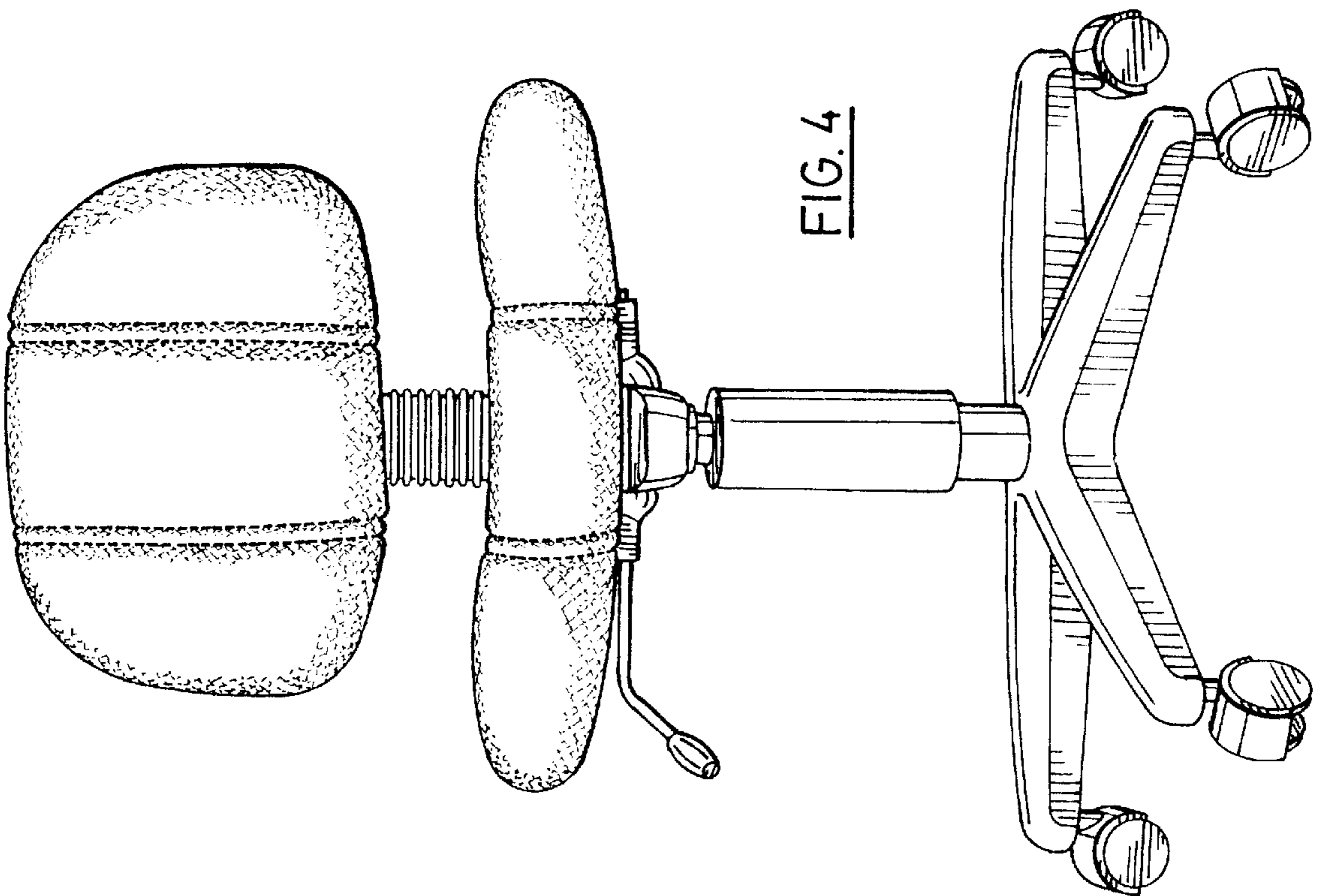


FIG. 4