



US00D405611S

United States Patent [19]

Hawkins et al.

[11] **Patent Number: Des. 405,611**

[45] **Date of Patent: **Feb. 16, 1999**

[54] **MAGNETIC TOOL TRAY WITH FOUR SIDED HOLDER APRON**

3,670,938 6/1972 Brocato 206/562
4,911,083 3/1990 Considine 206/562 X

[75] Inventors: **Joseph O. Hawkins**, Greenville, S.C.;
Hsuan-Sen Shiao, Wu Jih Hsiang,
Taiwan

OTHER PUBLICATIONS

ATD Tools, pp. 1 and 301, Apr., 1996.
Astro Pneumatic Tool Co., Index and p. 73, Oct., 1996.

[73] Assignee: **Sunex International, Inc.**, Traverlers
Rest, S.C.

Primary Examiner—Ted Shooman
Assistant Examiner—Richelle Shelton
Attorney, Agent, or Firm—Dority & Manning, P.A.

[**] Term: **14 Years**

[57] CLAIM

[21] Appl. No.: **72,356**

The ornamental design for a magnetic tool tray with four sided holder apron, as shown and described.

[22] Filed: **Jun. 13, 1997**

DESCRIPTION

[51] **LOC (6) Cl.** **03-01**

[52] **U.S. Cl.** **D3/313; D3/905**

[58] **Field of Search** D3/304, 307-314,
D3/905; 206/349, 350, 372, 373, 503, 558,
562, 818; 220/735

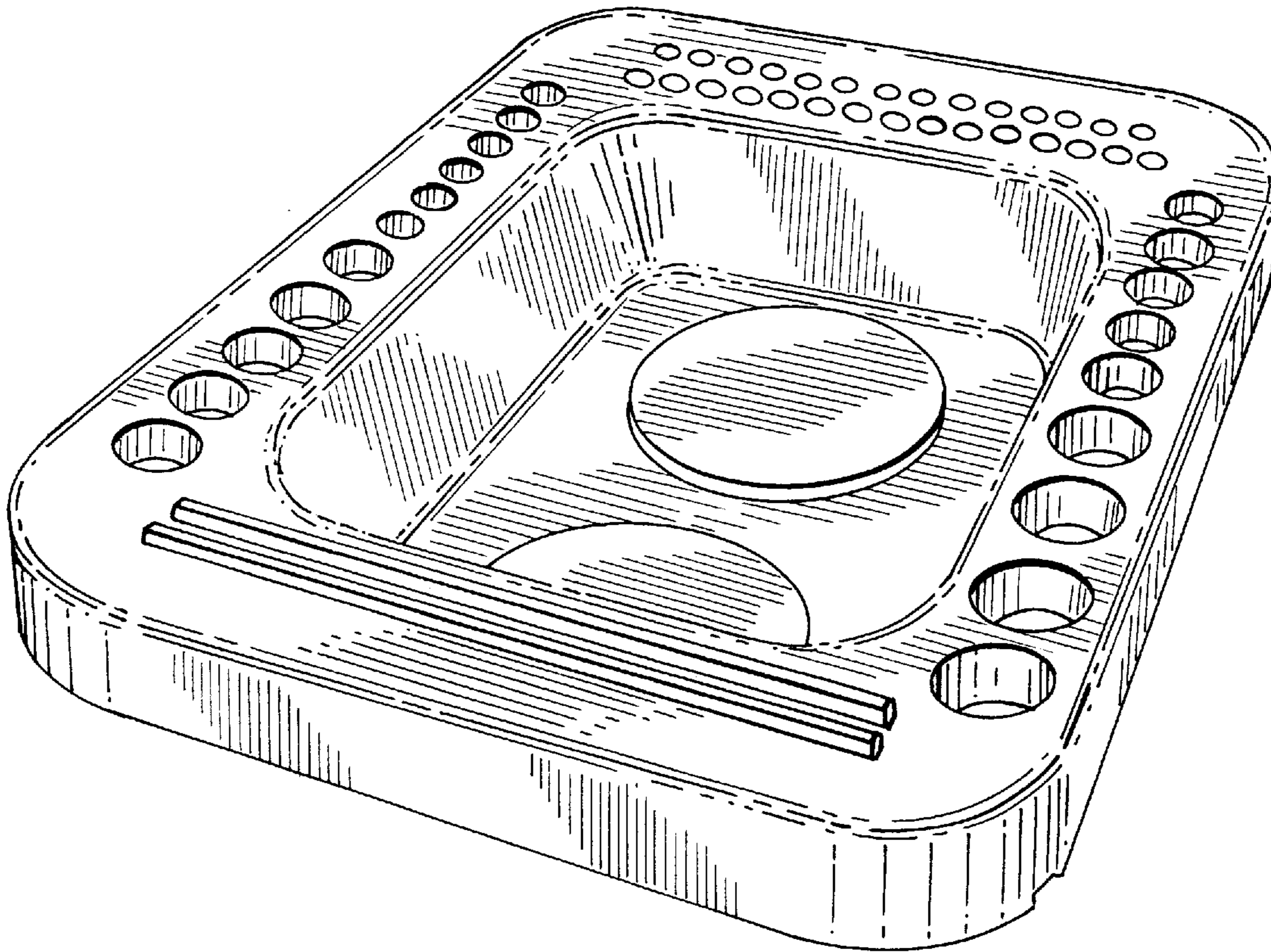
FIG. 1 is a front elevation view;
FIG. 2 is a back elevation view;
FIG. 3 is a top plan view;
FIG. 4 is a side elevation view;
FIG. 5 is a side elevation view;
FIG. 6 is a bottom plan view; and,
FIG. 7 is a top perspective view.

[56] References Cited

U.S. PATENT DOCUMENTS

D. 367,757 3/1996 Liu D3/304 X
D. 369,242 4/1996 Tiaramani D3/308

1 Claim, 3 Drawing Sheets



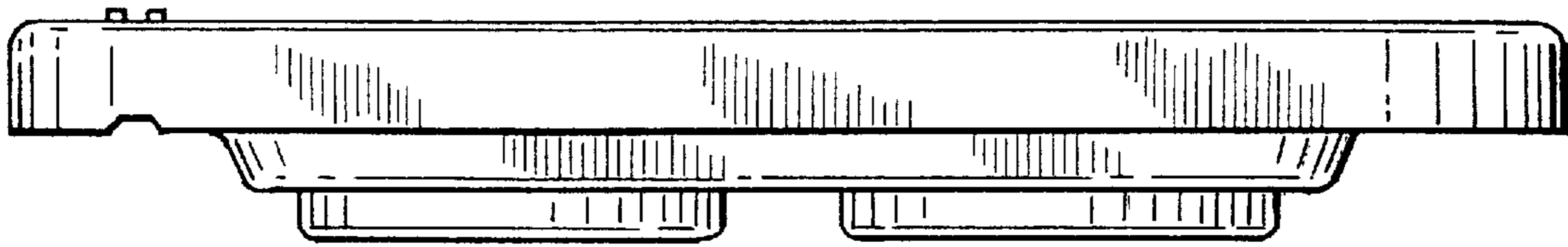


FIG. 1

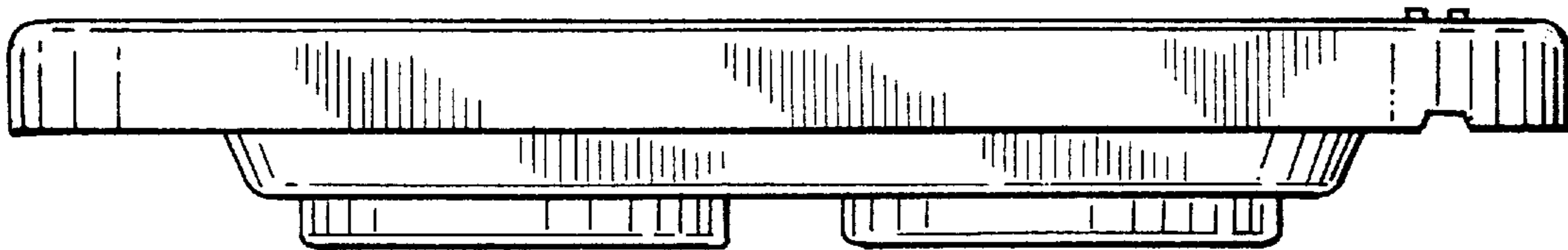


FIG. 2

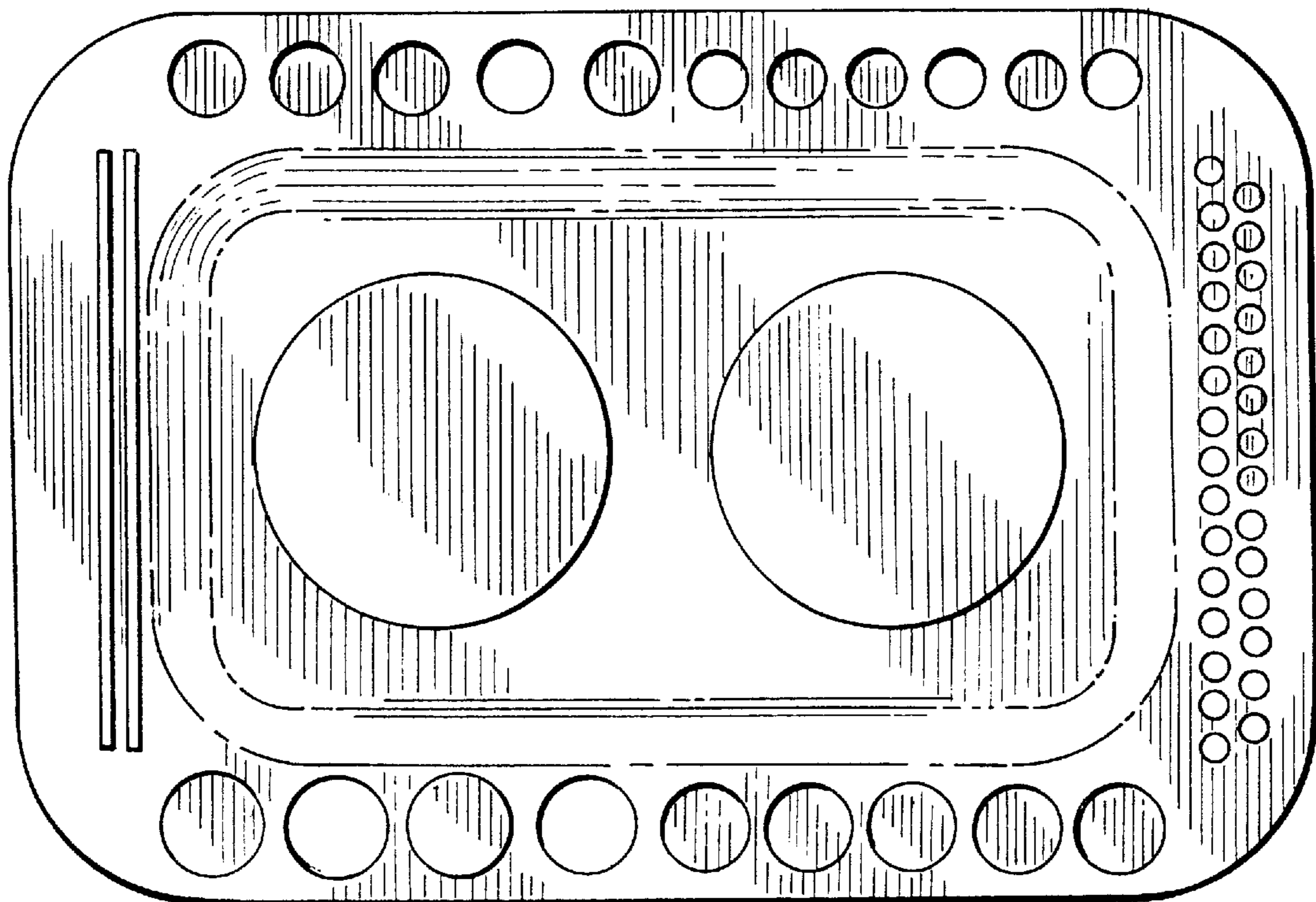


FIG. 3



FIG. 4

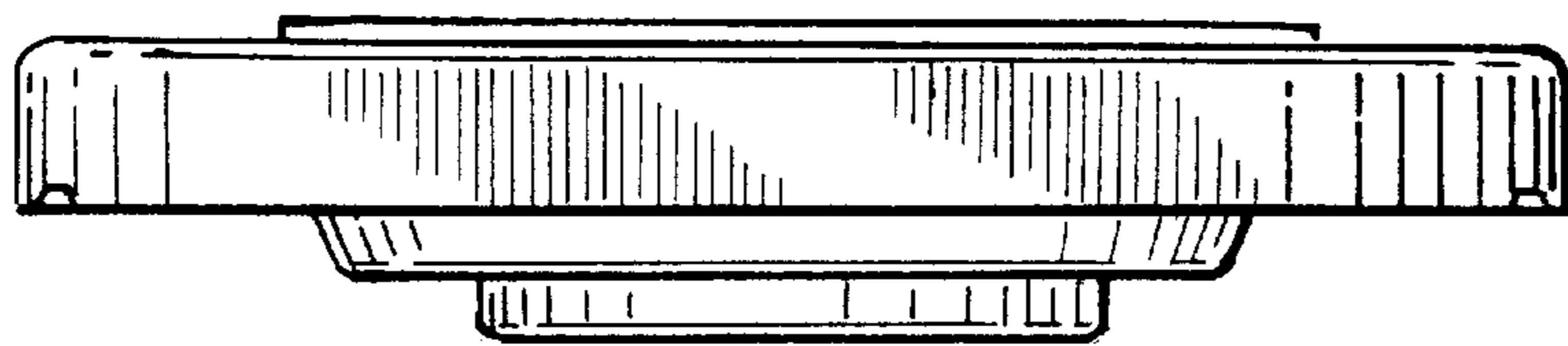


FIG. 5

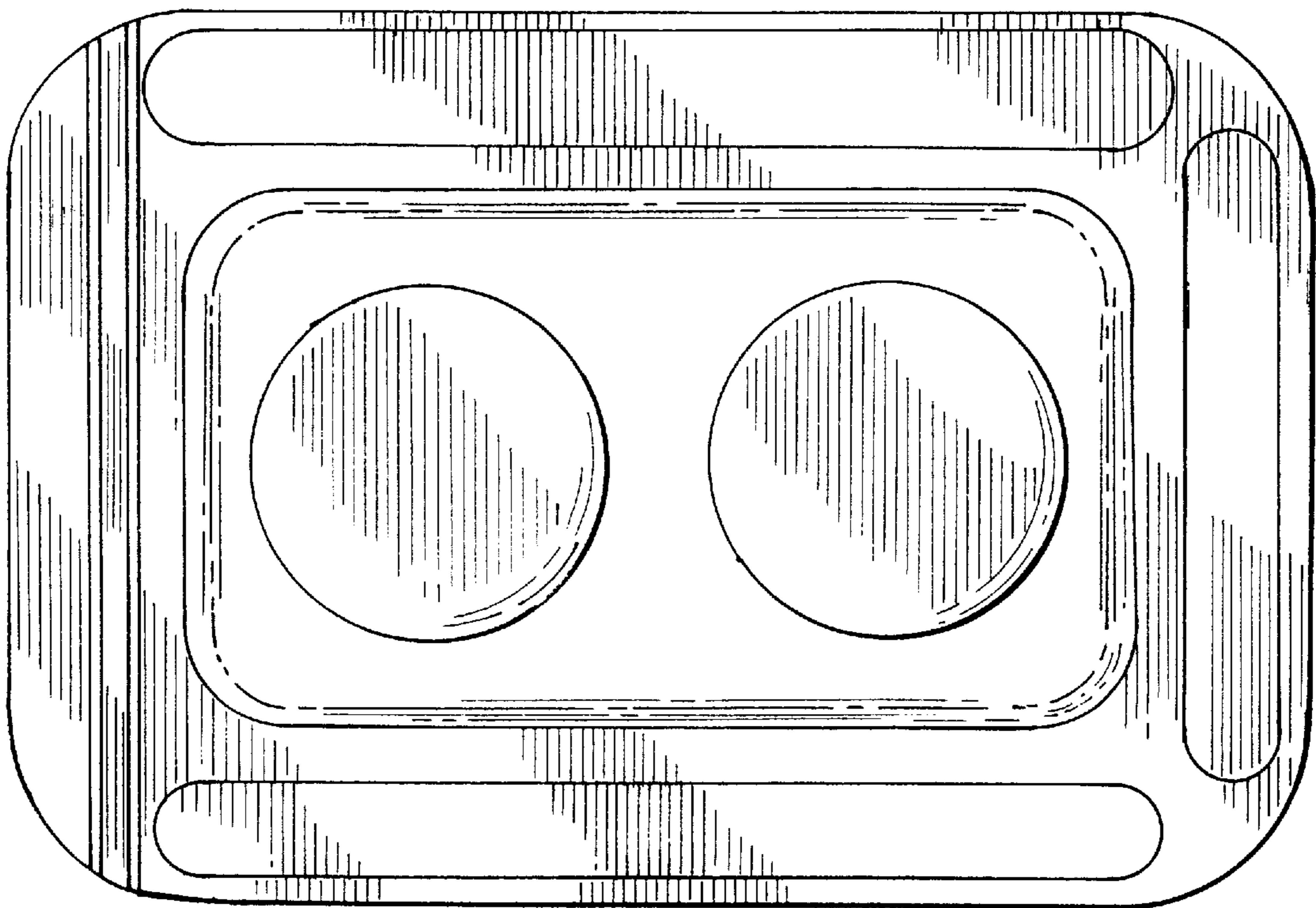


FIG. 6

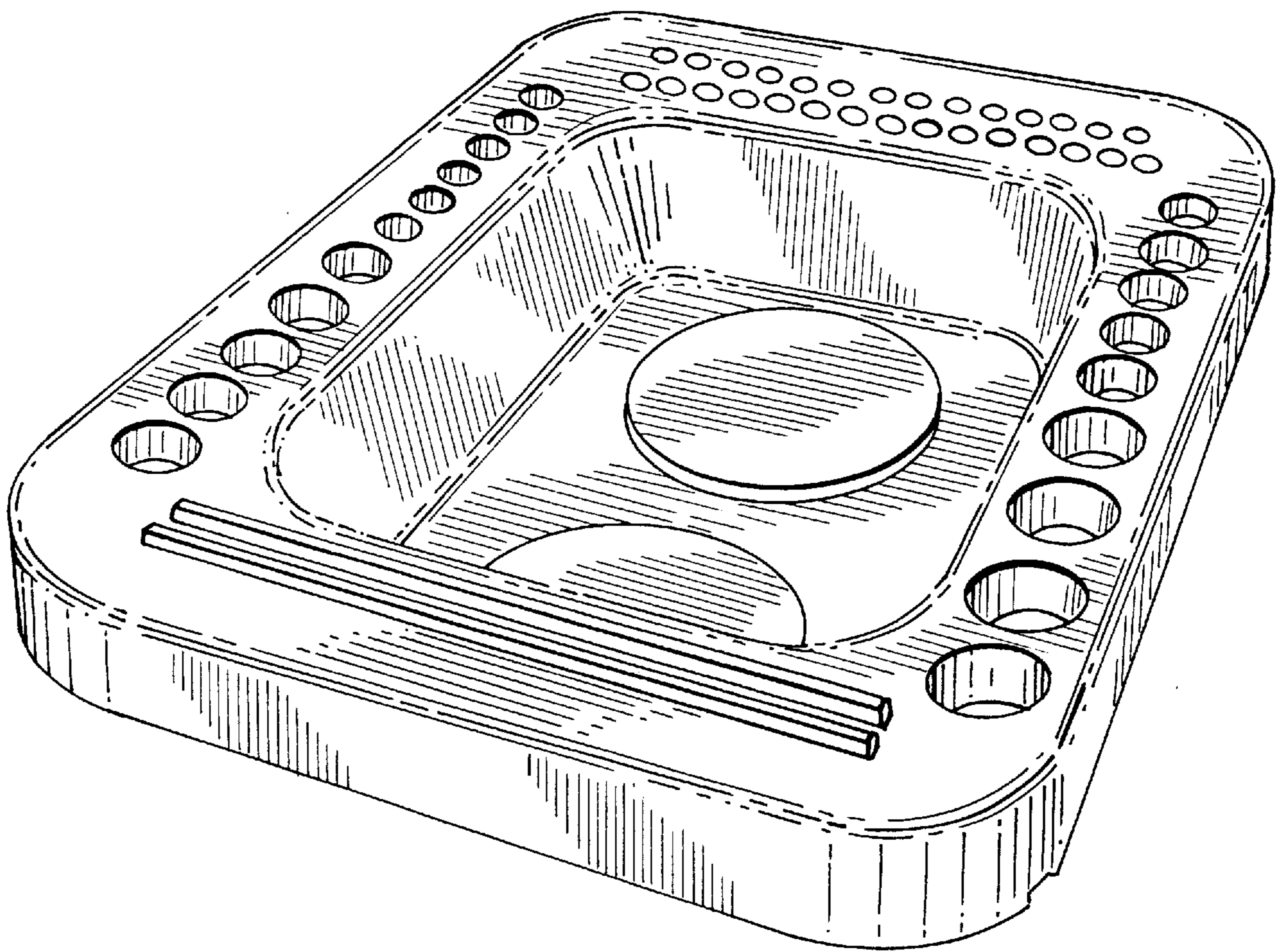


FIG. 7