



US00D405607S

# United States Patent [19]

Sundara et al.

[11] **Patent Number: Des. 405,607**

[45] **Date of Patent: \*\*Feb. 16, 1999**

[54] **GOLF BAG TOP**

[75] Inventors: **Chloe Helen Sundara**, Mill Valley;  
**Eric Penman Bogner**, San Francisco;  
**Robin W. Chu**, San Francisco; **Mark Andrew Edwards**, San Francisco; **Alex Ross**, San Francisco, all of Calif.

[73] Assignee: **Sundara Industries, Ltd.**, San Francisco, Calif.

[\*\*] Term: **14 Years**

[21] Appl. No.: **74,790**

[22] Filed: **Jul. 21, 1997**

[51] **LOC (6) Cl.** ..... **03-01**

[52] **U.S. Cl.** ..... **D3/255**

[58] **Field of Search** ..... D3/254, 255, 259,  
D3/320; 206/315.2, 315.3, 315.4, 315.5,  
315.6, 315.7, 315.8

[56] **References Cited**

**U.S. PATENT DOCUMENTS**

D. 353,263 12/1994 Danezin ..... D3/255

D. 353,264 12/1994 Danezin ..... D3/255  
D. 374,989 10/1996 La Plante, Sr. .... D3/320  
D. 385,113 10/1997 Beck et al. .... D3/320  
D. 385,421 10/1997 MacDougall ..... D3/320  
5,339,951 8/1994 Chen ..... 206/315.7

*Primary Examiner*—Doris V. Coles  
*Assistant Examiner*—Catherine R. Oliver  
*Attorney, Agent, or Firm*—Blakely, Sokoloff, Taylor & Zafman LLP

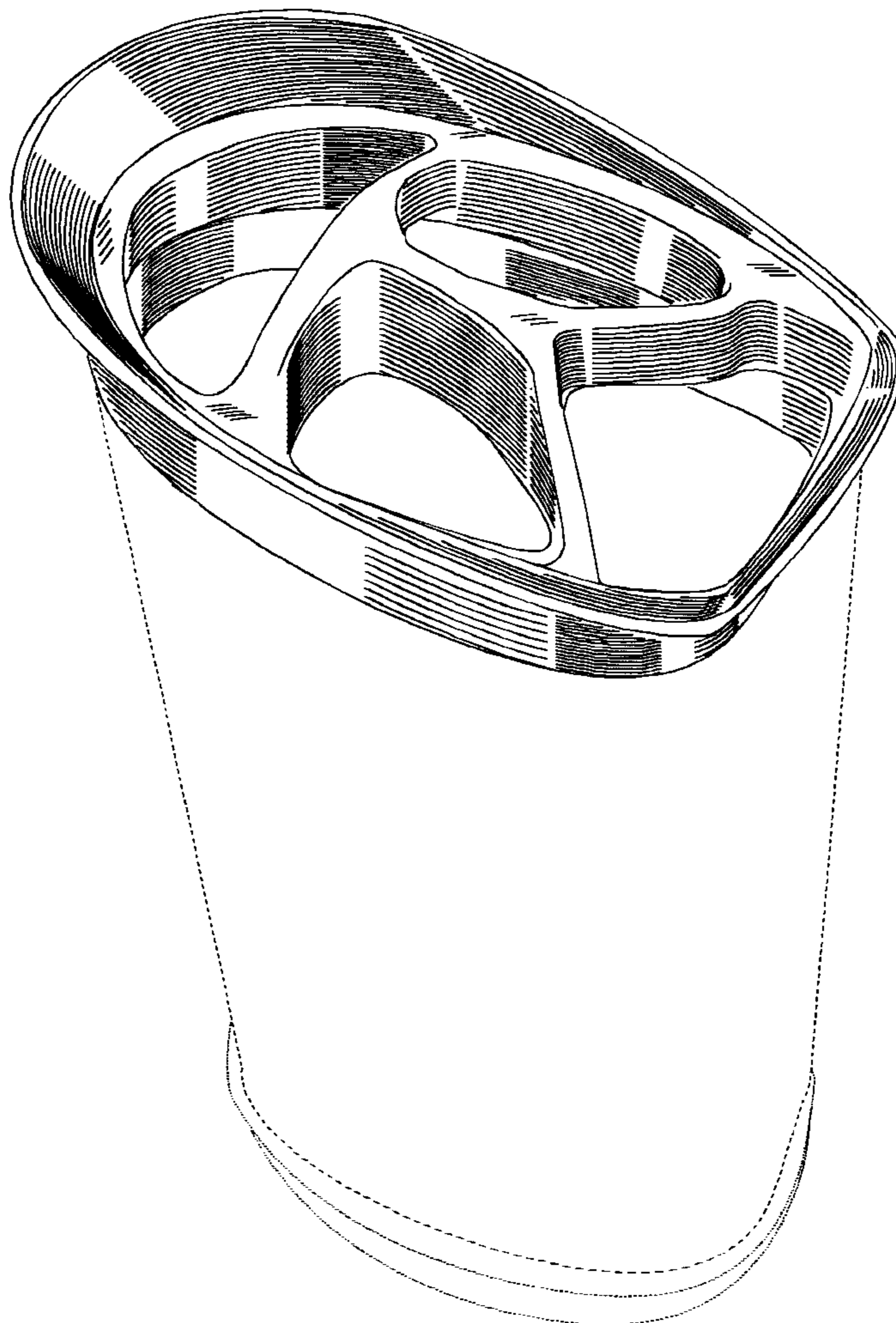
[57] **CLAIM**

The ornamental design for a golf bag top, as shown and described.

**DESCRIPTION**

FIG. 1 is a top plan view of the golf bag top showing our new design;  
FIG. 2 is a top plan view of an alternative embodiment;  
FIG. 3 is a rear perspective view of FIG. 1;  
FIG. 4 is a front elevational view of FIGS. 1 and 2;  
FIG. 5 is a rear elevational view of FIG. 1; and,  
FIG. 6 is a side elevational view of FIGS. 1 and 2, with the opposite side elevational views being mirror images thereof.

**1 Claim, 6 Drawing Sheets**



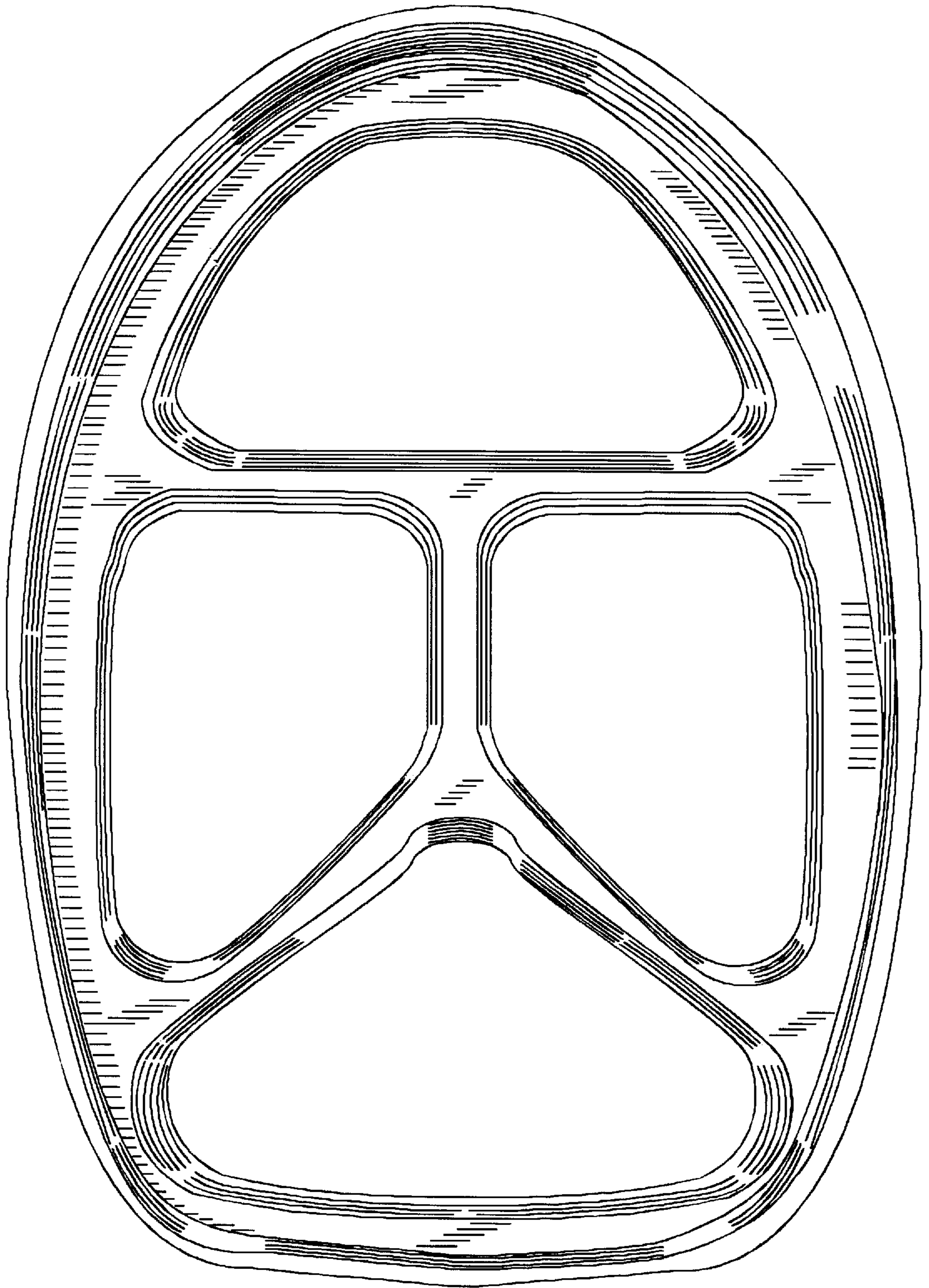


Fig. 1

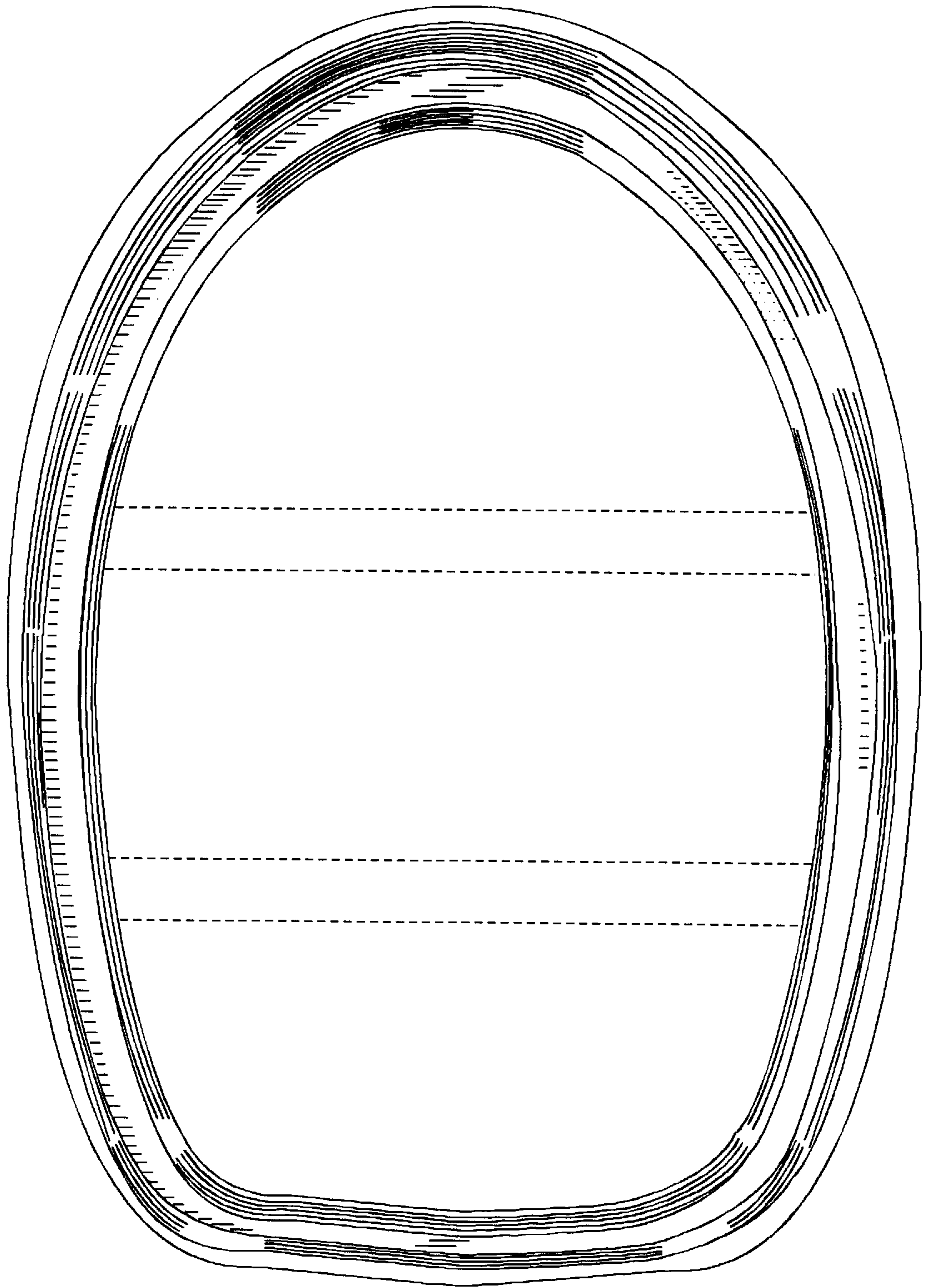


Fig. 2

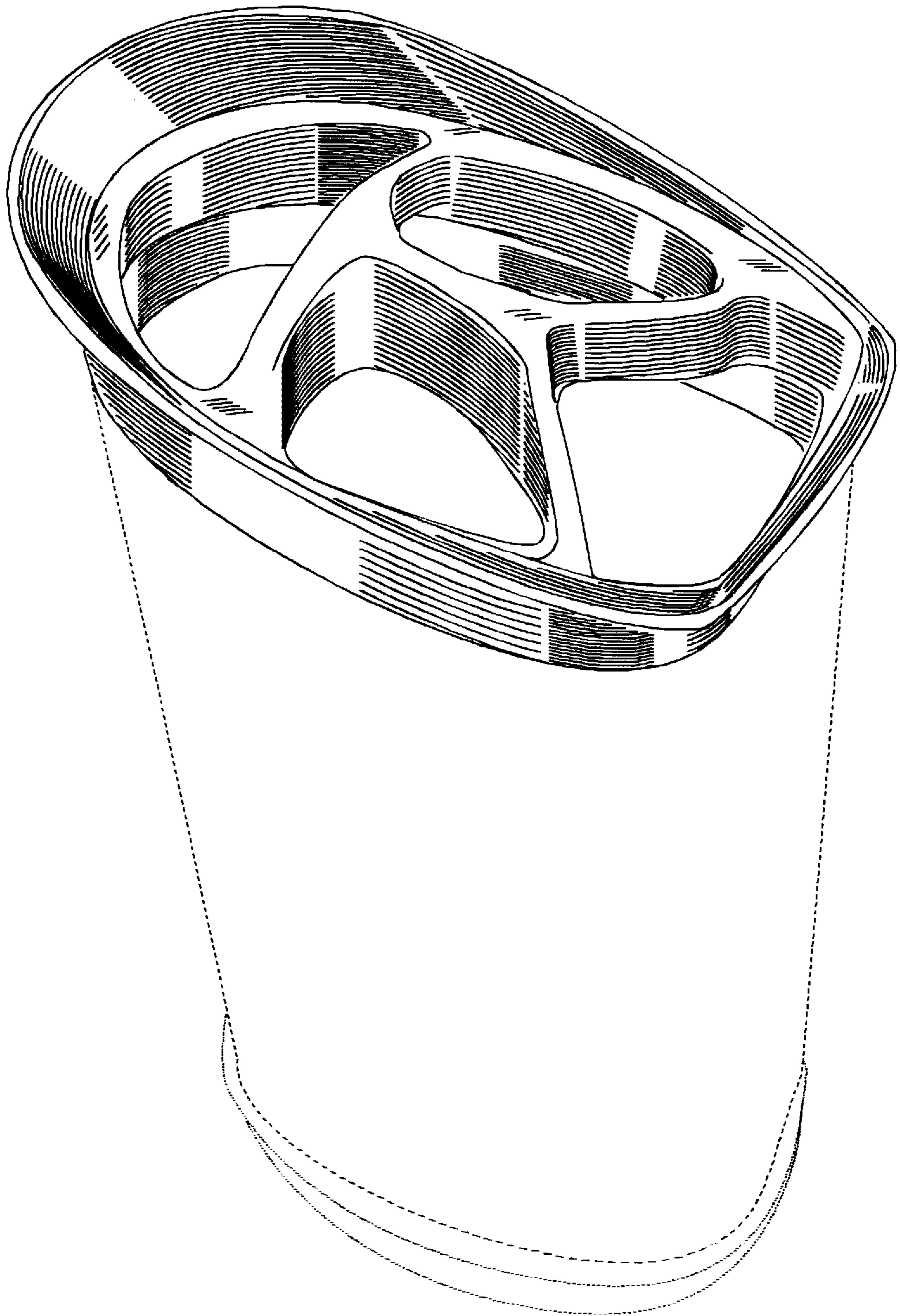


Fig. 3

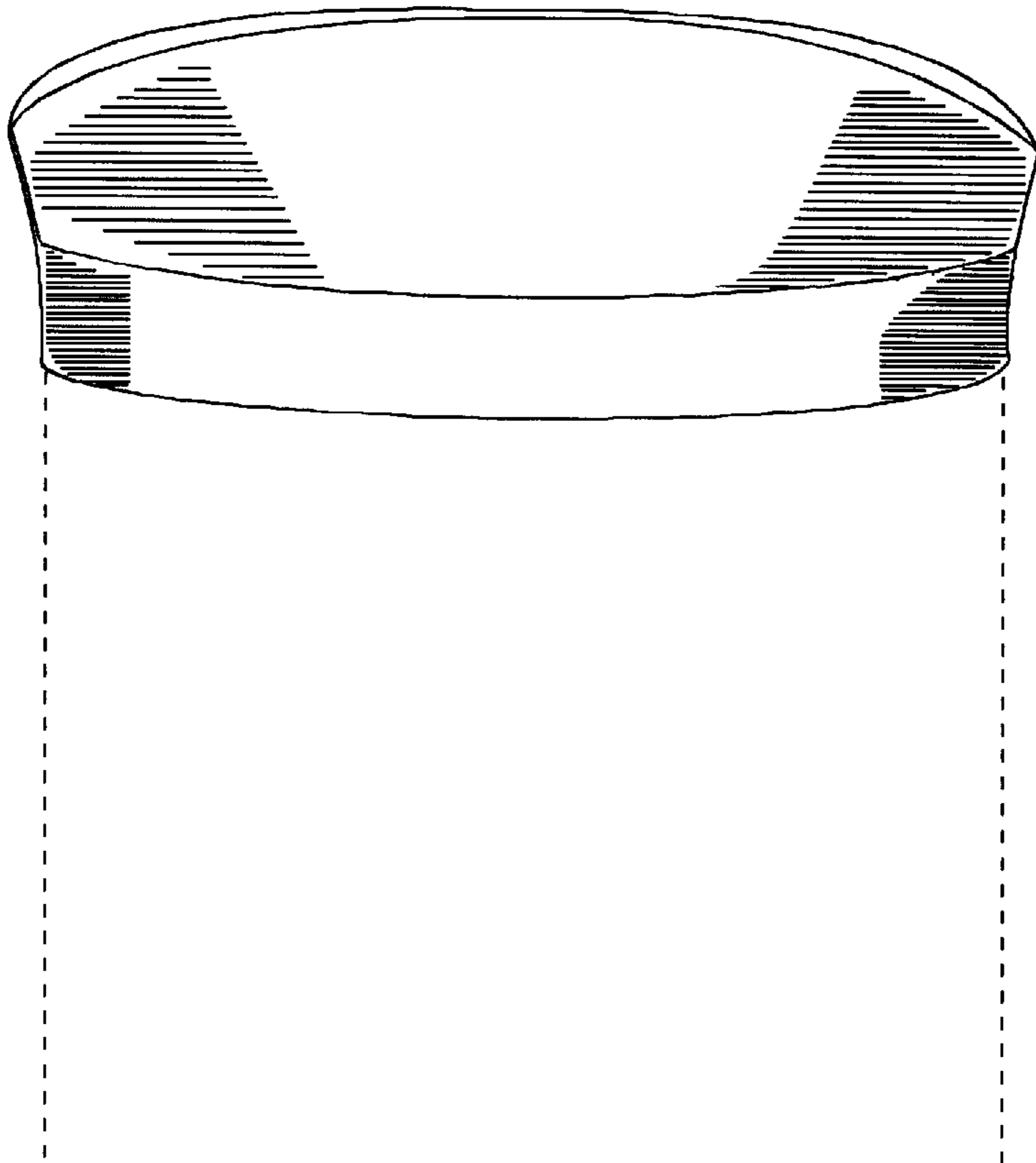


Fig. 4

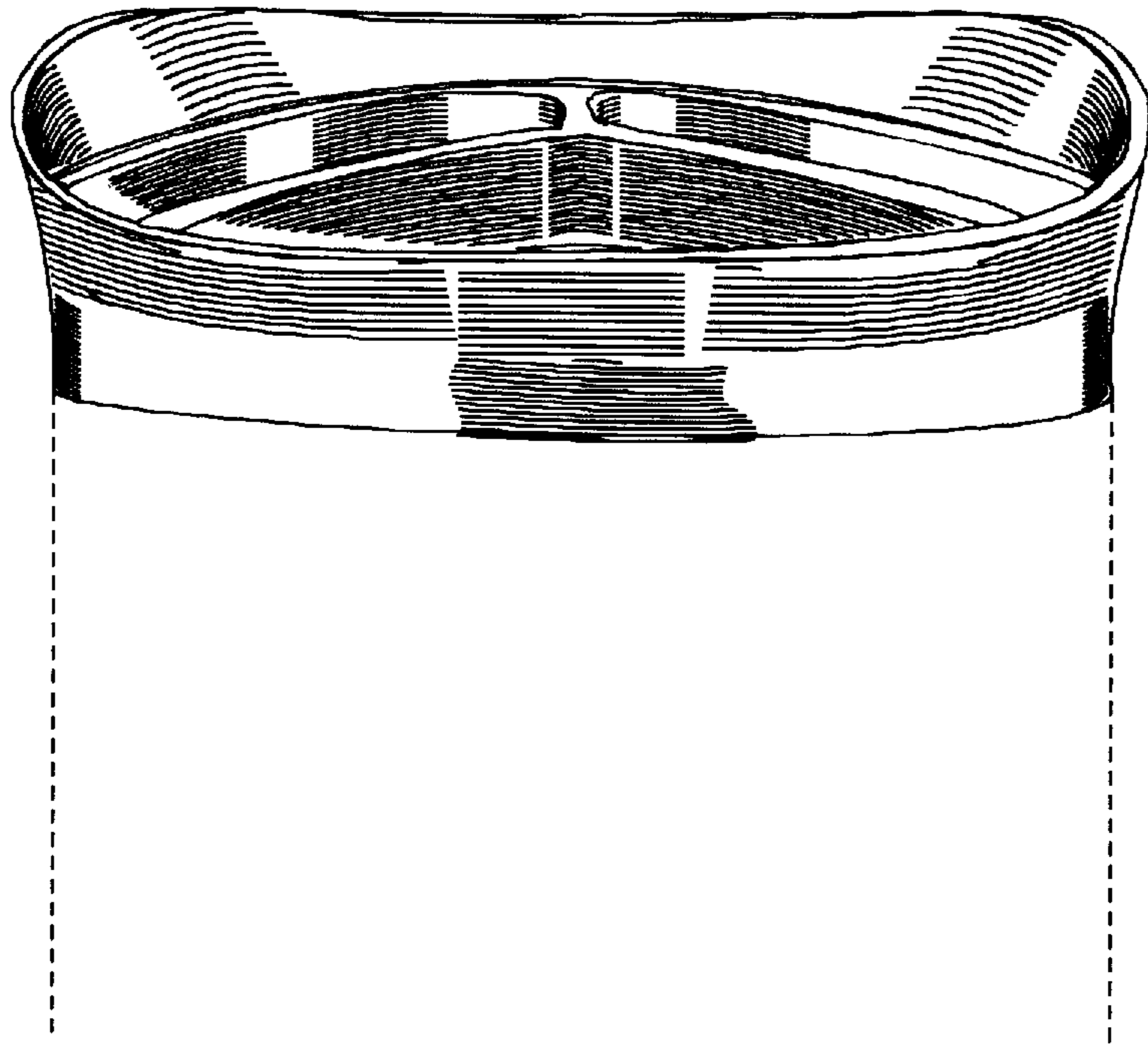


Fig. 5

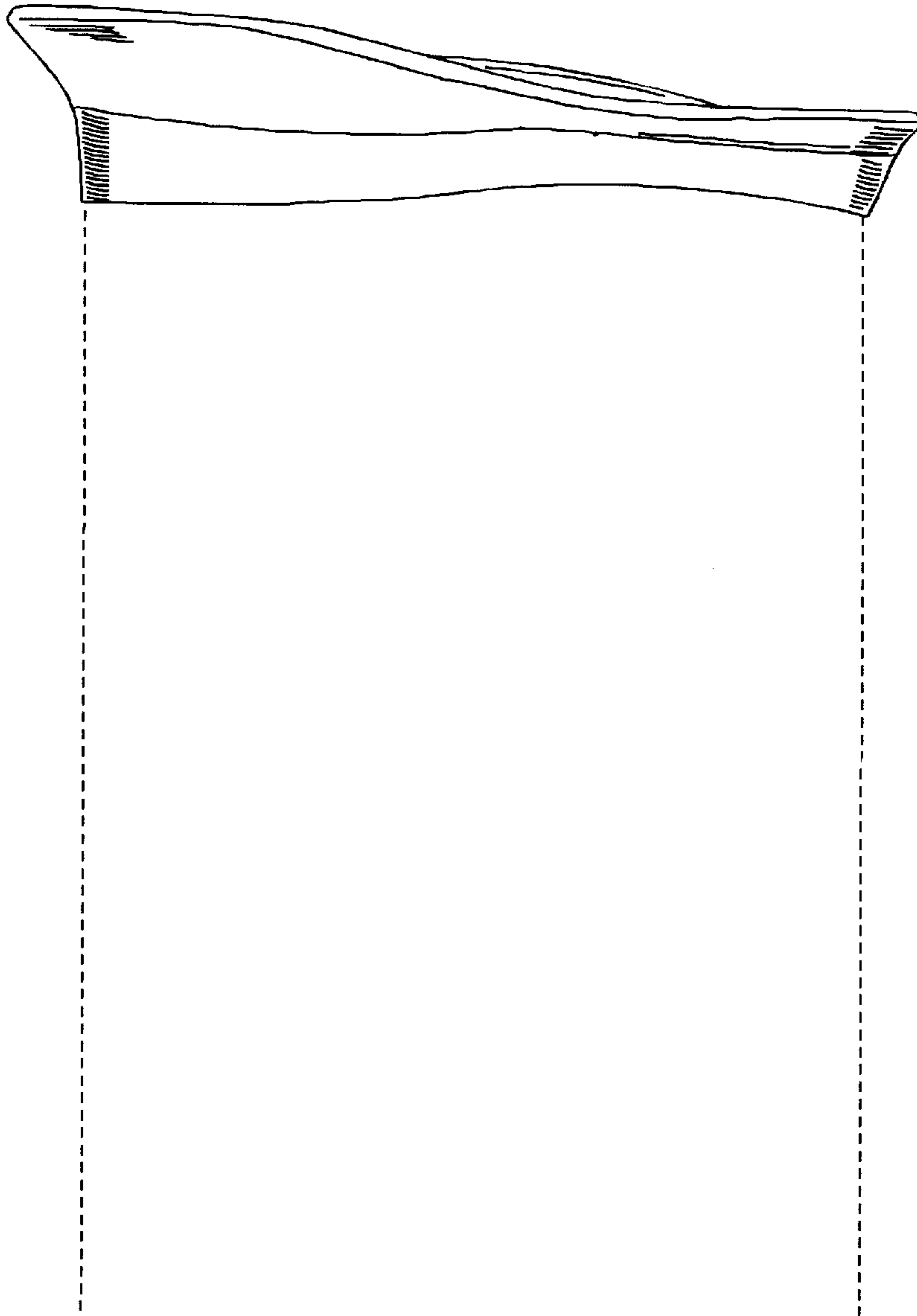


Fig. 6