



US00D405604S

United States Patent [19]
Massey

[11] **Patent Number: Des. 405,604**

[45] **Date of Patent: **Feb. 16, 1999**

[54] **LIQUID CONTAINER CARRIER**

4,088,250 5/1978 Schaefer 224/148.1
4,867,358 9/1989 Bennis 224/148.1
5,240,158 8/1993 Walsh 224/148

[76] Inventor: **John J Massey**, 27 Queens Ct.,
Chalmette, La. 70043

[**] Term: **14 Years**

Primary Examiner—Louis S. Zarfes
Assistant Examiner—Catherine R. Oliver

[21] Appl. No.: **73,447**

[57] **CLAIM**

[22] Filed: **Jul. 10, 1997**

The ornamental design for a liquid container carrier, as shown.

[51] **LOC (6) Cl.** **03-01**

DESCRIPTION

[52] **U.S. Cl.** **D3/229**

[58] **Field of Search** D3/215, 202, 229,
D3/224, 230; D7/605, 606, 607, 608, 619;
D2/629, 631; 224/148.1–148.6, 664, 680,
682, 684, 666, 663

FIG. 1 is a front elevational view of the liquid container carrier showing my new design;

FIG. 2 is a rear elevational view thereof;

FIG. 3 is a left side elevational view thereof;

FIG. 4 is a right side elevational view thereof;

FIG. 5 is a top plan view thereof; and,

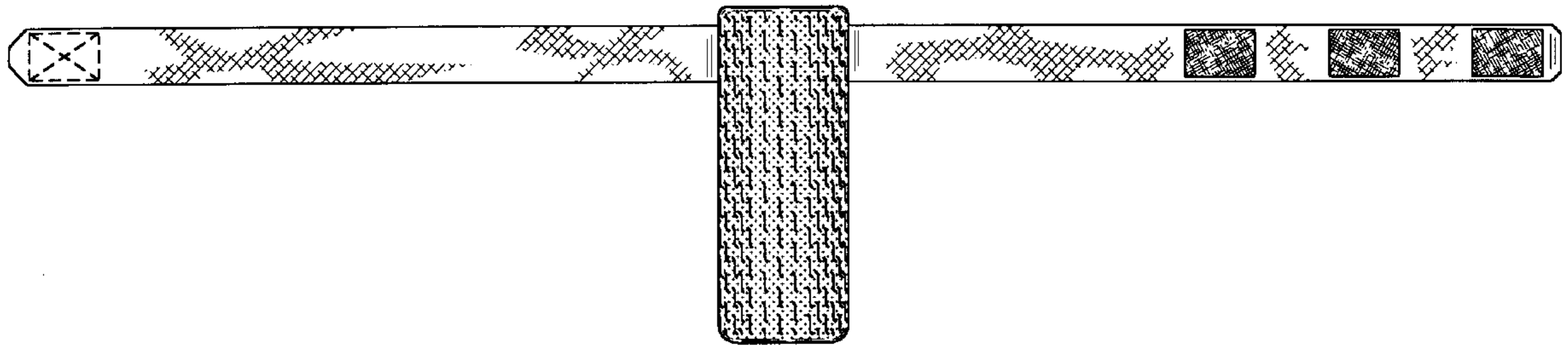
Fig. 6 is a bottom plan view thereof.

[56] **References Cited**

U.S. PATENT DOCUMENTS

D. 255,621 7/1980 Mc Cool D3/229
D. 292,127 9/1987 Aiello D3/215 X

1 Claim, 3 Drawing Sheets



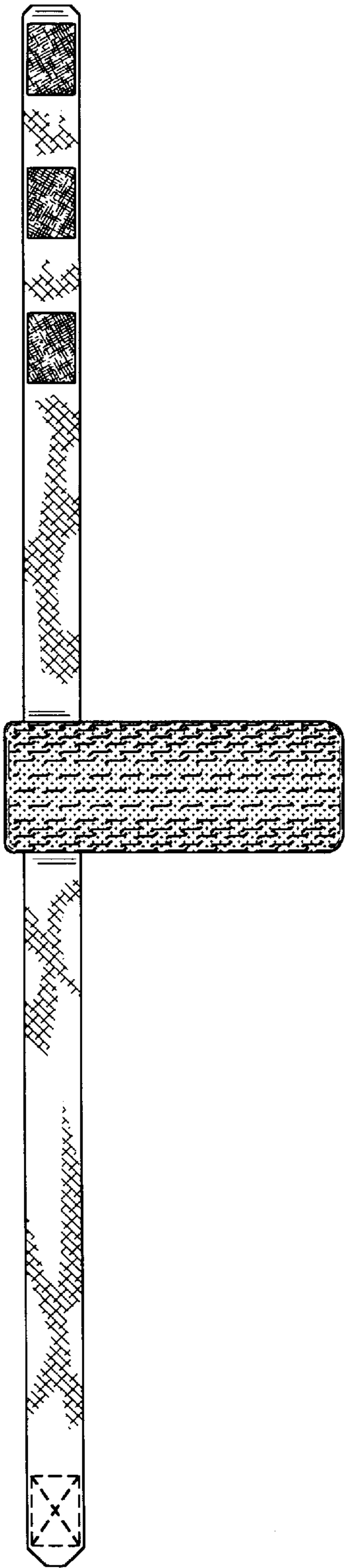


Fig. 1

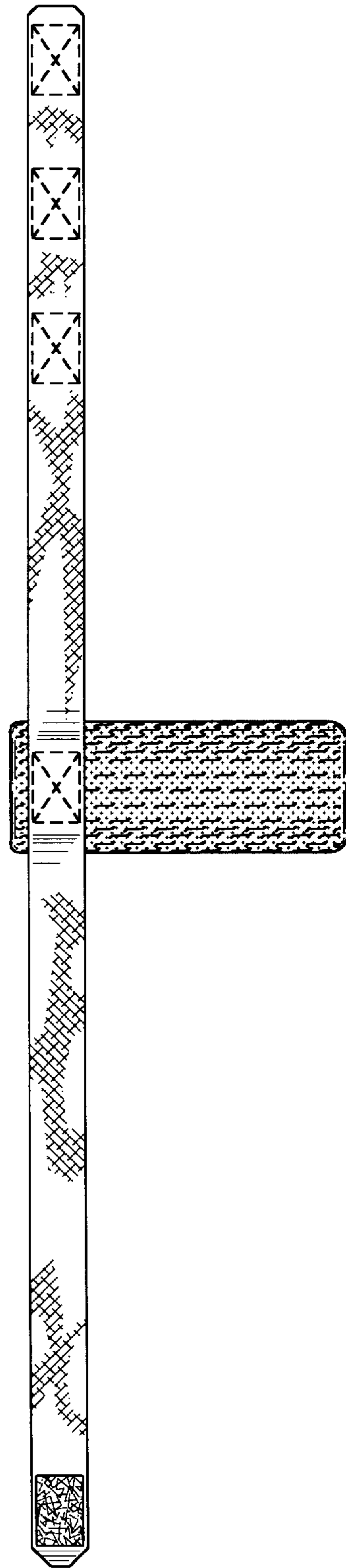


Fig. 2

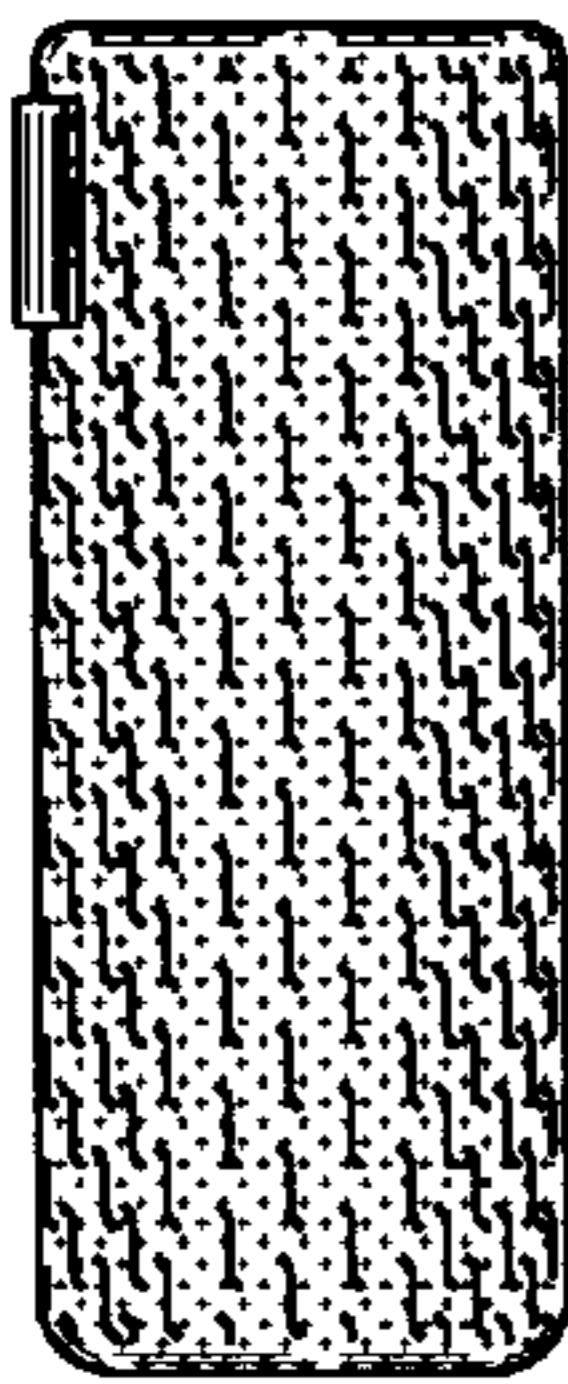


Fig. 3

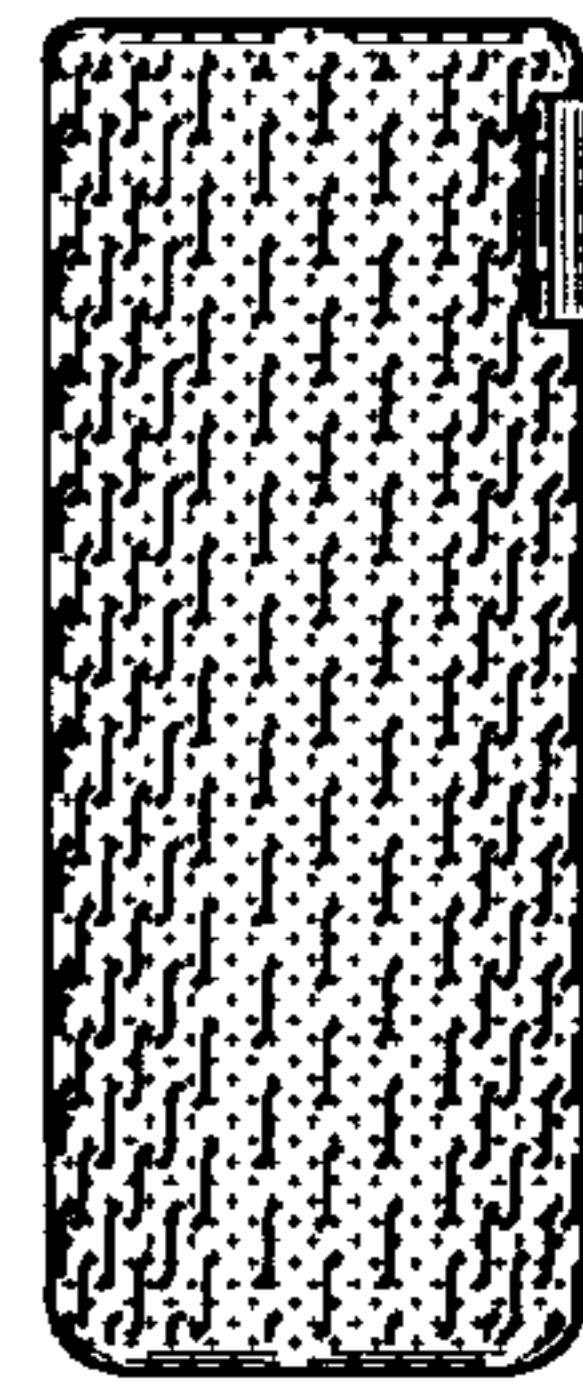


Fig. 4

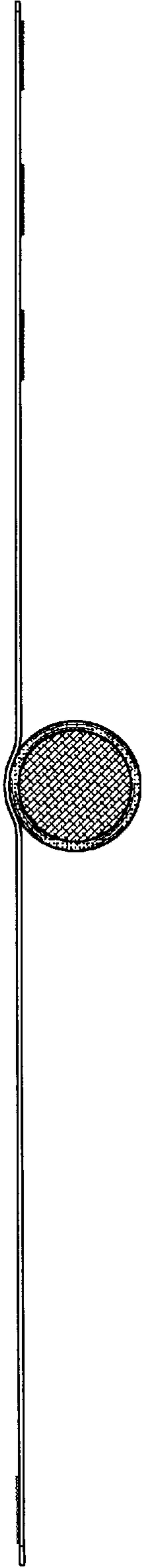


Fig. 5

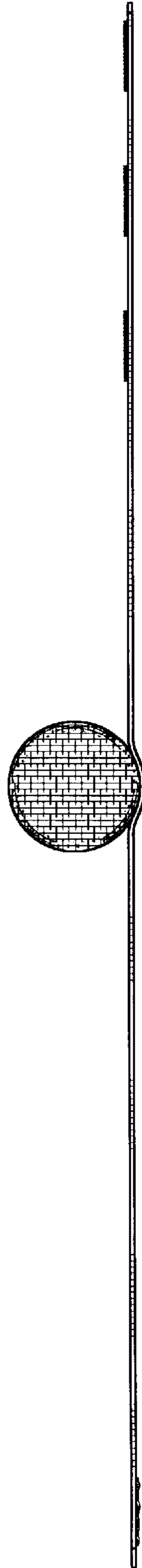


Fig. 6