



US00D405582S

United States Patent [19]

[11] Patent Number: Des. 405,582

Benedict et al.

[45] Date of Patent: **Feb. 9, 1999

[54] THROW FOR BURIAL CASKET

[75] Inventors: Dale G. Benedict, Marysville; Frank R. Wilgus, Powell, both of Ohio

[73] Assignee: Batesville Casket Company, Inc., Batesville, Ind.

[**] Term: 14 Years

[21] Appl. No.: 75,522

[22] Filed: Aug. 20, 1997

3,077,016	2/1963	White	27/19
3,246,379	4/1966	Slaughter et al.	.	
3,316,608	5/1967	Ross	.	
3,344,494	10/1967	McClive	D99/8
3,407,459	10/1968	Elder	27/19
3,810,281	5/1974	Ferber	27/19
4,312,104	1/1982	Baker et al.	27/19
4,337,556	7/1982	Winburn et al.	27/2
4,357,741	11/1982	Winburn et al.	27/19
4,457,054	7/1984	Craft et al.	27/1
4,571,791	2/1986	Ceresko	27/19
4,697,316	10/1987	Semon	27/1
4,823,448	4/1989	Martin	27/35
5,463,800	11/1995	Rojdev	27/27

Related U.S. Application Data

[62] Division of Ser. No. 51,090, Mar. 4, 1996, Pat. No. Des. 390,319.

[51] LOC (6) Cl. 99-00

[52] U.S. Cl. D99/8

[58] Field of Search D99/8, 1, 10, 7, D99/12; 27/2-7, 35, 27, 19

Primary Examiner—Doris V. Coles
Attorney, Agent, or Firm—Wood, Herron & Evans, L.L.P.

[57] CLAIM

The ornamental design for a throw for burial casket, as shown and described.

DESCRIPTION

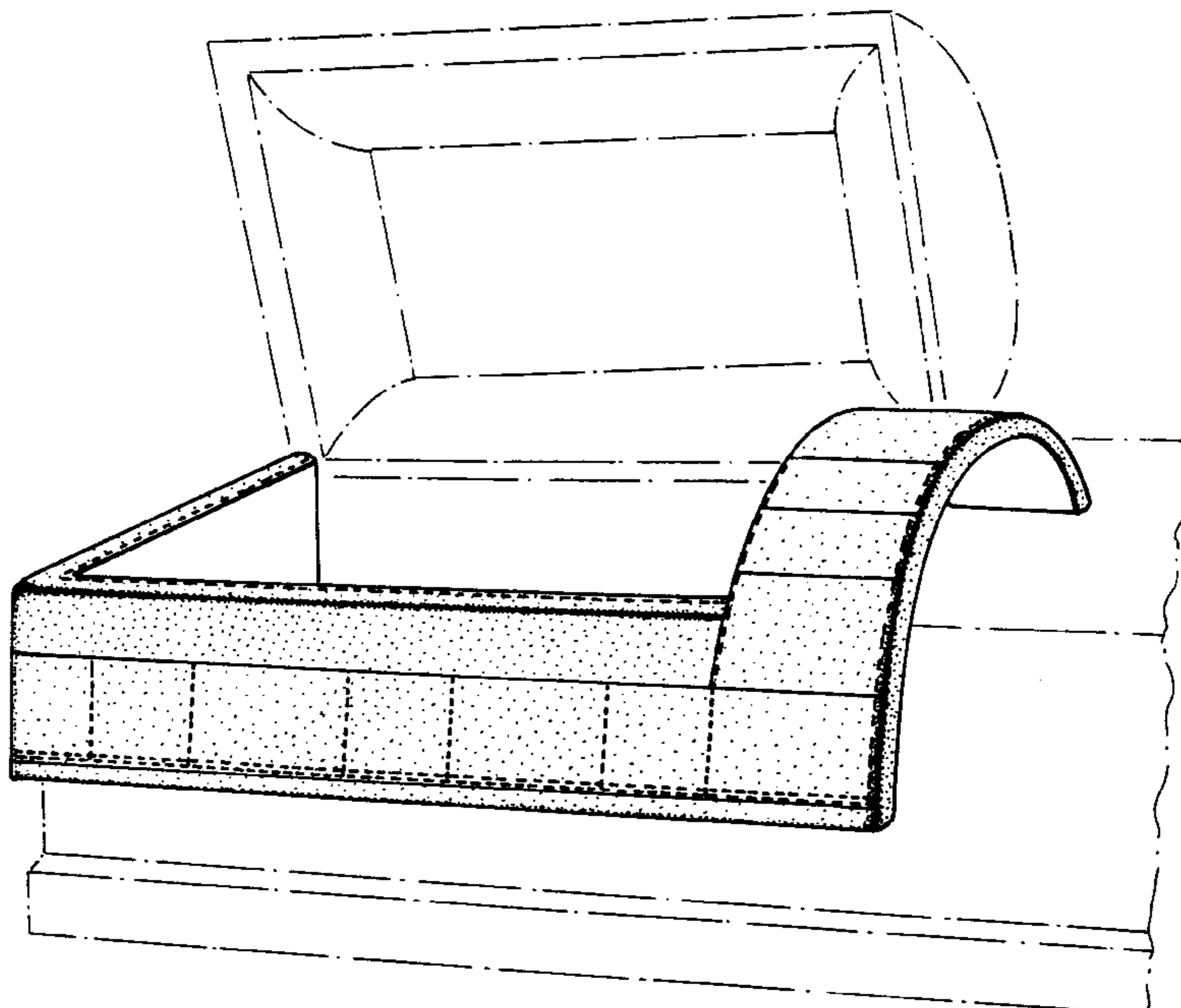
FIG. 1 is a perspective view of a throw for burial casket, showing our new design;
 FIG. 2 is a front elevational view thereof;
 FIG. 3 is a left side elevational view thereof;
 FIG. 4 is a right side elevational view thereof;
 FIG. 5 is a top plan view thereof;
 FIG. 6 is a bottom plan view thereof;
 FIG. 7 is a rear elevational view thereof;
 FIG. 8 is a perspective view of a second embodiment;
 FIG. 9 is a front elevational view thereof;
 FIG. 10 is a left side elevational view thereof;
 FIG. 11 is a right side elevational view thereof;
 FIG. 12 is a top plan view thereof;
 FIG. 13 is a bottom plan view thereof; and,
 FIG. 14 is a rear elevational view thereof.

[56] References Cited

U.S. PATENT DOCUMENTS

D. 092,515	6/1934	Bloxsom	D99/10
D. 236,764	9/1975	Wettering	D5/52
D. 236,765	9/1975	Wettering	D5/52
D. 276,283	11/1984	Beardsley	D99/8
D. 288,256	2/1987	Beardsley	D99/7
D. 288,257	2/1987	Beardsley	D99/7
D. 294,763	3/1988	Beardsley	D99/7
D. 300,579	4/1989	Beardsley	D99/7
D. 328,663	8/1992	Beardsley	D99/1
D. 338,314	8/1993	Beardsley	D99/7
D. 338,992	8/1993	Beardsley	D99/1
1,500,141	7/1924	MacDonald	.	
1,746,195	2/1930	Knaus	27/19
1,931,828	10/1933	Overstreet	27/19
2,676,383	4/1954	Lipman	D99/7

1 Claim, 4 Drawing Sheets



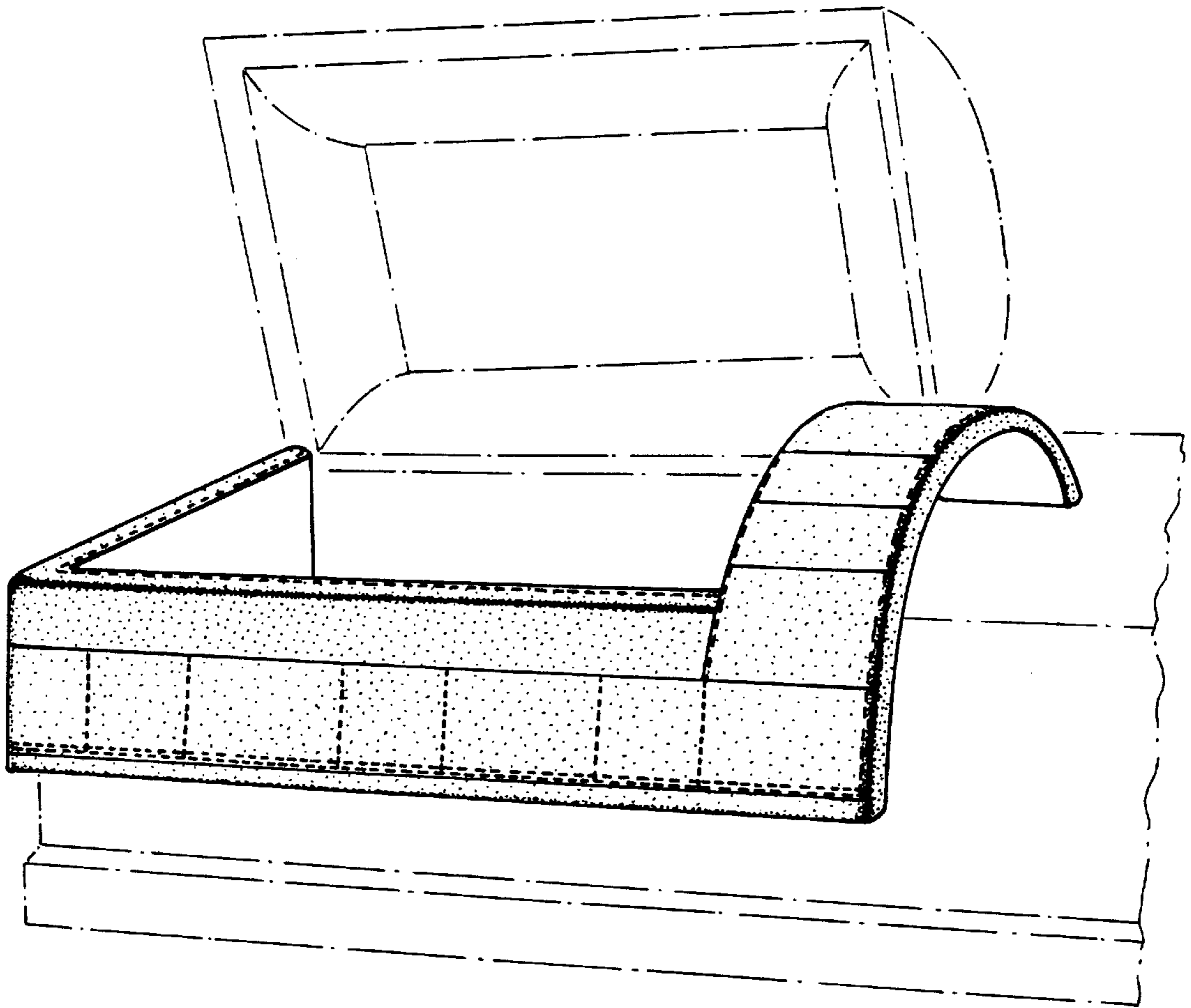


FIG. 1

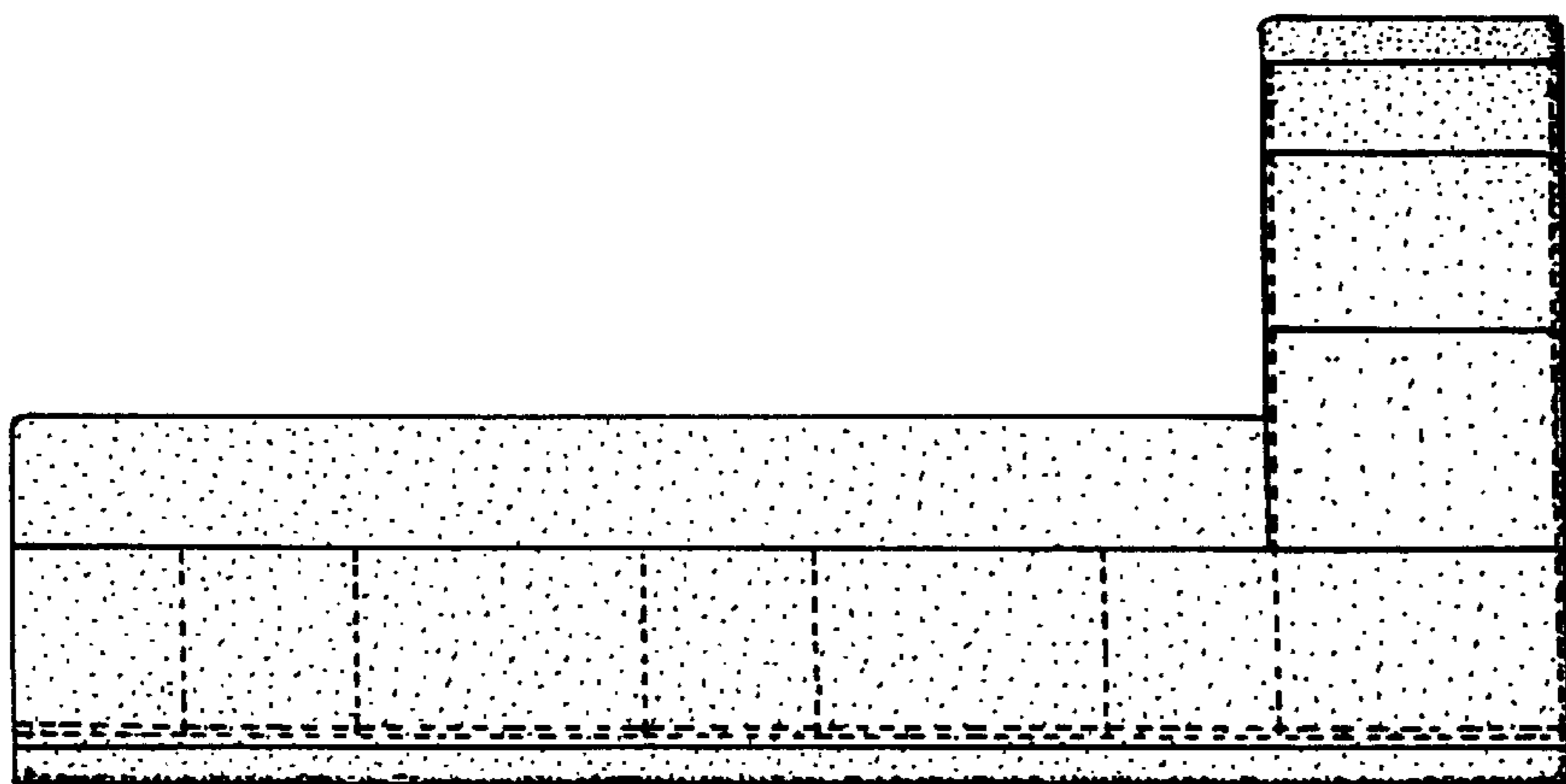


FIG. 2

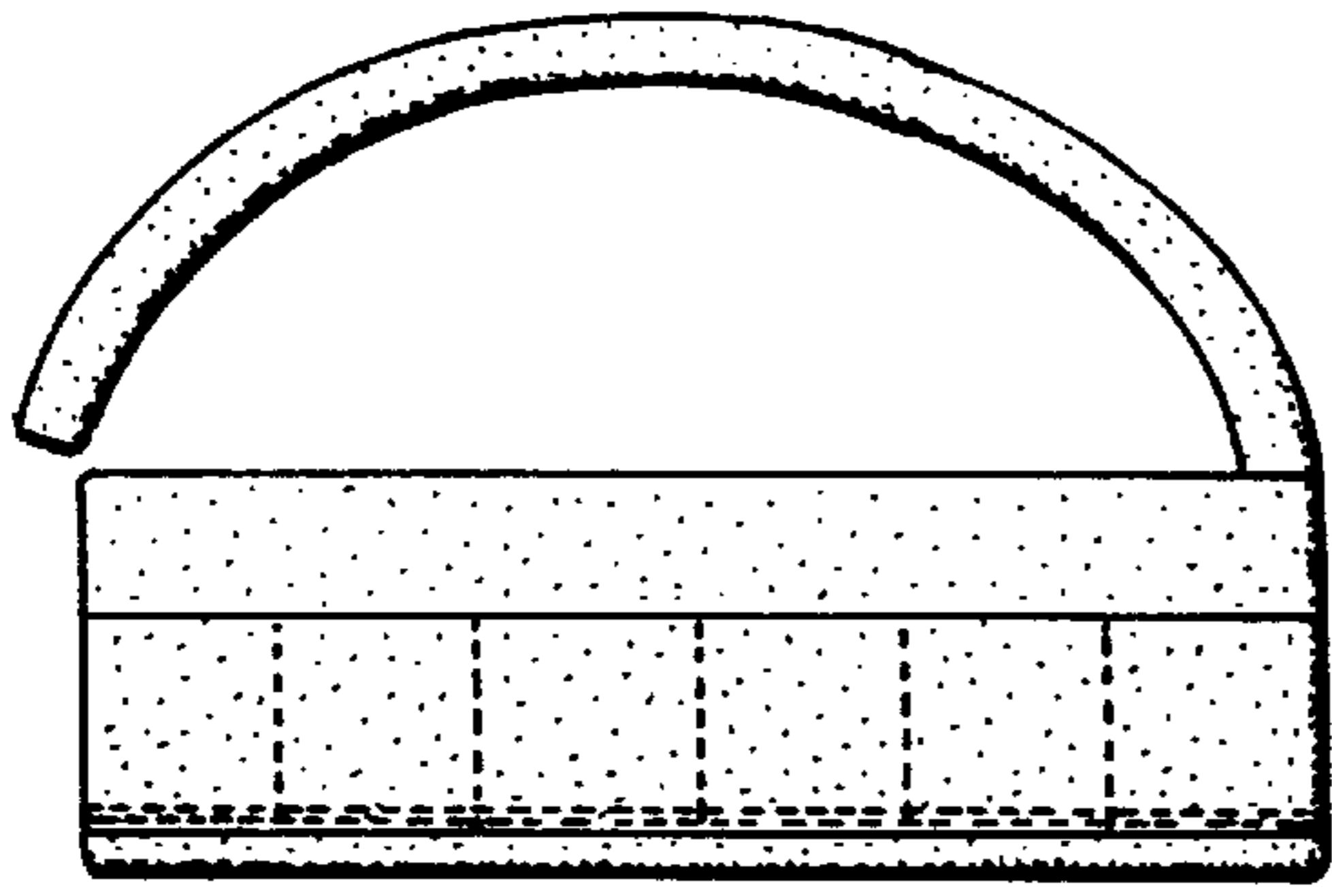


FIG. 3

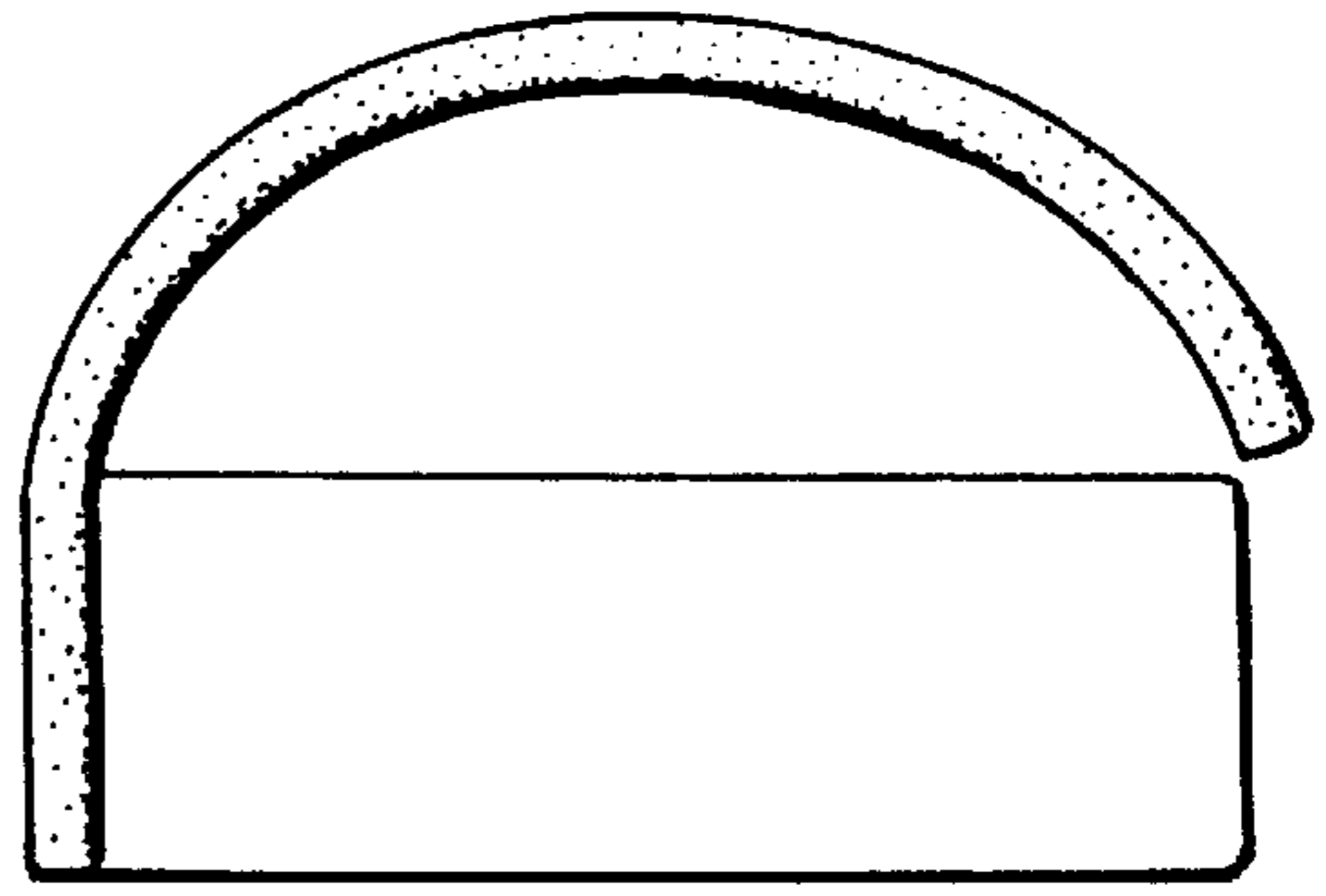


FIG. 4

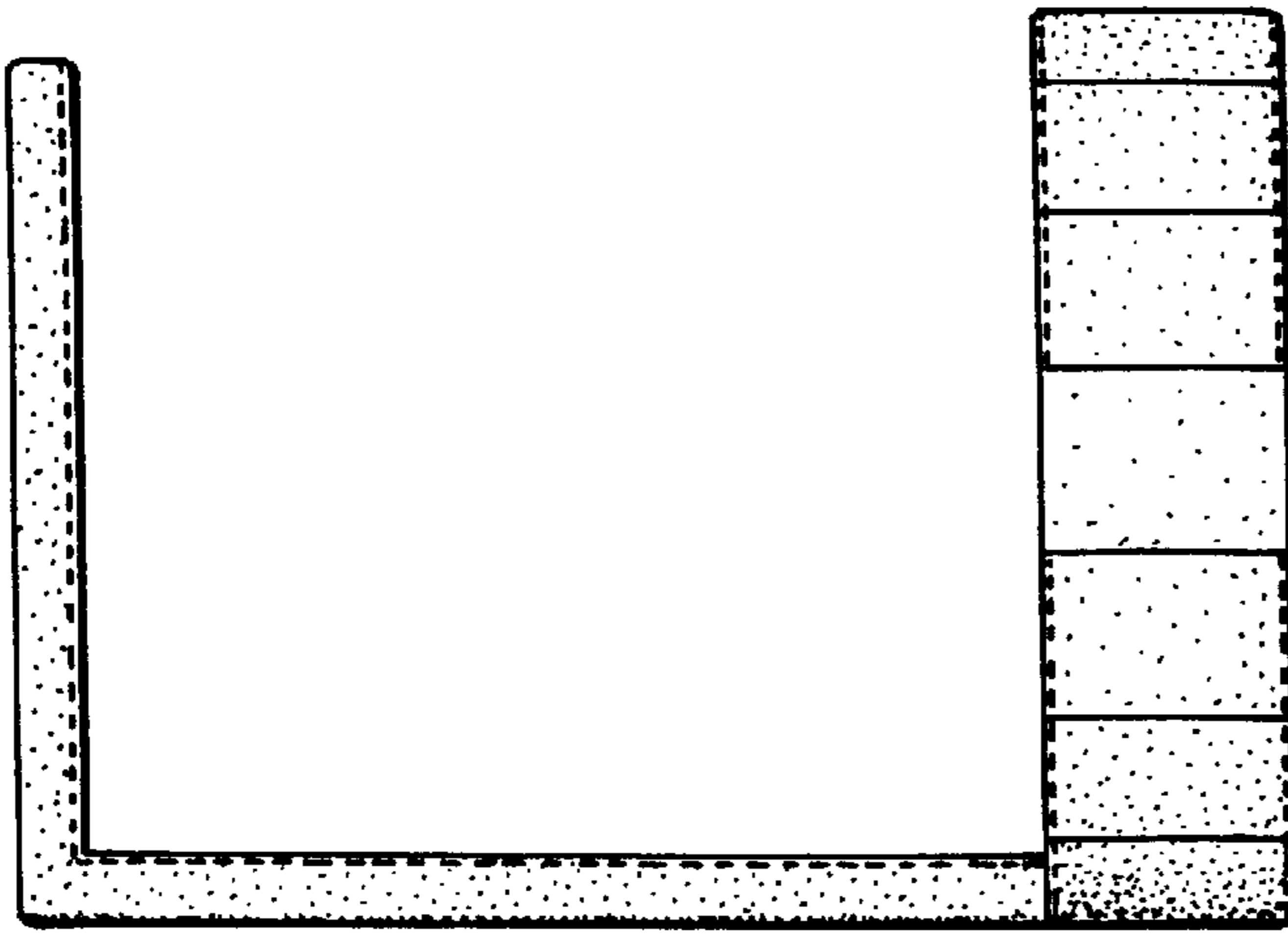


FIG. 5

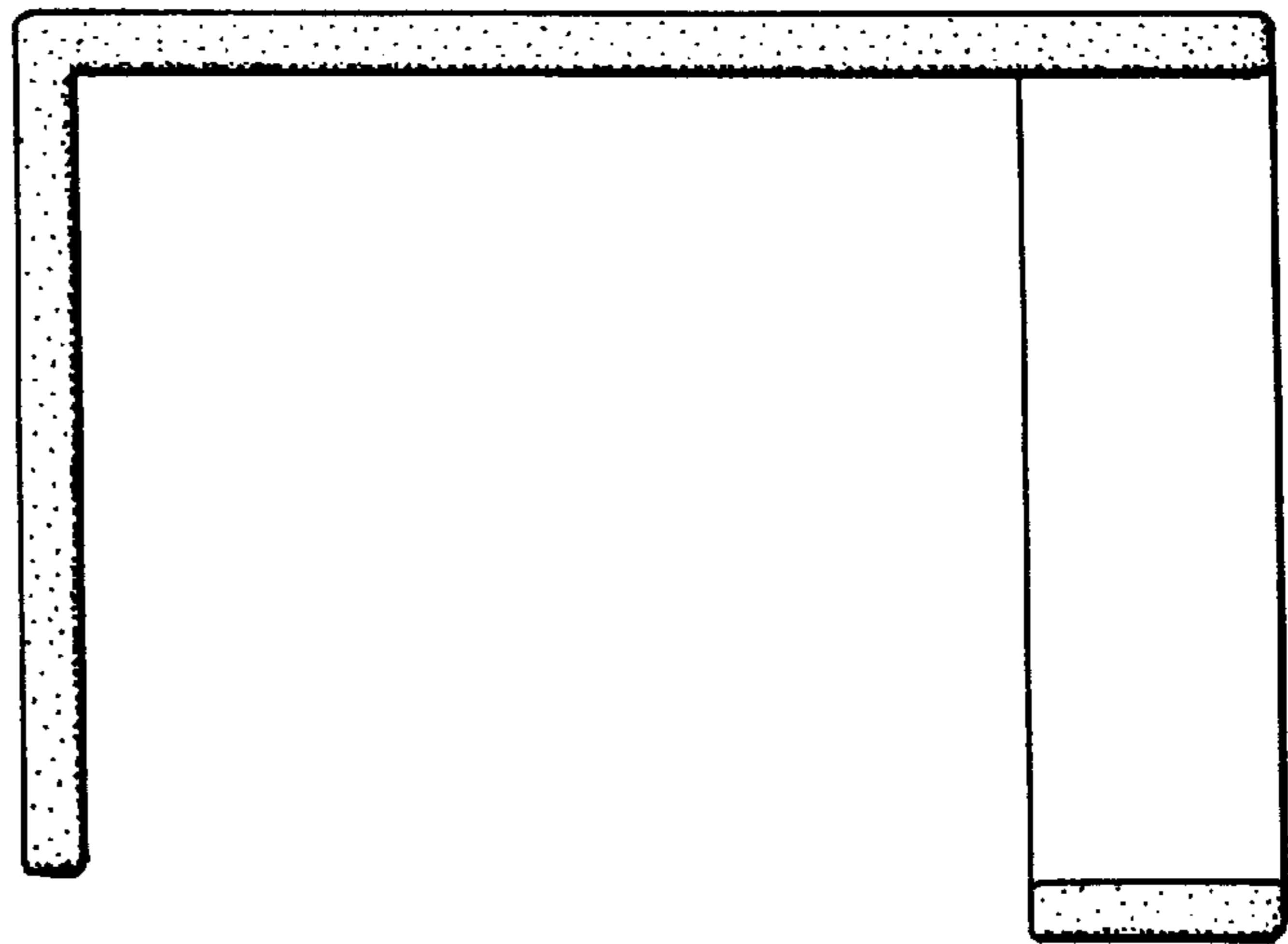


FIG. 6

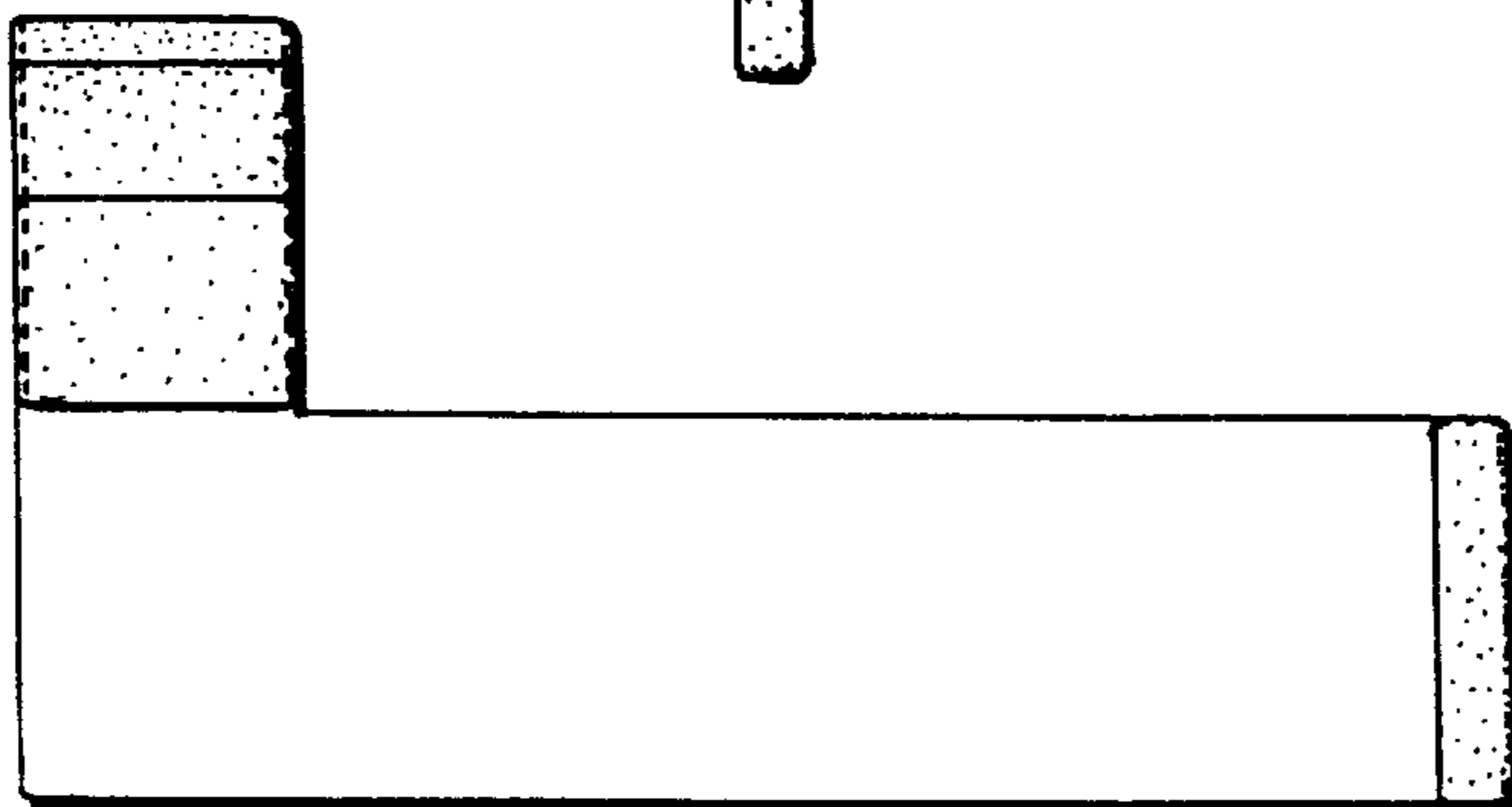


FIG. 7

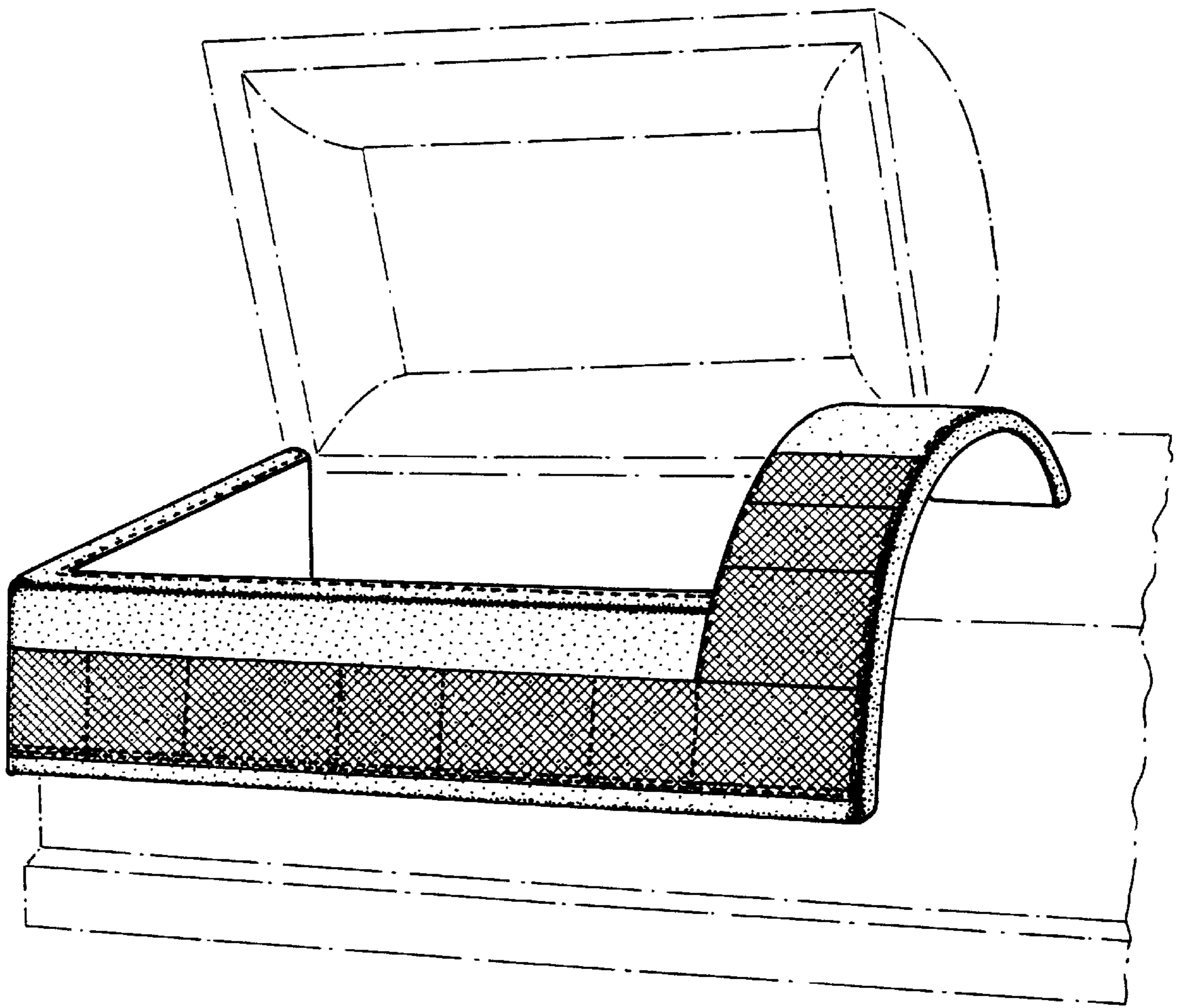


FIG. 8

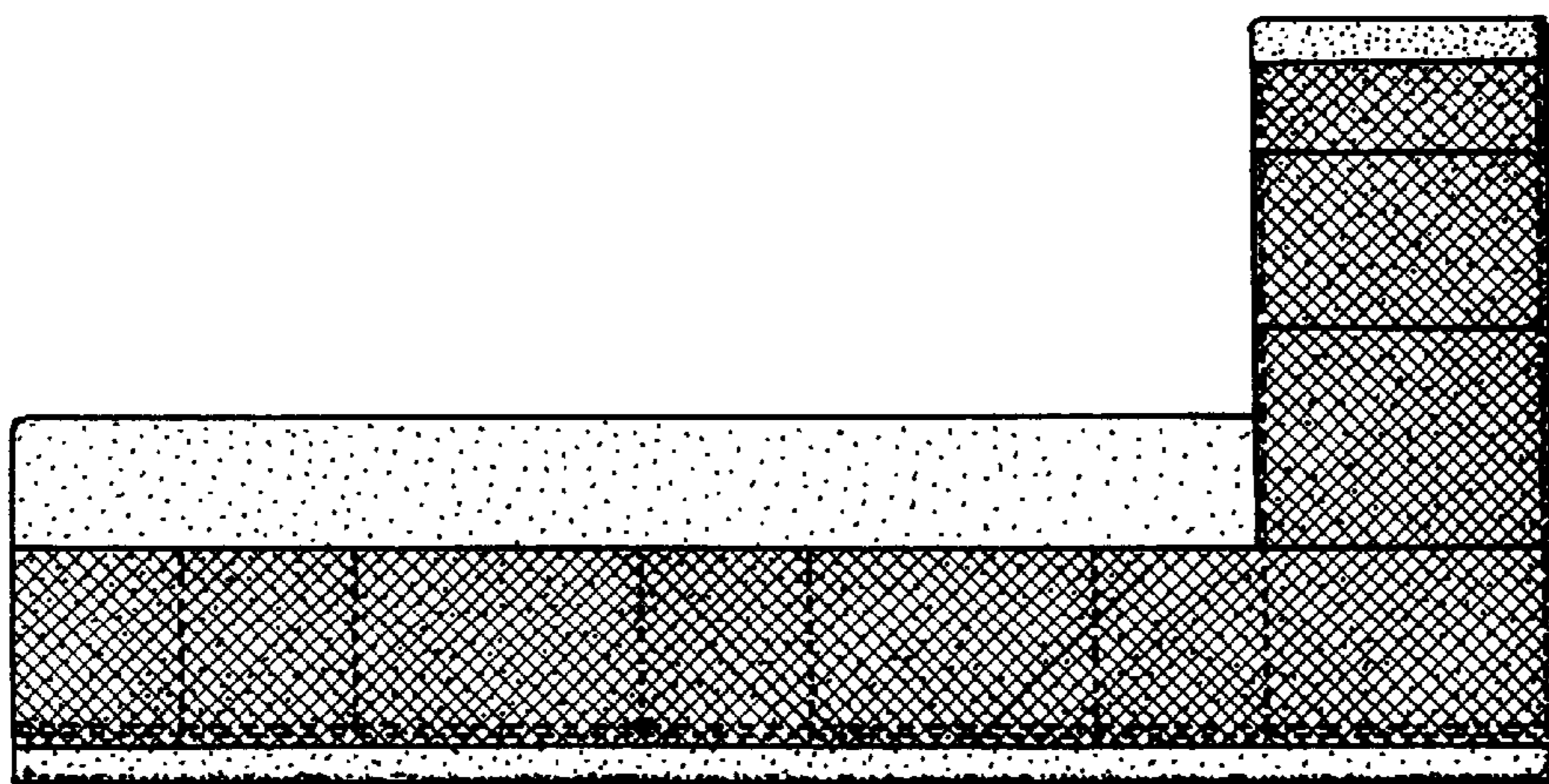


FIG. 9

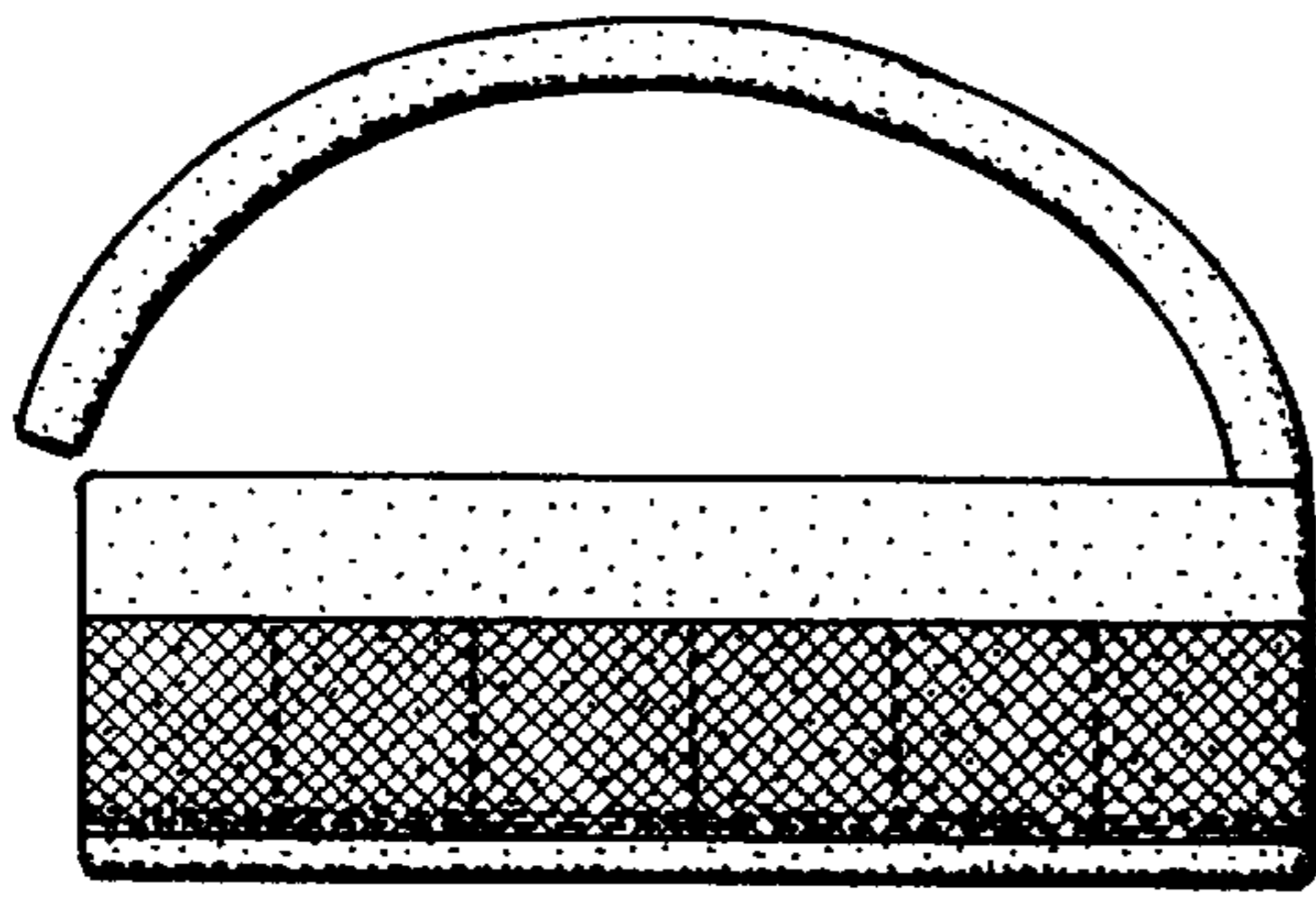


FIG. 10

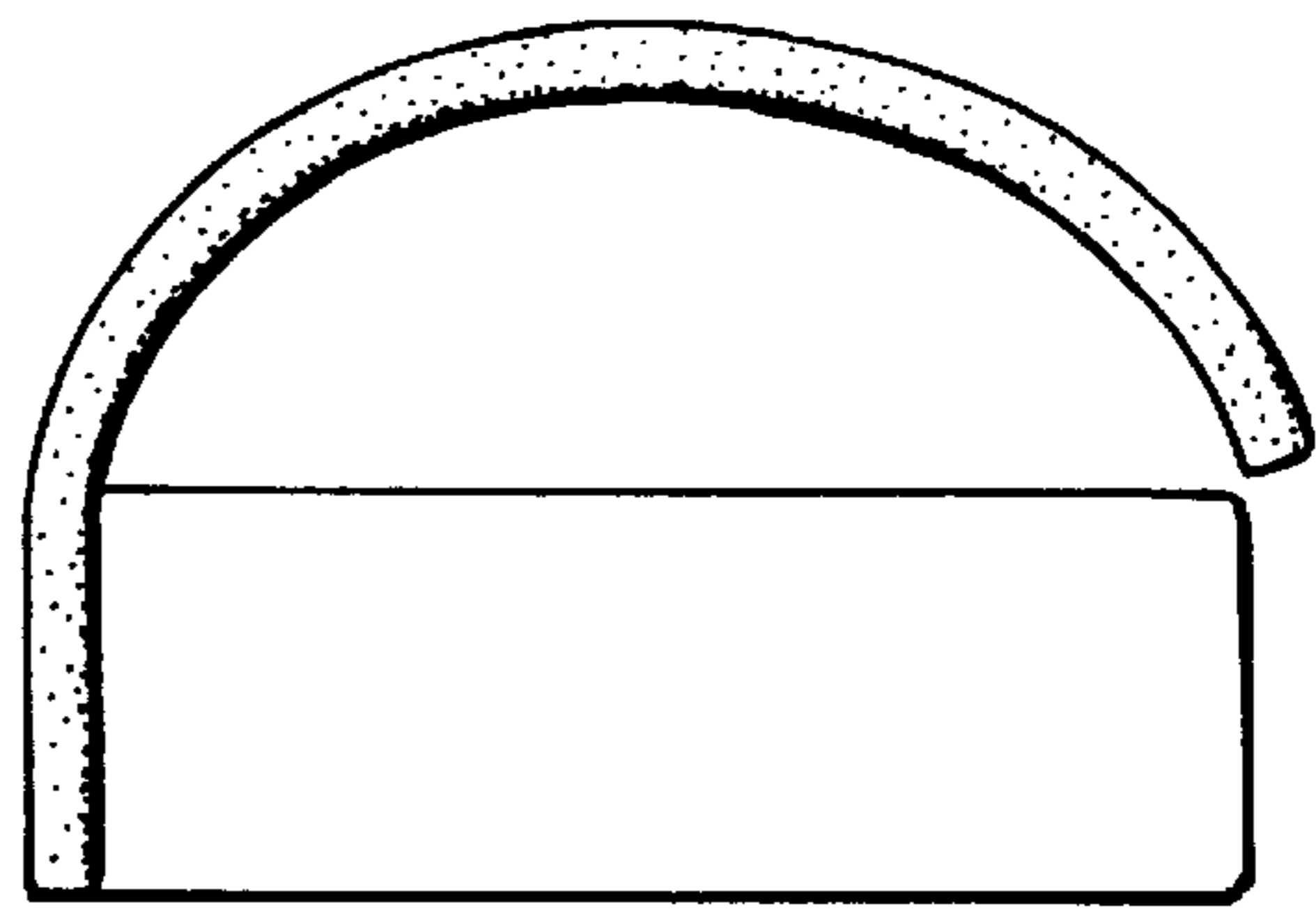


FIG. 11

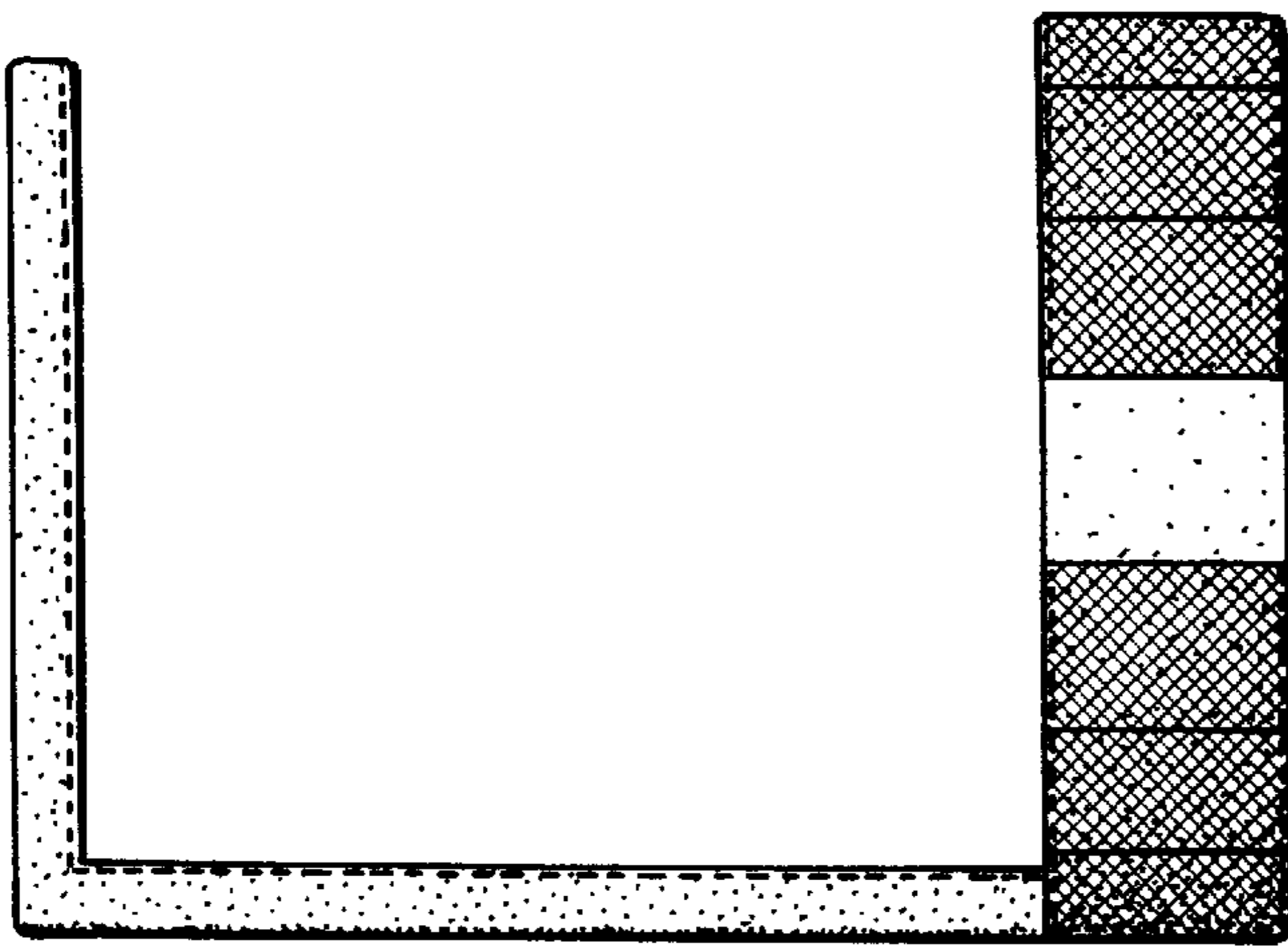


FIG. 12

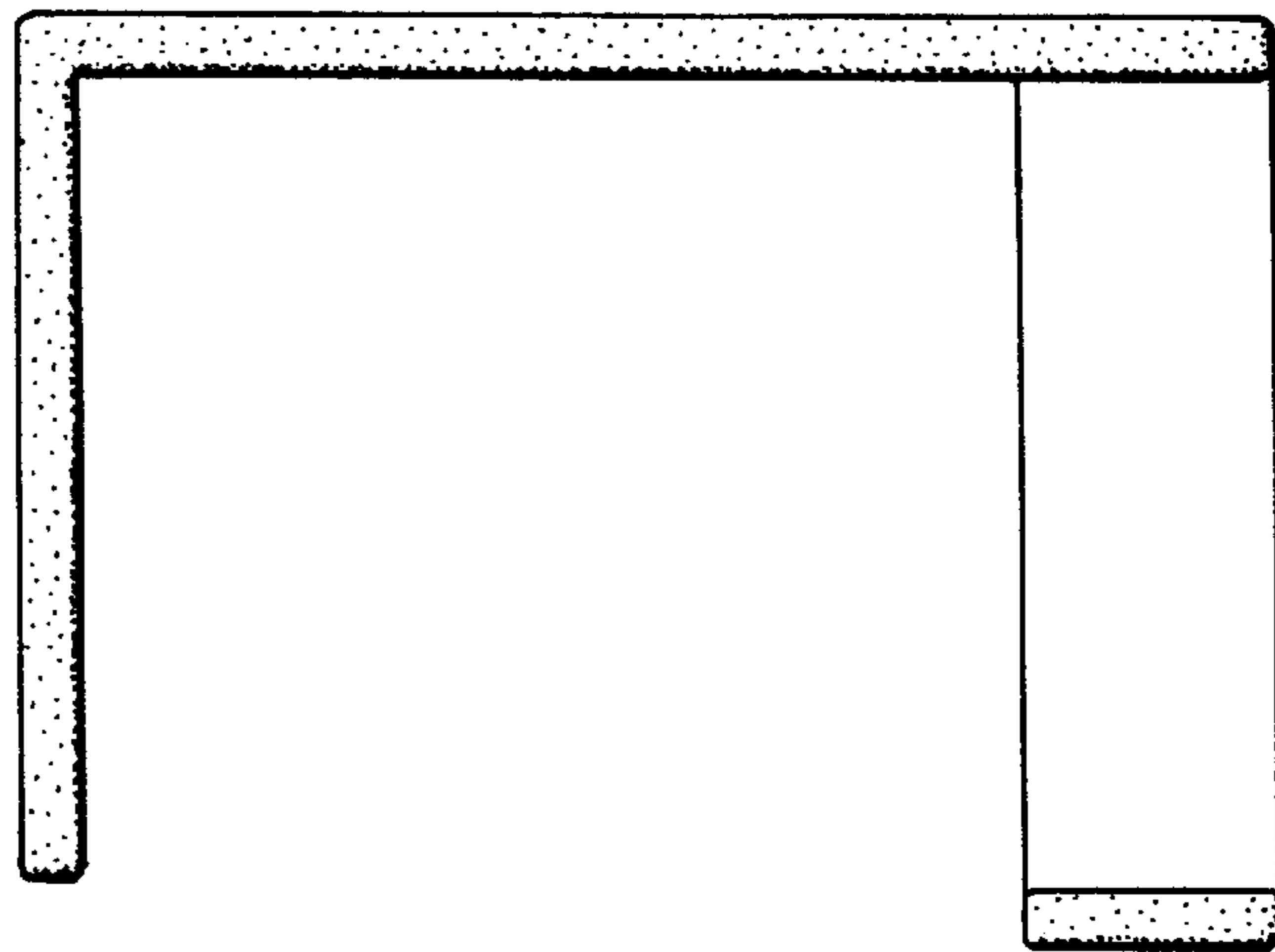


FIG. 13

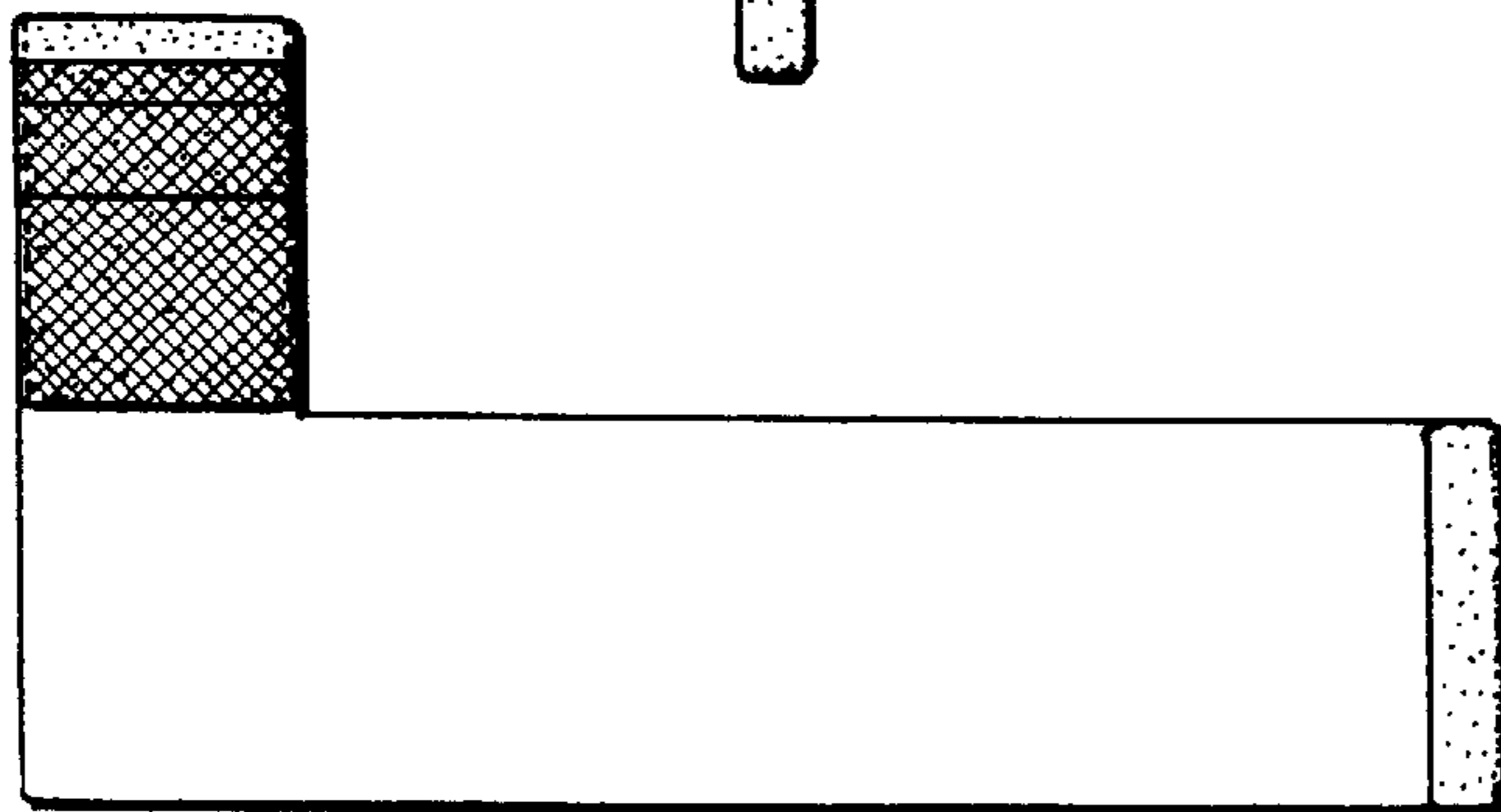


FIG. 14