



US00D405580S

United States Patent [19] Vanderminden

[11] **Patent Number:** **Des. 405,580**

[45] **Date of Patent:** ****Feb. 9, 1999**

[54] **BAR CART**

D. 203,200 12/1965 Klein et al. D34/20
D. 371,879 7/1996 Linder D34/21

[75] Inventor: **William M. Vanderminden**, Middle
Granville, N.Y.

Primary Examiner—Kay H. Chin
Attorney, Agent, or Firm—McAulay Nissen Goldberg Kiel
& Hand, LLP

[73] Assignee: **Telescope Casual Furniture Company**,
Granville, N.Y.

[**] Term: **14 Years**

[57] **CLAIM**

The ornamental design for a bar cart, as shown.

[21] Appl. No.: **90,040**

DESCRIPTION

[22] Filed: **Jun. 29, 1998**

[51] **LOC (6) Cl.** **12-02**

[52] **U.S. Cl.** **D34/24; D34/21**

[58] **Field of Search** D34/12-27; D6/481,
D6/474; 108/59, 106, 107; 211/13.1, 126.1,
133.1

FIG. 1 is a perspective view of a bar cart showing my new design;

FIG. 2 is a front elevational view thereof;

FIG. 3 is a rear elevational view thereof;

FIG. 4 is a left side elevational view thereof;

FIG. 5 is a right side elevational view thereof;

FIG. 6 is a top plan view thereof; and,

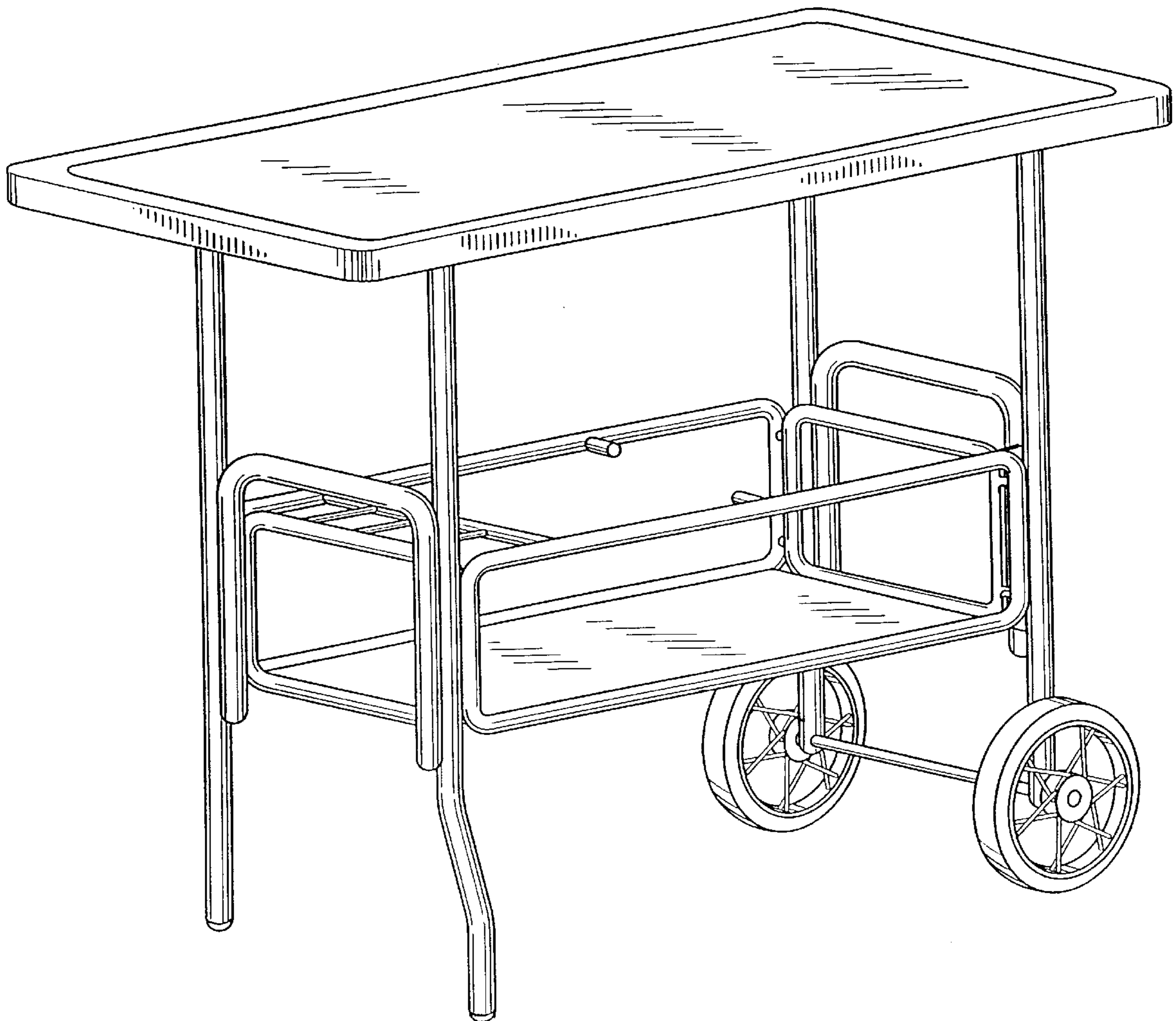
FIG. 7 is a bottom plan view thereof.

[56] **References Cited**

U.S. PATENT DOCUMENTS

D. 188,315 7/1960 Frick D34/20

1 Claim, 4 Drawing Sheets



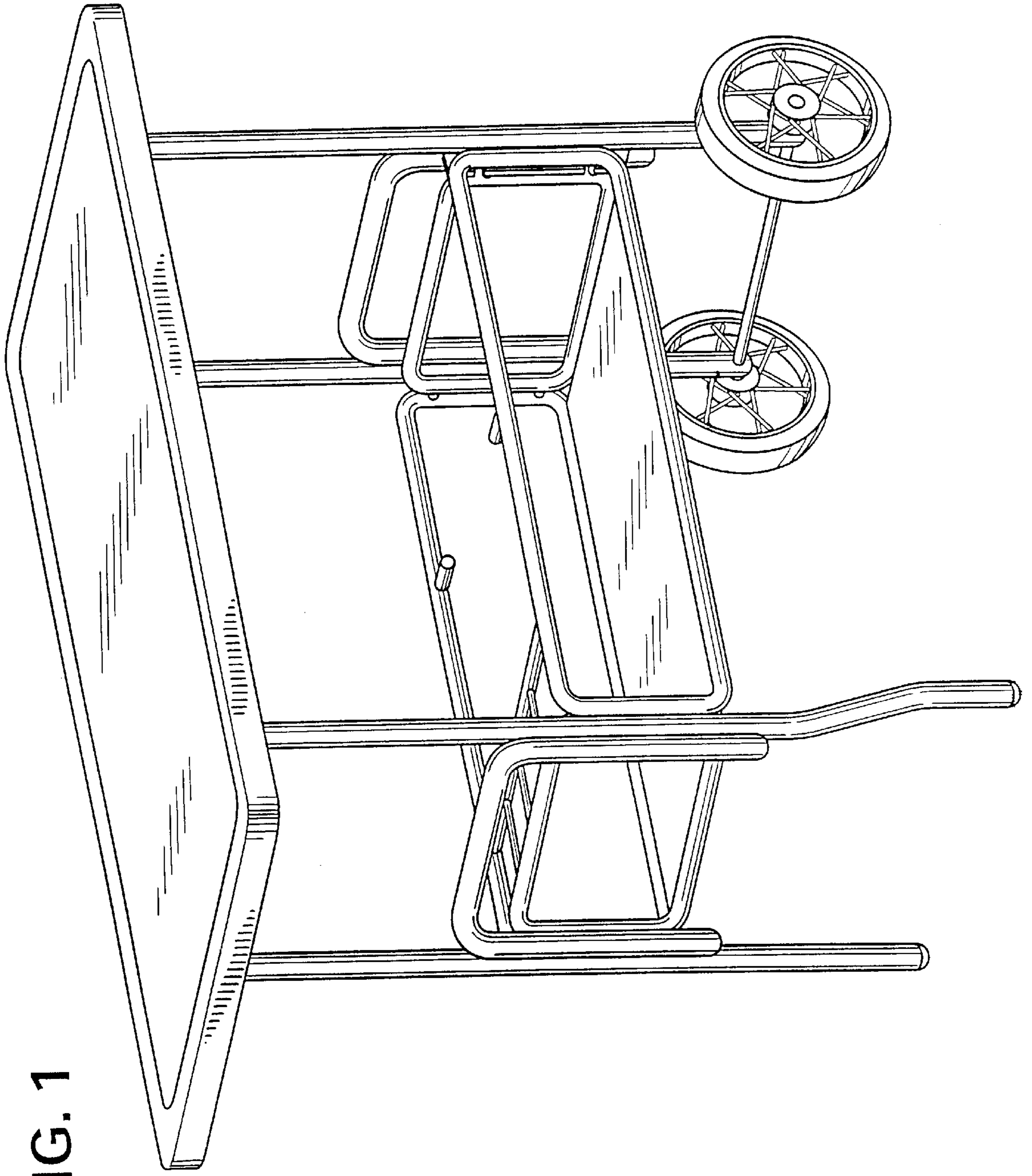


FIG. 1

FIG. 2

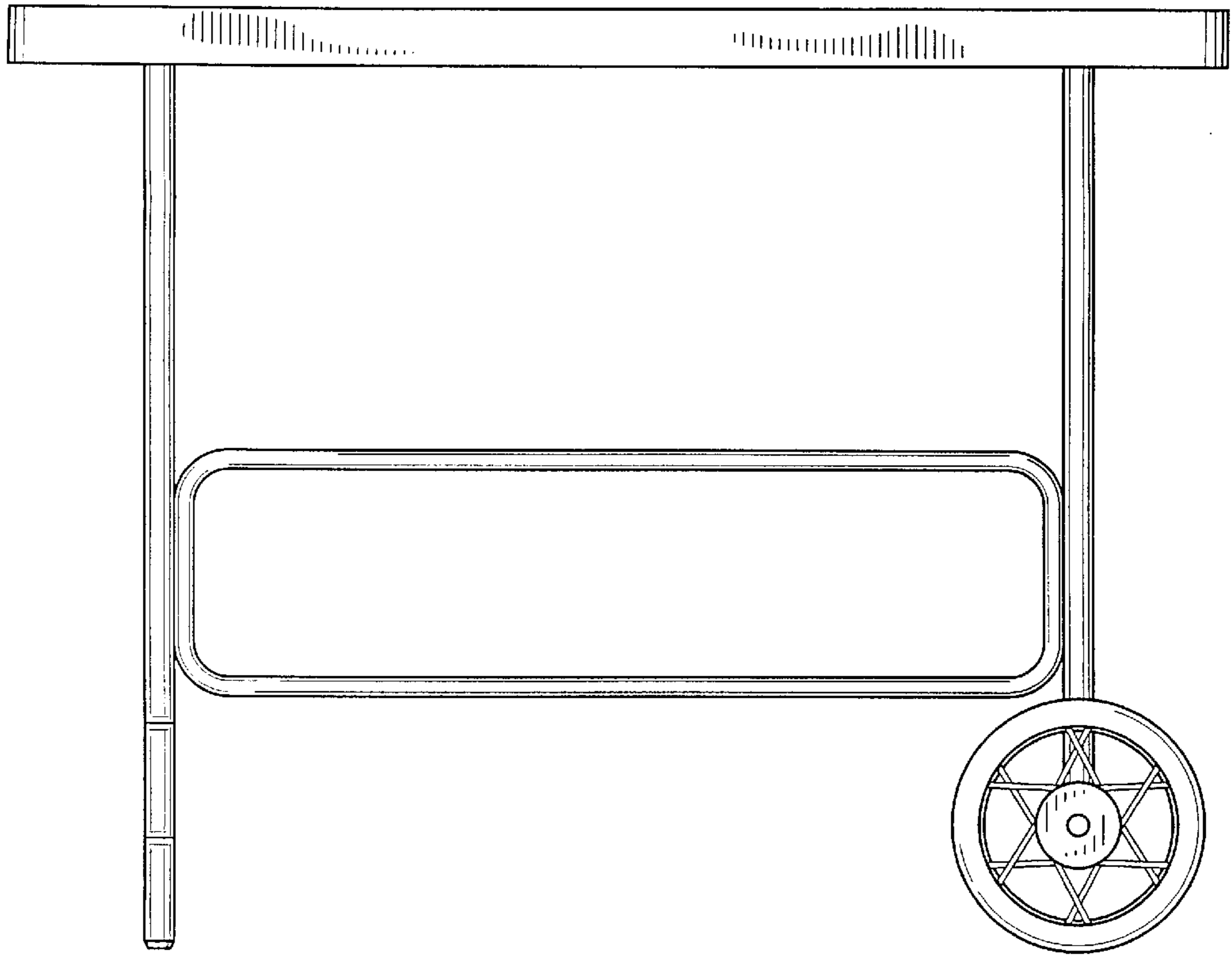


FIG. 3

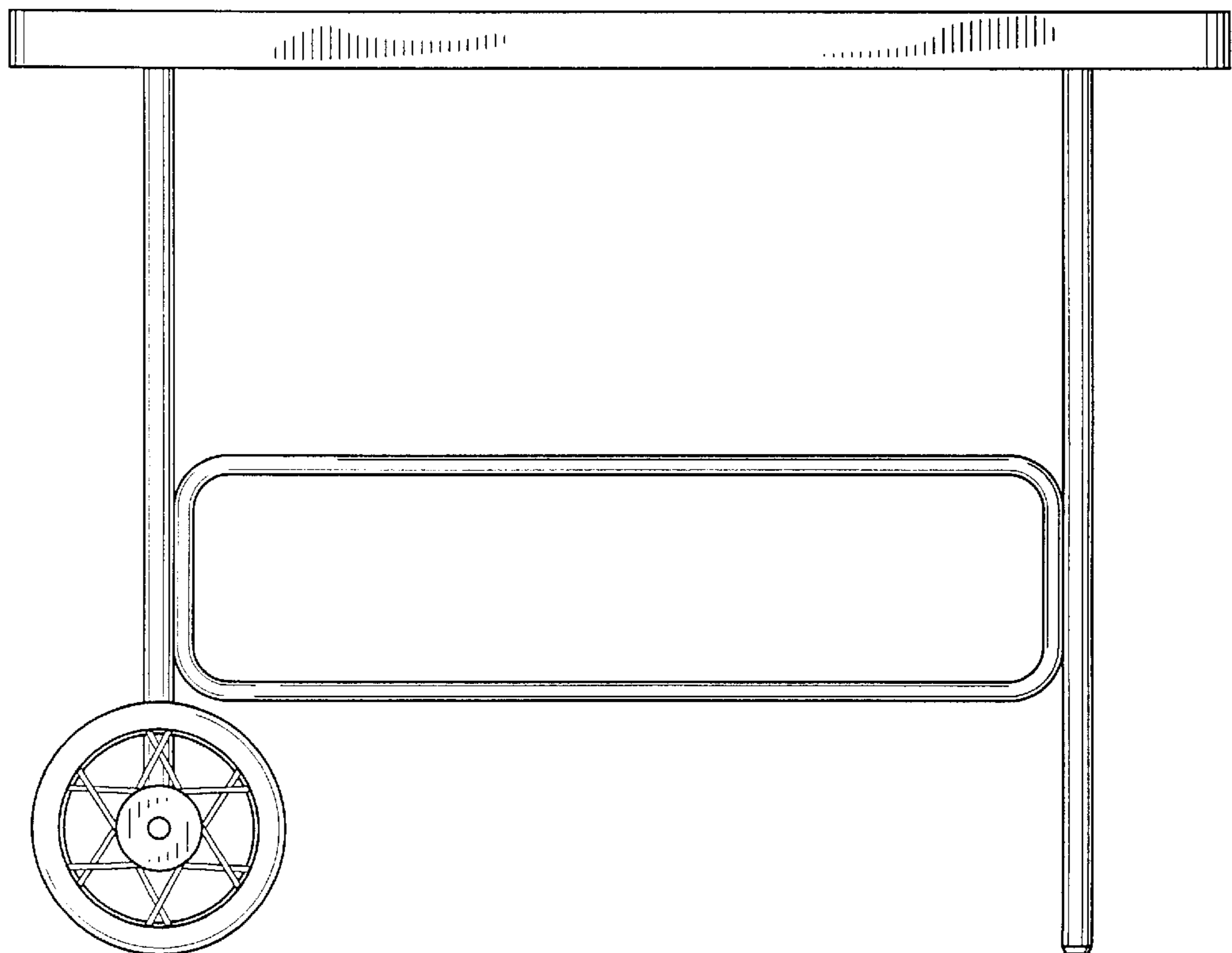


FIG. 5

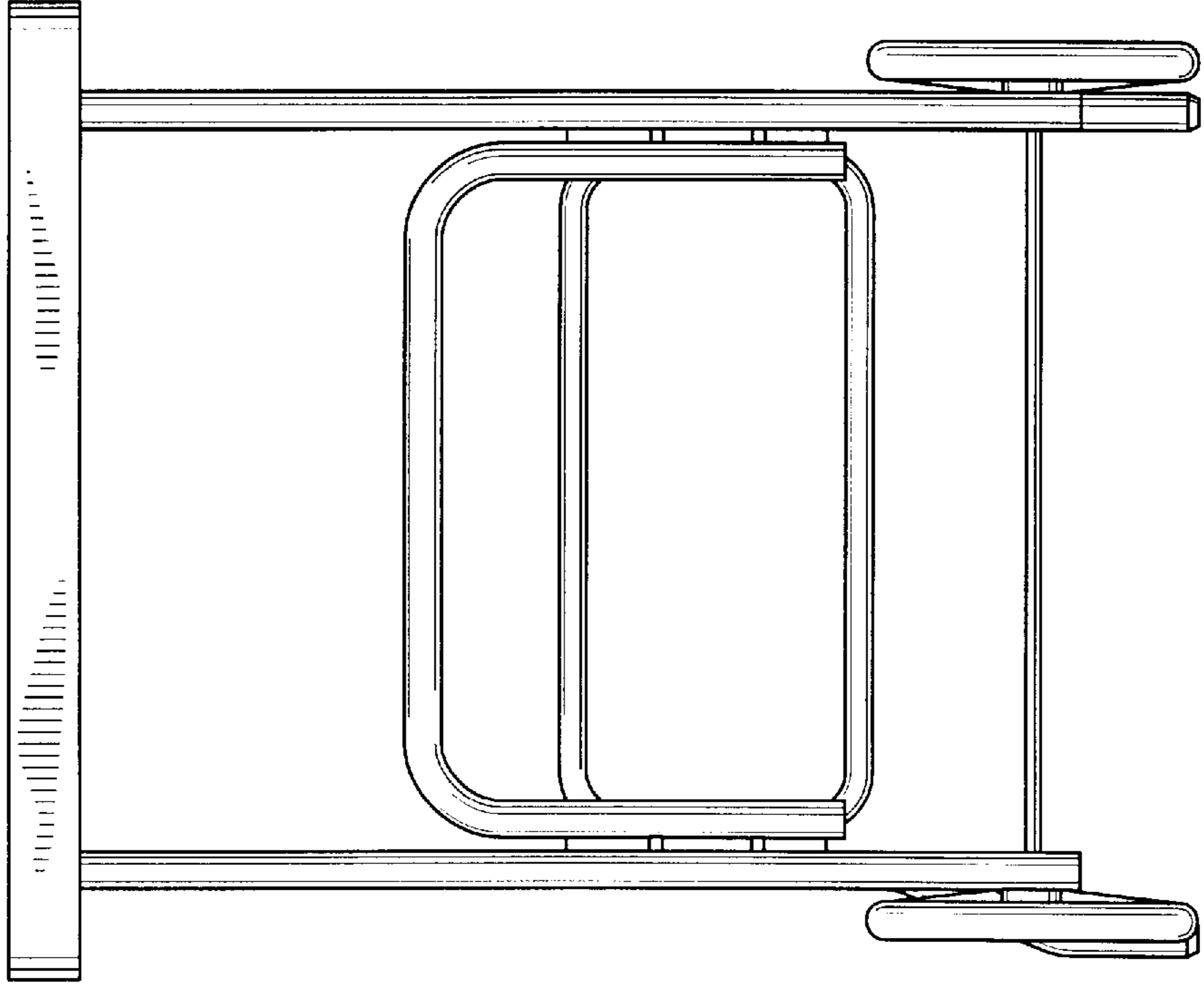


FIG. 4

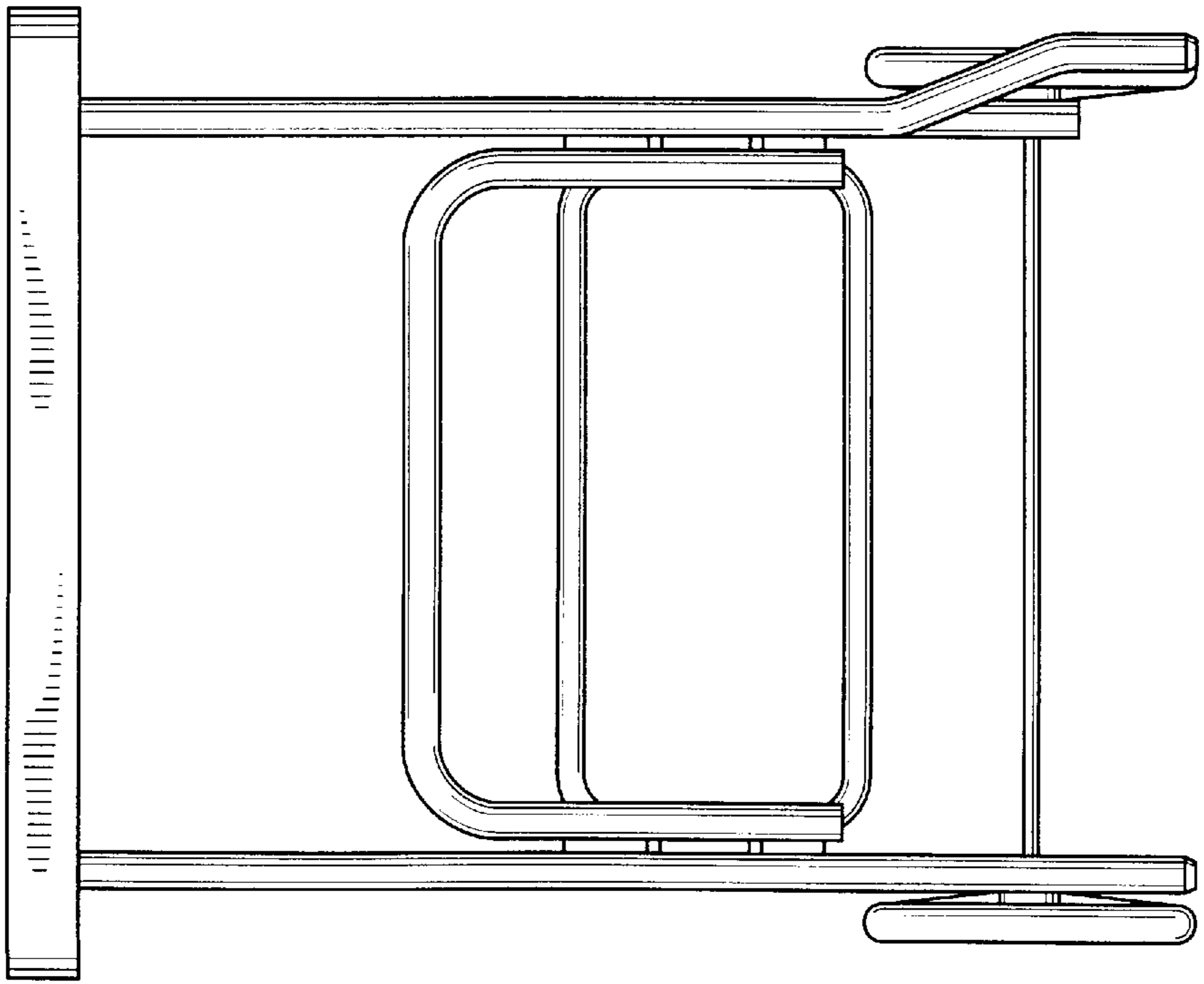


FIG. 6

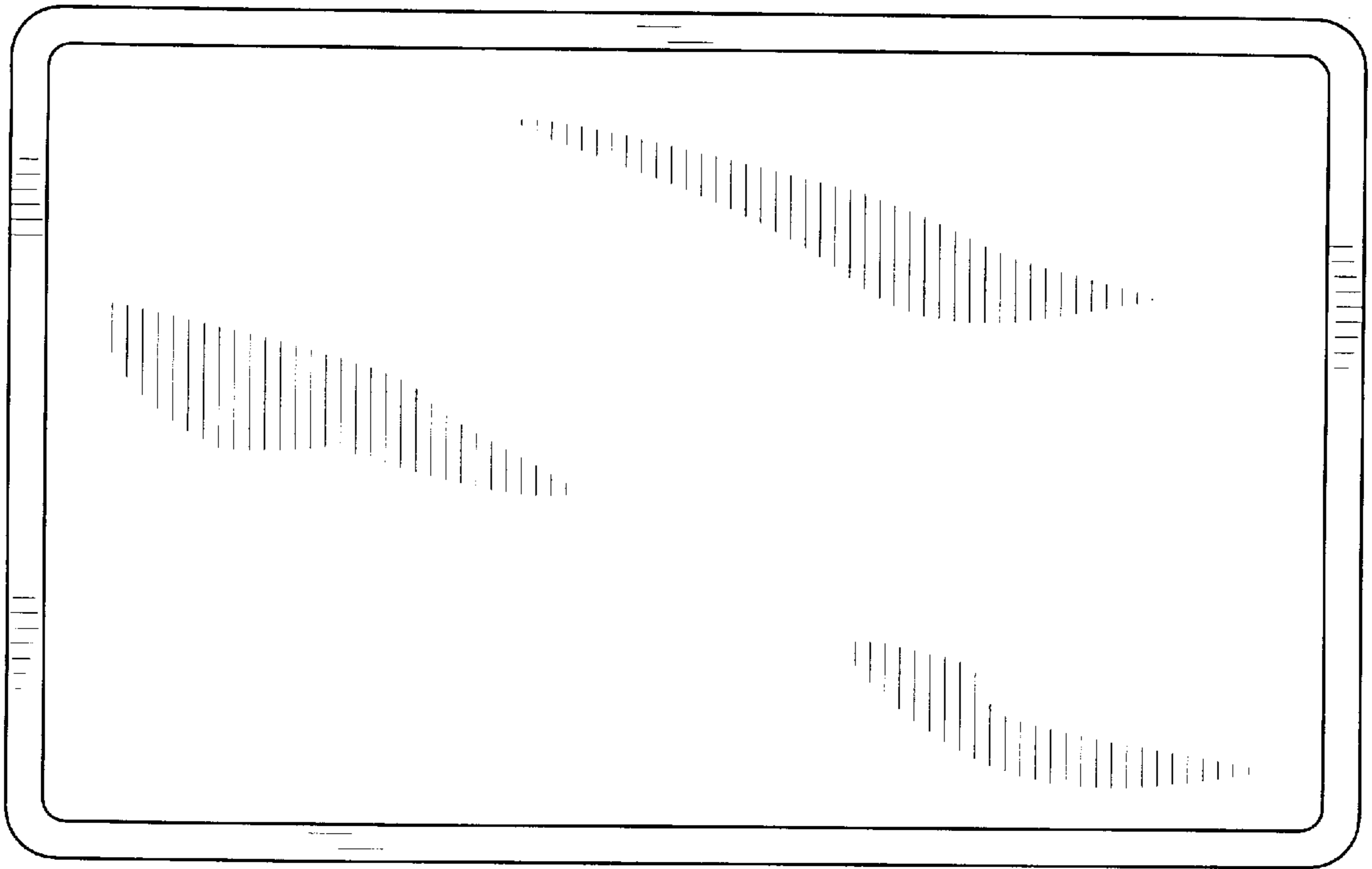


FIG. 7

