



US00D405578S

# United States Patent [19] Shumake

[11] Patent Number: **Des. 405,578**

[45] Date of Patent: **\*\*Feb. 9, 1999**

[54] **TELESCOPING MUSIC STAND CART**

[76] Inventor: **Clayton D. Shumake**, P.O. Box 548,  
Eddy, Tex. 76524-0548

[\*\*] Term: **14 Years**

[21] Appl. No.: **77,178**

[22] Filed: **Sep. 29, 1997**

[51] **LOC (6) Cl.** ..... **12-02**

[52] **U.S. Cl.** ..... **D34/17; D34/22**

[58] **Field of Search** ..... D34/12-27; 280/79.3,  
280/79.11, 79.2; 211/27, 60.1, 24

[56] **References Cited**

**U.S. PATENT DOCUMENTS**

D. 182,483	4/1958	Skinner .	
D. 211,034	5/1968	Mero .	
D. 230,968	3/1974	Anderson et al. .	
D. 268,140	3/1983	Tenner .....	D34/22
D. 359,827	6/1995	Biasini .....	D34/17
3,712,638	1/1973	Lipinsky .....	280/79.1

3,897,876	8/1975	Feldman .....	211/27
4,221,395	9/1980	Carte .....	280/79.3
4,315,633	2/1982	Boeddeker et al. ....	280/79.3
5,520,462	5/1996	Clark .....	383/37
5,595,951	3/1996	Biasini .....	211/13

*Primary Examiner*—Kay H. Chin

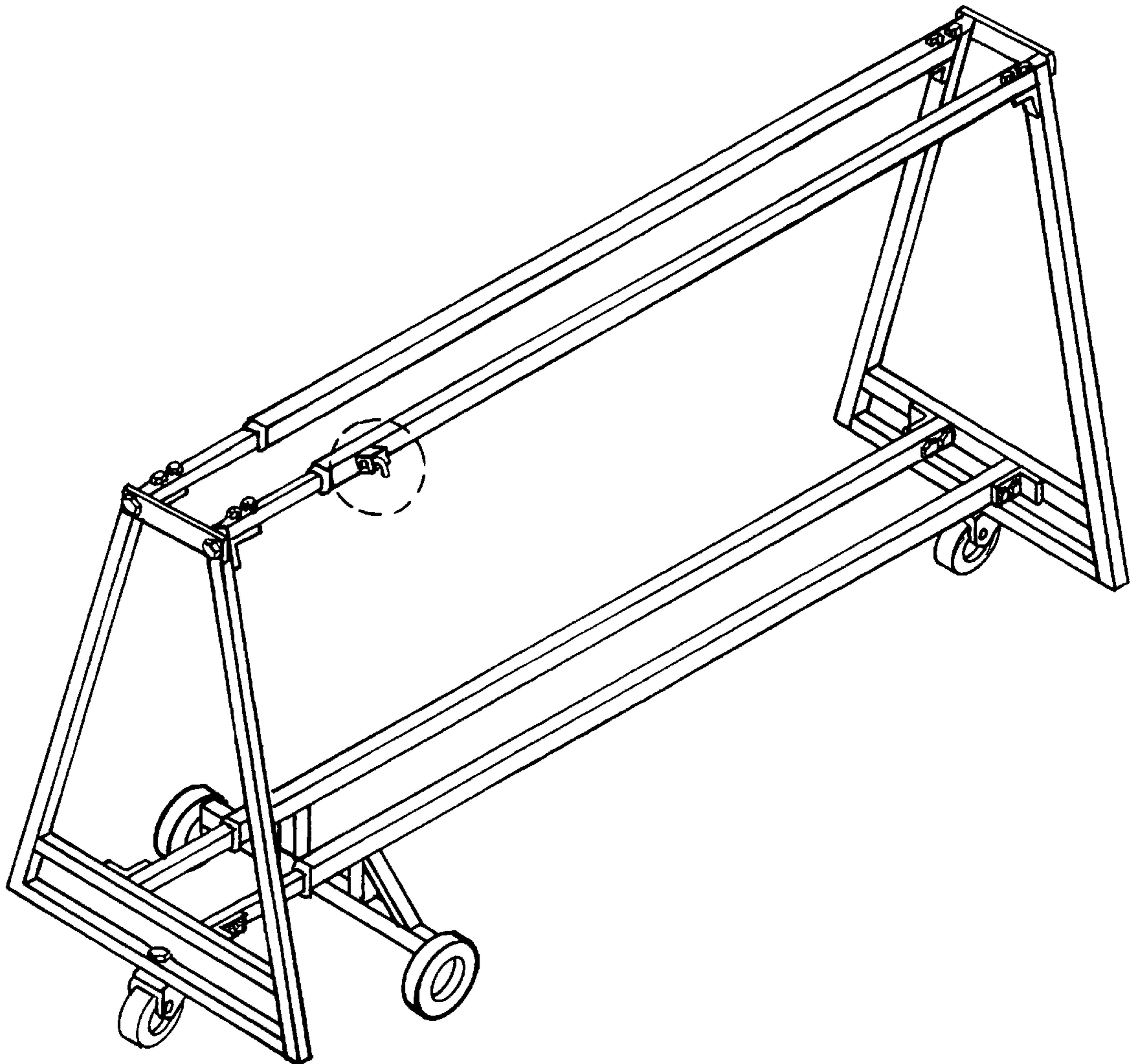
[57] **CLAIM**

The ornamental design for a telescoping music stand cart, as shown and described.

**DESCRIPTION**

FIG. 1 is a perspective view of a telescoping music stand cart showing my new design;  
 FIG. 2 is a perspective view thereof in partially disassembled condition;  
 FIG. 3 is a fragmentary portion of the side view on an enlarged scale of the area within the circled region 3 of FIG. 1; and,  
 FIG. 4 is a perspective view of the side frame of the telescoping music stand cart.

**1 Claim, 4 Drawing Sheets**



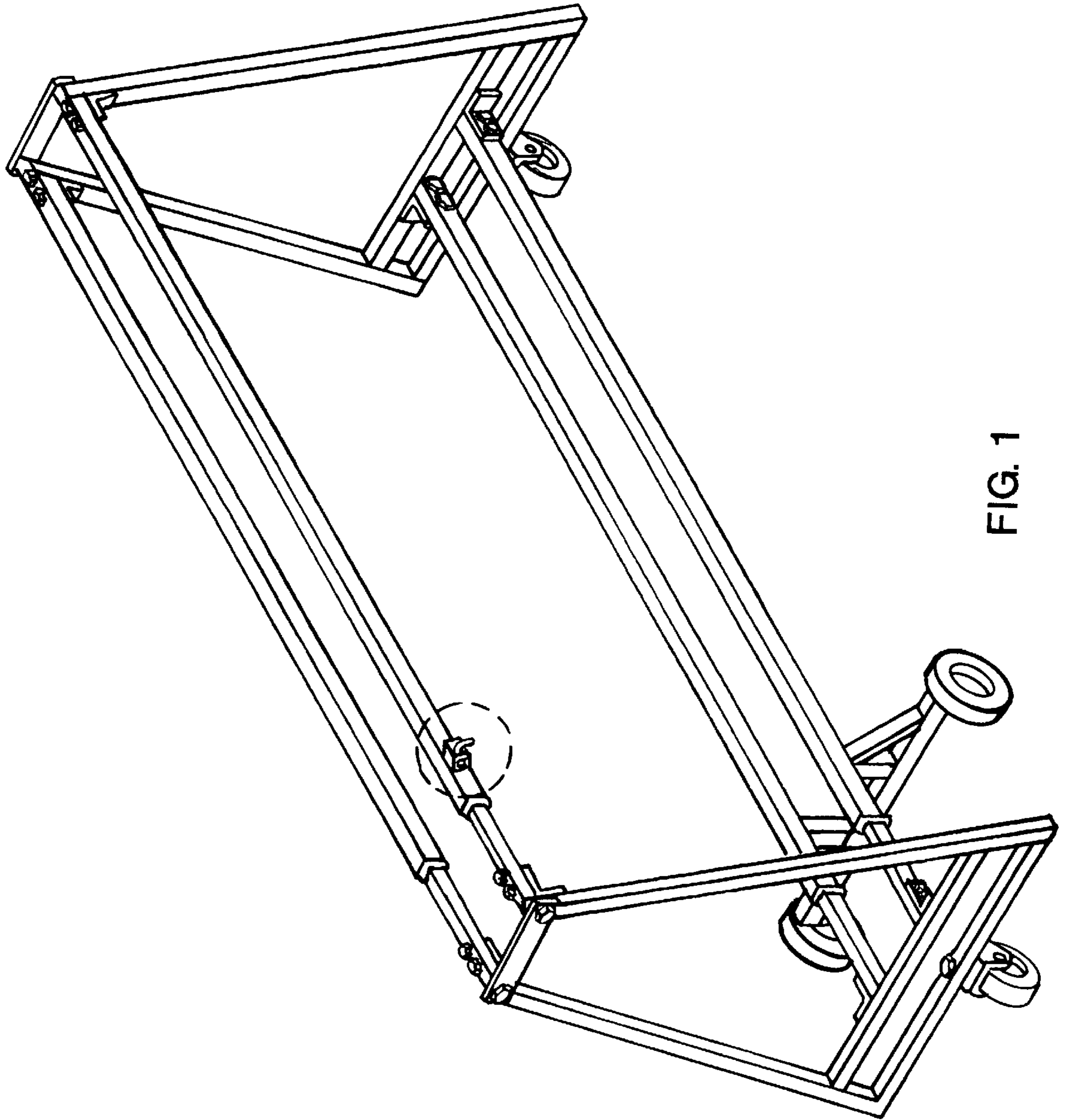


FIG. 1

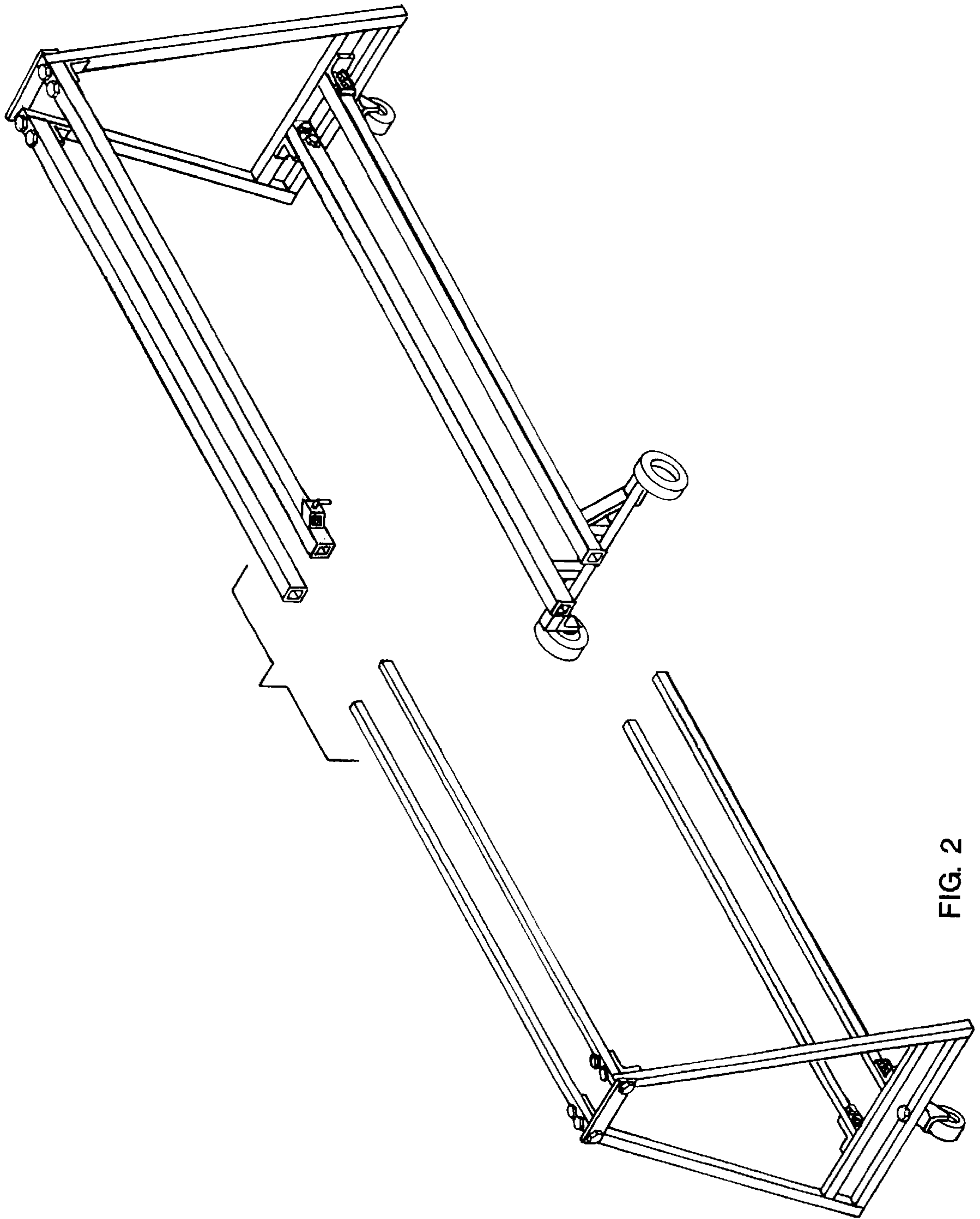


FIG. 2

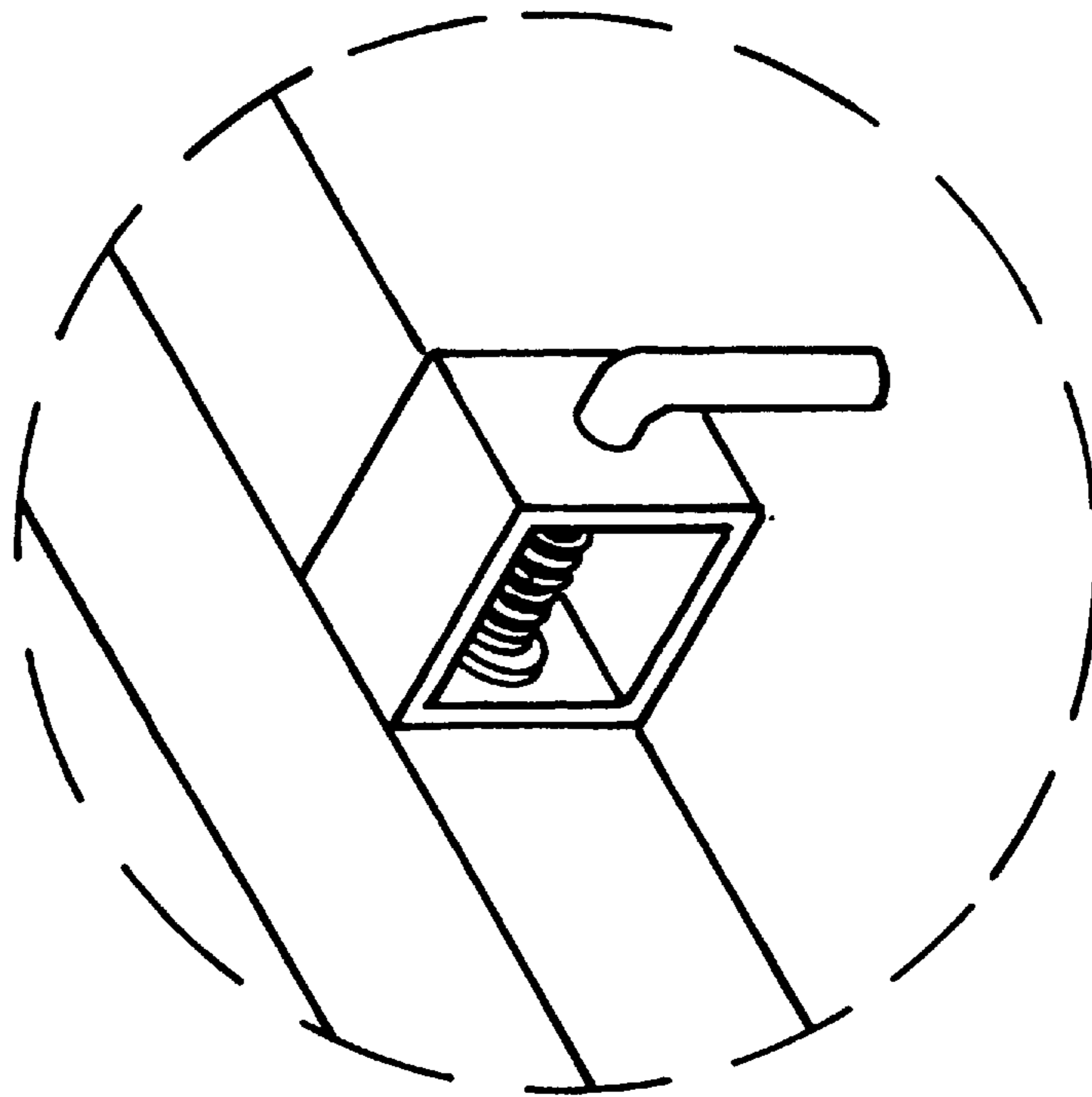


FIG. 3

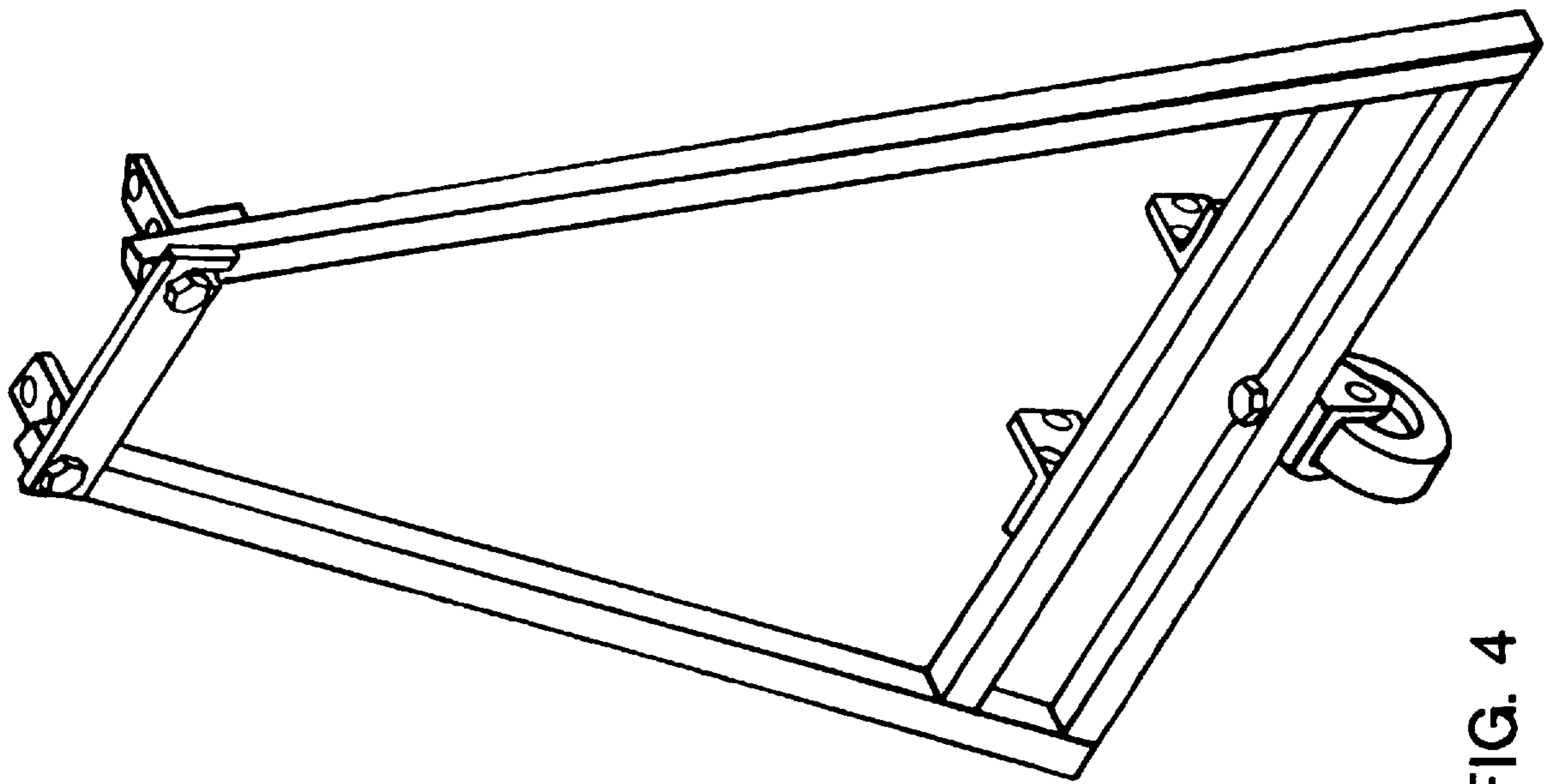


FIG. 4