



US00D405577S

**United States Patent** [19]  
**Schafer**

[11] **Patent Number: Des. 405,577**

[45] **Date of Patent: \*\*Feb. 9, 1999**

[54] **COMBINED HOLDER AND TRASH CONTAINER**

[76] Inventor: **Thomas C. Schafer**, 813 Heritage Ave., Terrytown, La. 70056

[\*\*] Term: **14 Years**

[21] Appl. No.: **82,925**

[22] Filed: **Jan. 16, 1998**

[51] **LOC (6) Cl.** ..... **09-09**

[52] **U.S. Cl.** ..... **D34/1**

[58] **Field of Search** ..... D34/1, 5, 6, 7; D9/305; 220/908, 909, 910, 911; 383/78, 79; 248/95, 97, 99

[56] **References Cited**

**U.S. PATENT DOCUMENTS**

D. 303,305	9/1989	Deacon	.....	D34/6
D. 316,646	5/1991	Cunningham	.....	D34/6
D. 349,987	8/1994	Barnett	.....	D34/1
5,362,153	11/1994	Lu	.....	220/404
5,524,762	6/1996	Shafran et al.	.....	248/95

*Primary Examiner*—Alan P. Douglas  
*Assistant Examiner*—Robin V. Taylor  
*Attorney, Agent, or Firm*—C. Emmett Pugh; Pugh/Associates

[57] **CLAIM**

The ornamental design for a combined holder and trash container, as shown and described.

**DESCRIPTION**

FIG. 1 is a front, perspective view of the holder part of the

currently preferred embodiment of the combined holder and trash container showing the new design, with the back side being a mirror image thereof shown separately for clarity of illustration;

FIG. 2 is a front, perspective view of the trash container part of the currently preferred embodiment of the combined holder and trash container showing the new design, with the back side being a mirror image thereof, with the exception of there not being a zippered strip at the bottom of the back-side shown separately for clarity of illustration;

FIG. 3 is a side view of the holder part of FIG. 1, taken from the perspective of lines 3—3 of FIG. 1, with the other side being a mirror image thereof;

FIG. 4 is a perspective view of the combined holder and container parts of the embodiment of FIGS. 1 & 2, with the back-side being a mirror image thereof, again with the exception of there not being a zippered strip at the bottom of the back-side;

FIG. 5 is a side view of the combined holder and container parts of FIG. 4, with the other side being a mirror image thereof;

FIG. 6 is a top or plan view of the combined holder and container parts of FIG. 4, with the other side being a mirror image thereof; it being noted that the bottom view is generally not seen and is essentially unornamented; and,

FIG. 7 is a close-up, detail view of the mesh material of the trash container part of FIG. 2.

**1 Claim, 2 Drawing Sheets**



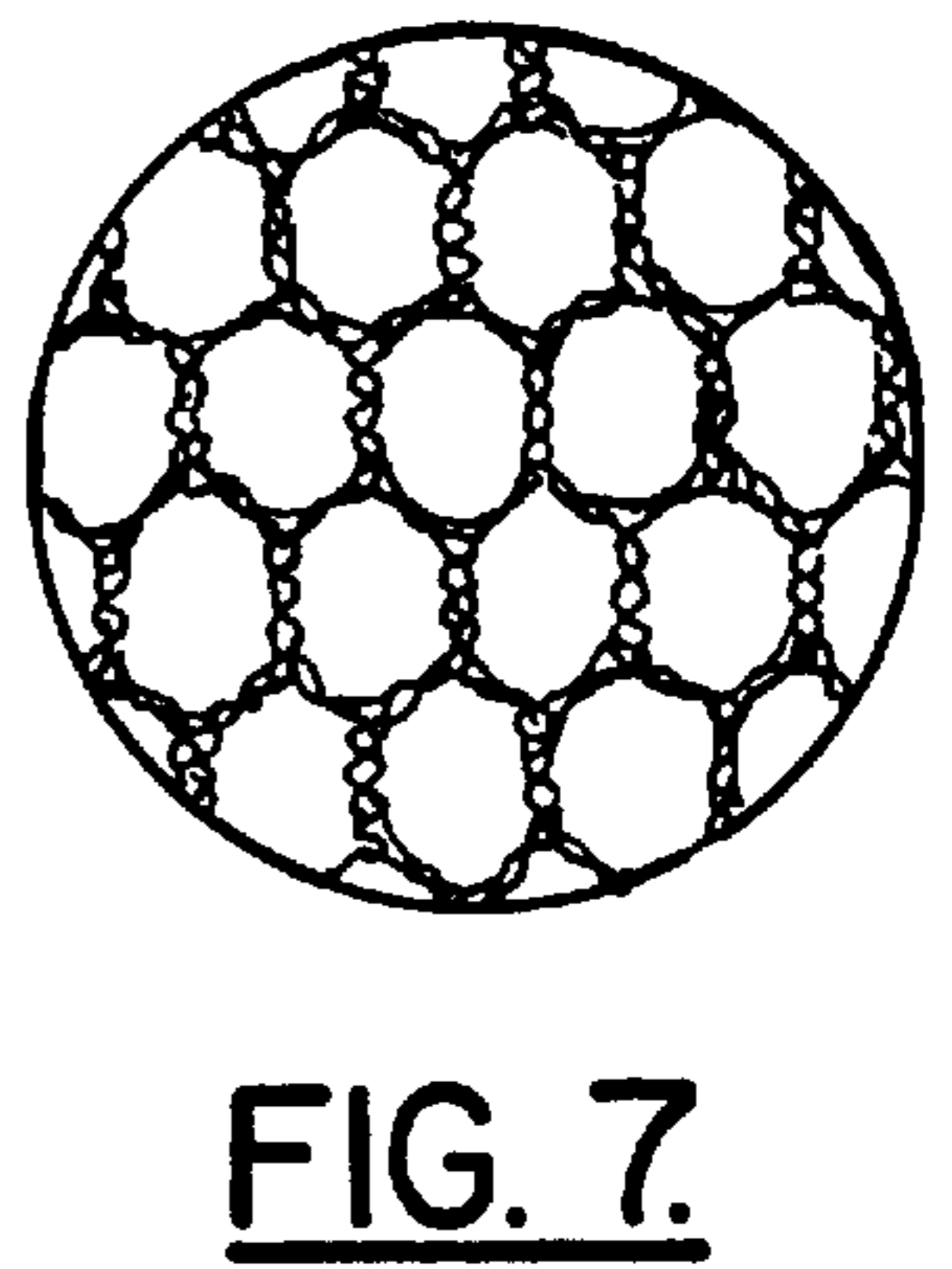
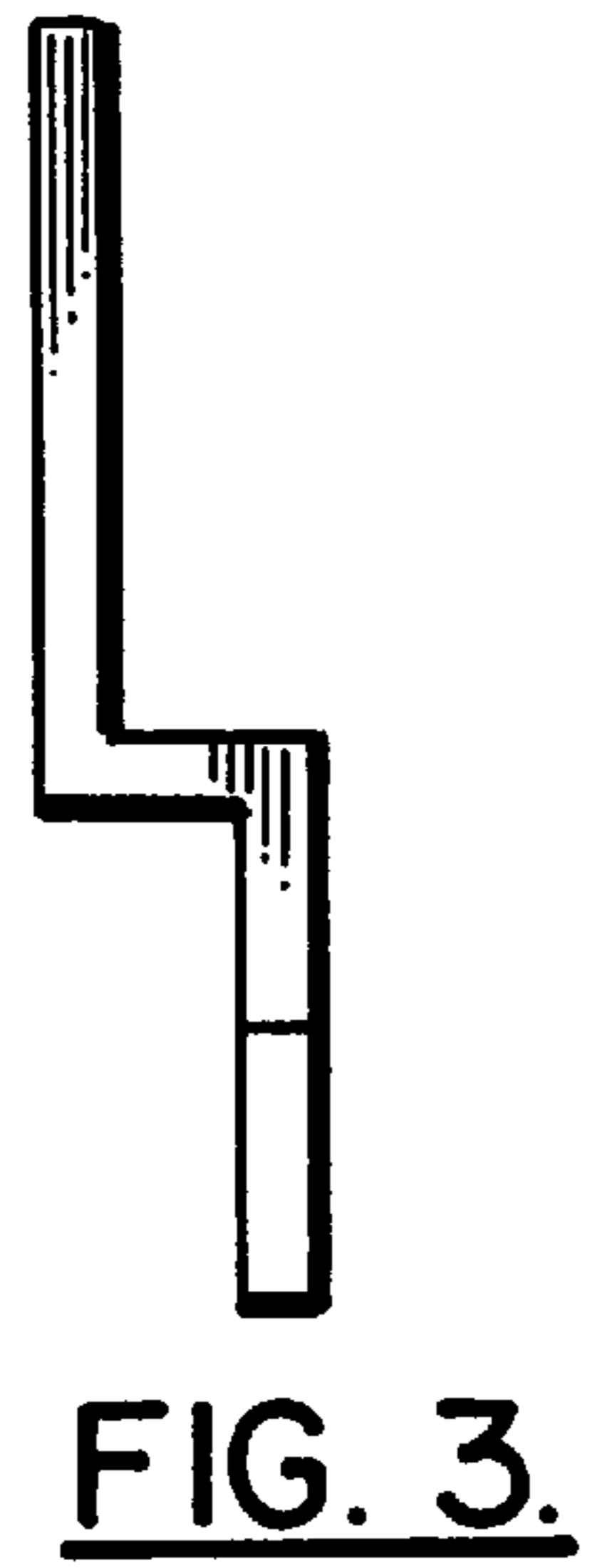
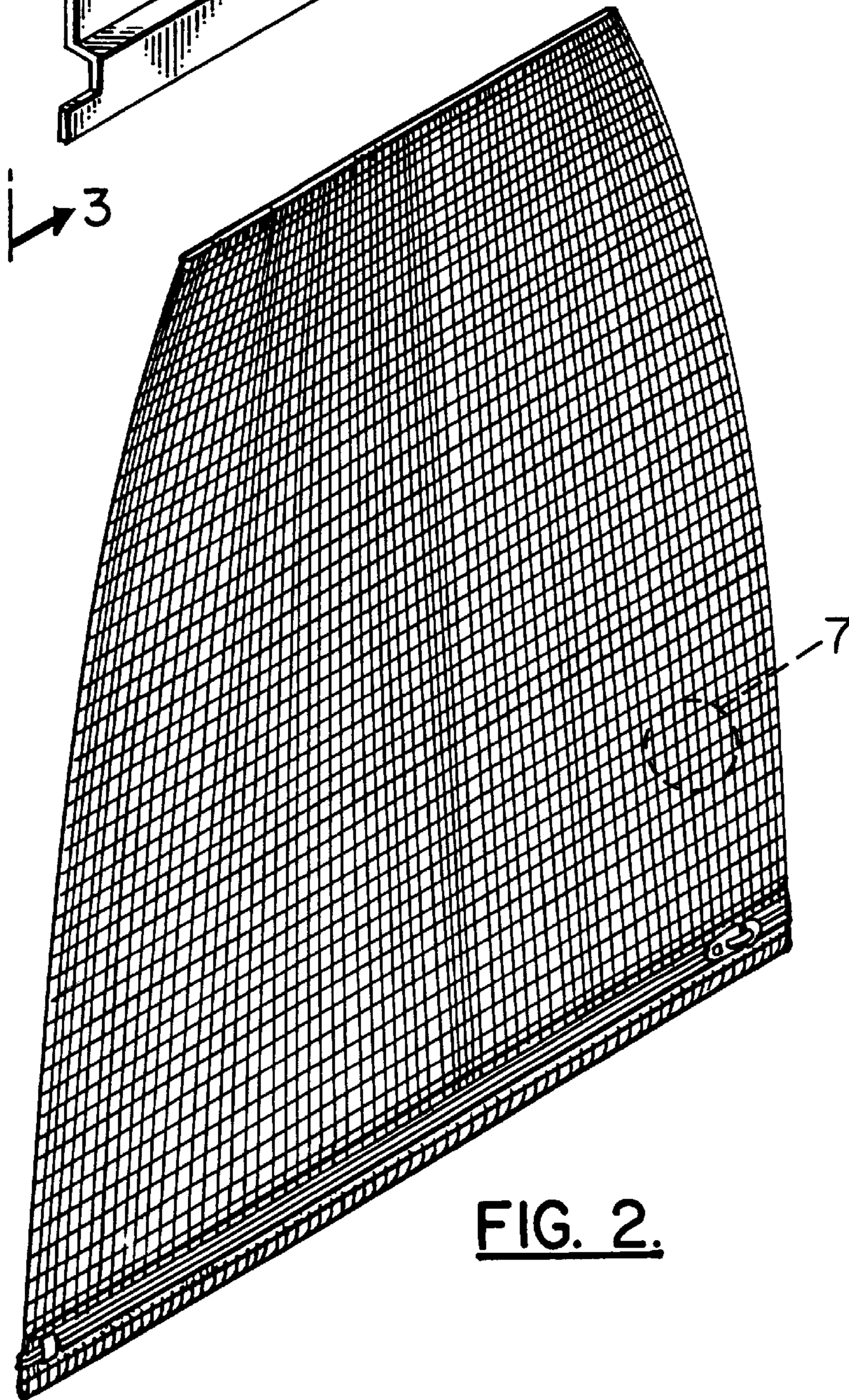
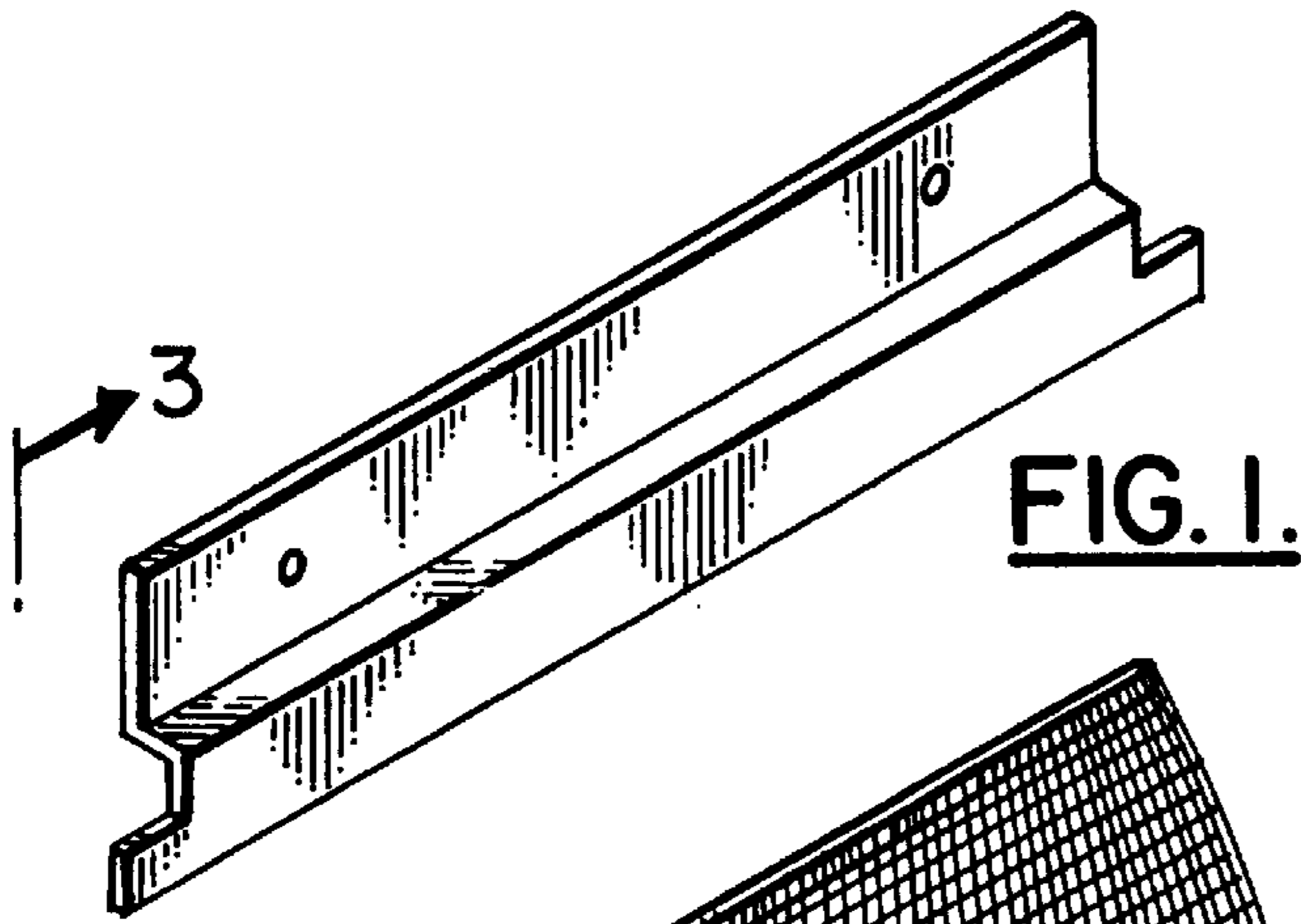






FIG. 4.

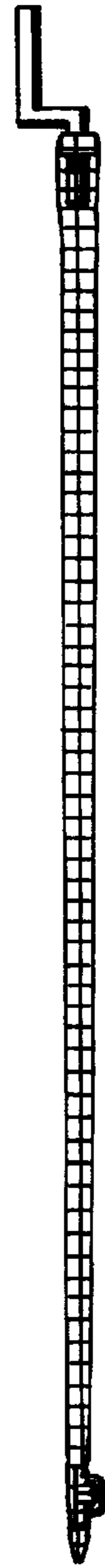


FIG. 5.



FIG. 6.