



US00D405574S

United States Patent [19] Riky

[11] **Patent Number: Des. 405,574**

[45] **Date of Patent: **Feb. 9, 1999**

[54] **PAINT BRUSH HOLDER**

[76] Inventor: **Theodore Riky**, 10-16 46th Ave., Long Island City, N.Y. 11101

[**] Term: **14 Years**

[21] Appl. No.: **83,927**

[22] Filed: **Feb. 18, 1998**

[51] **LOC (6) Cl. 07-07**

[52] **U.S. Cl. D32/54**

[58] **Field of Search D32/53, 53.1, D32/54; 15/248.1, 257.01; 220/697-702**

[56] **References Cited**

U.S. PATENT DOCUMENTS

- D. 139,569 11/1944 O'Brien .
- D. 270,771 9/1983 Brown .
- D. 300,970 5/1989 Walker .
- D. 320,346 10/1991 Wagner .
- D. 327,148 6/1992 Alessi .
- D. 341,686 11/1993 Panovic .
- D. 346,054 4/1994 Spangler .
- D. 346,055 4/1994 Arnao D32/54
- D. 358,914 5/1995 Masse et al. .
- 413,626 10/1889 Light D32/54
- 2,560,398 4/1947 Tims .
- 2,748,977 6/1956 Sarchet .

- 3,407,429 10/1968 Di Nardo .
- 3,688,943 9/1972 Brown .
- 4,275,818 6/1981 Church .
- 4,436,217 3/1984 Ritter .
- 5,076,519 12/1991 Panovic .
- 5,261,577 11/1993 Goldstein et al. 220/687
- 5,662,299 9/1997 Mejia .

FOREIGN PATENT DOCUMENTS

479051 5/1951 Canada .

Primary Examiner—Alan P. Douglas
Assistant Examiner—Robin V. Taylor
Attorney, Agent, or Firm—Collard & Roe, P.C.

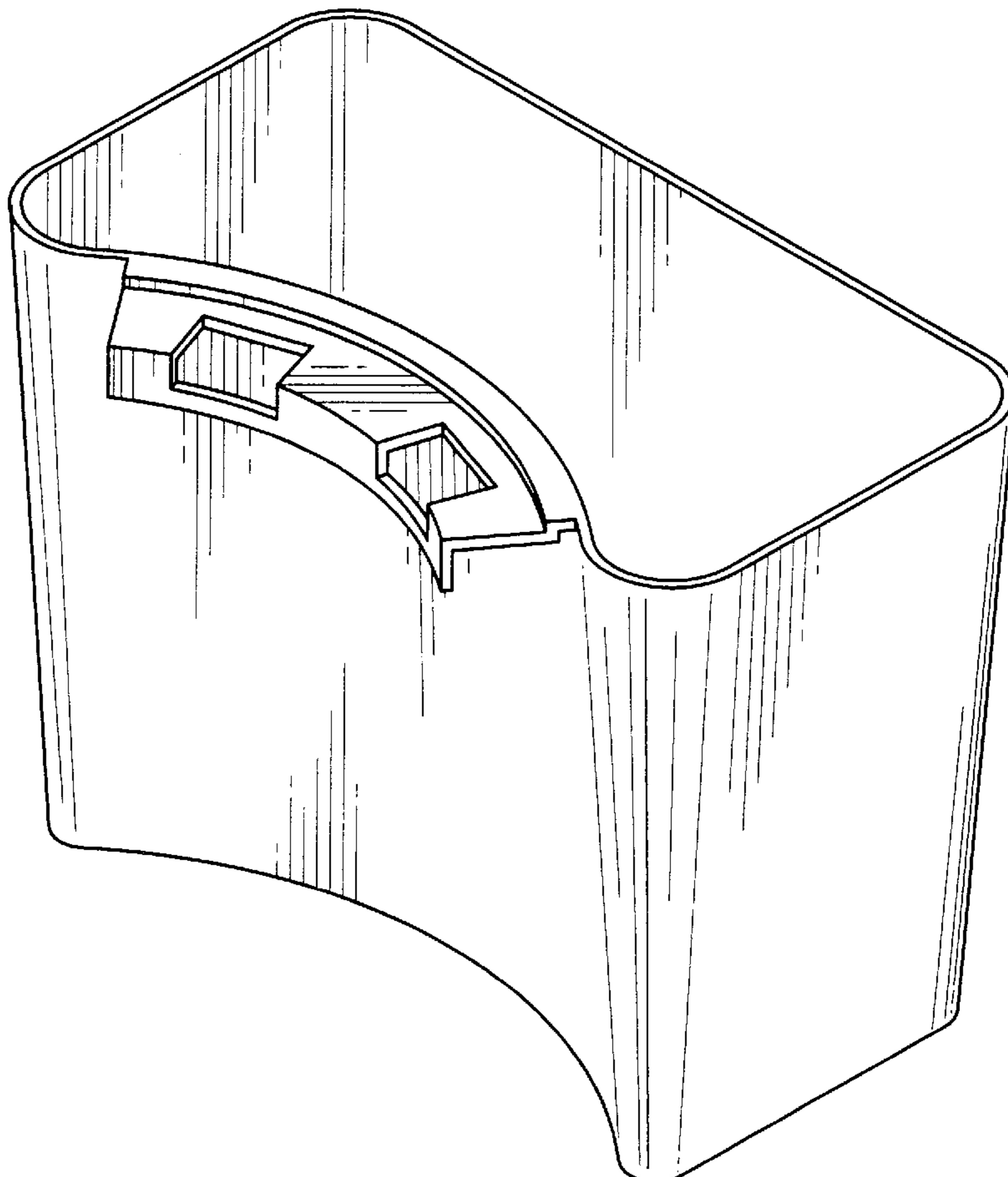
[57] **CLAIM**

The ornamental design for a paint brush holder, as shown and described.

DESCRIPTION

FIG. 1 is a perspective view of my design for a paint brush holder;
FIG. 2 is a top view thereof;
FIG. 3 is a front view thereof;
FIG. 4 is a rear view thereof;
FIG. 5 is a bottom view thereof; and,
FIG. 6 is a side view thereof, with both side views being identical.

1 Claim, 4 Drawing Sheets



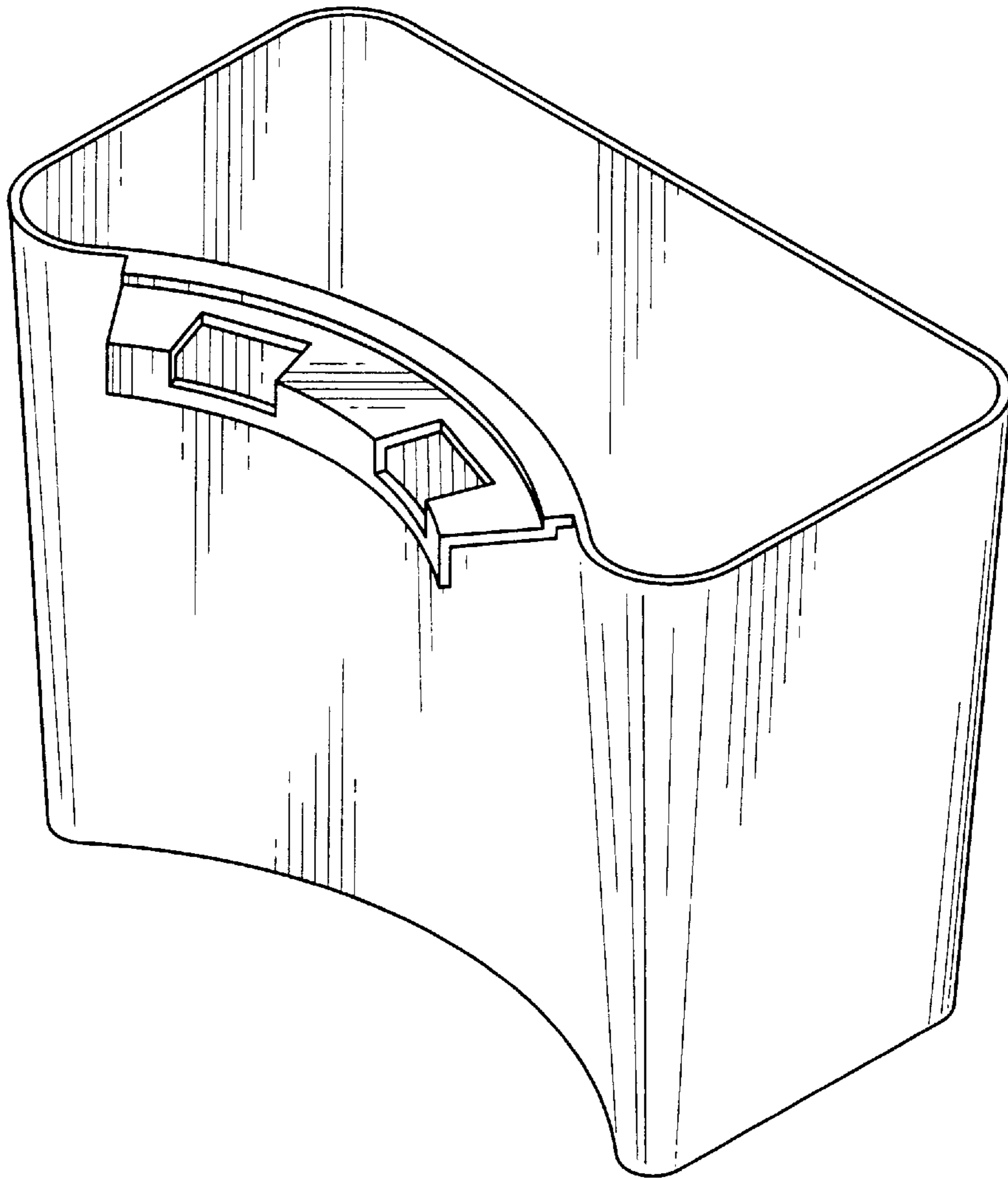


FIG. 1

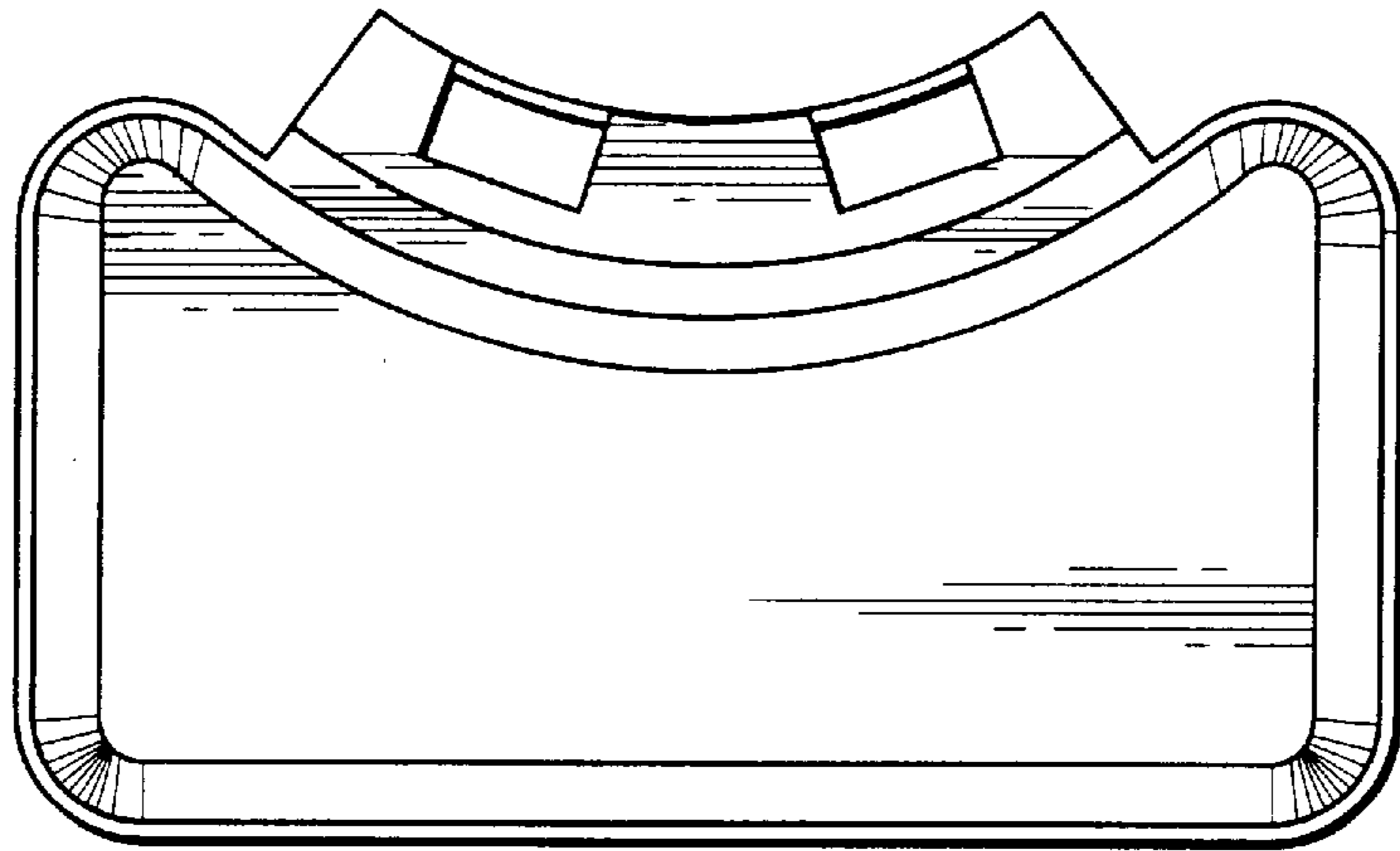


FIG. 2

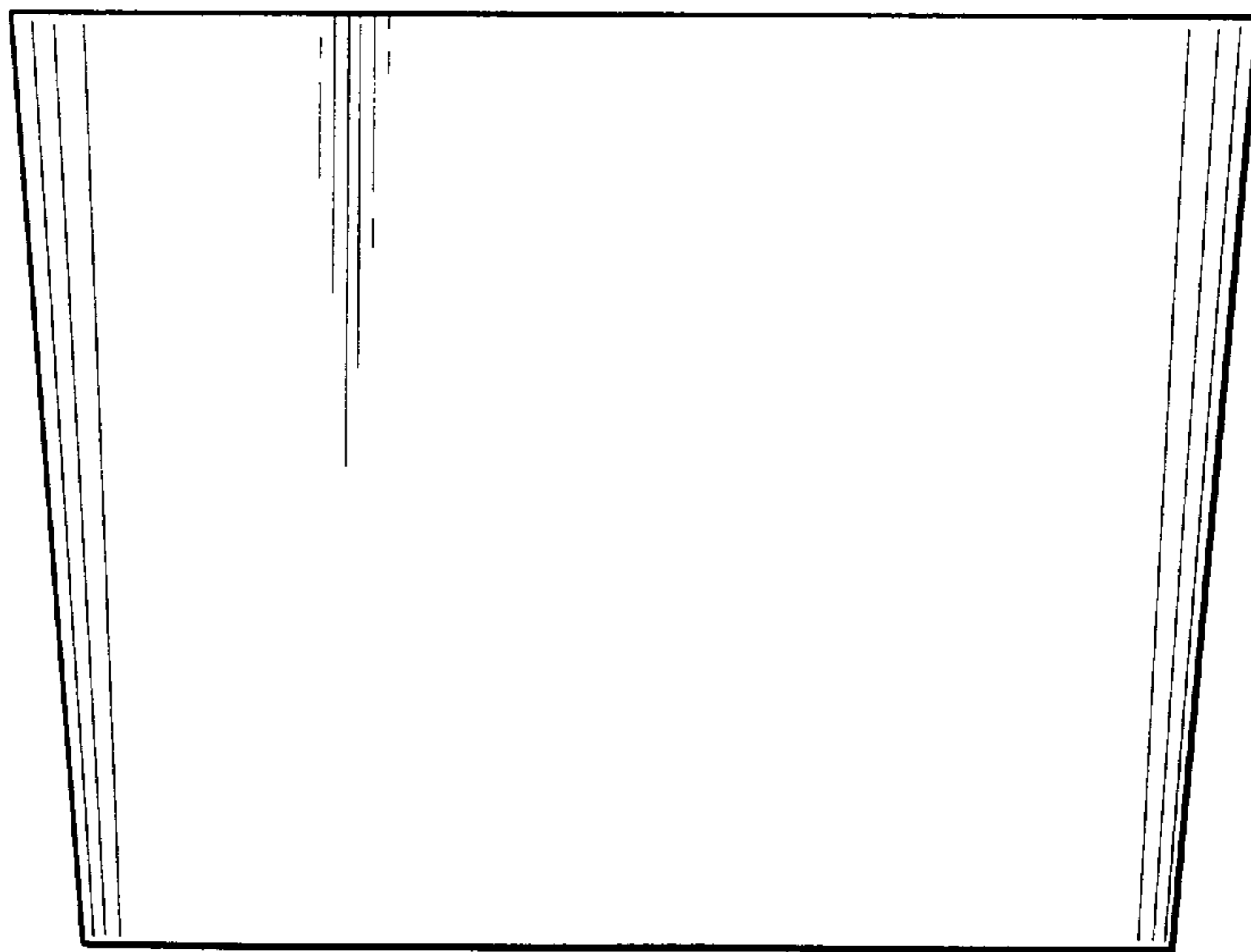


FIG. 3

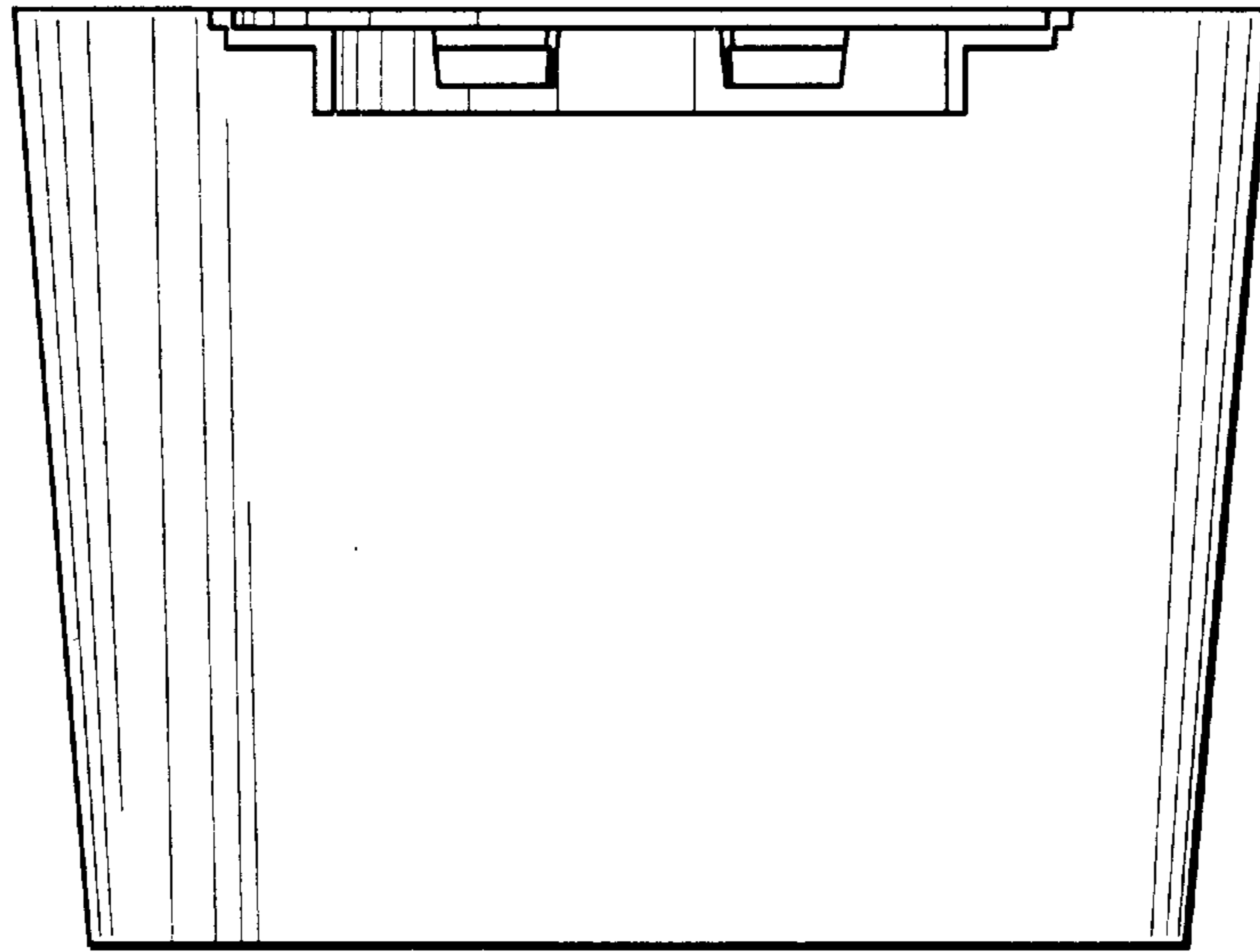


FIG. 4

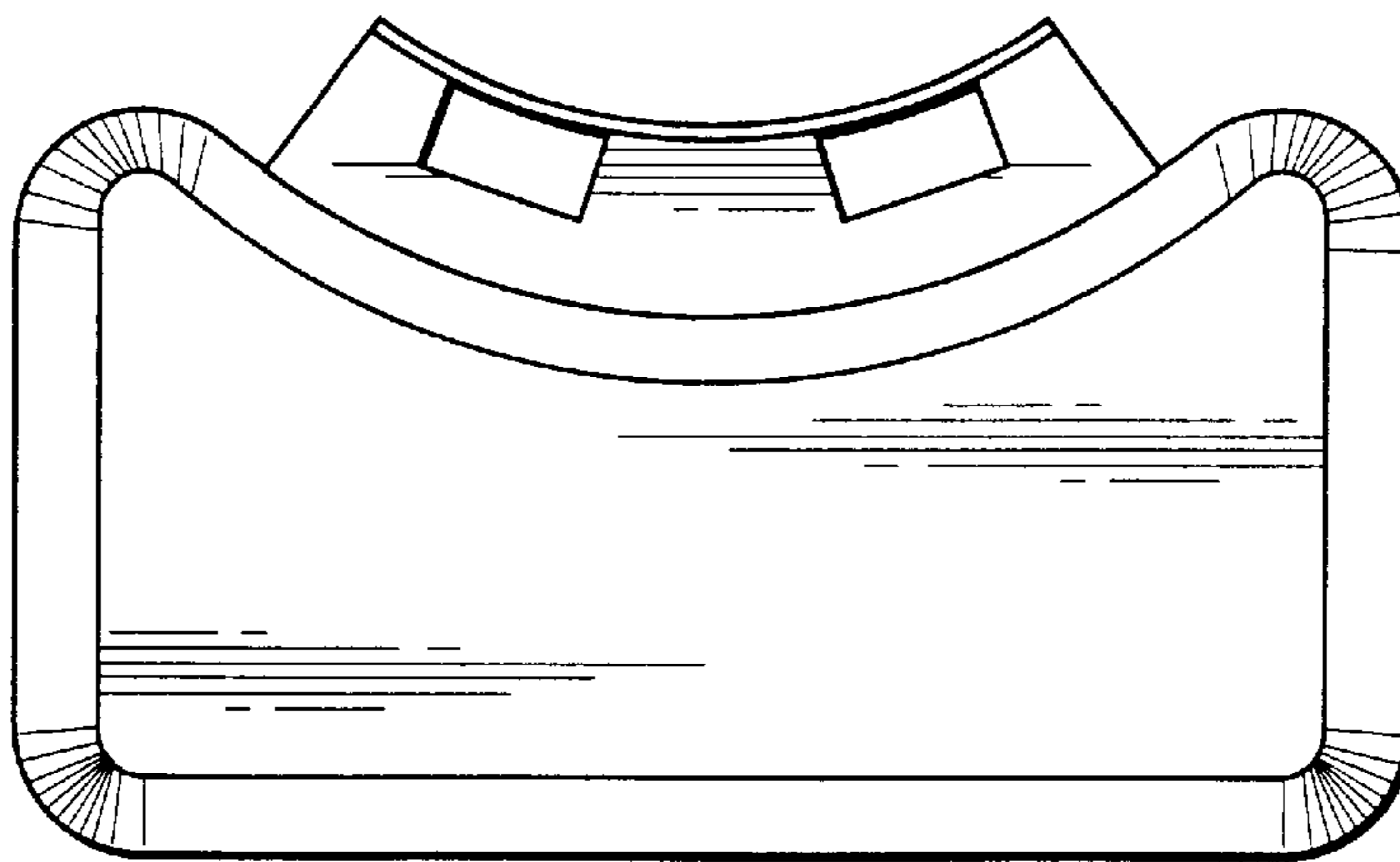


FIG. 5

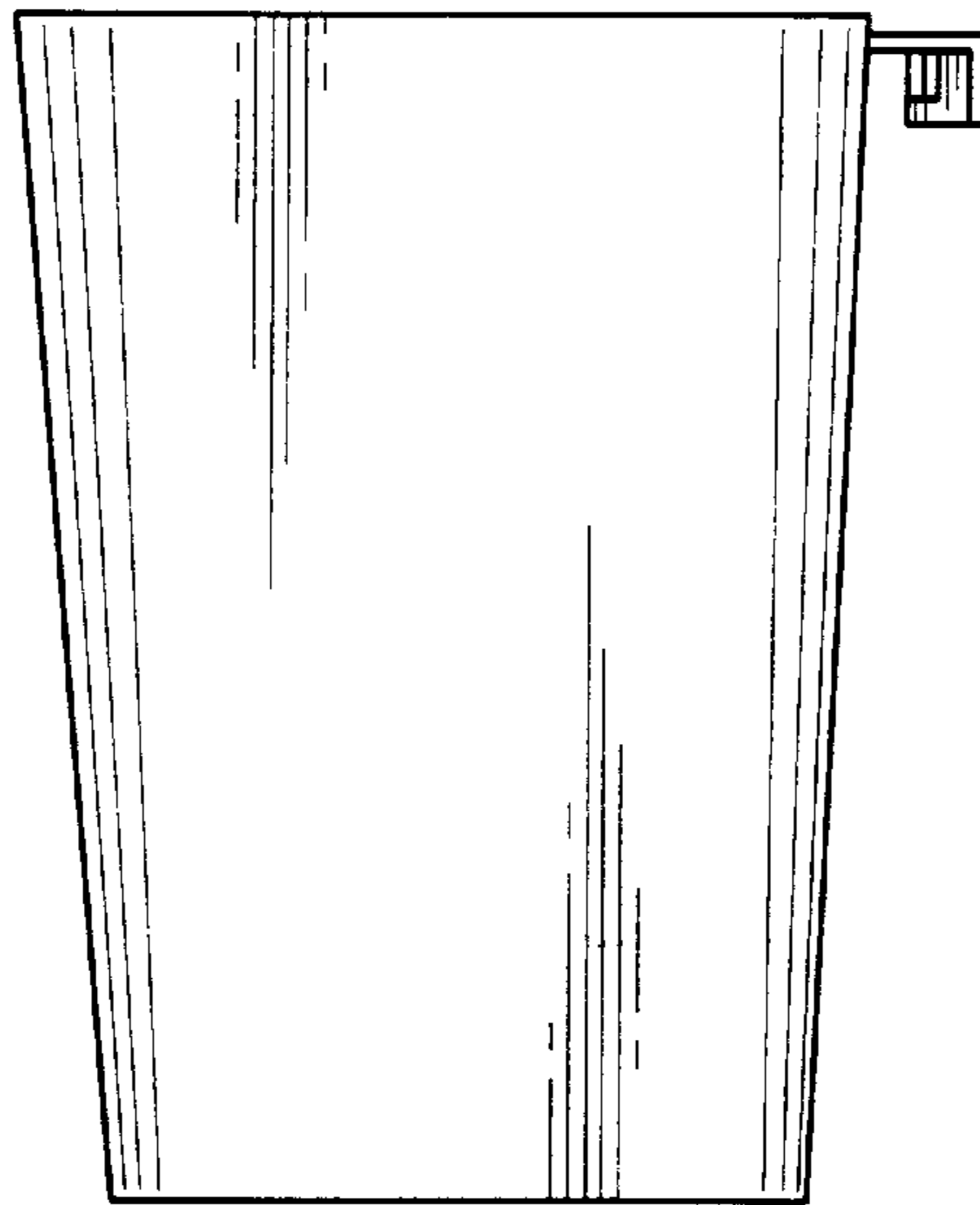


FIG. 6