



US00D405567S

# United States Patent [19]

Kent et al.

[11] Patent Number: **Des. 405,567**

[45] Date of Patent: **\*\*Feb. 9, 1999**

[54] **UPRIGHT VACUUM SWEEPER**

[76] Inventors: **Willie D. Kent**, 20802 SE. 20th St., Issaquah, Wash. 98027; **Steven R. Kent**, 23018 SE. 8th St., Redmond, Wash. 98053

[\*\*] Term: **14 Years**

[21] Appl. No.: **69,472**

[22] Filed: **Apr. 2, 1997**

[51] **LOC (6) Cl.** ..... **15-05**

[52] **U.S. Cl.** ..... **D32/22**

[58] **Field of Search** ..... D32/15-16, 21; 15/320-322, 323, 329, 335, 344, 347, 350, 352, 353, 361, 410, 412, 50.1, 50.3, 52.1, 79.1-79.2

D. 365,423 12/1995 Bores et al. .... D32/16  
5,121,592 6/1992 Jertson ..... 15/79.2  
5,657,509 5/1997 Trautloff et al. .... 15/321

**OTHER PUBLICATIONS**

Model K-6 Carpet Cleaner product advertisement sheet; Kent Investment Corporation, 1993.  
Model CR-11 Carpet Cleaner product advertisement sheet; Kent Investment Corporation, 1994.

*Primary Examiner*—Ruth McInroy  
*Attorney, Agent, or Firm*—Stoel Rives LLP

[57] **CLAIM**

We claim the design for an upright vacuum sweeper, as shown and described.

**DESCRIPTION**

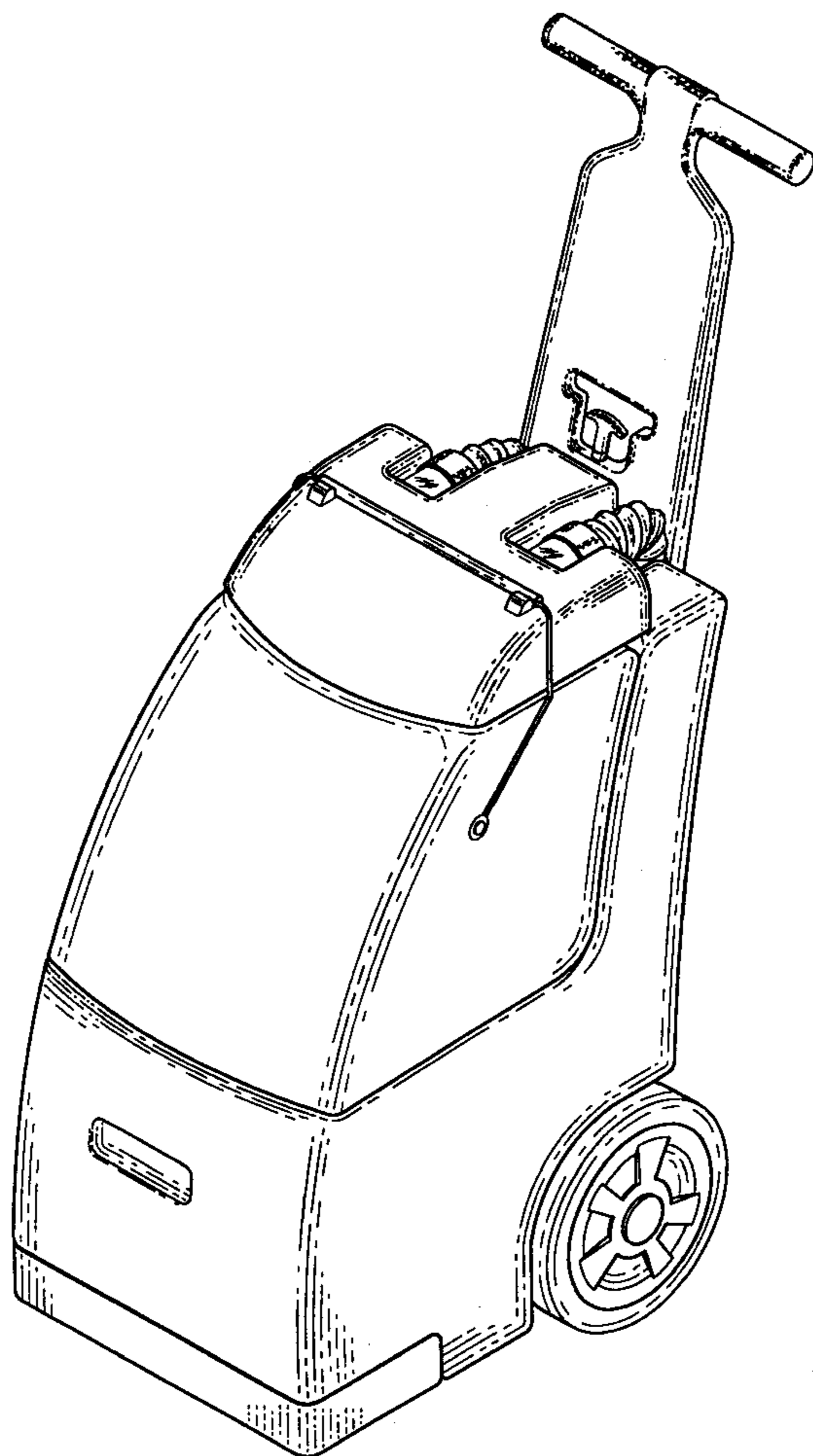
FIG. 1 is a frontal isometric view of an upright vacuum sweeper showing our new design; FIG. 2 is a left side elevational view thereof; FIG. 3 is a front elevational view thereof; FIG. 4 is a right side elevation view thereof; FIG. 5 is a rear elevational view thereof; FIG. 6 is a top plan view thereof; and, FIG. 7 is a bottom plan view thereof.

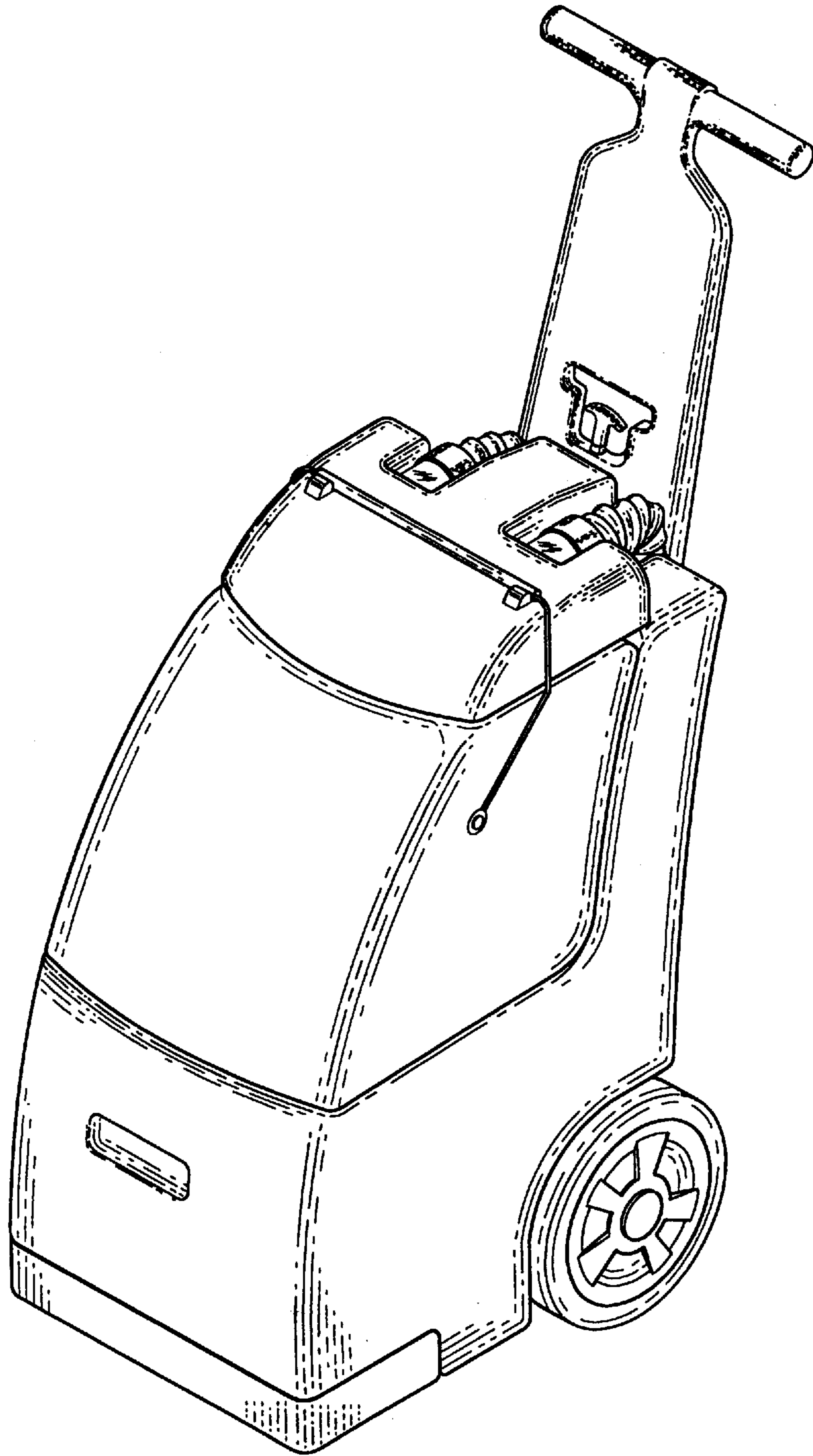
[56] **References Cited**

**U.S. PATENT DOCUMENTS**

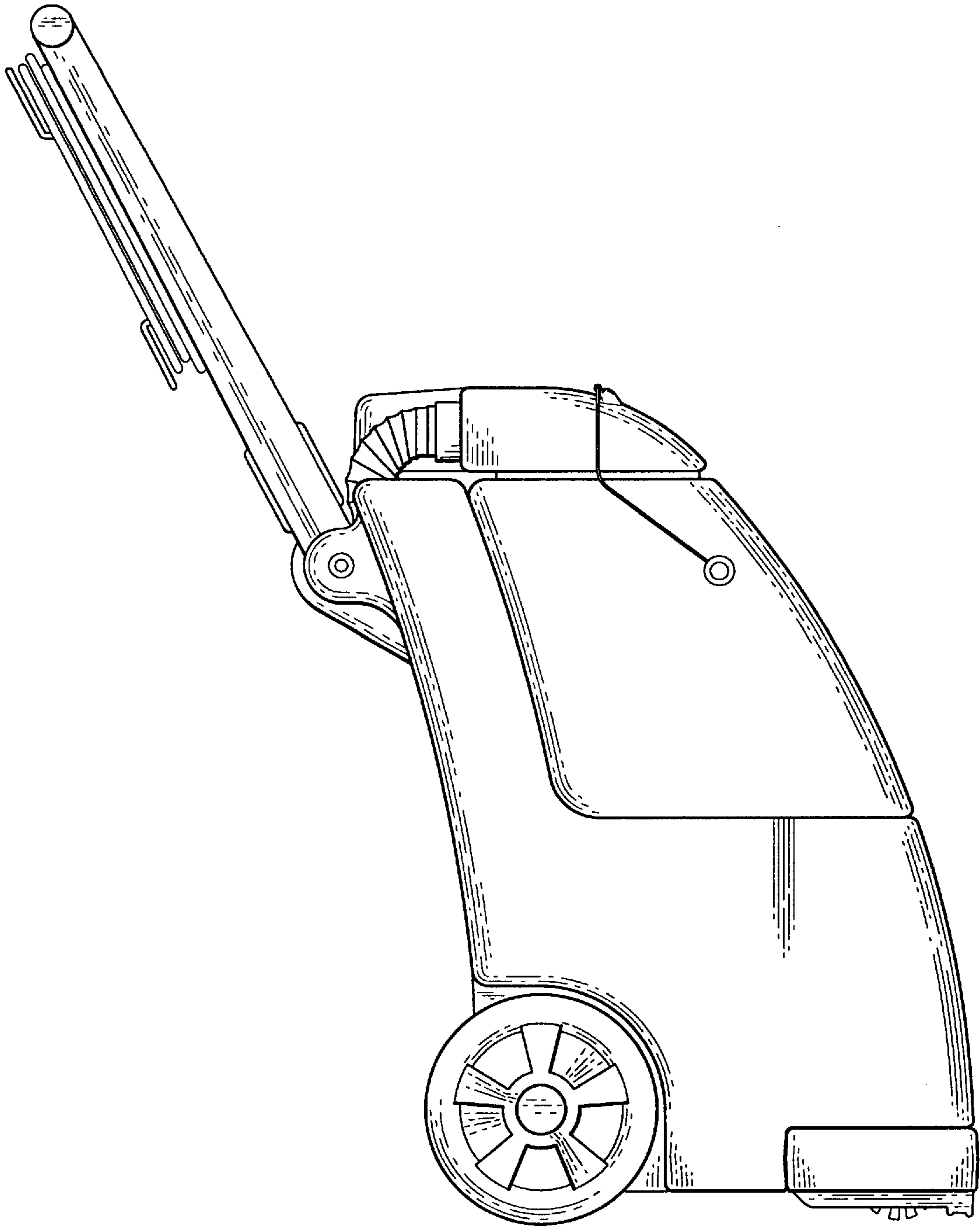
D. 298,479	11/1988	Jacobs et al. ....	D32/16
D. 337,184	7/1993	Bothun et al. ....	D32/21
D. 337,185	7/1993	Wulff .....	D32/21
D. 344,374	2/1994	Walff .....	D32/21
D. 345,034	3/1994	Fitzwater .....	D32/21
D. 364,947	12/1995	Kent et al. ....	D32/22

**1 Claim, 7 Drawing Sheets**

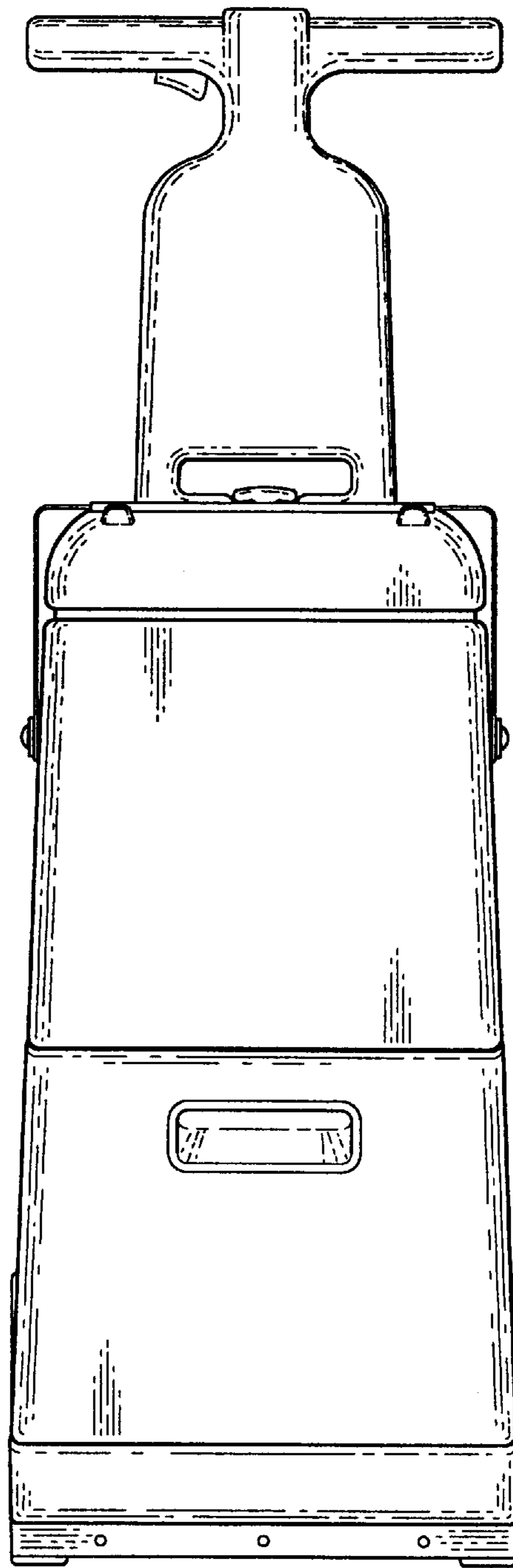




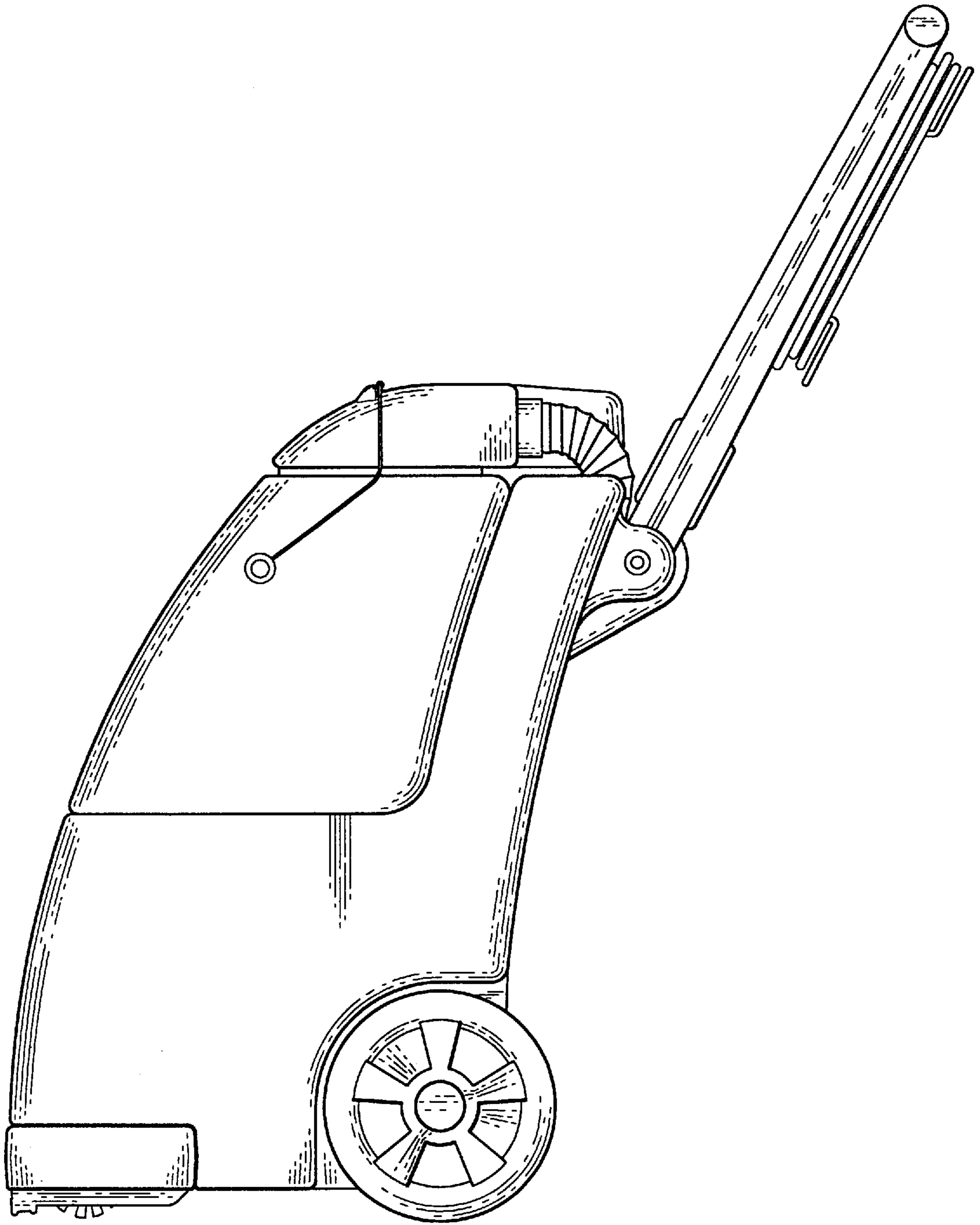
*Fig. 1*



*Fig. 2*

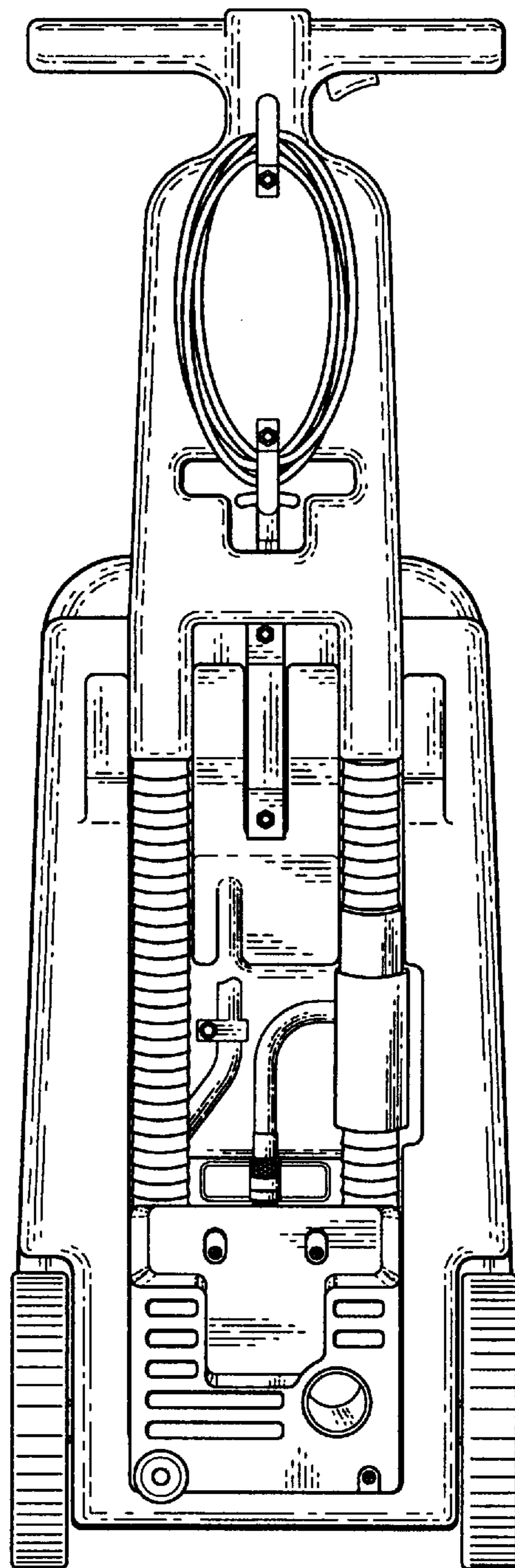


*Fig. 3*

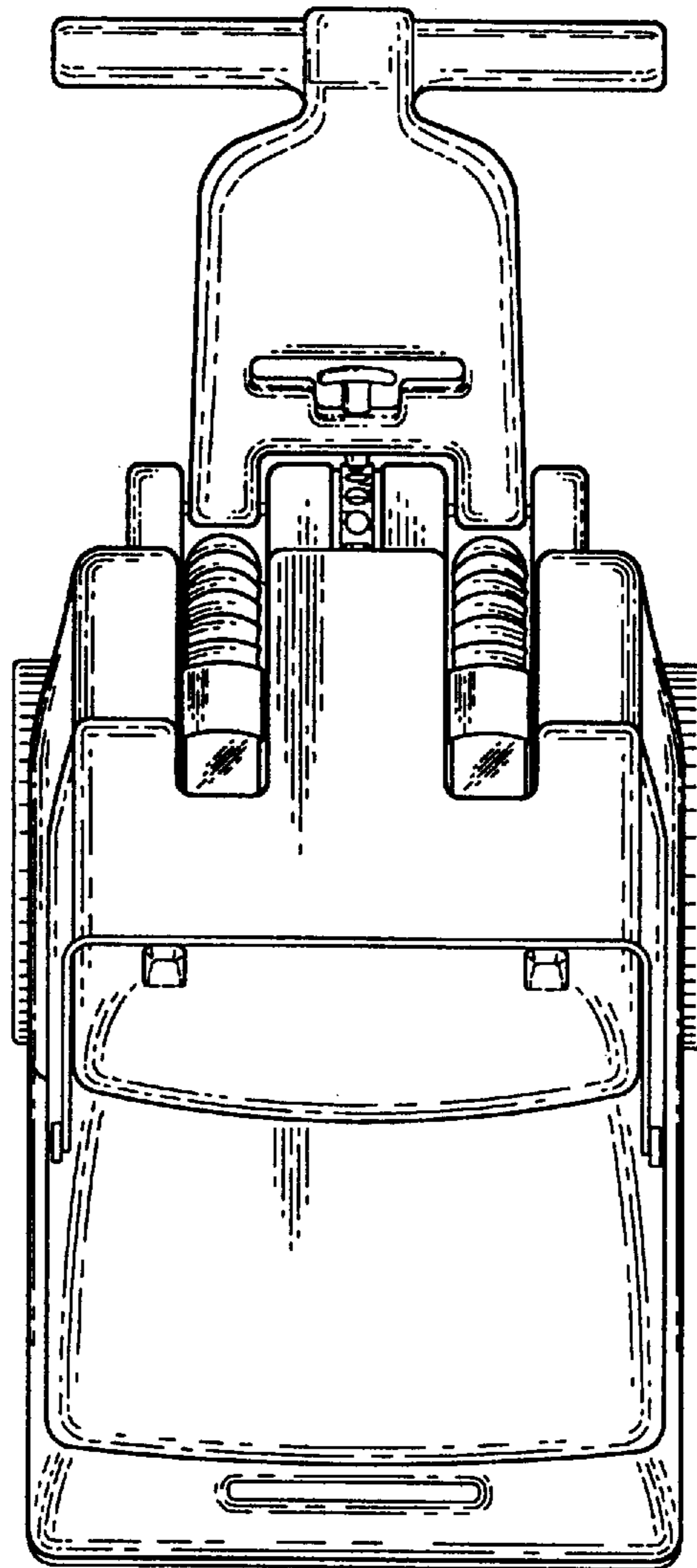


*Fig. 4*

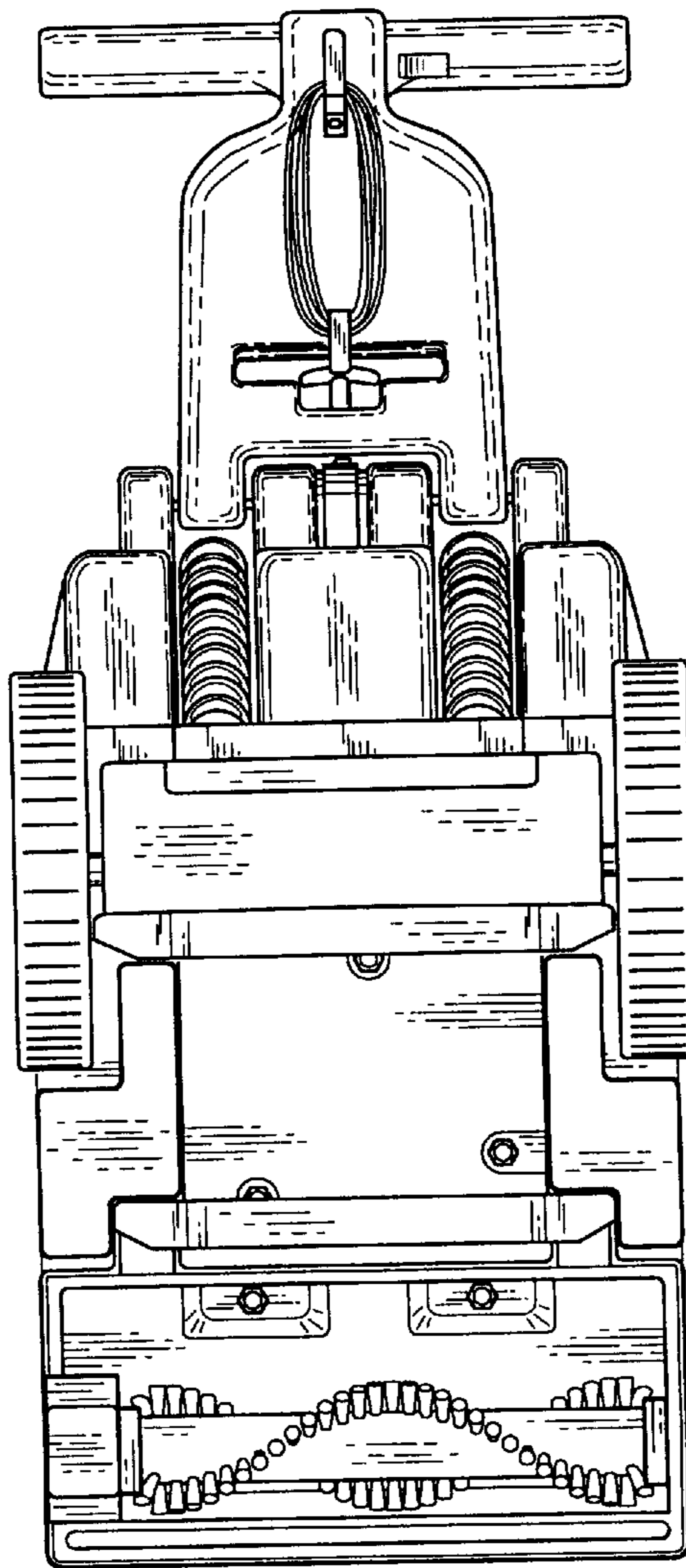




*Fig. 5*



*Fig. 6*



*Fig. 7*