



US00D405566S

United States Patent [19]

Webster et al.

[11] **Patent Number:** **Des. 405,566**

[45] **Date of Patent:** ****Feb. 9, 1999**

[54] **COMBINED BLOWER AND VACUUM**

[75] Inventors: **Craig Webster**, Newcastle-Upon-Tyne;
John Sadler, Darlington, both of
United Kingdom

[73] Assignee: **Black & Decker Inc.**, Newark, Del.

[**] Term: **14 Years**

[21] Appl. No.: **69,456**

[22] Filed: **May 2, 1997**

[51] **LOC (6) Cl.** **15-05**

[52] **U.S. Cl.** **D32/15**

[58] **Field of Search** D32/1, 15, 17,
D32/18; 15/303, 344, 345, 405, 409

[56] **References Cited**

U.S. PATENT DOCUMENTS

- D. 279,319 6/1985 McCloskey et al. D32/15
- D. 297,870 9/1988 Kiyooka et al. D32/15
- D. 349,983 8/1994 Tuggle et al. D32/15
- D. 352,579 11/1994 Baker et al. D32/15

- D. 358,912 5/1995 Baker et al. D32/15
- D. 388,561 12/1997 Tuggle et al. D32/15
- 5,673,457 10/1997 Webster et al. 15/330

Primary Examiner—Ruth McInroy
Attorney, Agent, or Firm—Charles E. Yocum; Kerry H. Owens

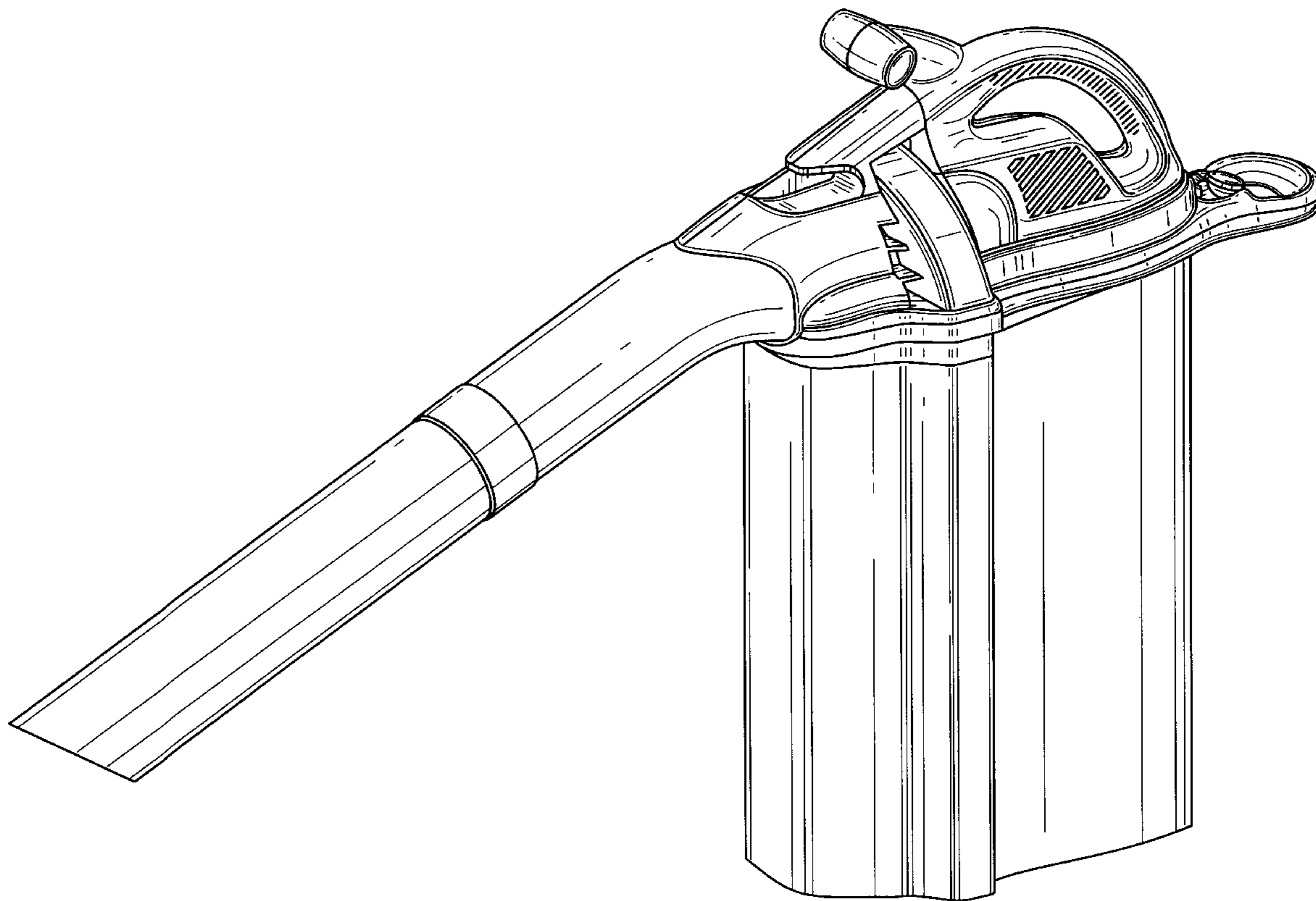
[57] **CLAIM**

An ornamental design for a combined blower and vacuum, as shown and described.

DESCRIPTION

FIG. 1 is a front perspective view of a combined blower and vacuum showing our new design;
FIG. 2 is a rear perspective view thereof;
FIG. 3 is a side elevational view thereof;
FIG. 4 is a side elevational view of the opposite side of FIG. 3;
FIG. 5 is a front elevational view thereof;
FIG. 6 is a rear elevational view thereof;
FIG. 7 is a top plan view thereof; and,
FIG. 8 is a bottom plan view thereof.

1 Claim, 8 Drawing Sheets



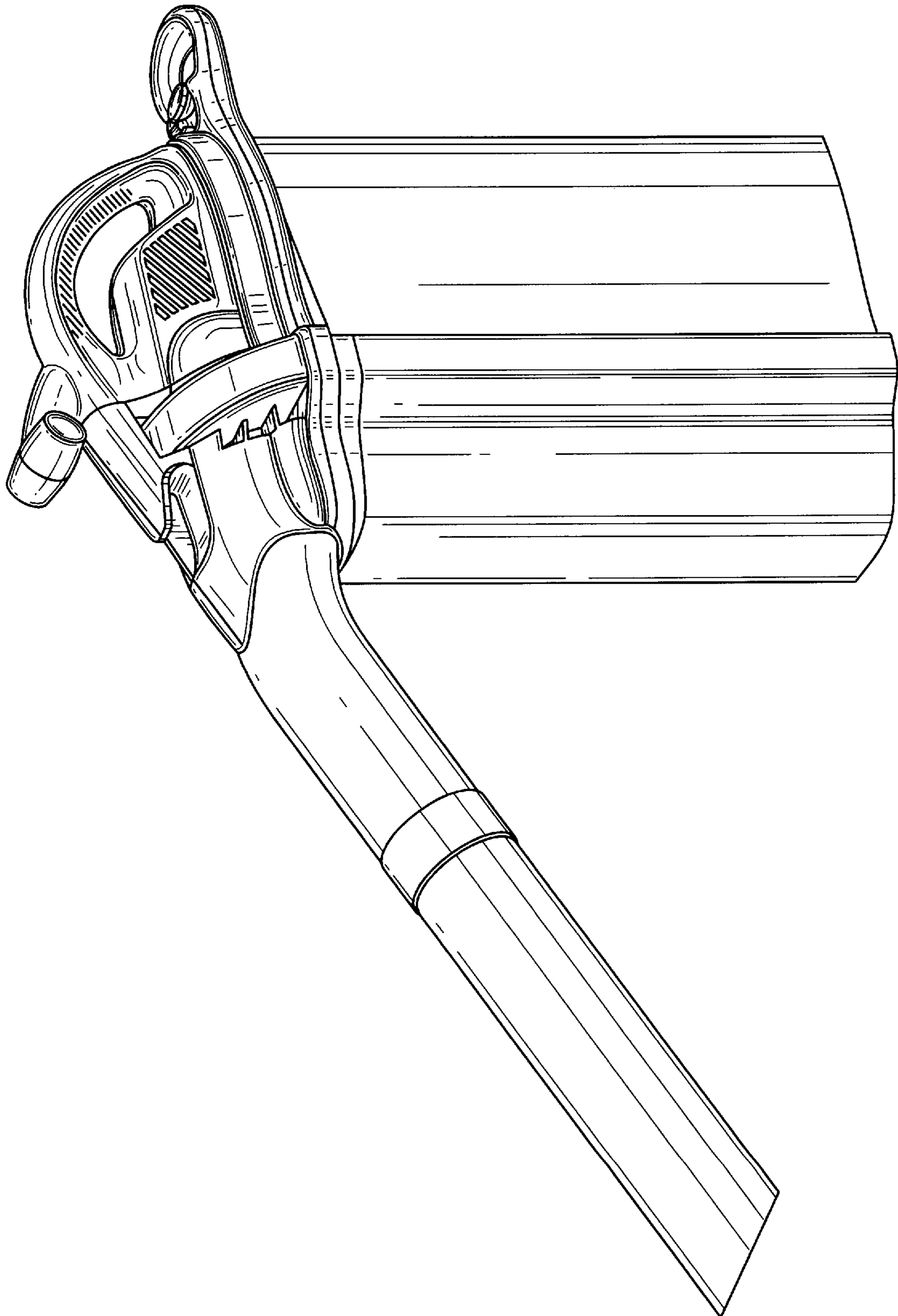


FIG. 1

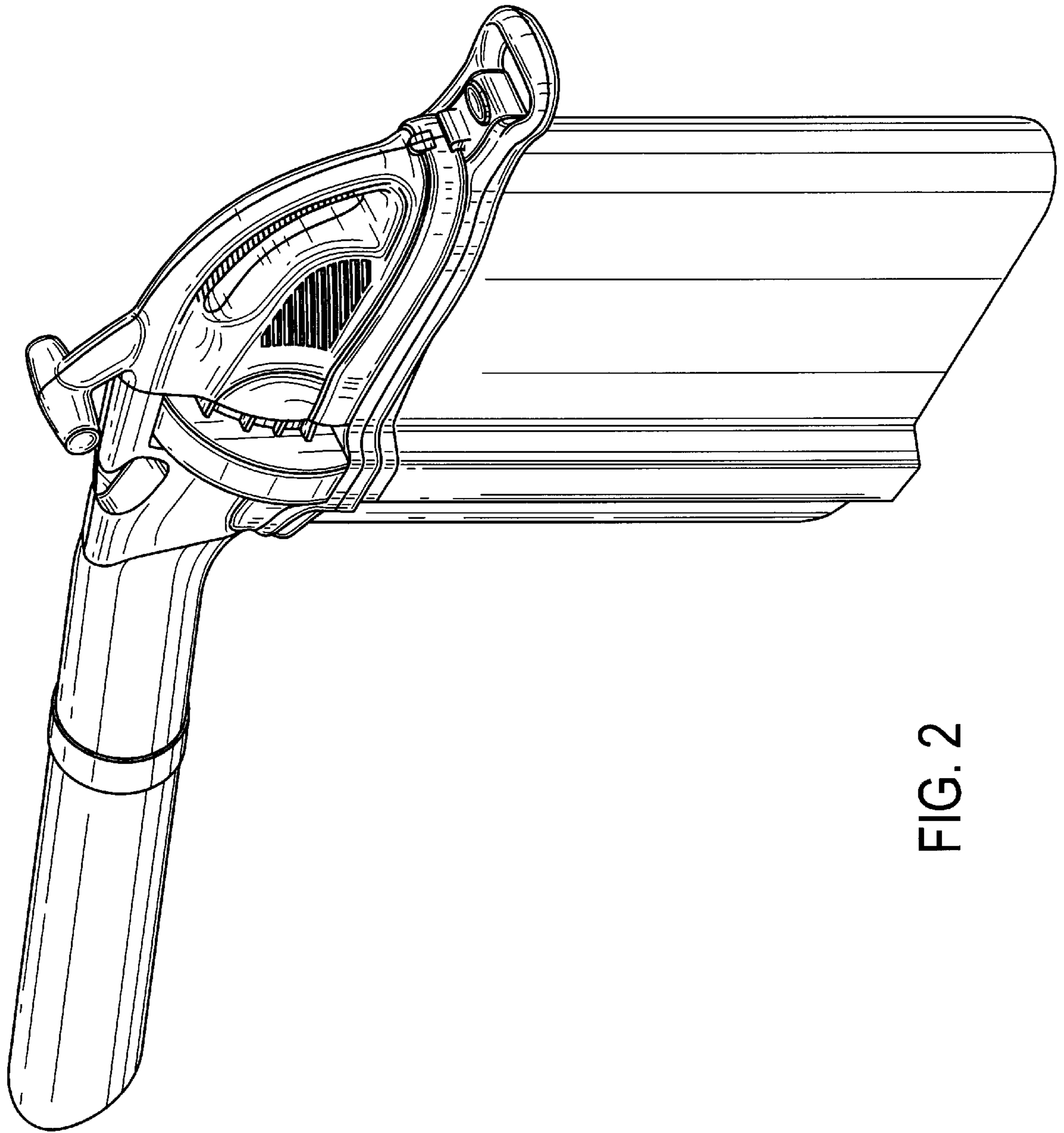


FIG. 2

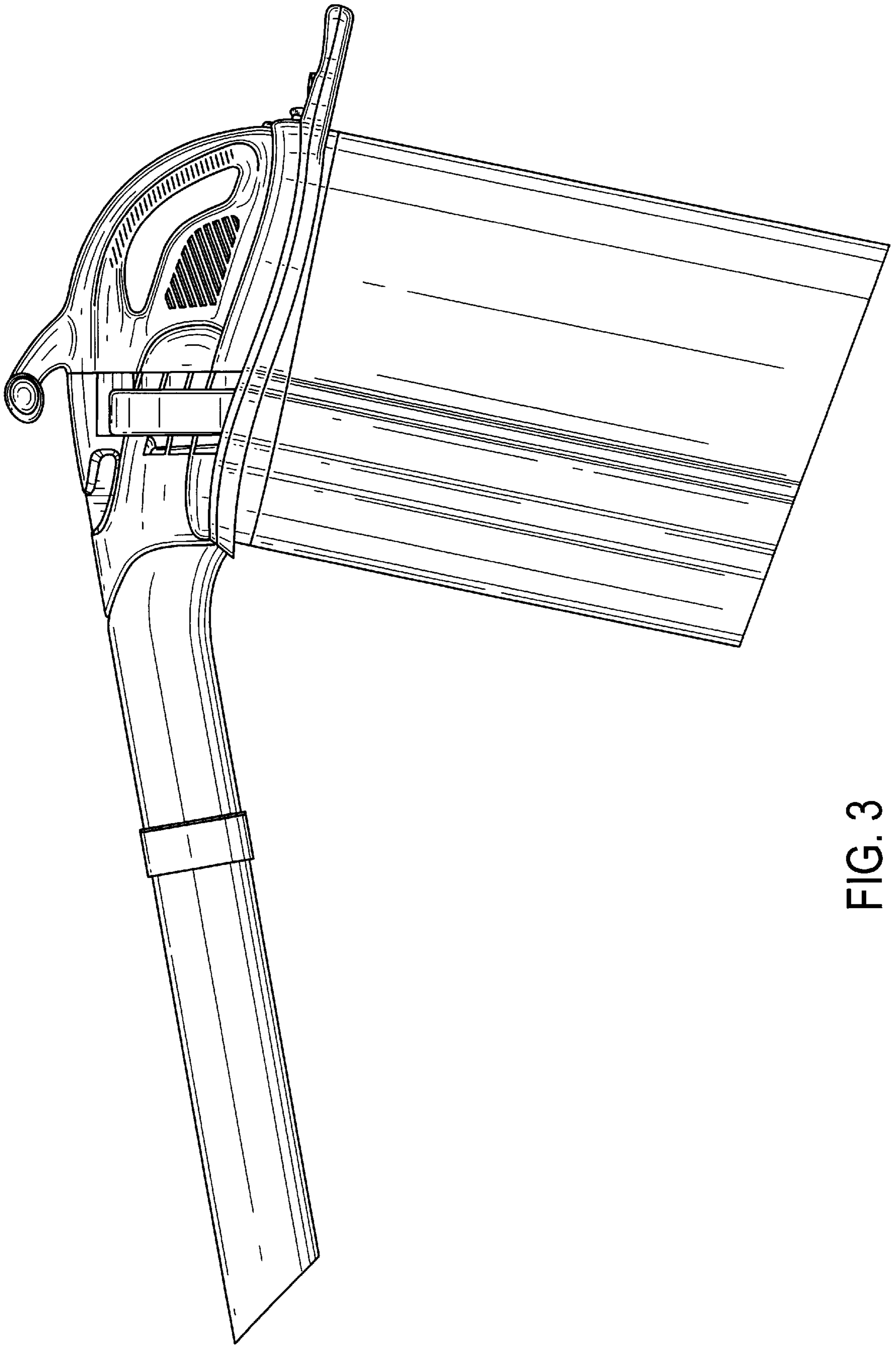


FIG. 3

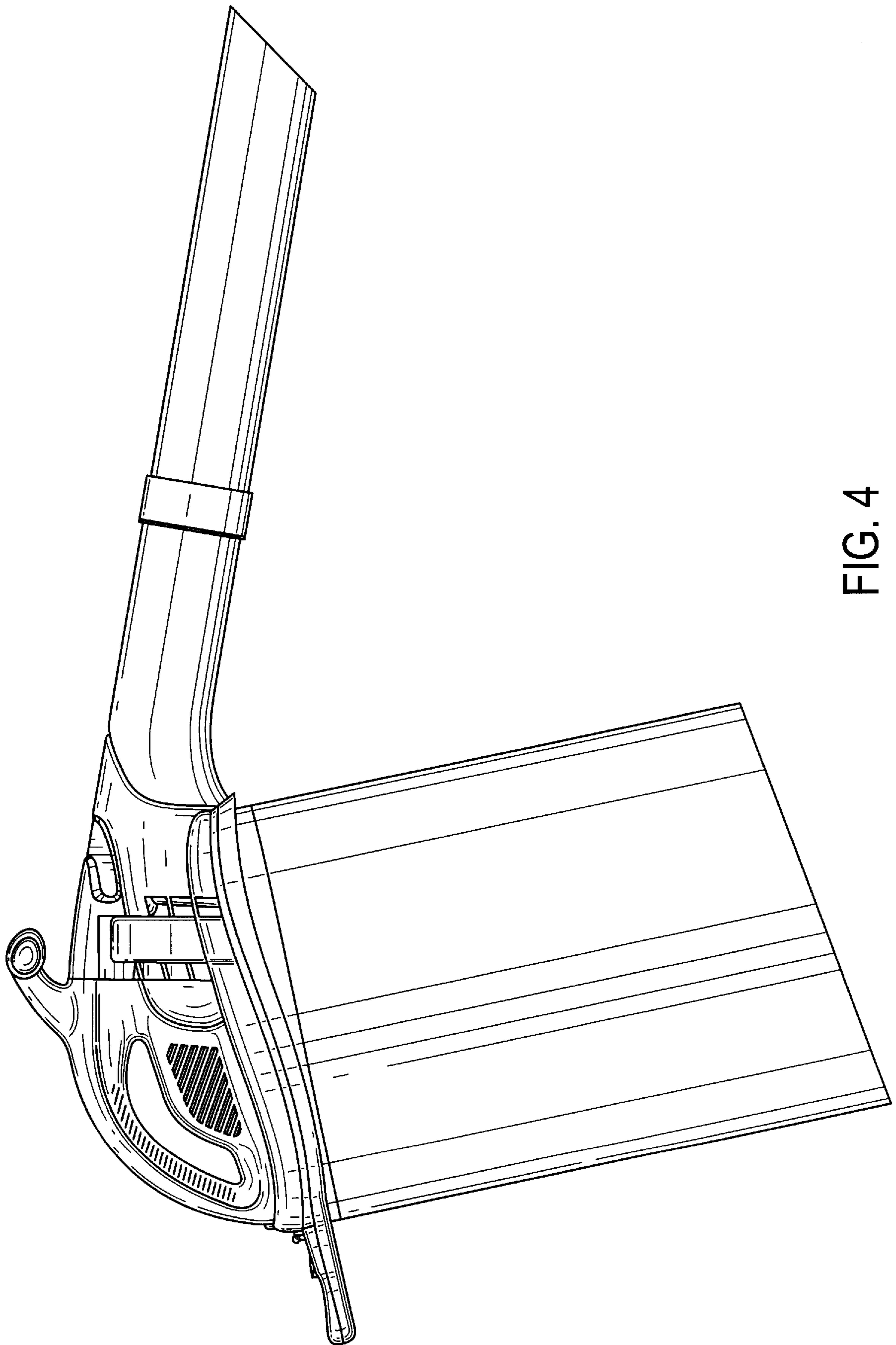


FIG. 4

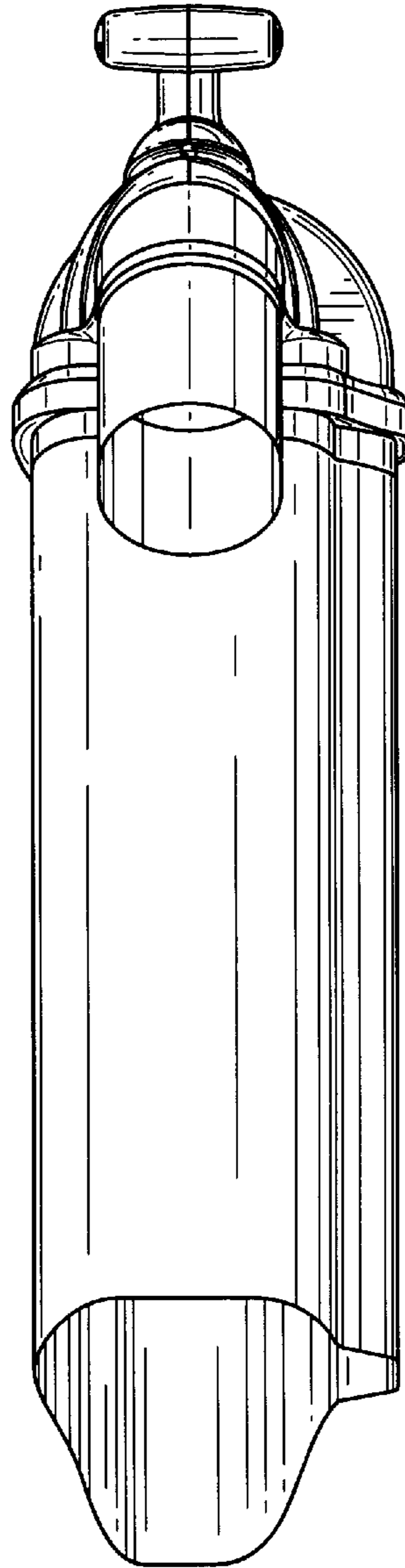


FIG. 5

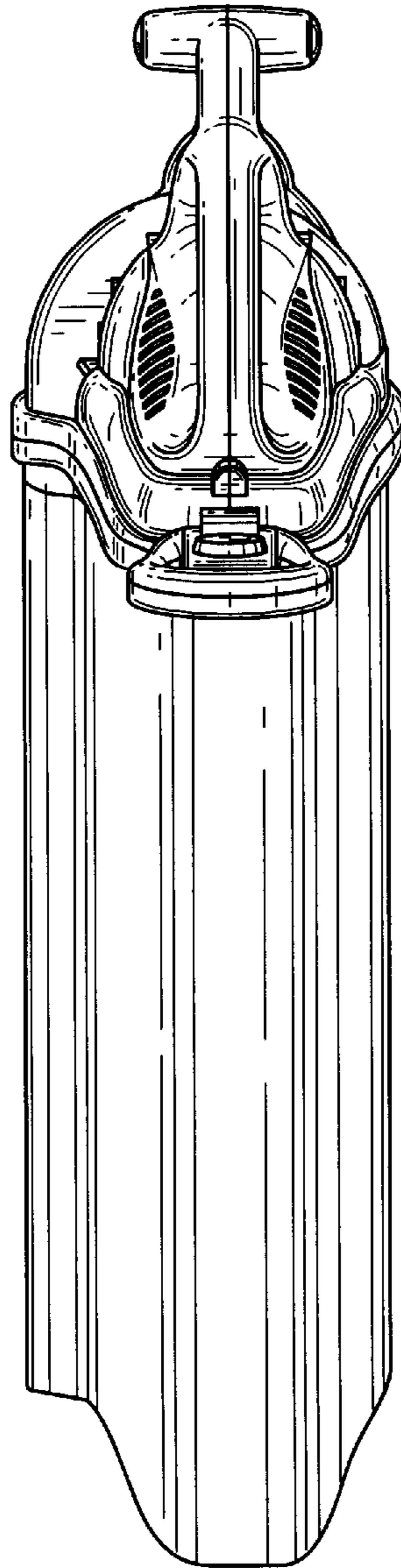


FIG. 6

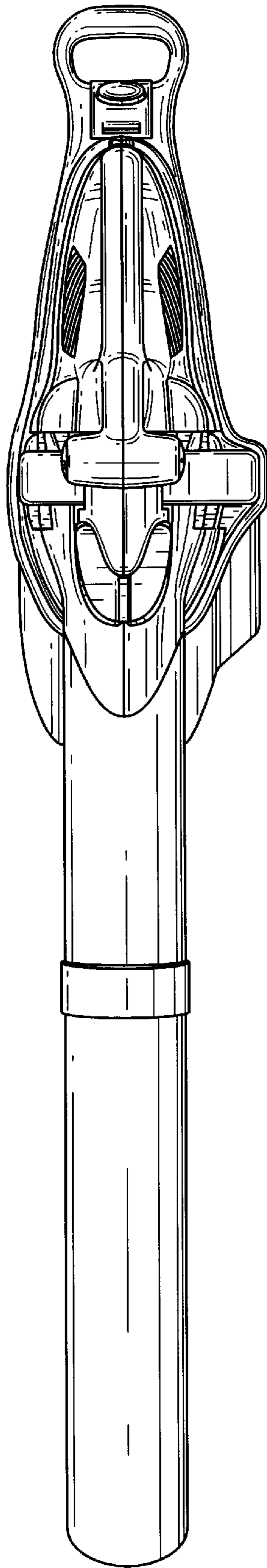


FIG. 7

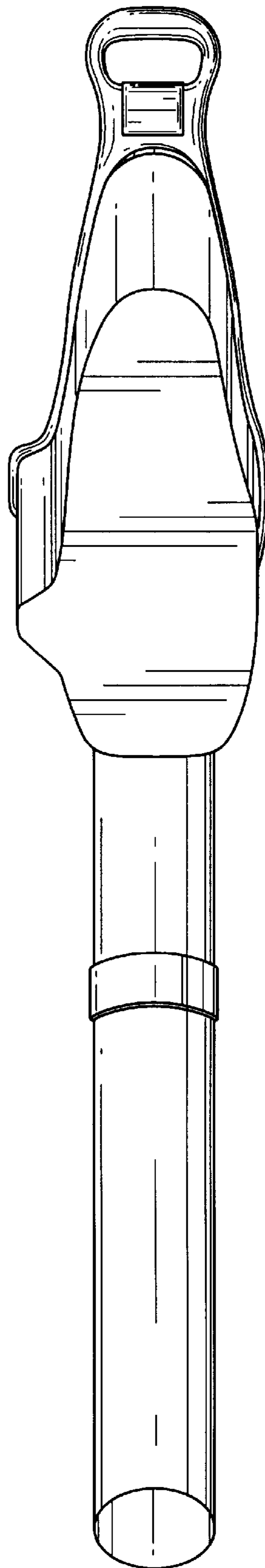


FIG. 8