



US00D405563S

# United States Patent [19]

[11] **Patent Number: Des. 405,563**

**Baiera et al.**

[45] **Date of Patent: \*\*Feb. 9, 1999**

[54] **PET TOY**

[75] Inventors: **Vincent A. Baiera**, Brooklyn, N.Y.;  
**Jonathan Willinger**, Englewood, N.J.

[73] Assignee: **J.W. Pet Company, Inc.**, East  
Rutherford, N.J.

[\*\*] Term: **14 Years**

[21] Appl. No.: **70,864**

[22] Filed: **Apr. 30, 1997**

[51] **LOC (6) Cl. .... 30-99**

[52] **U.S. Cl. .... D30/160**

[58] **Field of Search .... 119/701-711; D30/160;**  
446/168, 170; 273/317, 109

4,515,373	5/1985	Hirshfeld .....	273/317
4,593,911	6/1986	Cory .....	273/109
4,632,391	12/1986	Orak .....	446/170
5,009,193	4/1991	Gordon .....	119/711
5,269,261	12/1993	McCance .....	119/706
5,529,017	6/1996	Udelle et al. ....	119/707
5,544,623	8/1996	Udelle et al. ....	119/706
5,572,955	11/1996	Boshears .....	119/706
5,579,725	12/1996	Bpsjears .....	119/706
5,692,944	12/1997	Pellicone .....	446/170
5,785,005	7/1998	Udelle et al. ....	119/706
5,809,938	9/1998	Baiera et al. ....	119/707

*Primary Examiner*—Cathy Anne MacCormac  
*Attorney, Agent, or Firm*—Helfgott & Karas, P C.

### [57] CLAIM

The ornamental design for a pet toy, as shown and described.

### DESCRIPTION

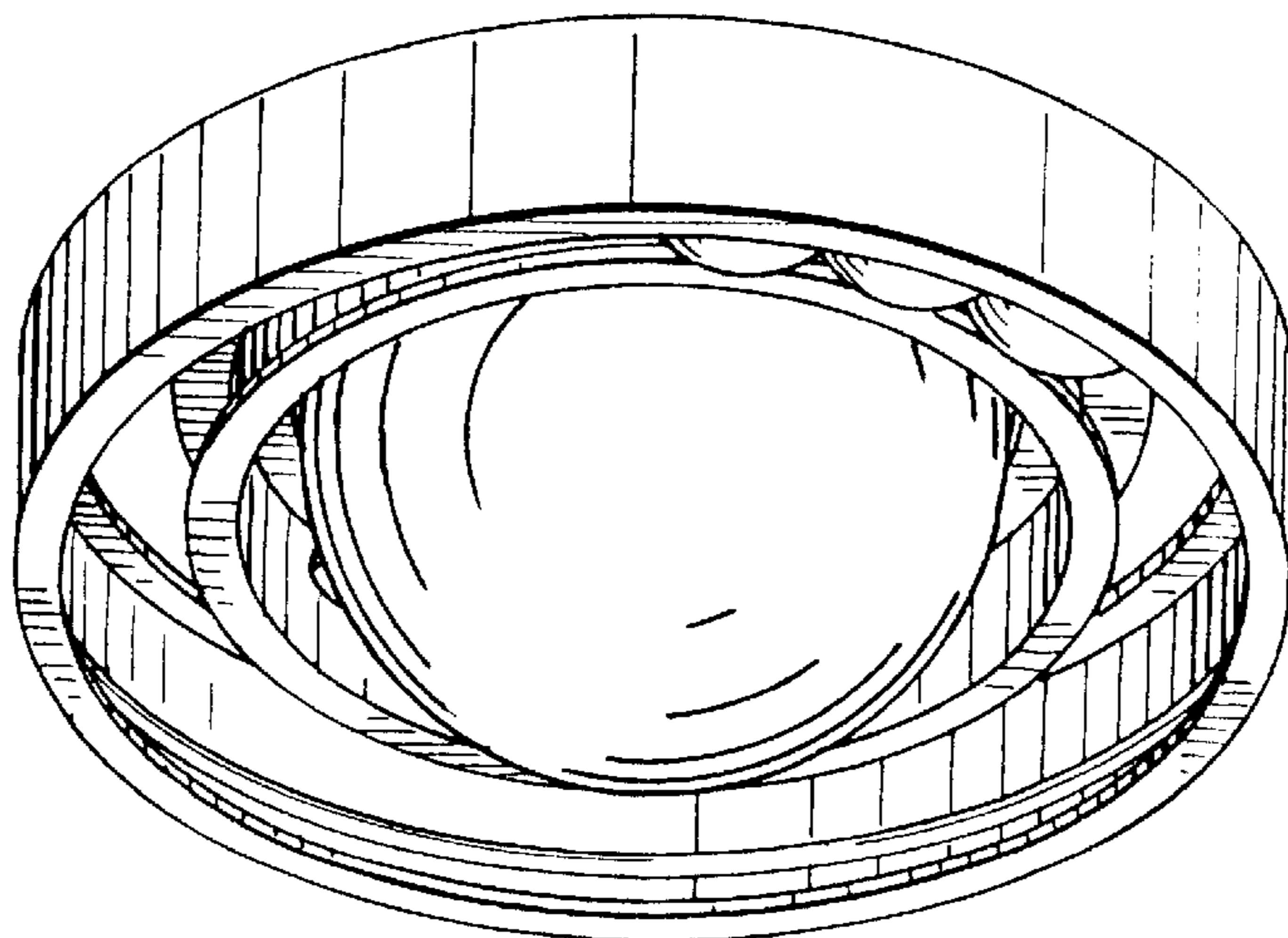
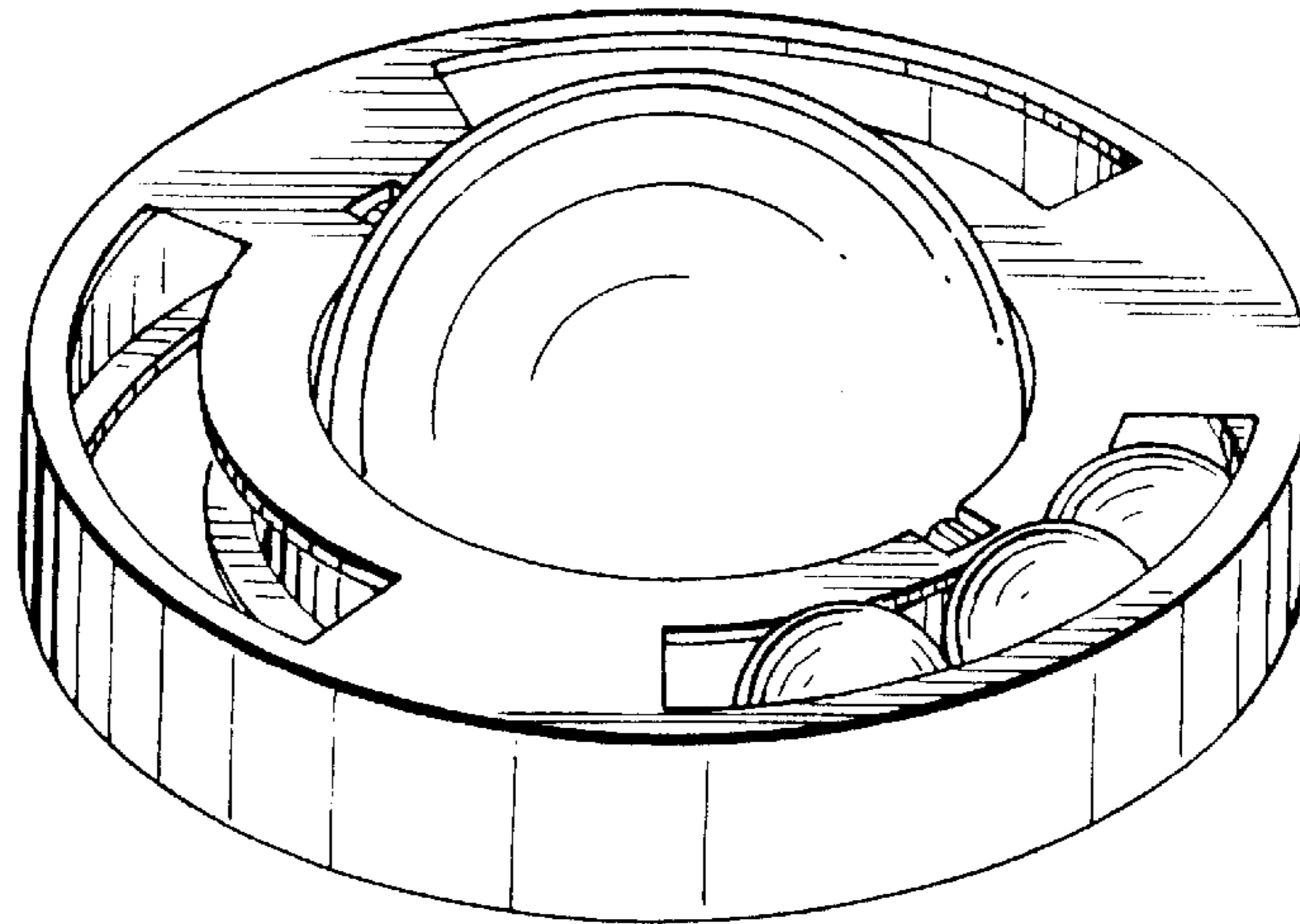
FIG. 1 is a top perspective view of a pet toy showing our new design;  
FIG. 2 is a bottom perspective view thereof;  
FIG. 3 is a top plan view thereof;  
FIG. 4 is a side elevation view thereof; and,  
FIG. 5 is a bottom plan view thereof.

**1 Claim, 3 Drawing Sheets**

### [56] References Cited

#### U.S. PATENT DOCUMENTS

D. 273,314	4/1984	McCoy et al. ....	D30/160
D. 301,510	6/1989	Orak .....	D30/160
D. 335,553	5/1993	Conner .....	D30/160
D. 335,554	5/1993	Conner .....	D30/160
D. 359,822	6/1995	McCance .....	D30/160
D. 387,513	12/1997	Mauldin, Jr. ....	D30/160



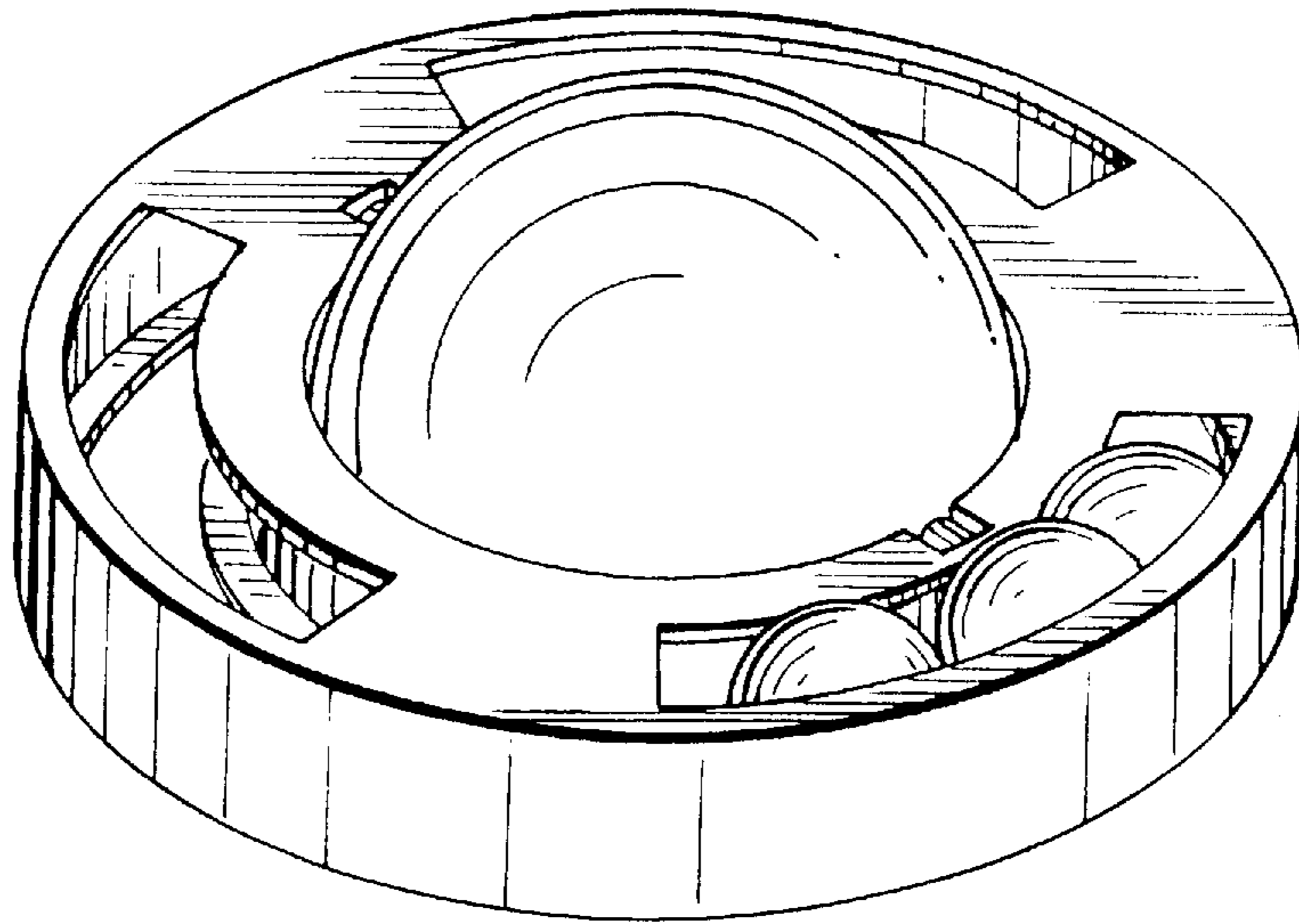


FIG. 1

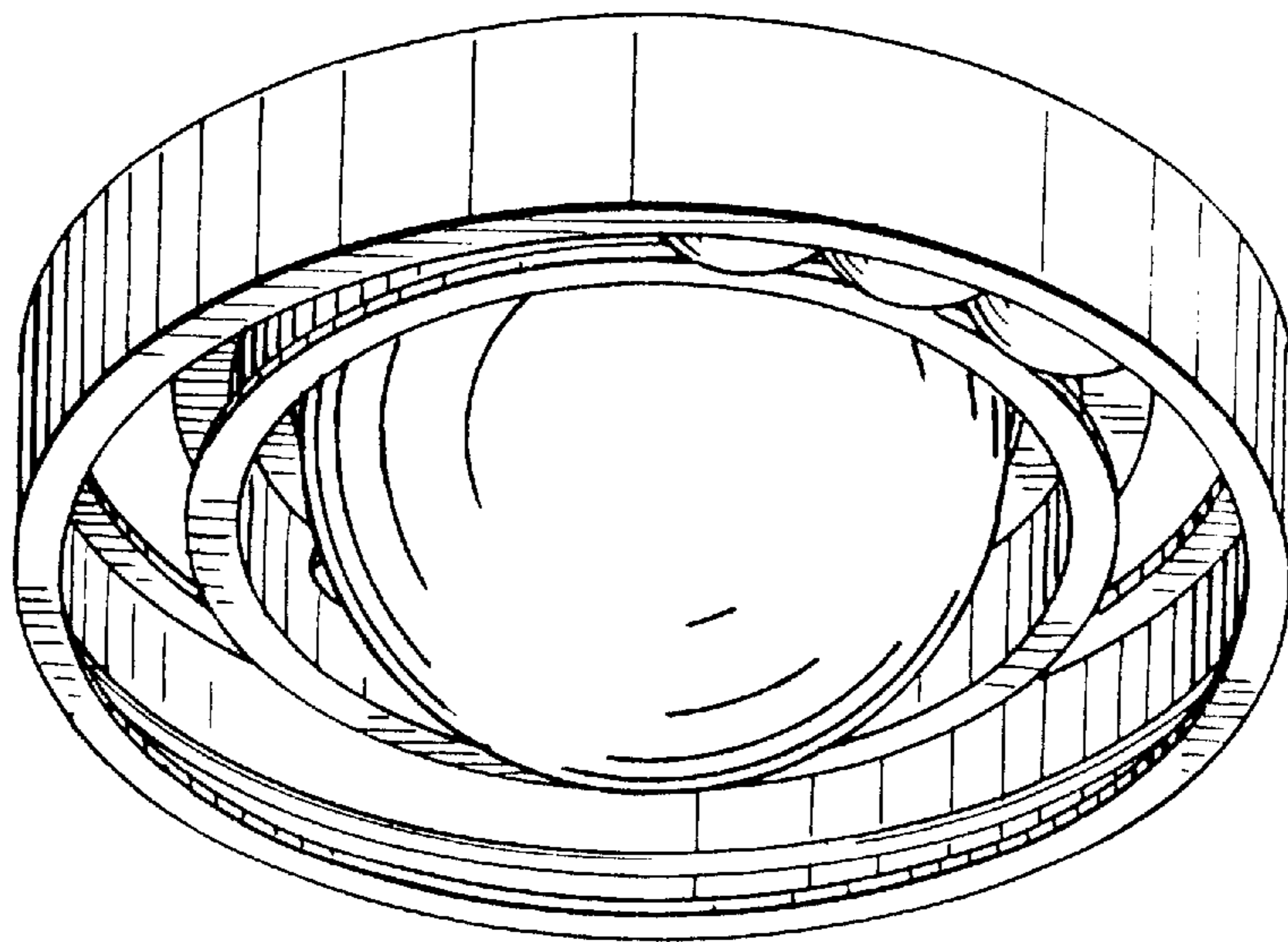


FIG. 2

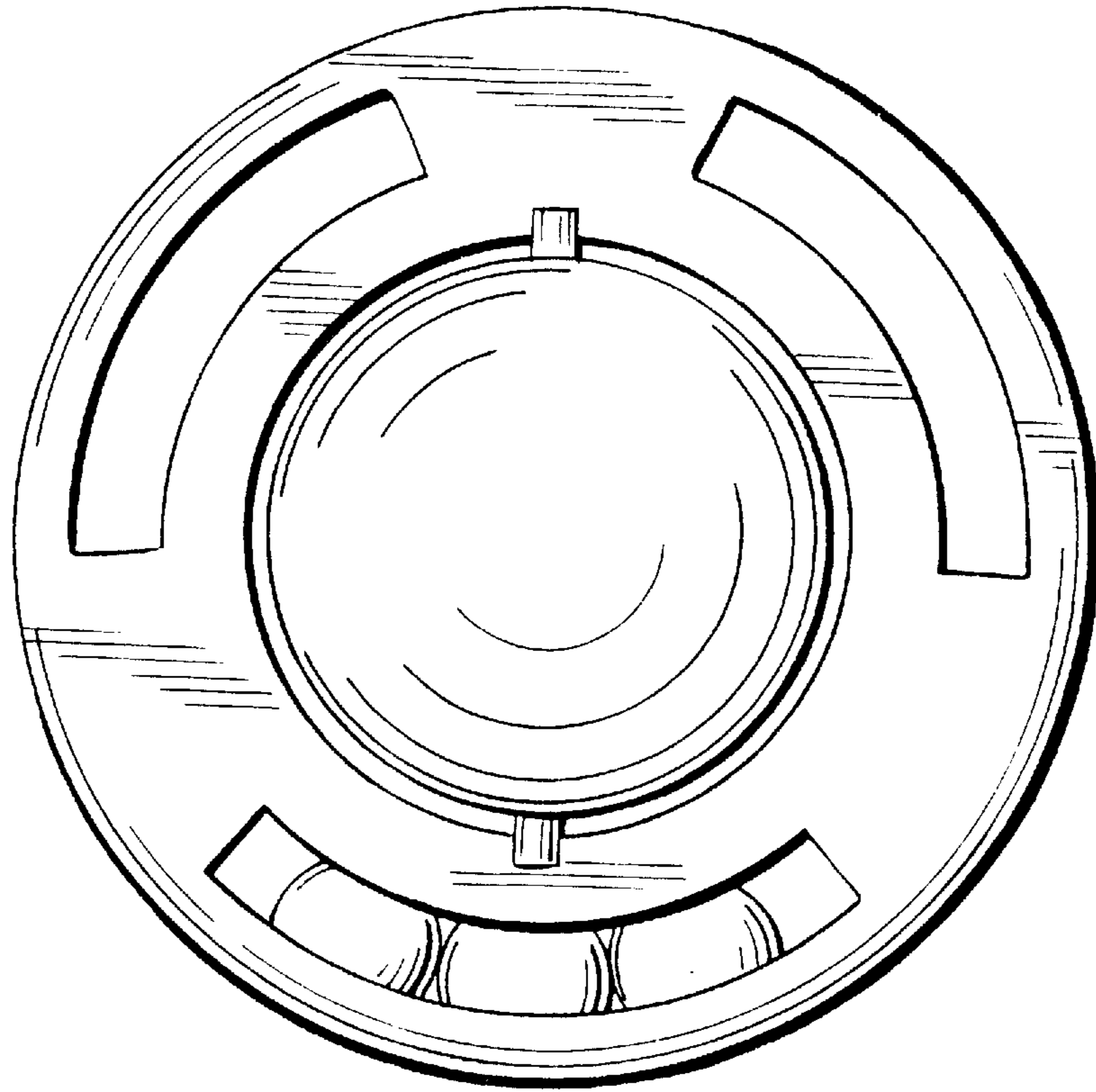


FIG. 3

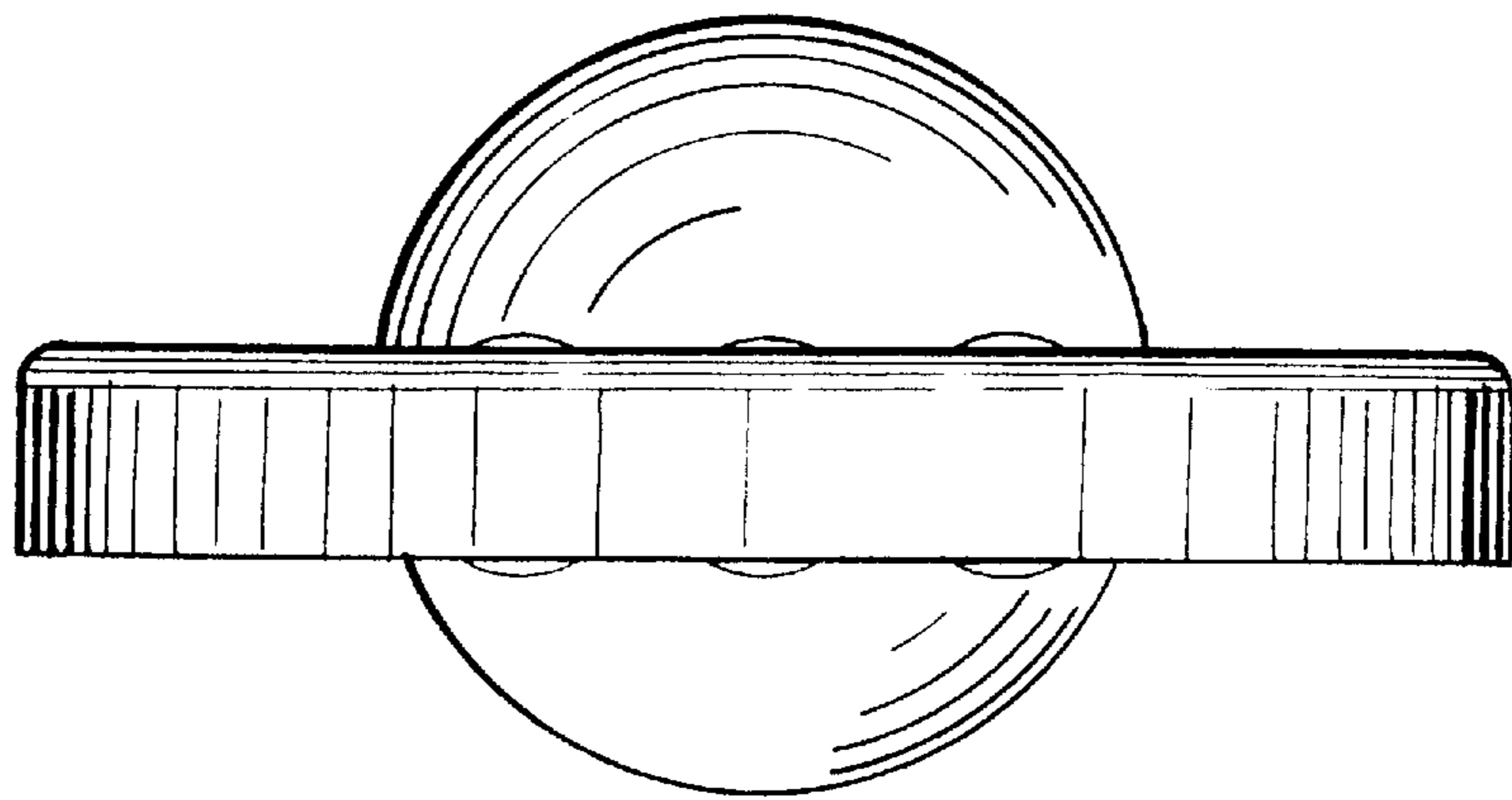


FIG. 4

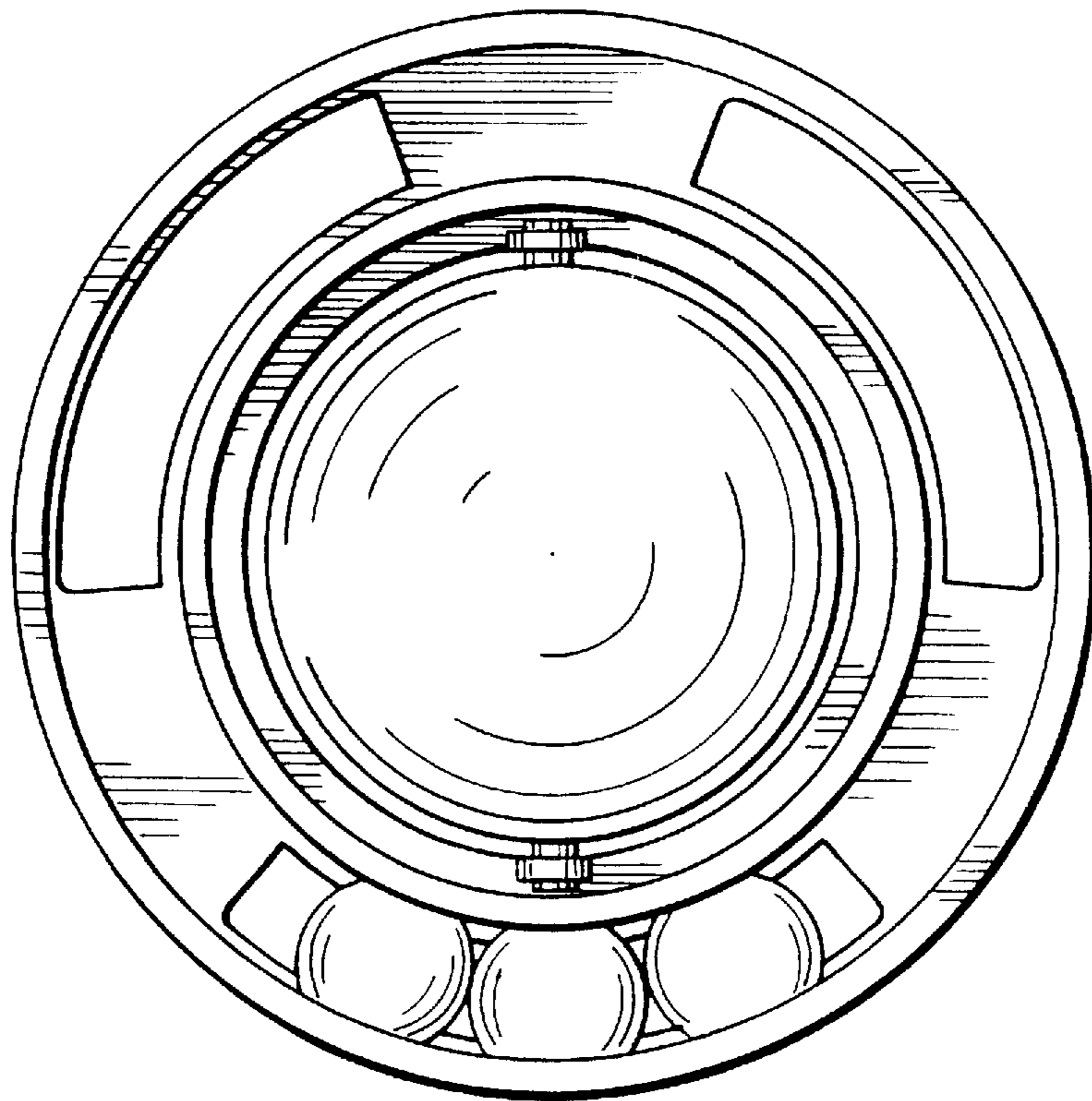


FIG. 5