



US00D405561S

# United States Patent [19]

Willinger et al.

[11] Patent Number: **Des. 405,561**

[45] Date of Patent: **\*\*Feb. 9, 1999**

[54] **PET BOWL**

[75] Inventors: **Jonathan Willinger**, Tenafly, N.J.;  
**Yoon Ho Choi**, New York, N.Y.

[73] Assignee: **J.W. Pet Company, Inc.**, East  
Rutherford, N.J.

[\*\*] Term: **14 Years**

[21] Appl. No.: **85,242**

[22] Filed: **Mar. 19, 1998**

[51] **LOC (6) Cl.** ..... **30-07**

[52] **U.S. Cl.** ..... **D30/129; D7/545; D7/543;**  
**D7/354**

[58] **Field of Search** ..... **D30/121-122,**  
**D30/129-133; 119/71, 51.11, 51.5, 74,**  
**77, 52.1, 60-61, 72; D7/500, 560, 543,**  
**545, 360, 354; D9/425**

[56] **References Cited**

**U.S. PATENT DOCUMENTS**

D. 197,574	2/1964	Gulotta	.....	D7/545
D. 248,076	6/1978	Christian	.....	D7/545
D. 270,323	8/1983	Powers	.....	D7/543
D. 278,167	3/1985	Kilham	.....	D30/121
D. 313,486	1/1991	Conner	.....	D30/129

D. 325,684	4/1992	Deare	.....	D7/500
D. 344,370	2/1994	Dryden et al.	.....	D30/129
D. 364,998	12/1995	Held	.....	D7/545
D. 383,031	9/1997	Cousins	.....	D7/354
D. 391,440	3/1998	Cousins	.....	D7/545
472,316	4/1892	Smith	.....	119/61
2,584,301	2/1952	Sinclair	.....	119/61
4,085,706	4/1978	Evans	.....	119/61
4,803,954	2/1989	Welch et al.	.....	119/61
4,981,108	1/1991	Faeroe	.....	119/61
5,105,769	4/1992	Smith et al.	.....	119/61
5,501,176	3/1996	Tully	.....	119/61

*Primary Examiner*—Cathy Anne MacCormac  
*Attorney, Agent, or Firm*—Helfgott & Karas, P.C.

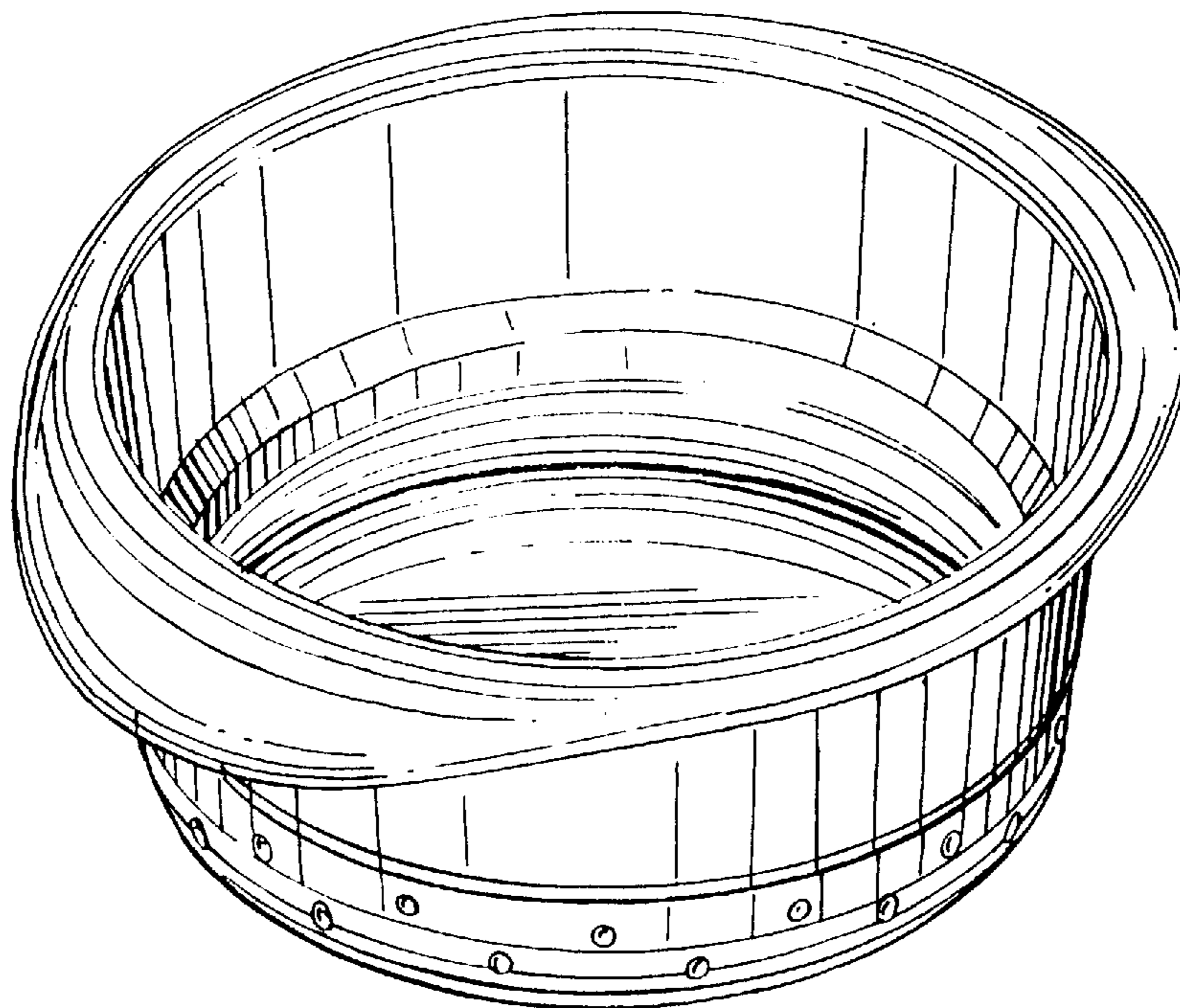
[57] **CLAIM**

The ornamental design for a pet bowl, as show and described.

**DESCRIPTION**

FIG. 1 is a perspective view of the pet bowl showing the new design;  
FIG. 2 is a top plan view thereof;  
FIG. 3 is a front elevation view thereof;  
FIG. 4 is a side elevation view thereof; and,  
FIG. 5 is a bottom plan view thereof.

**1 Claim, 2 Drawing Sheets**



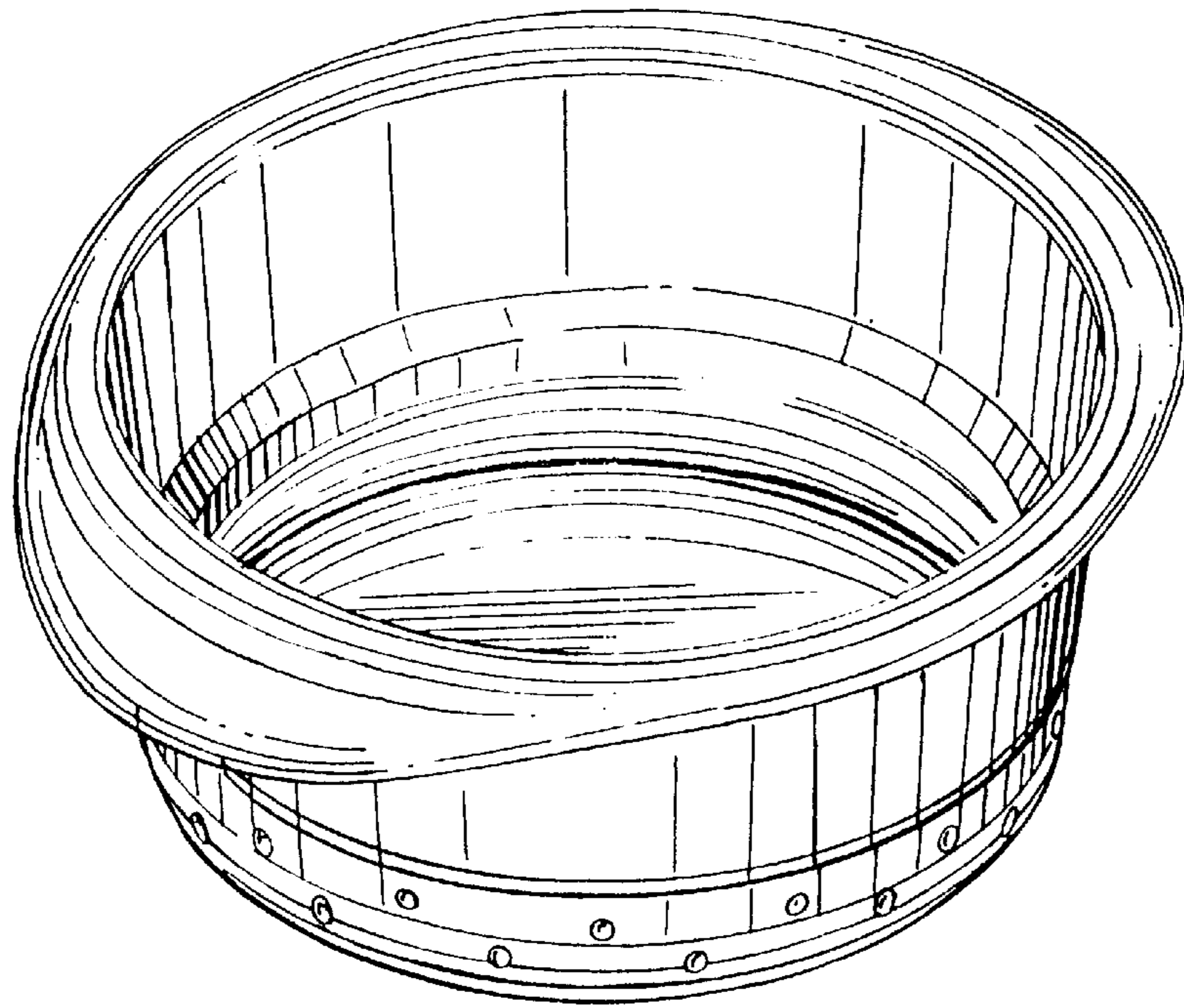


FIG. 1



FIG. 2

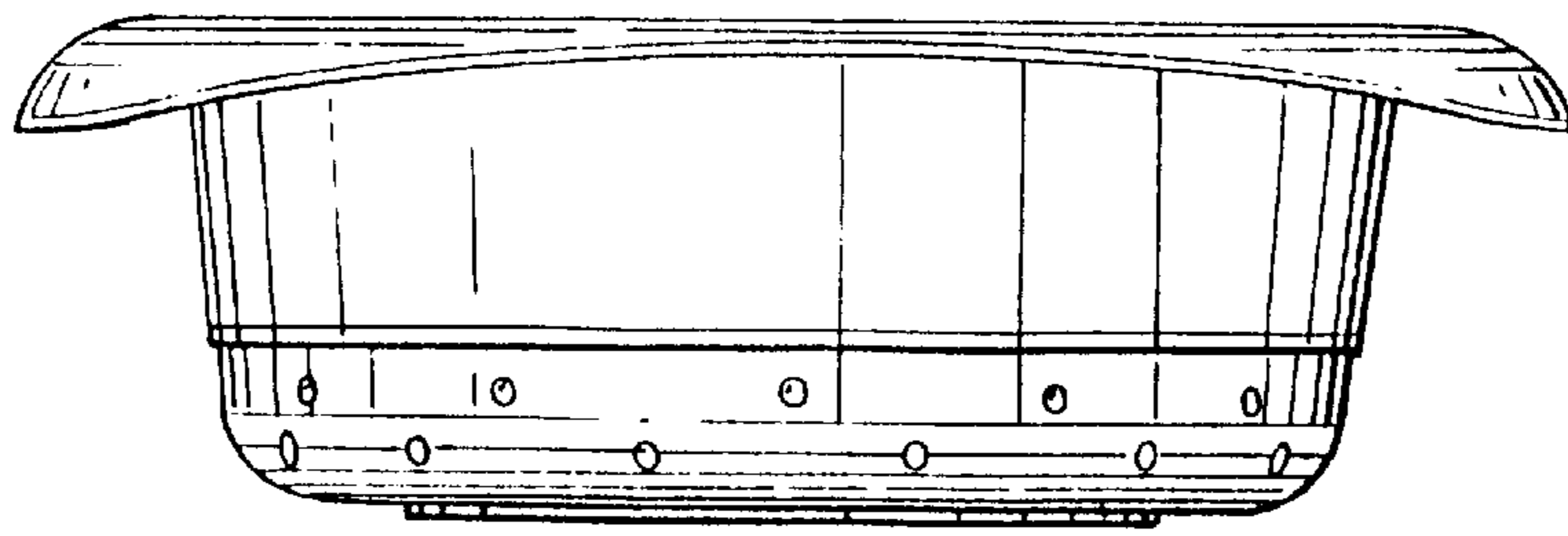


FIG. 3

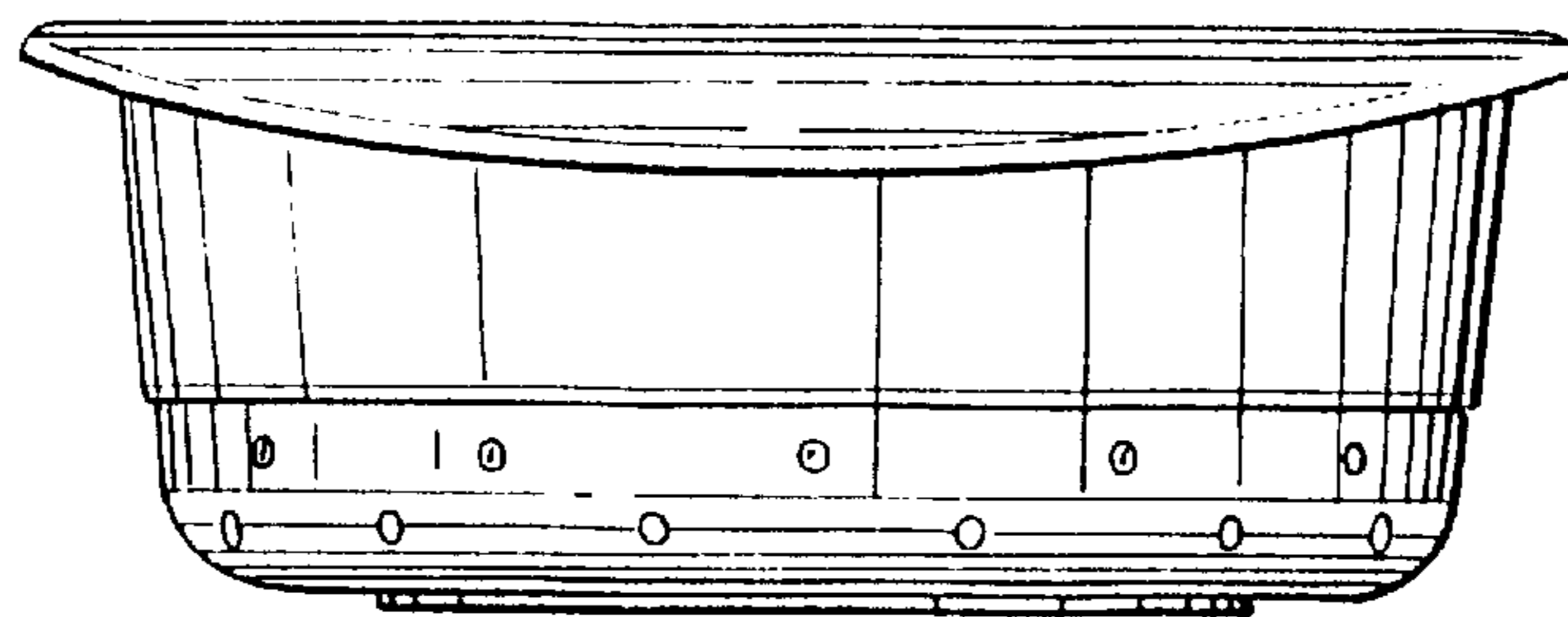


FIG. 4

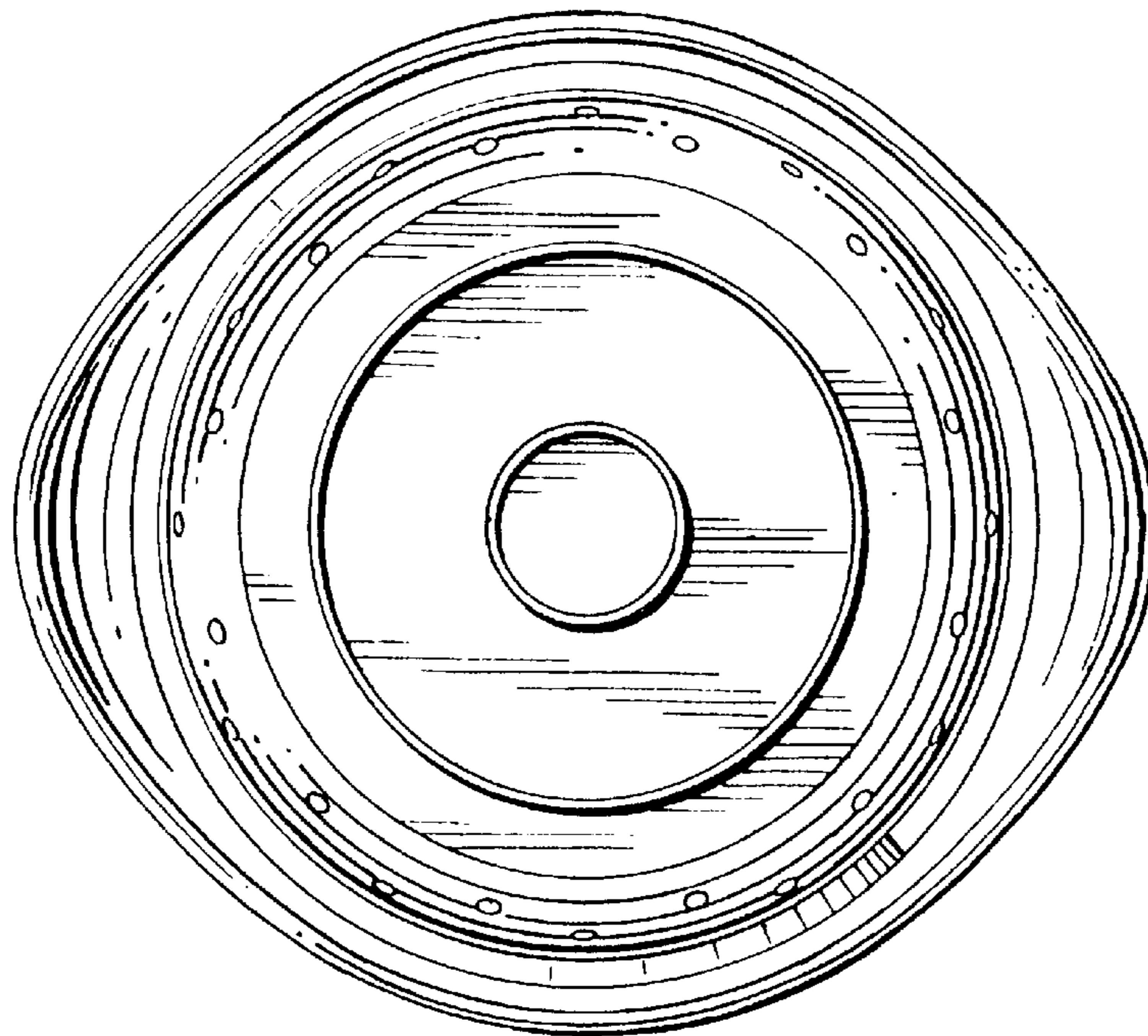


FIG. 5