



US00D405555S

United States Patent [19]

[11] Patent Number: **Des. 405,555**

De Melo et al.

[45] Date of Patent: ****Feb. 9, 1999**

[54] **COMBINED COSMETIC SHARPENER AND CAP**

846109	9/1939	France	30/460
930537	7/1963	United Kingdom	30/458
2252940	8/1992	United Kingdom	401/50

[76] Inventors: **Joseph De Melo**, 525 S. Flagler La., West Palm Beach, Fla. 33401; **Albert M. Greenhouse**, 14756 Wild Flower La., Del Ray Beach, Fla. 33446

Primary Examiner—Ted Shooman
Assistant Examiner—C. Tuttle
Attorney, Agent, or Firm—Ostrager Chong Flaherty and Onofrio

[**] Term: **14 Years**

[57] **CLAIM**

[21] Appl. No.: **70,182**

The ornamental design for a combined cosmetic sharpener and cap, as shown and described.

[22] Filed: **May 1, 1997**

DESCRIPTION

[51] **LOC (6) Cl.** **28-99**

[52] **U.S. Cl.** **D28/99; D28/7; D28/77; D19/73**

[58] **Field of Search** D28/7, 76, 77, D28/85, 88, 99; D19/35, 36, 41, 46, 54, 57, 58, 73; 132/317, 318, 320; 401/50-52, 88, 98, 131, 195; 30/451-462

FIG. 1 is a front, side and bottom perspective view showing our new design with the cap in its open position; FIG. 2 is a bottom plan view thereof; FIG. 3 is a front elevational view thereof; FIG. 4 is a top plan view thereof; FIG. 5 is a side elevational view thereof, the side opposite being a mirror image of the side shown; FIG. 6 is a rear elevational view thereof; FIG. 7 is a front, side and bottom perspective view showing our new design with the cap in its closed position; FIG. 8 is a bottom plan view thereof; FIG. 9 is a front elevational view thereof; FIG. 10 is a top plan view thereof; FIG. 11 is a side elevational view thereof, the side opposite being a mirror image of the side shown; and, FIG. 12 is a rear elevational view thereof FIG. 7.

[56] **References Cited**

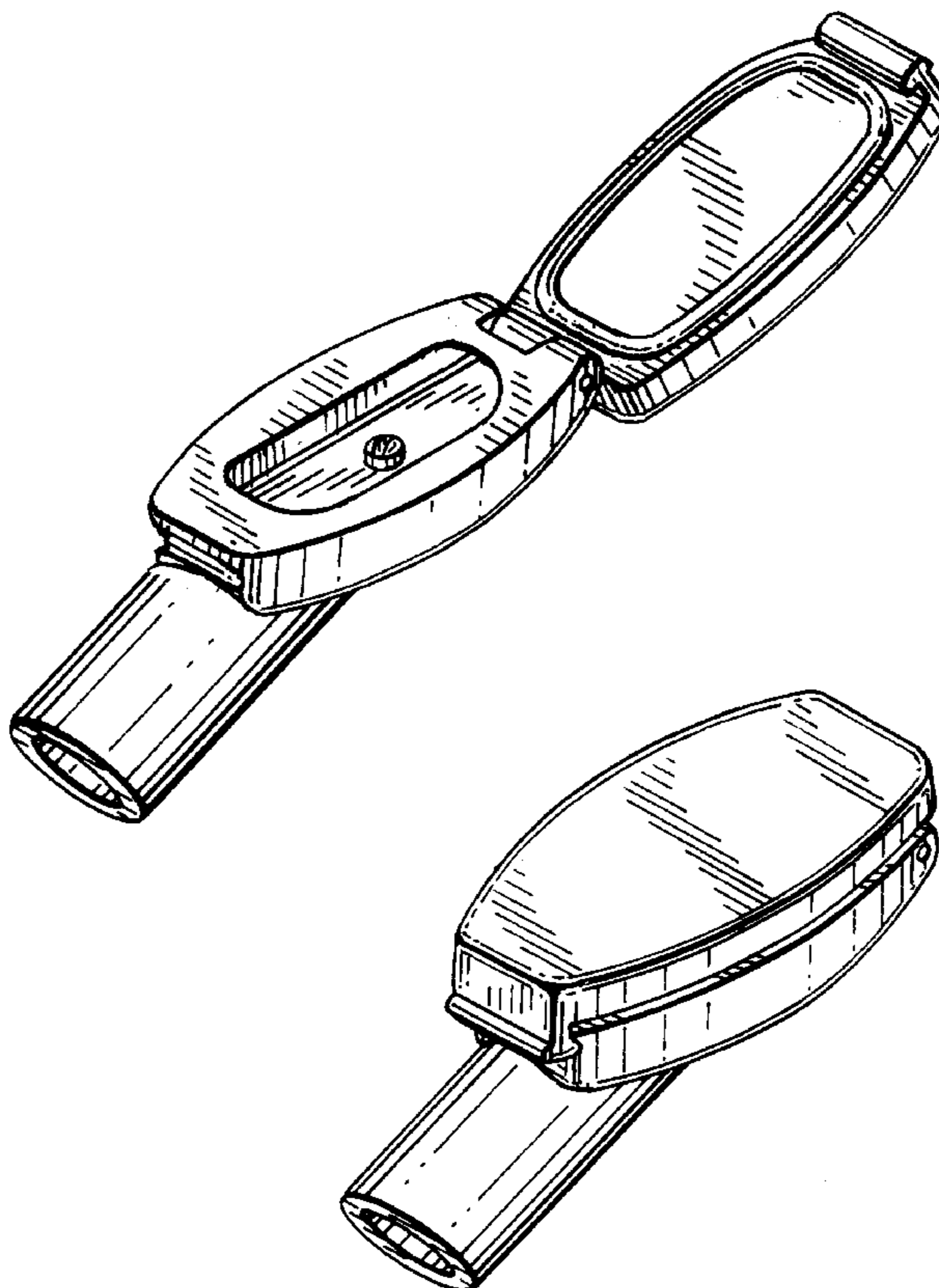
U.S. PATENT DOCUMENTS

D. 155,265	9/1949	Breen	D28/77
D. 260,559	9/1981	Scalice	D28/7
D. 307,600	5/1990	Singer	D19/36
D. 358,606	5/1995	Davis et al.	D19/46 X
377,974	2/1888	Wheless	401/52 X
585,670	7/1897	Graves	15/105.53
625,878	5/1899	Fraser	30/453

FOREIGN PATENT DOCUMENTS

126501	1/1932	Austria	30/460
--------	--------	---------------	--------

1 Claim, 3 Drawing Sheets



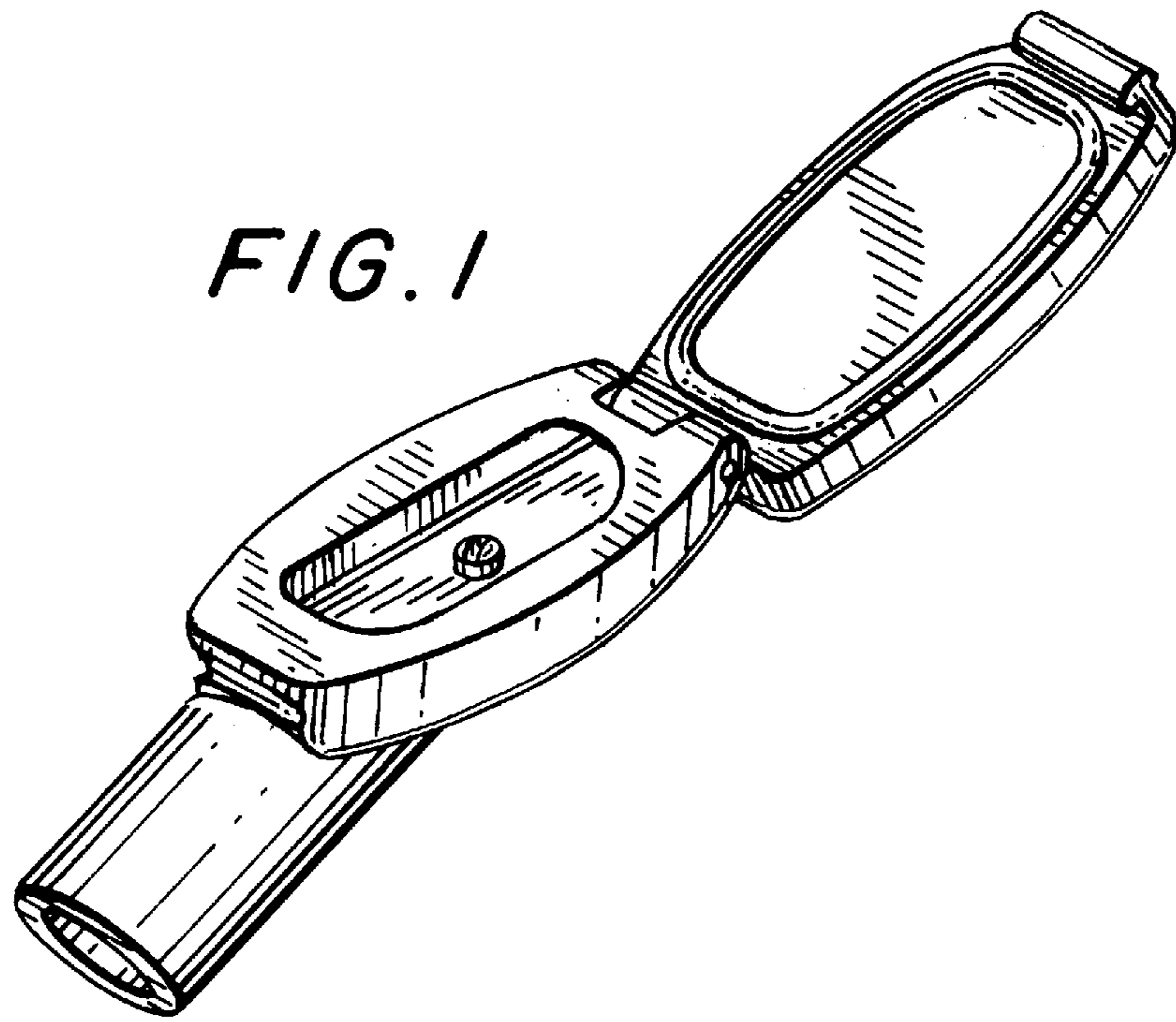
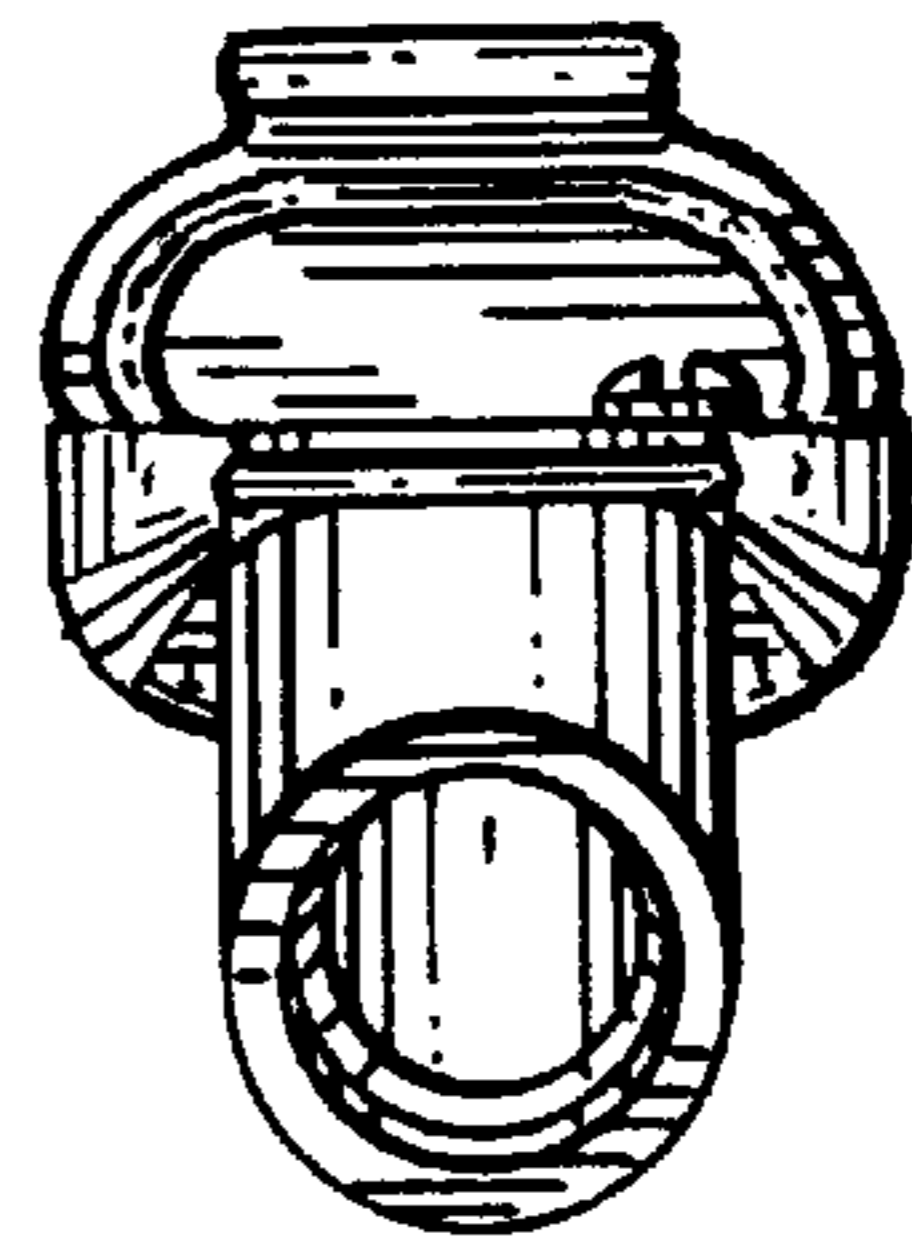


FIG. 2



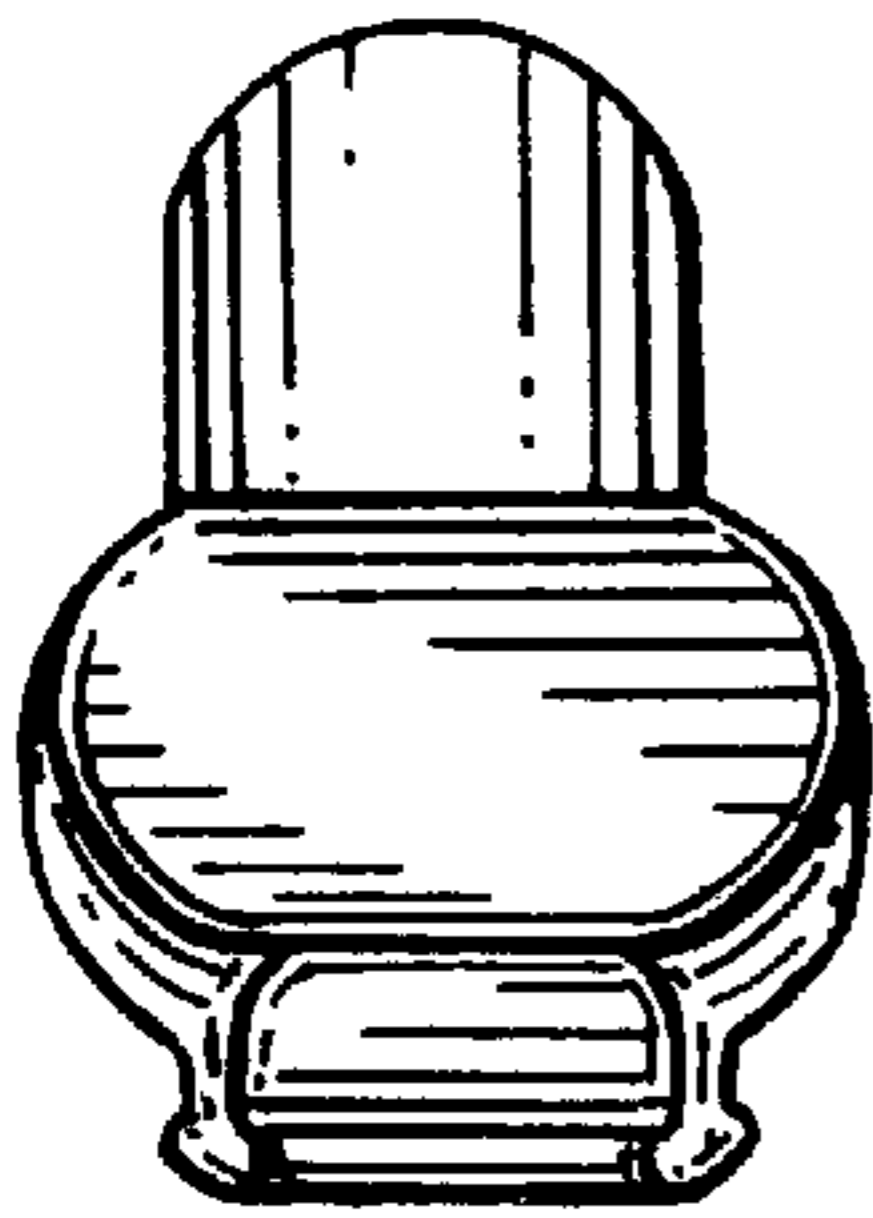


FIG. 4

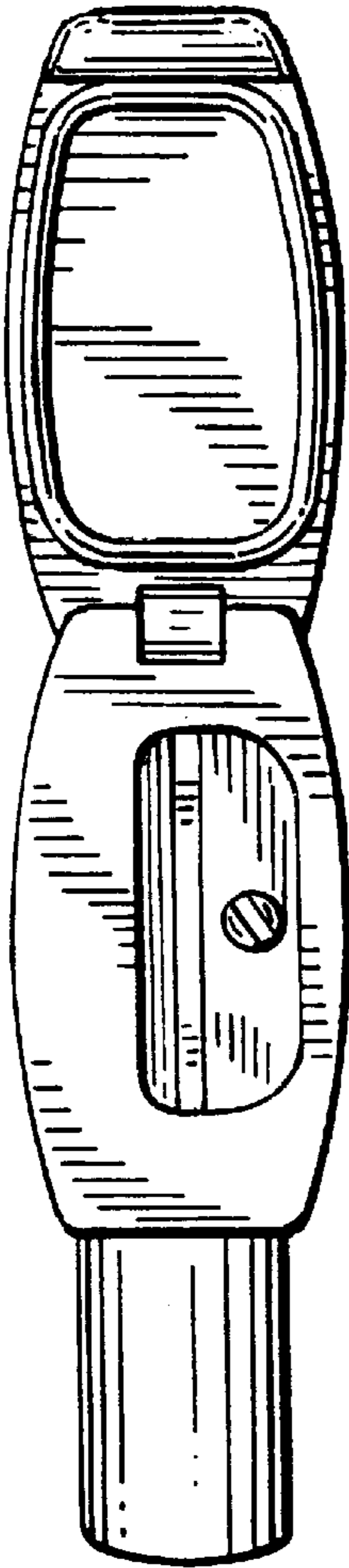


FIG. 3

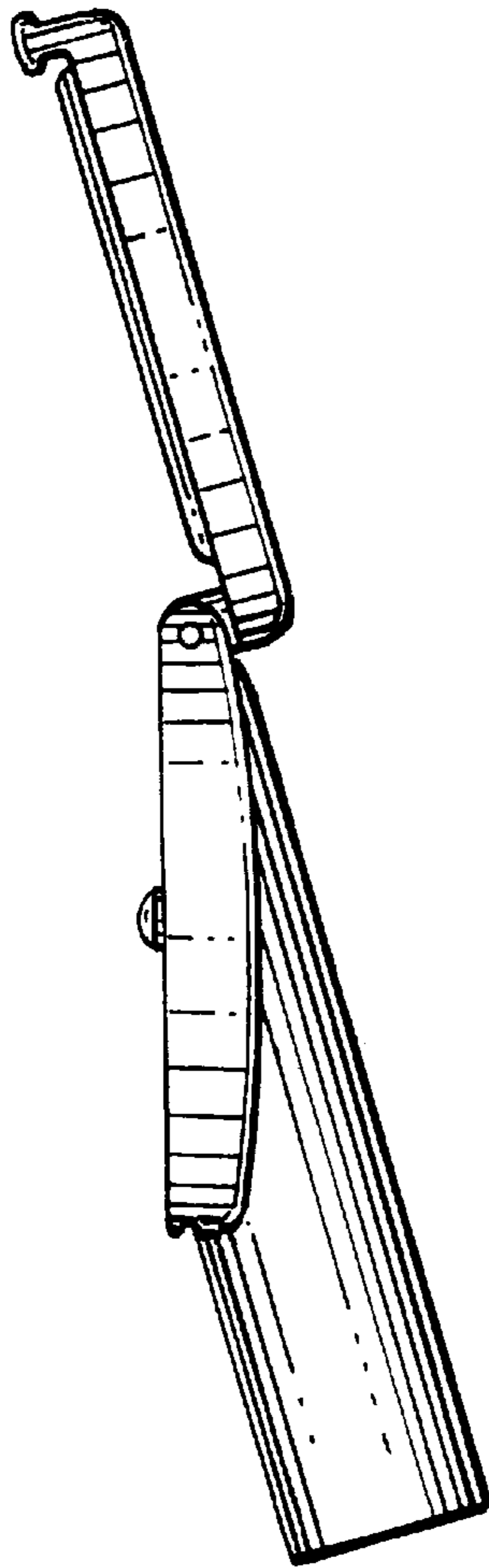


FIG. 5

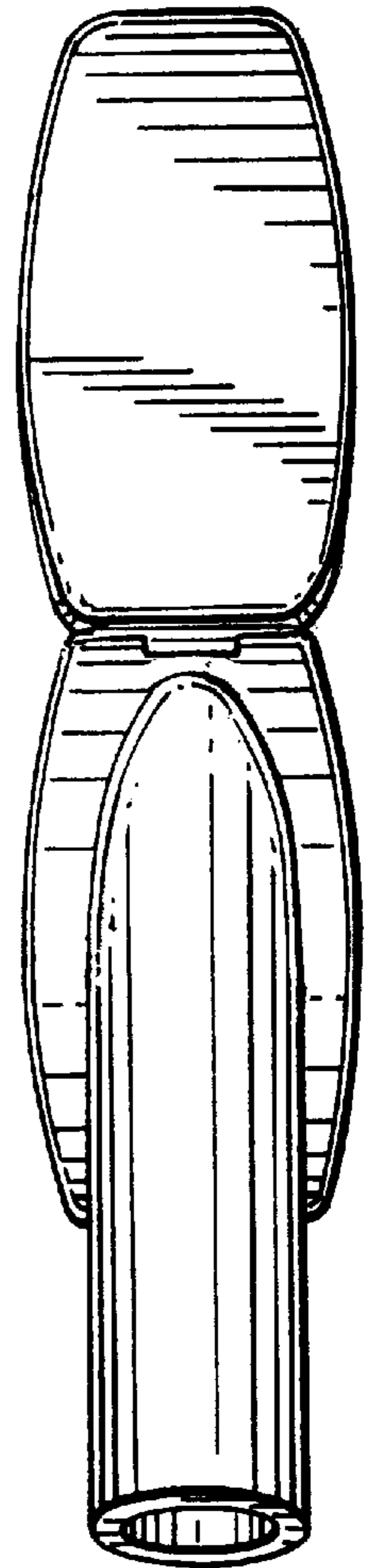


FIG. 6

FIG. 7

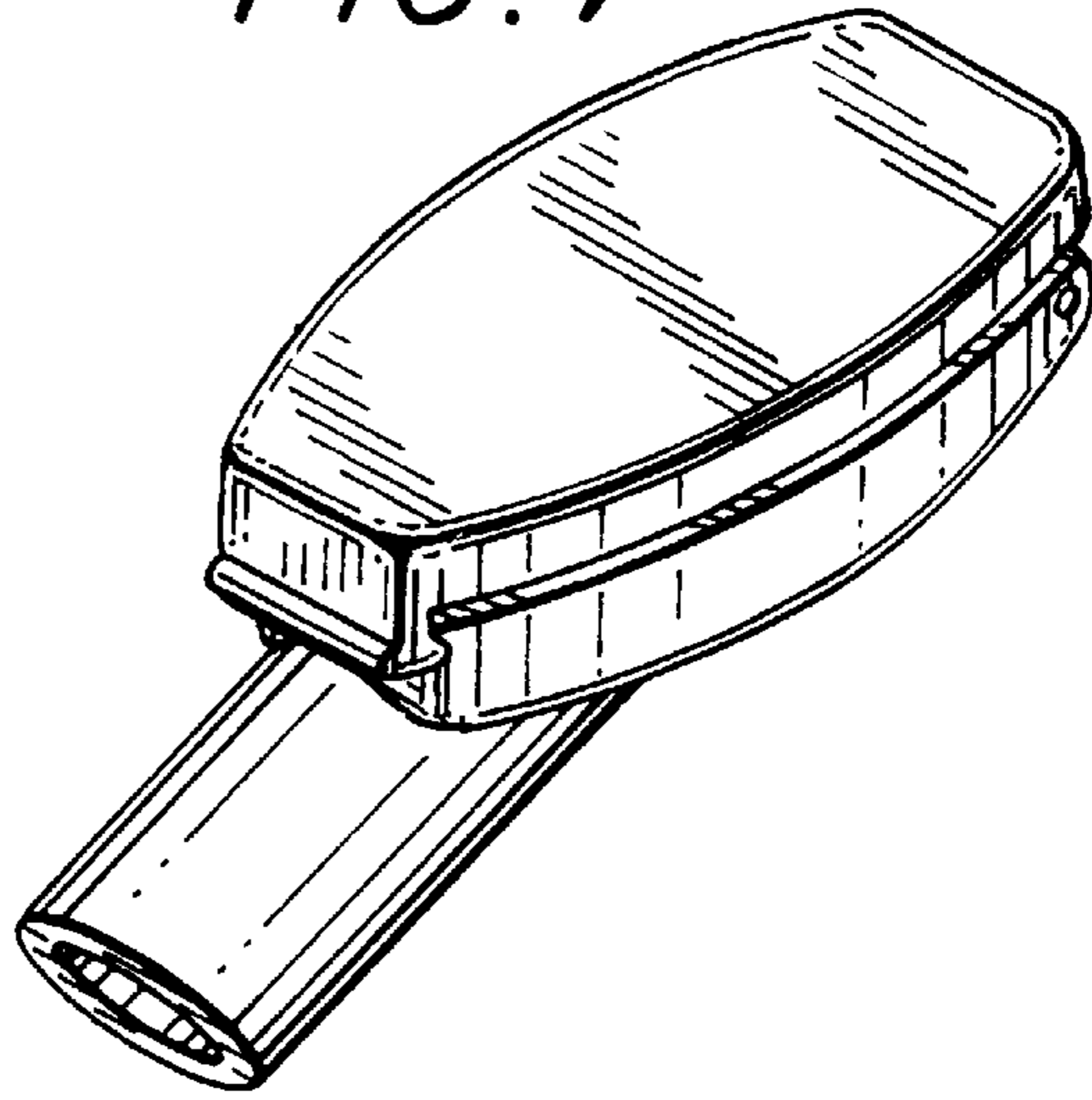


FIG. 10

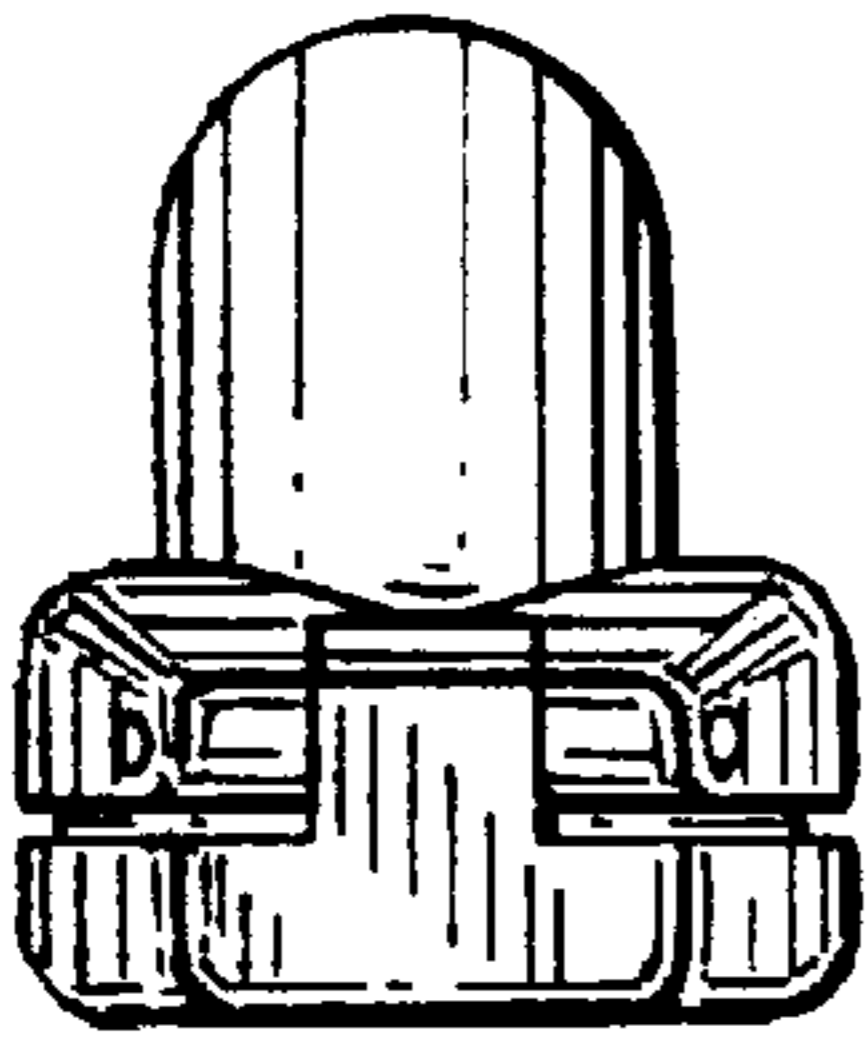


FIG. 9

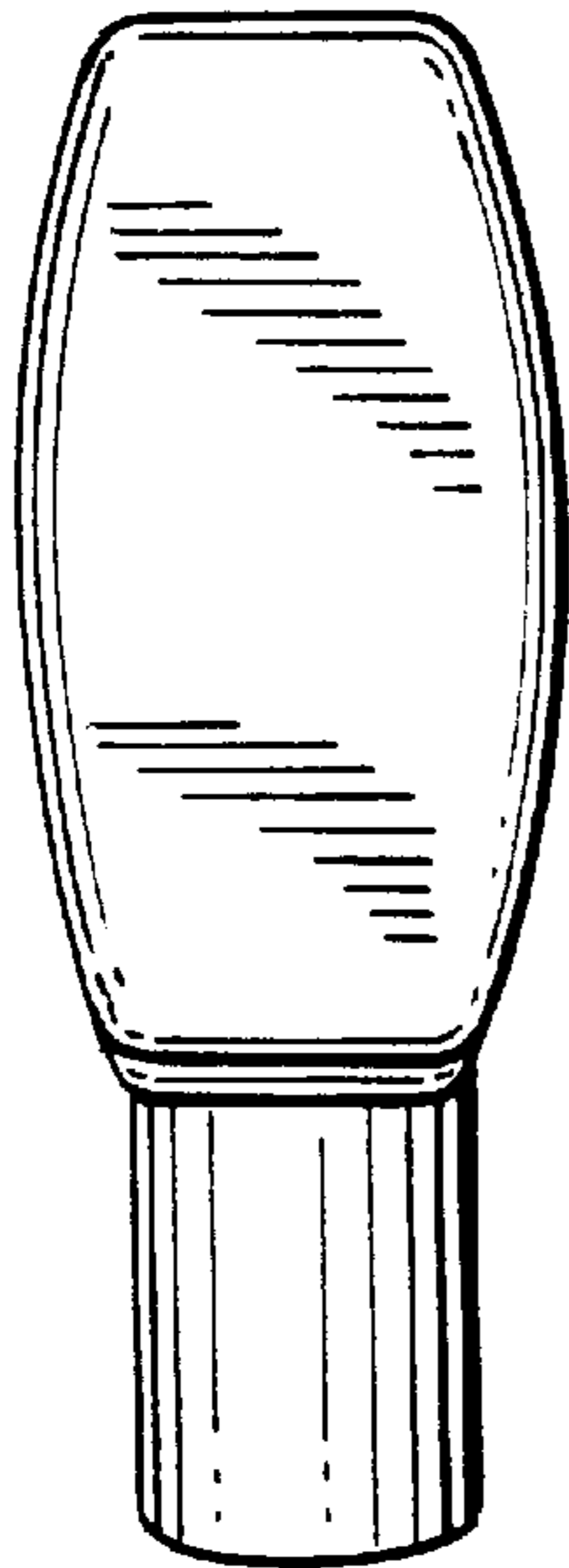


FIG. 11

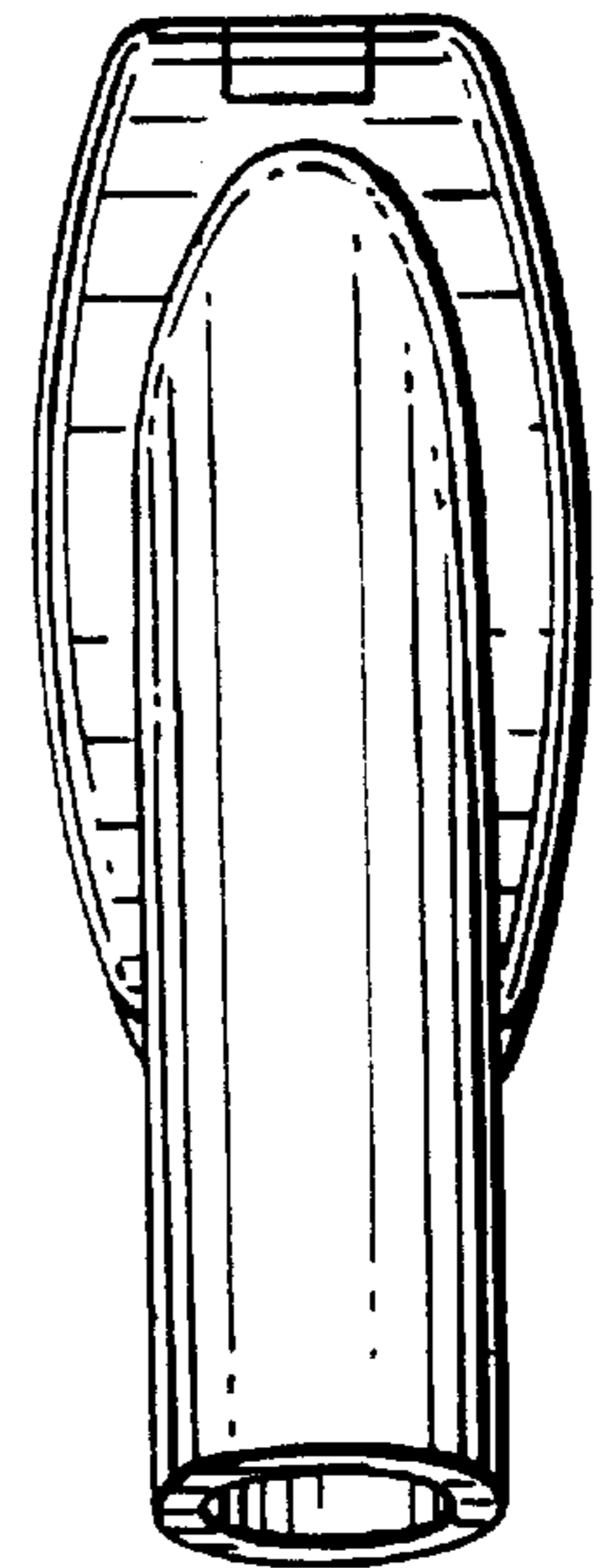
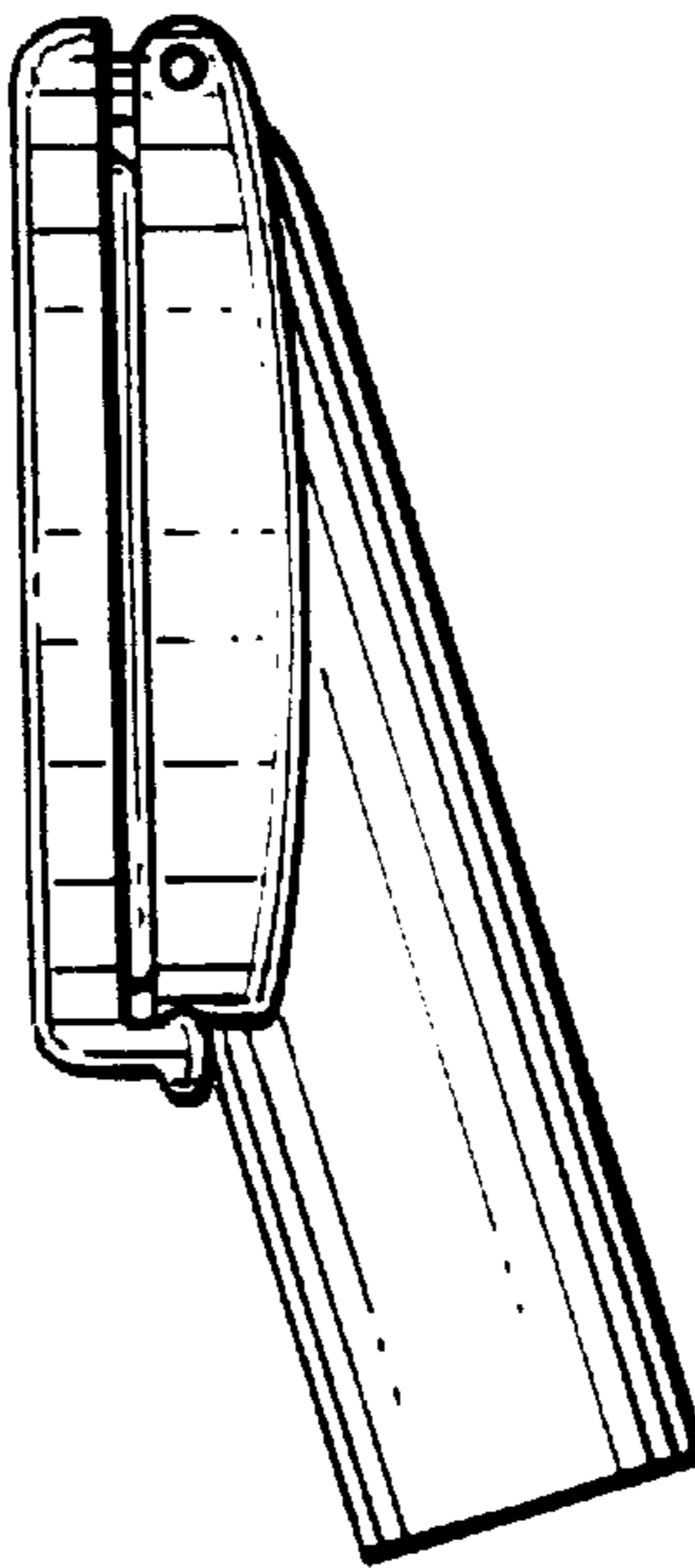


FIG. 12

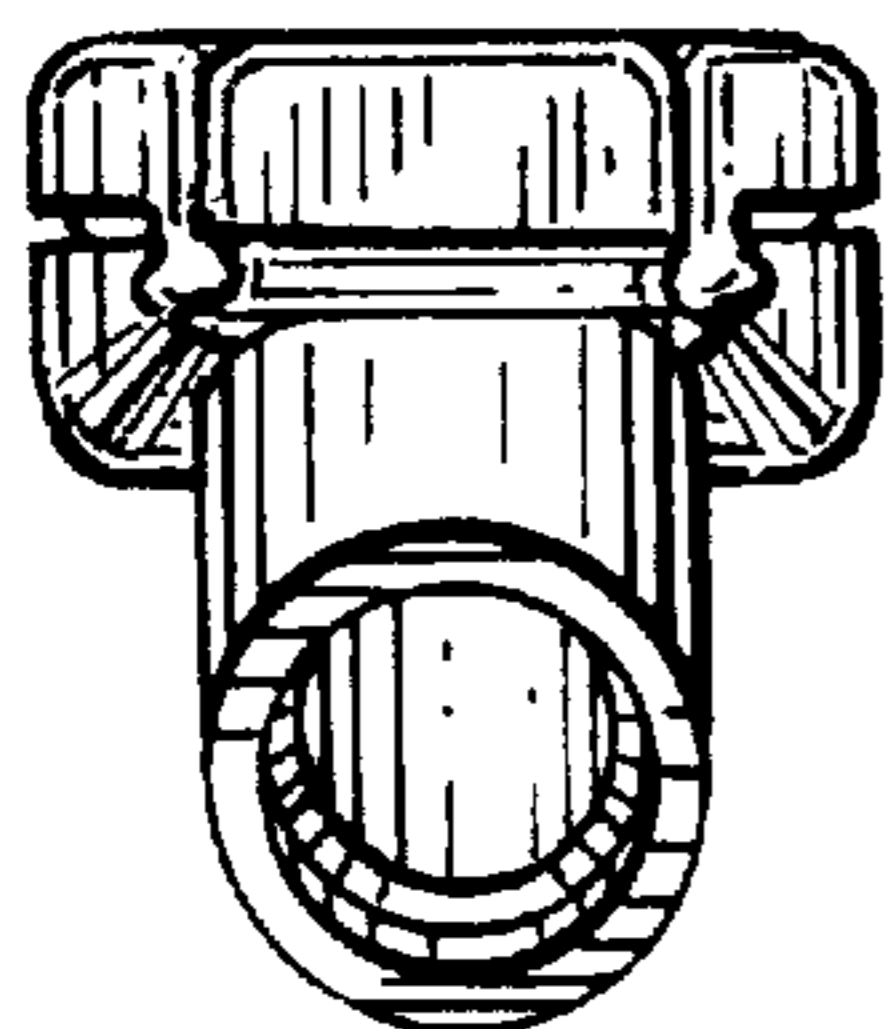


FIG. 8