



US00D405553S

United States Patent [19] Stewart

[11] Patent Number: **Des. 405,553**

[45] Date of Patent: ****Feb. 9, 1999**

[54] **SUSPENDED DECORATIVE LAMP**

D. 360,028 7/1995 Kramer D16/130

[76] Inventor: **Alphonse Stewart**, Protections Equinox
Int'l Inc. 4480, Côte-de-Liesse, Suite
224, Ville Mont-Royal (QC), Canada,
H4N 2R1

OTHER PUBLICATIONS

Multiworld Lighting catalog, Rometea/s suspended lighting
fixture, Group 2900, 1989.

[**] Term: **14 Years**

Primary Examiner—Susan J. Lucas

[21] Appl. No.: **72,380**

[57] CLAIM

[22] Filed: **Jun. 16, 1997**

The ornamental design for a suspended decorative lamp, as
shown and described.

[51] **LOC (6) Cl.** **26-05**

DESCRIPTION

[52] **U.S. Cl.** **D26/88**

FIG. 1 is a front view of a suspended decorative lamp
showing my new design, the rear being a mirror image;

[58] **Field of Search** D26/72, 80-92,
D26/118, 128, 130; 362/147, 404-408

FIG. 2 is a bottom view thereof;

[56] References Cited

U.S. PATENT DOCUMENTS

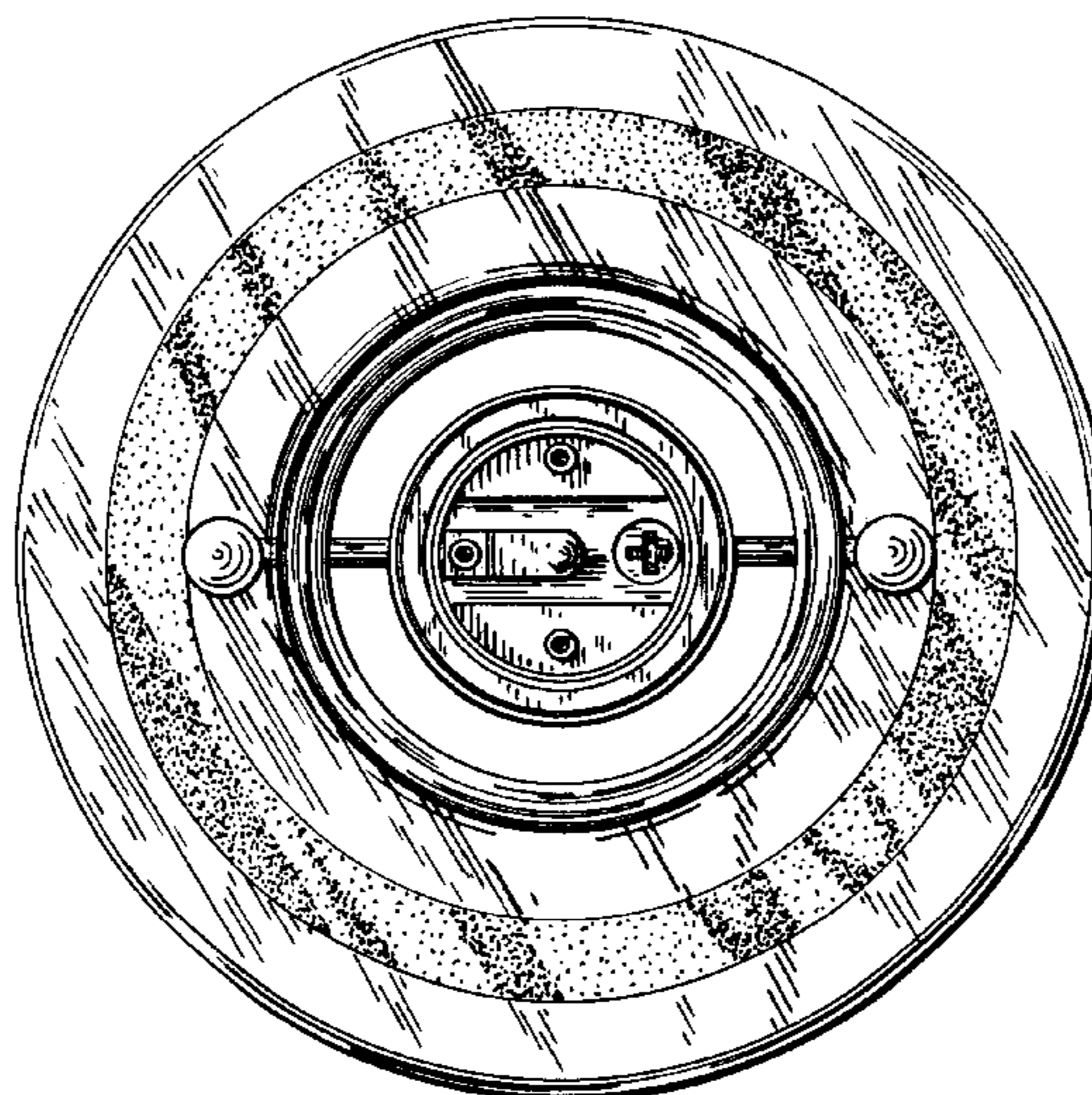
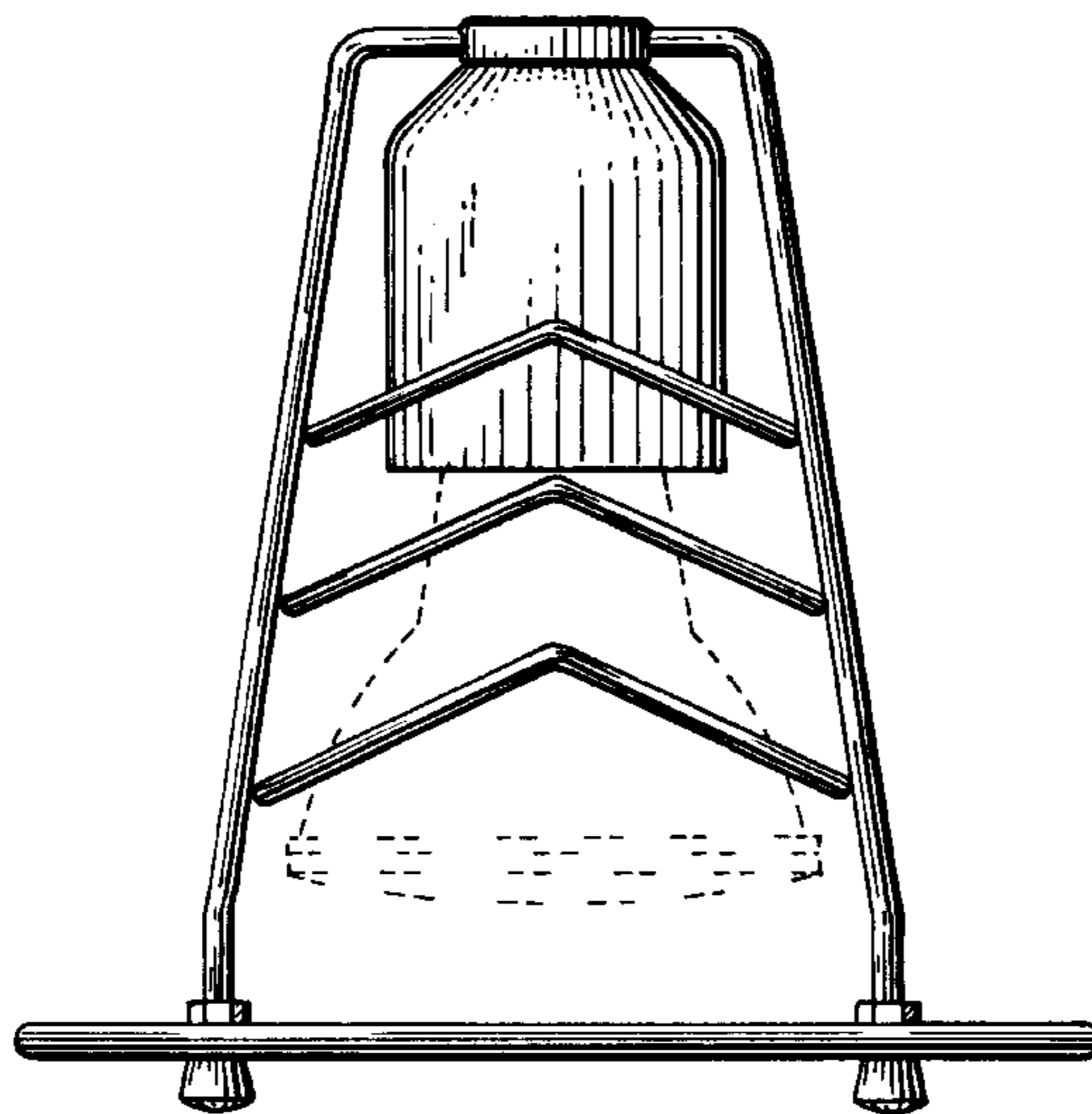
FIG. 3 is a side elevational view thereof, the opposite side
being a mirror image; and,

- D. 100,981 8/1936 Biller D26/129
- D. 132,865 6/1942 Drollinger D26/88 X
- D. 264,136 4/1982 Castiglioni D26/85
- D. 268,209 3/1983 Reistetter et al. D26/85

FIG. 4 is a top view thereof.

The broken line showing of a bulb in a FIGS. 1 and 3 is for
illustrative purposes only and forms no part of the claimed
design.

1 Claim, 2 Drawing Sheets



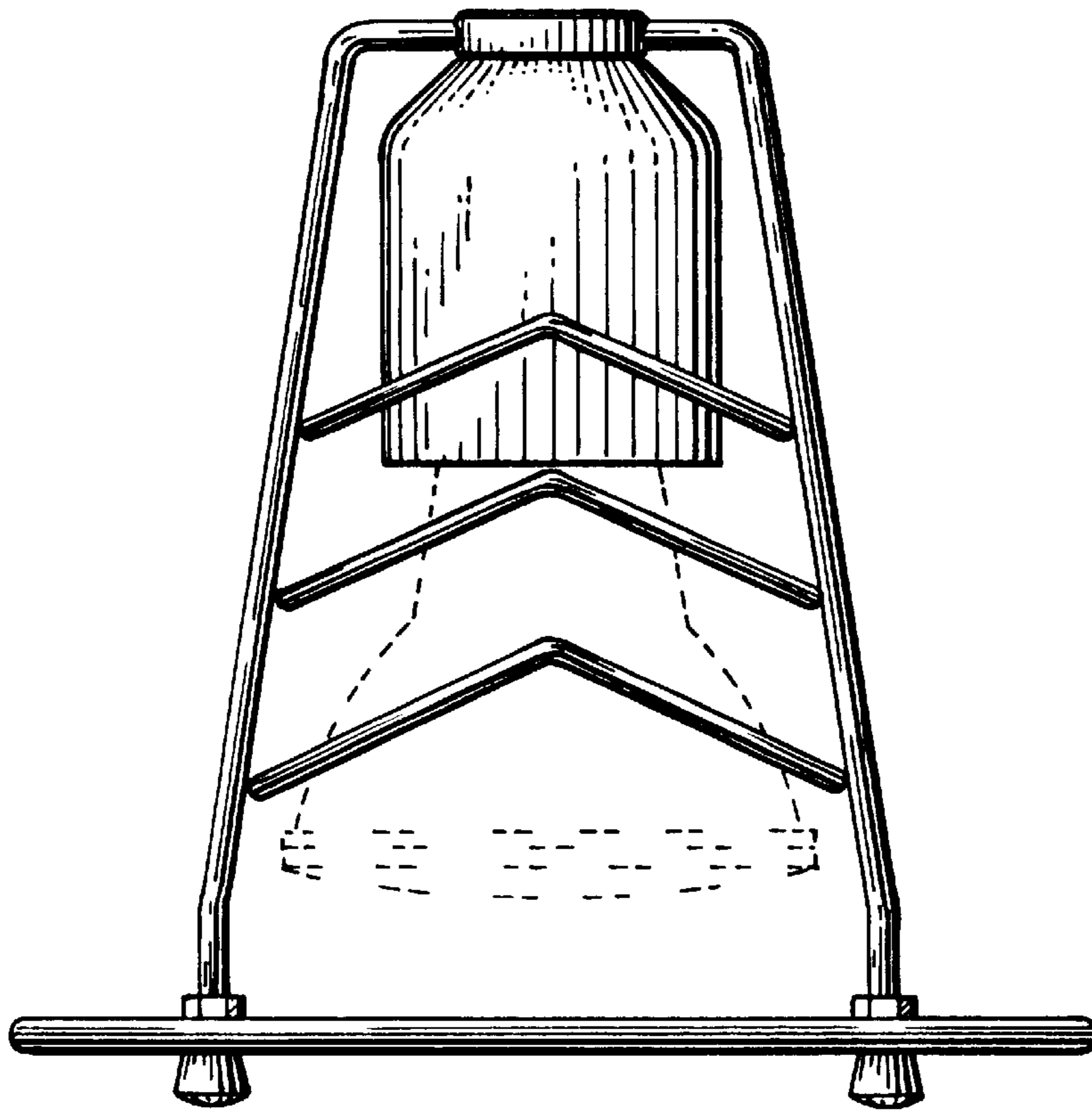


Fig.1

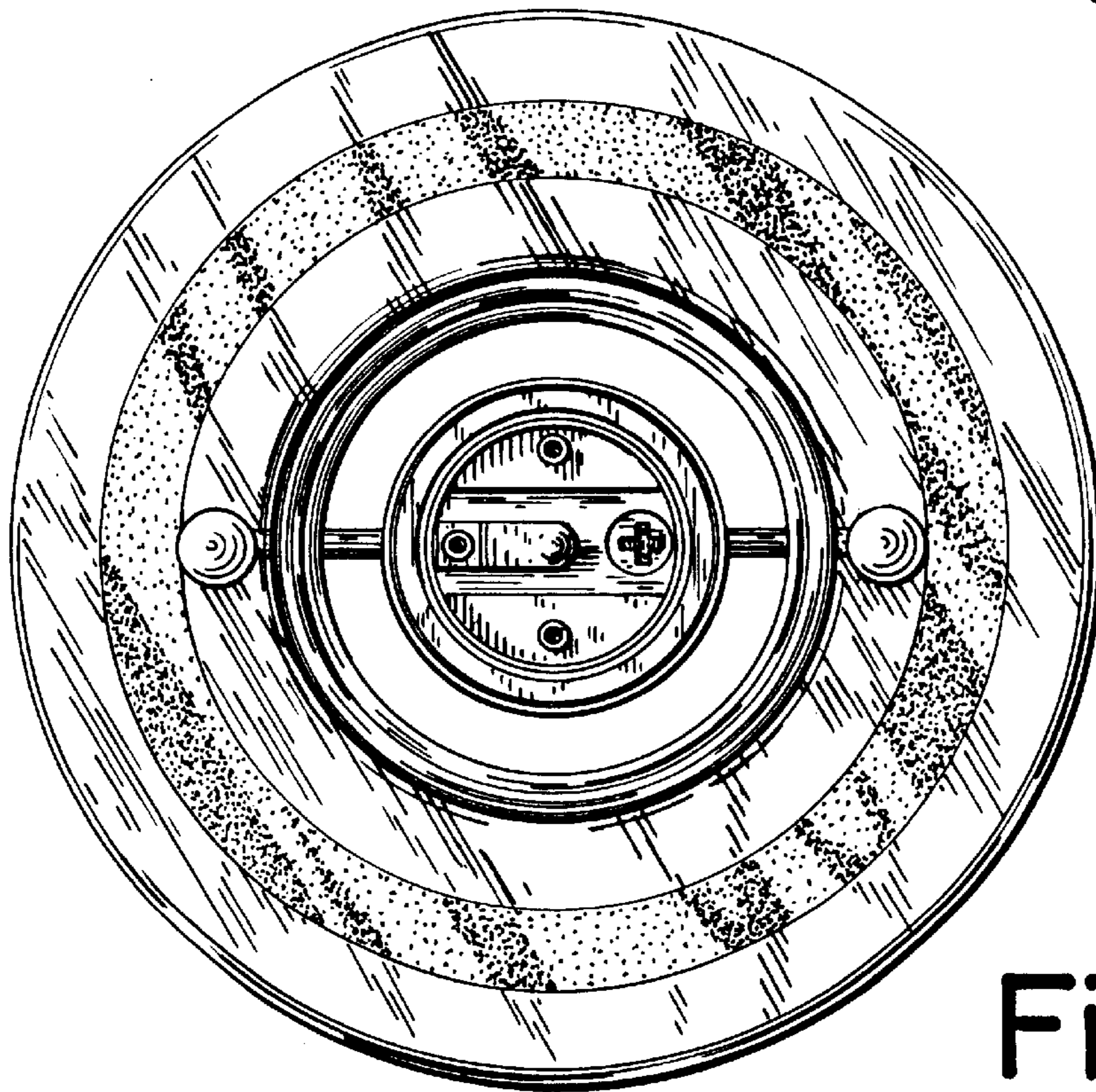


Fig.2

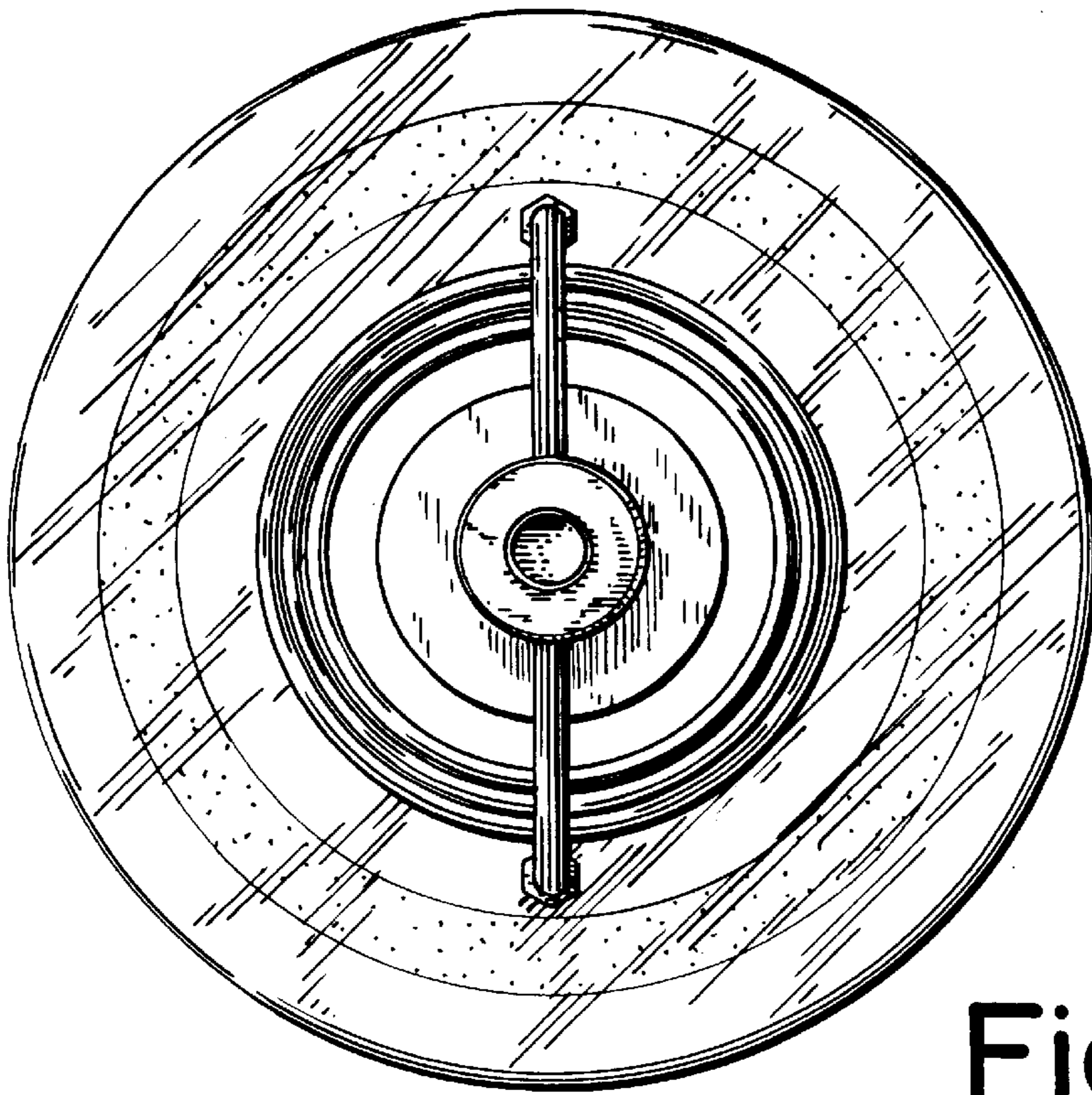


Fig.4

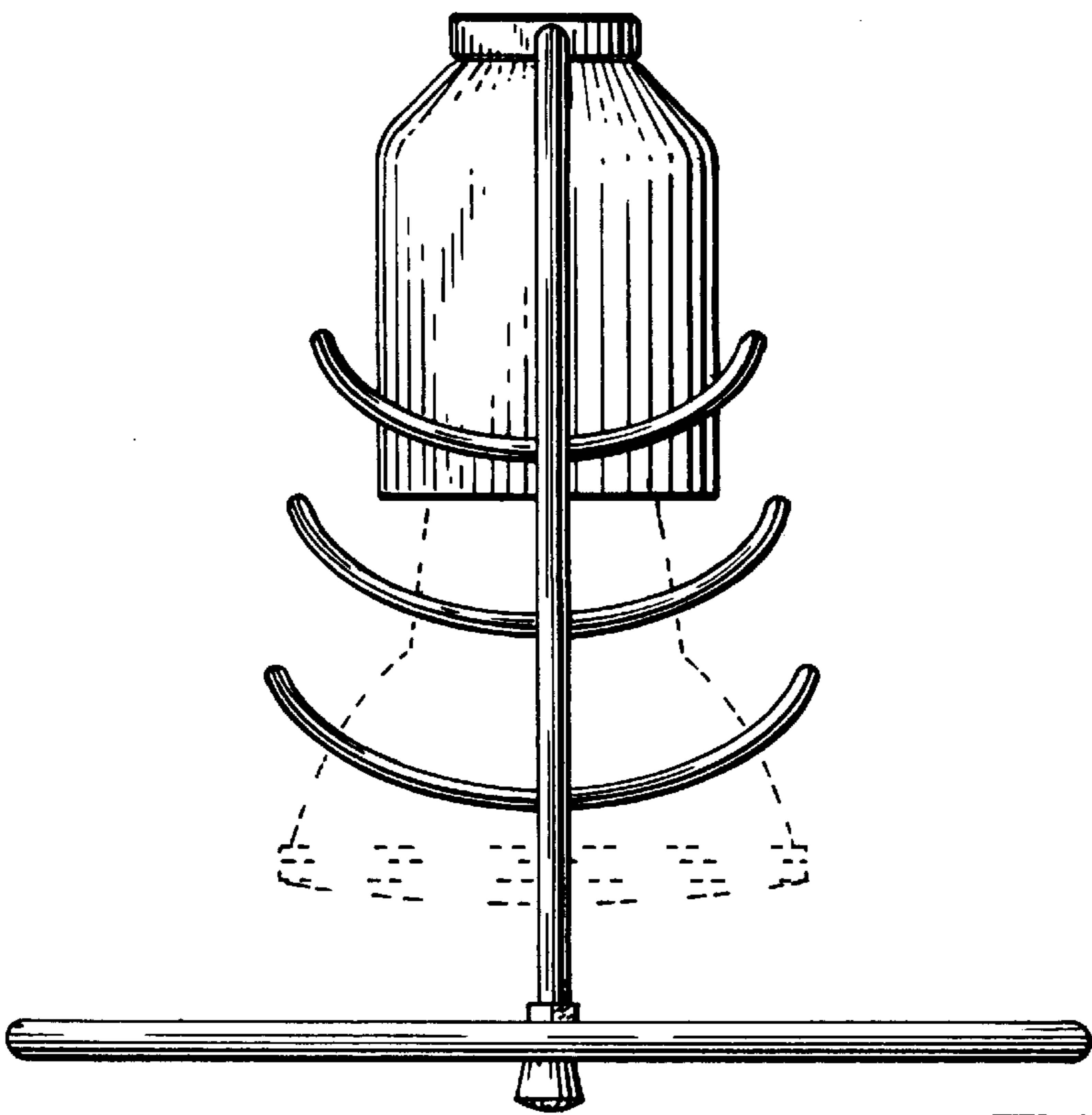


Fig.3