



US00D405551S

United States Patent [19]

Lynch et al.

[11] Patent Number: **Des. 405,551**

[45] Date of Patent: ****Feb. 9, 1999**

[54] **RECHARGEABLE FLASHLIGHT**

D. 375,569 11/1996 Hwang D26/37
D. 390,678 2/1998 Matthes D26/37

[75] Inventors: **Peter F. Lynch**, Skaneateles; **Mark A. Ferguson**, Jamesville; **David A. Furth**, Skaneateles, all of N.Y.

Primary Examiner—Marcus A. Jackson
Attorney, Agent, or Firm—Robert W. Welsh

[73] Assignee: **Eveready Battery Company, Inc.**, St. Louis, Mo.

[57] **CLAIM**

The ornamental design for a rechargeable flashlight, as shown and described.

[**] Term: **14 Years**

DESCRIPTION

[21] Appl. No.: **54,930**

FIG. 1 is a perspective view of one embodiment of a rechargeable flashlight;
FIG. 2 is a plan view of a rechargeable flashlight shown in FIG. 1;
FIG. 3 is a side view of a rechargeable flashlight shown in FIG. 1, the side opposite being a mirror image thereof;
FIG. 4 is an end view of a rechargeable flashlight shown in FIG. 2;
FIG. 5 is an opposite end view of a rechargeable flashlight shown in FIG. 4; and,
FIG. 6 is a plan view of a rechargeable flashlight opposite that shown in FIG. 2.

[22] Filed: **May 24, 1996**

[51] **LOC (6) Cl.** **26-02**

[52] **U.S. Cl.** **D26/37**

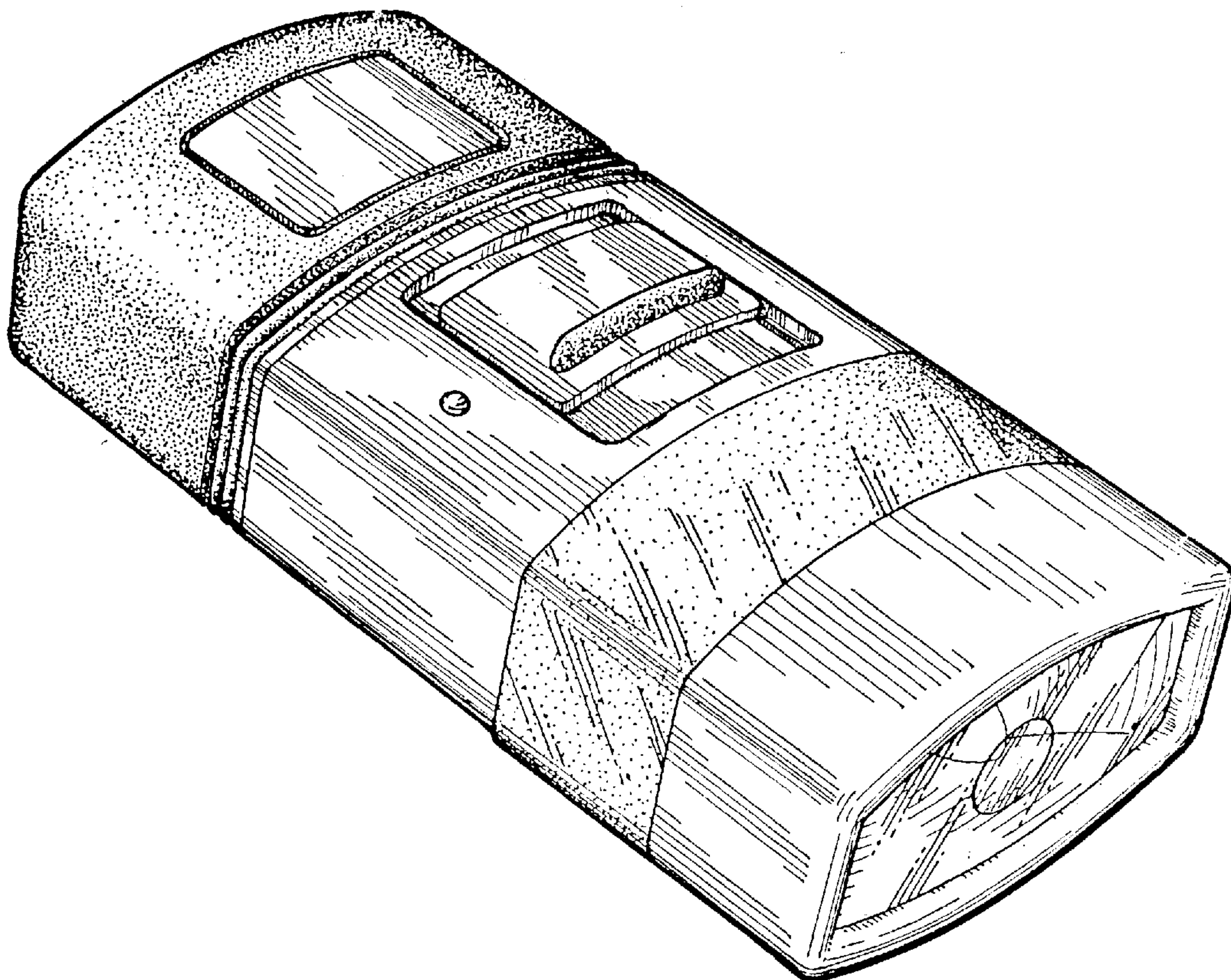
[58] **Field of Search** D26/37-50; 362/157, 362/158, 103, 108, 109, 183-208

[56] **References Cited**

U.S. PATENT DOCUMENTS

- D. 361,633 8/1995 Chabria D26/37
- D. 362,816 10/1995 Yuen D26/37
- D. 374,492 10/1996 Coe D26/37

1 Claim, 2 Drawing Sheets



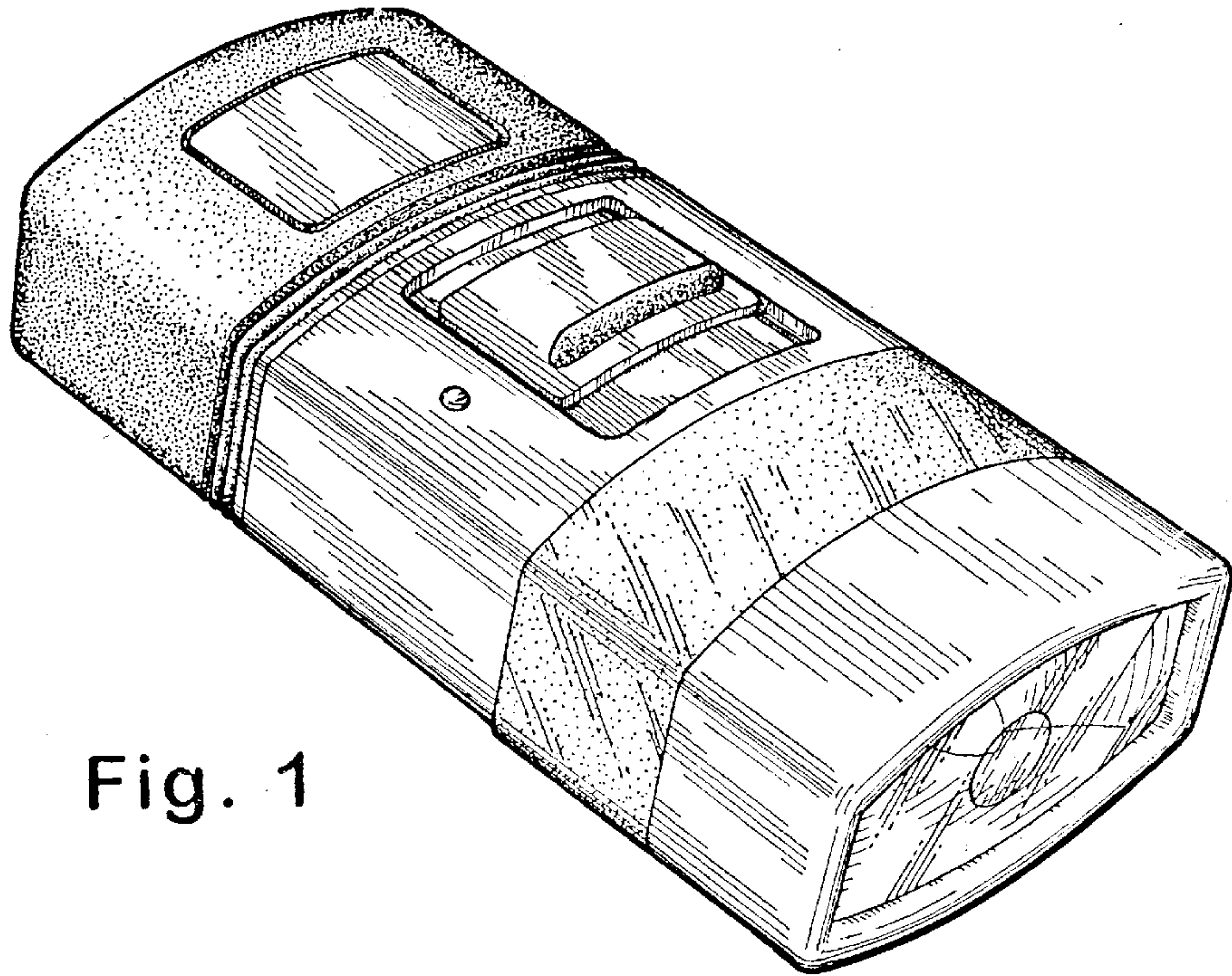


Fig. 1

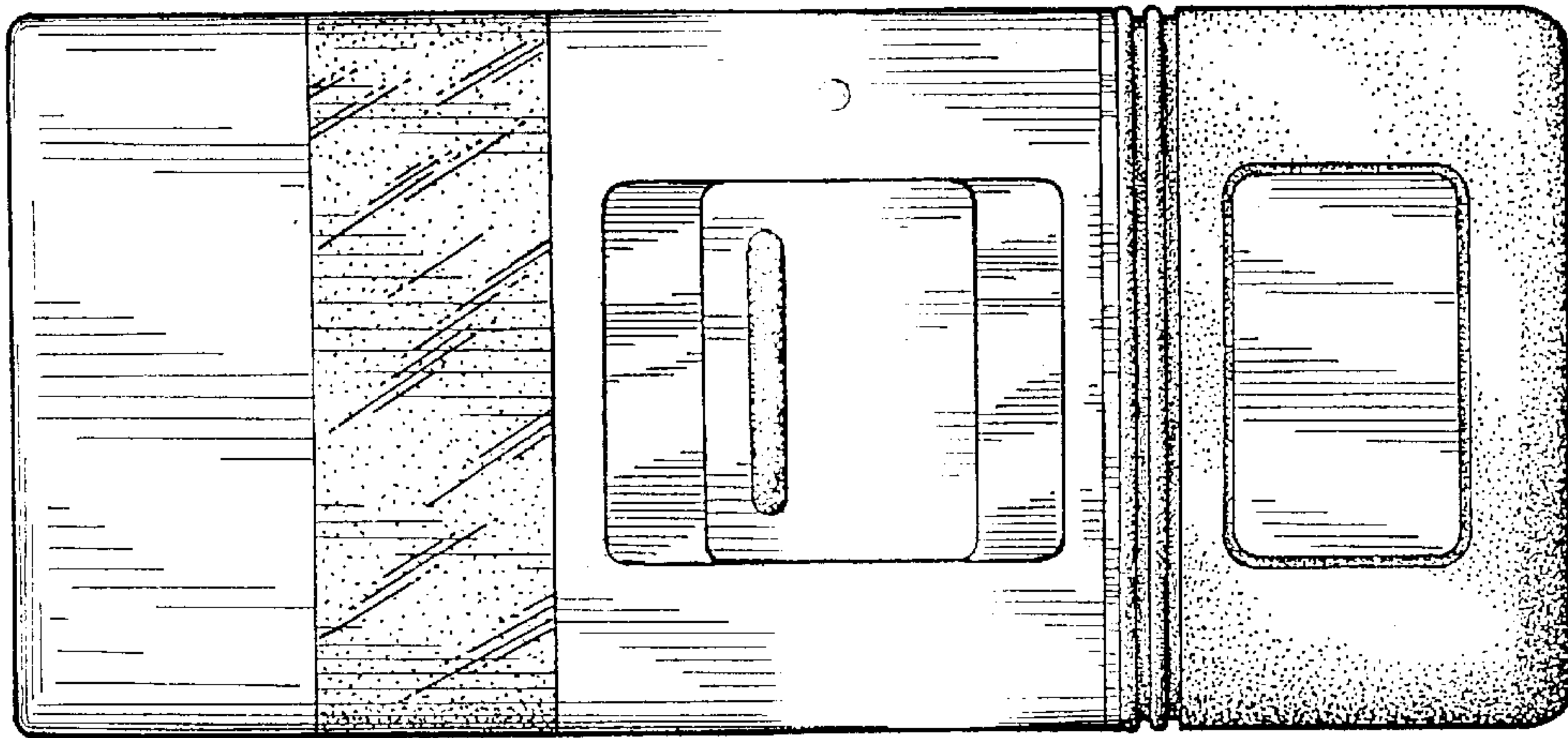


Fig. 2

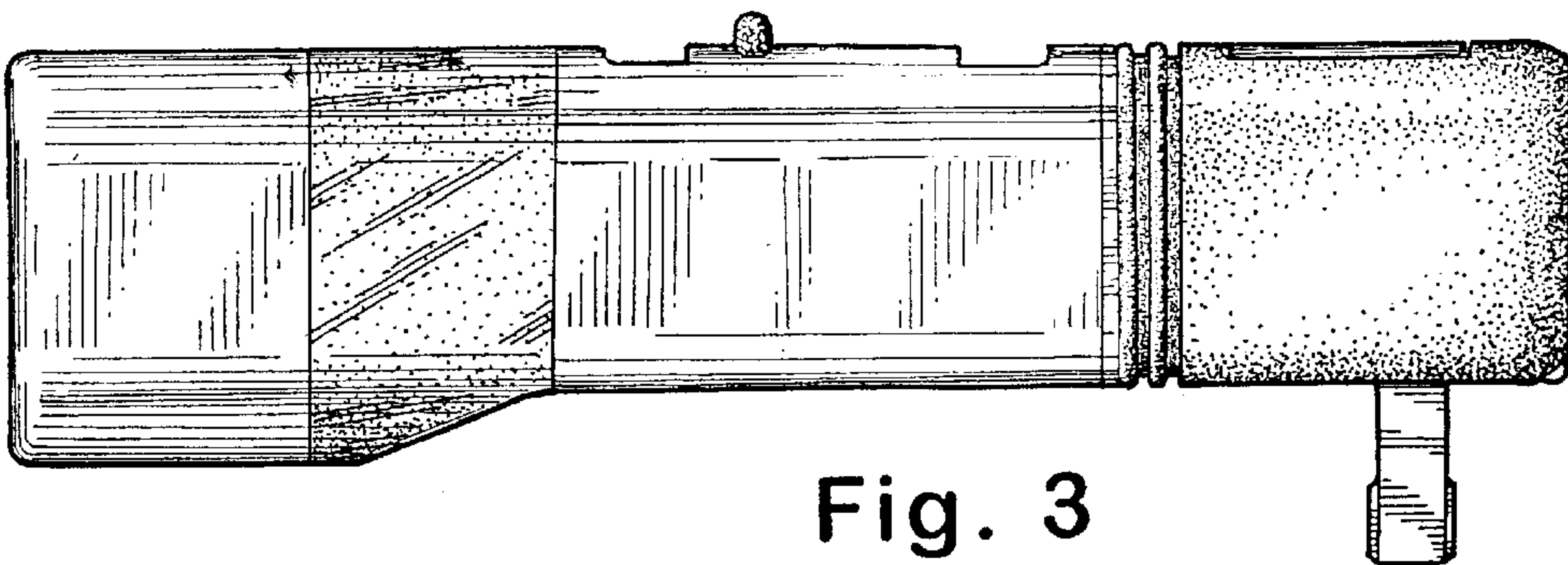


Fig. 3

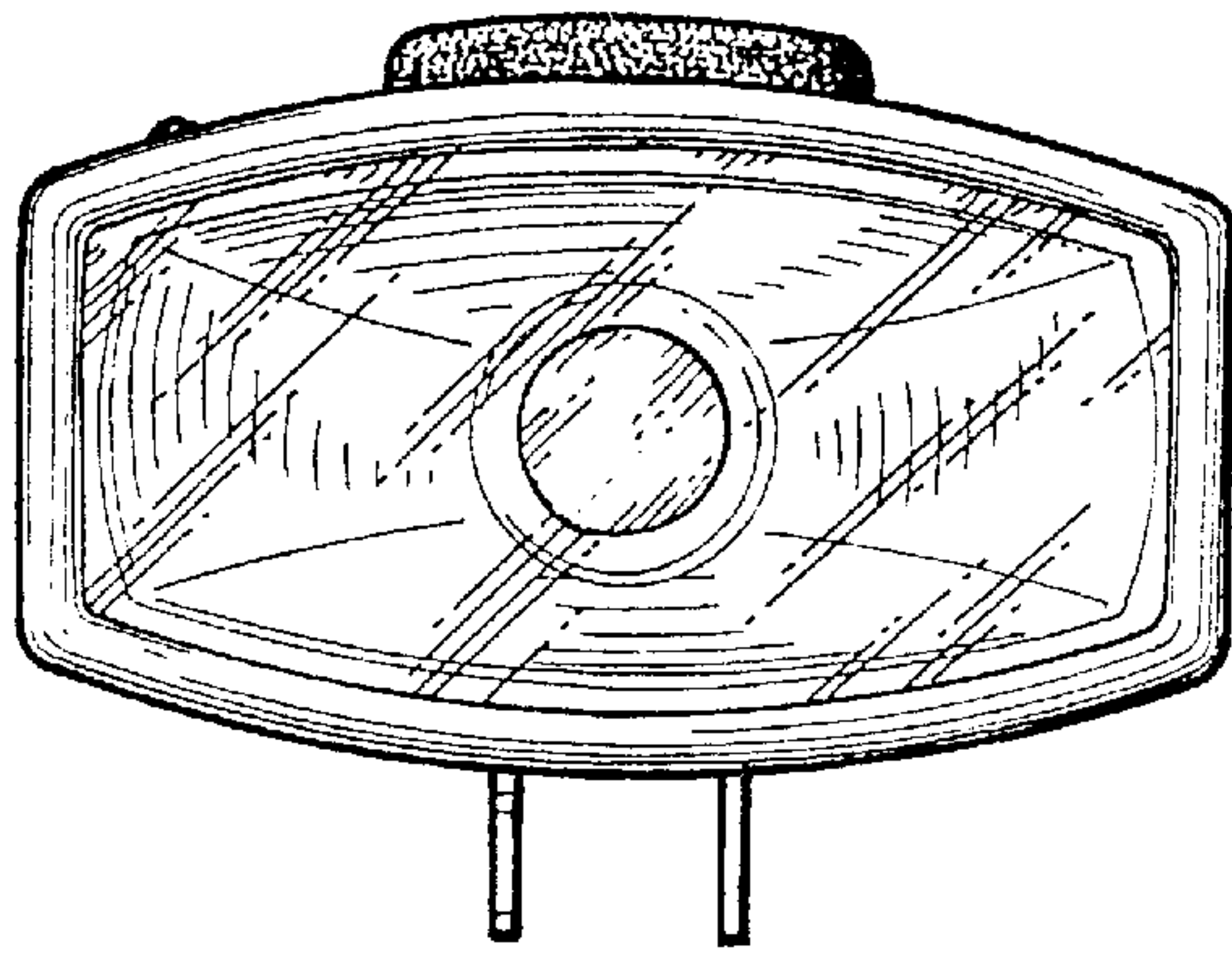


Fig. 4

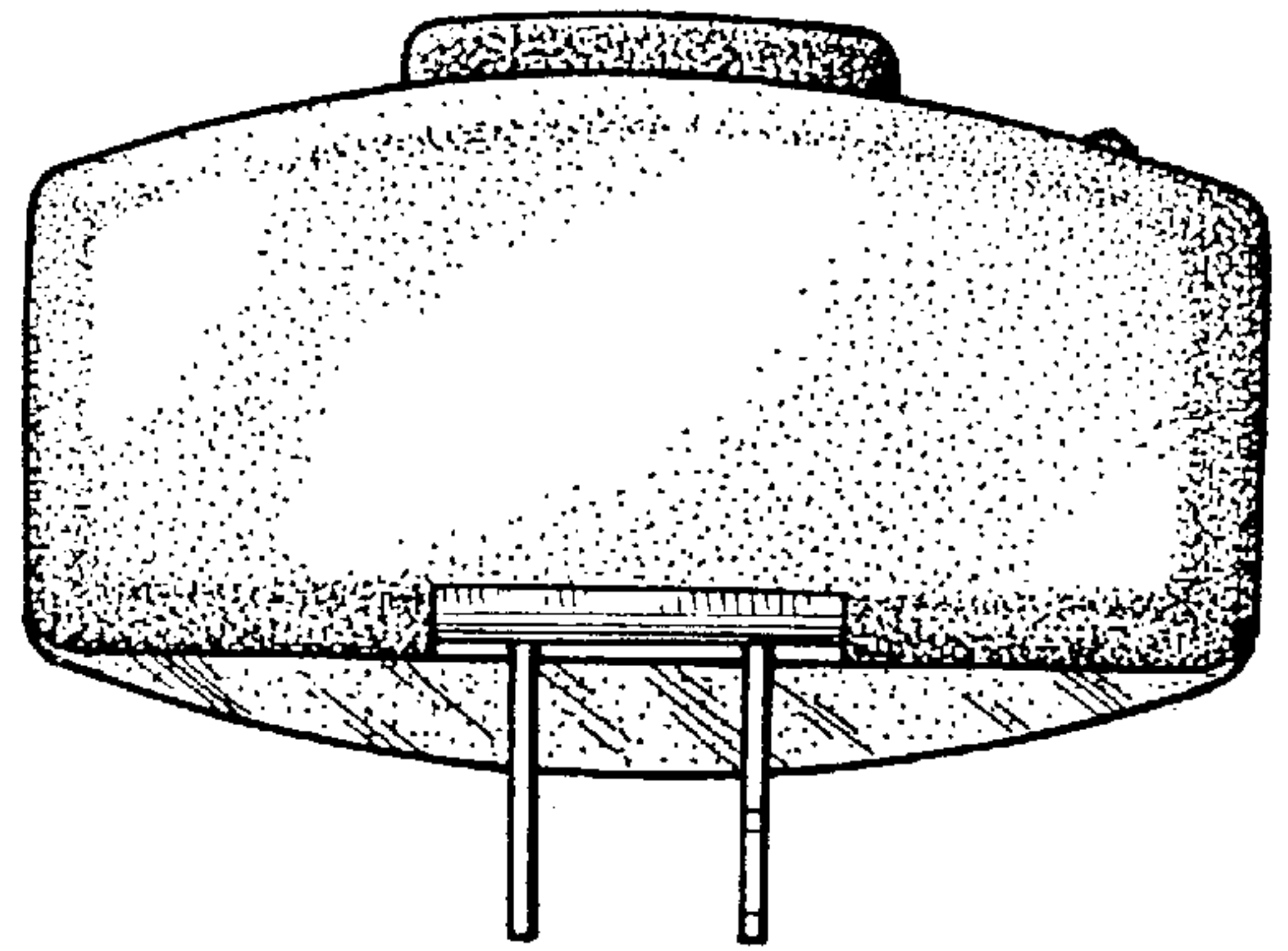


Fig. 5

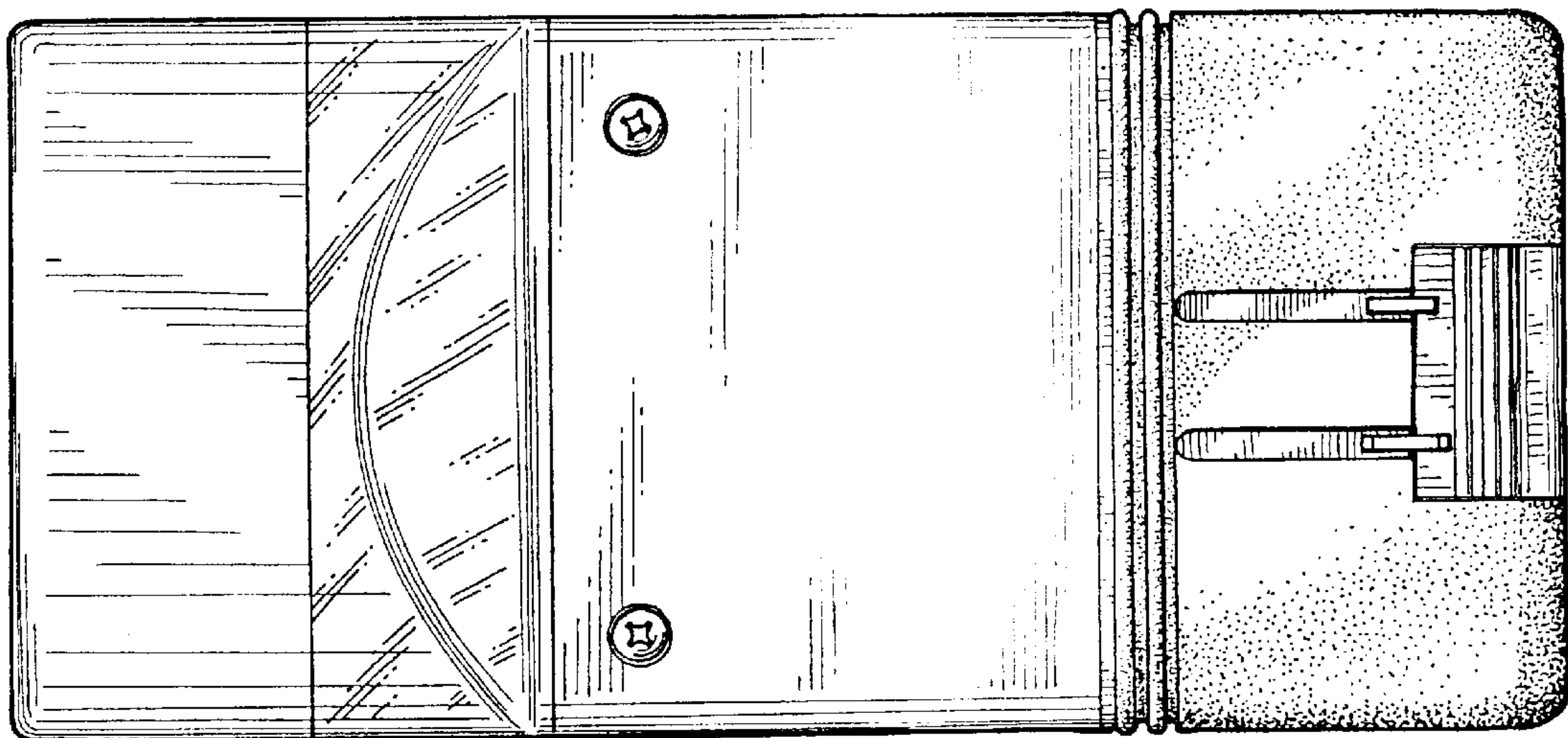


Fig. 6

UNITED STATES PATENT AND TRADEMARK OFFICE
CERTIFICATE OF CORRECTION

PATENT NO. : D.405,551
DATED : February 9, 1999
INVENTOR(S) : Peter F. Lynch et al.

Page 1 of 1

It is certified that error appears in the above-identified patent and that said Letters Patent is hereby corrected as shown below:

Title Page:

“Inventors: Peter F. Lynch, Skaneateles; Mark A. Ferguson, Jamesville; David A. Furth, Skaneateles, all of N.Y.” should be --Peter F. Lynch, Skaneateles; Mark A. Ferguson, Jamesville; David A. Furth, Skaneateles; Scott W. Osiecki, Skaneateles, all of N.Y.--.

Signed and Sealed this
Nineteenth Day of June, 2001

Attest:

Nicholas P. Godici

Attesting Officer

NICHOLAS P. GODICI
Acting Director of the United States Patent and Trademark Office