



US00D405547S

United States Patent [19]
Dobija

[11] **Patent Number: Des. 405,547**

[45] **Date of Patent: **Feb. 9, 1999**

[54] **PANEL WALL HAVING SUPPORT TRIM RAILS**

[75] Inventor: **Michael J. Dobija**, Laguna Beach, Calif.

[73] Assignee: **Commerical and Architectural Products, Inc.**, Dover, Ohio

[**] Term: **14 Years**

[21] Appl. No.: **71,490**

[22] Filed: **May 30, 1997**

Related U.S. Application Data

[63] Continuation of Ser. No. 473,645, Jun. 7, 1995, Pat. No. 5,694,727.

[51] **LOC (6) Cl. 25-01**

[52] **U.S. Cl. D25/138**

[58] **Field of Search** D25/138; 52/506.01, 52/287.1, 461, 468, 716.8, 235, 386, 390, 384, 388, 464, 313, 716.1

References Cited

U.S. PATENT DOCUMENTS

D. 317,210	5/1991	Rodriguez et al.	D25/138
D. 337,834	7/1993	Kearns	D25/138
2,073,795	3/1937	Haugaard	52/385
2,101,612	12/1937	Duffy	52/386
2,569,902	10/1951	Rienau et al.	52/385
4,765,111	8/1988	Osawa	52/387
4,783,941	11/1988	Loper et al.	52/235
4,854,095	8/1989	Michlovic	52/235
5,155,958	10/1992	Huff	52/235

Primary Examiner—Doris Clark
Attorney, Agent, or Firm—Pearne, Gordon, McCoy & Granger LLP

[57] **CLAIM**

The ornamental design for a panel wall having support trim rails, as shown and described.

DESCRIPTION

FIG. 1 is a fragmentary side, top and front perspective view of a first embodiment of a typical portion of a panel wall having support trim rails showing my new design, the partial broken line depiction of the base portion of the rails being for illustrative purposes only and forming no part of the claimed design;

FIG. 2 is an enlarged fragmentary front perspective view of the intersecting area of the support trim rails and adjacent portions of the panel;

FIG. 3 is a fragmentary front elevational view thereof;

FIG. 4 is a fragmentary right side elevational view, the left side elevational view being identical;

FIG. 5 is a fragmentary bottom plan view thereof;

FIG. 6 is an enlarged fragmentary perspective view of the right top of the panel wall and trim rail in FIG. 1;

FIG. 7 is a fragmentary front elevational view of FIG. 6;

FIG. 8 is an enlarged fragmentary perspective view of a second embodiment of the design of FIG. 1 showing a non-chamfered panel edge; the overall arrangement being generally similar to the showing in FIGS. 1-5; and,

FIG. 9 is a fragmentary front elevational view of FIG. 8.

The pattern of the panel wall having support trim rails disclosed in FIG. 1 of the drawing is repetitive throughout the width and length of the design.

1 Claim, 4 Drawing Sheets





Fig.1

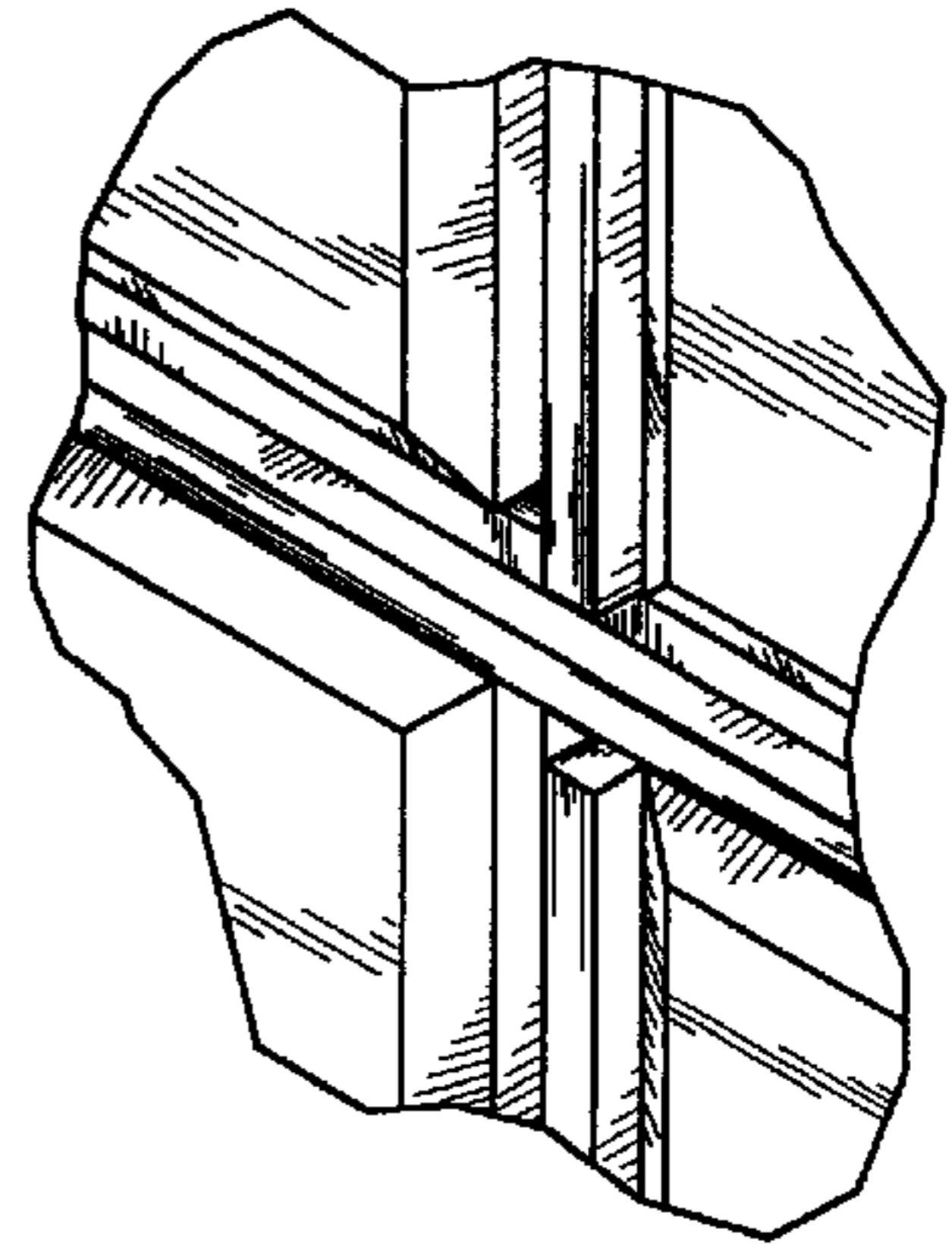


Fig.2

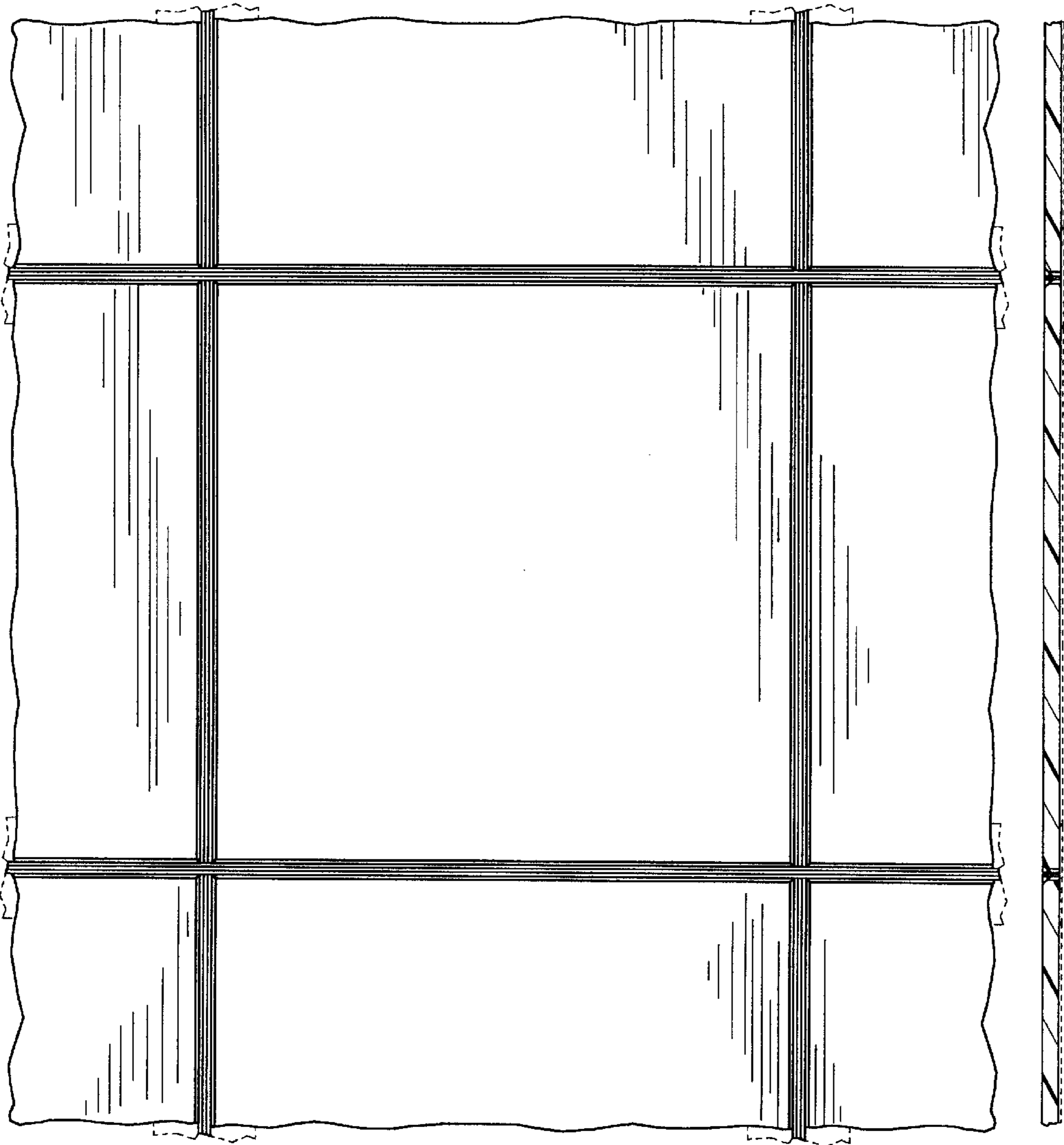


Fig.3

Fig.4

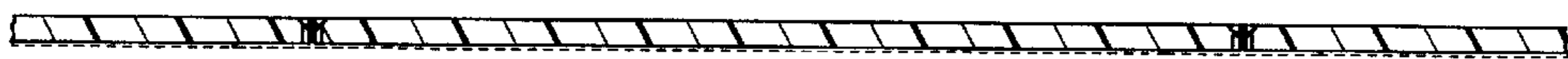


Fig.5

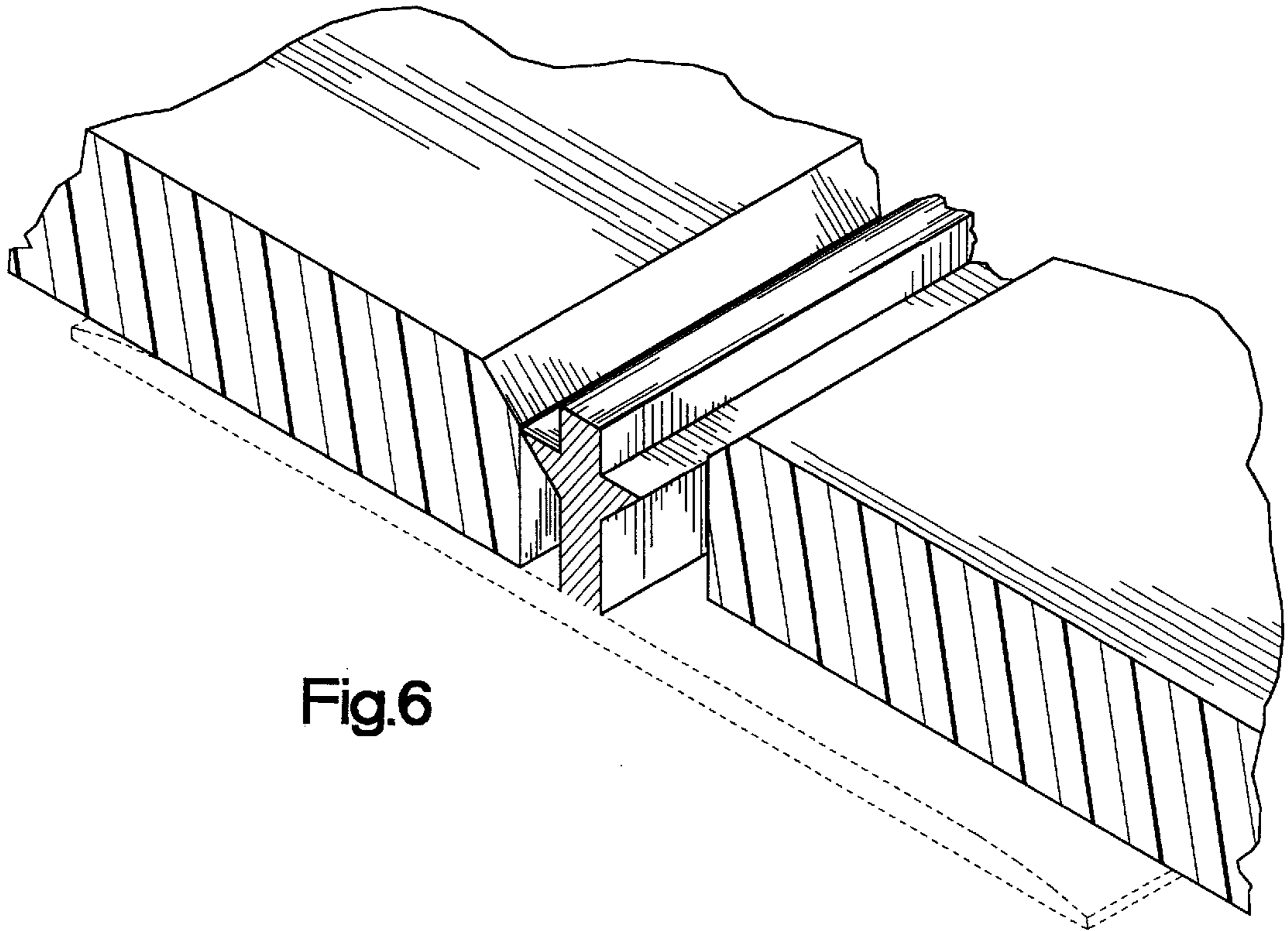


Fig.6

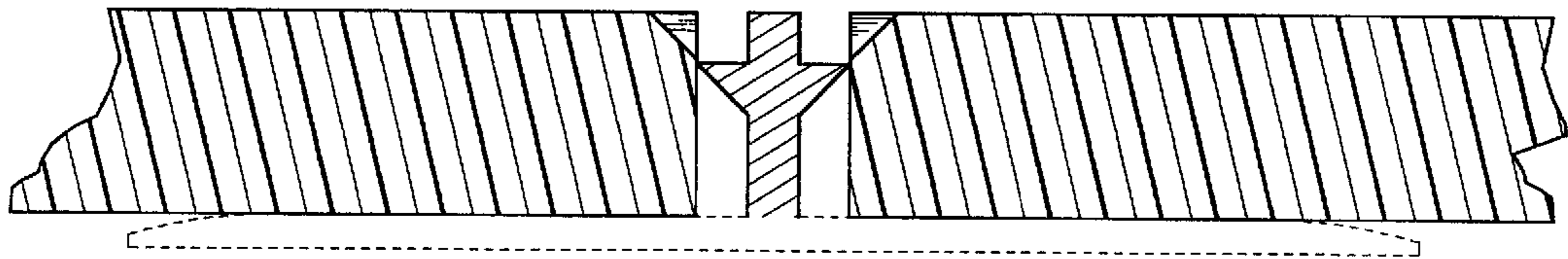


Fig.7

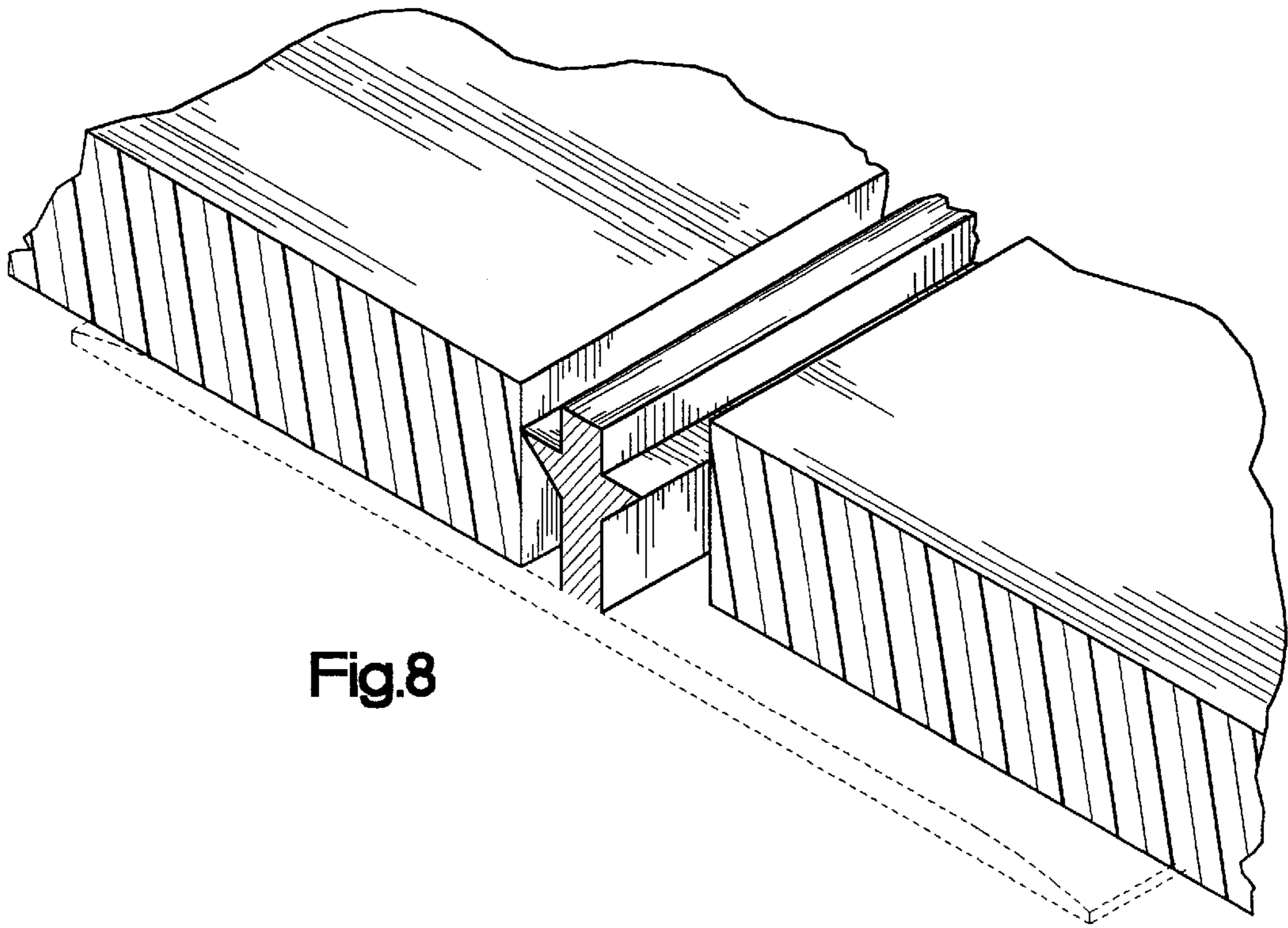


Fig. 8

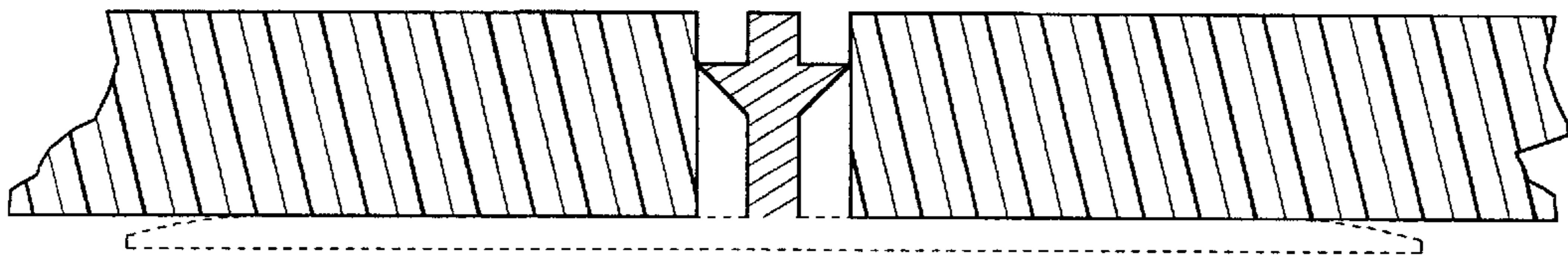


Fig. 9