



US00D405546S

United States Patent [19] Forbis

[11] **Patent Number: Des. 405,546**

[45] **Date of Patent: **Feb. 9, 1999**

[54] **FENCE PLANK**

[75] Inventor: **John T. Forbis**, York, Nebr.

[73] Assignee: **Kroy Building Products, Inc.**, York, Nebr.

[**] Term: **14 Years**

[21] Appl. No.: **73,566**

[22] Filed: **Jul. 9, 1997**

[51] **LOC (6) Cl.** **25-01**

[52] **U.S. Cl.** **D25/126**

[58] **Field of Search** D25/138, 139,
D25/58, 124, 113, 114, 118, 126, 38, 39;
256/73, 24; 52/284, 342, 404.1, 460

[56] **References Cited**

U.S. PATENT DOCUMENTS

D. 329,914	9/1992	Veilleux	D25/138
3,267,626	8/1966	Daley	D25/58
3,557,509	1/1971	Blaski	D25/58
5,149,061	9/1992	Borgnini	256/24
5,480,126	1/1996	Teasdale	256/24

Primary Examiner—Doris Clark

Attorney, Agent, or Firm—Thorpe, North & Western, L.L.P.

[57] **CLAIM**

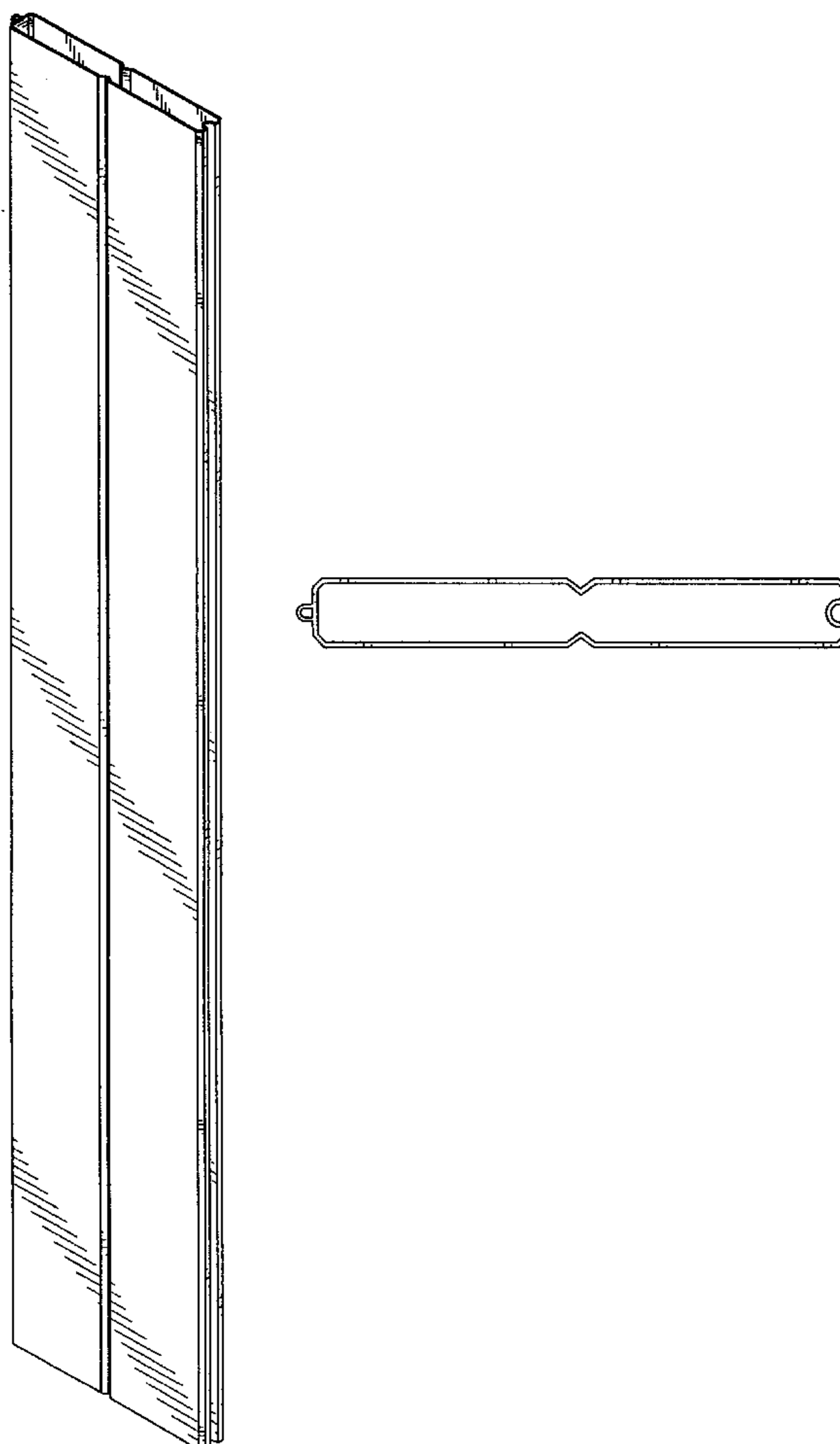
I claim the ornamental design for a fence plank, as shown and described.

DESCRIPTION

FIG. 1 is a perspective view thereof;
FIG. 2 is a front view thereof;
FIG. 3 is a rear view thereof;
FIG. 4 is a right side view thereof;
FIG. 5 is a left side view thereof;
FIG. 6 is an upper end view thereof; and,
FIG. 7 is a lower end view thereof.

The characteristic features of the design resides in the ornamental combination of the corner sections of the plank each being characterized by a beveled corner piece intercoupling nonparallel, substantially perpendicular side and end pieces such that each corner is characterized by an absence of any structure extending directly from the beveled corner piece in a parallel orientation relative to the side piece, the ornamental combination further including a V-groove formed along a centerline of each side piece with all beveled corners and V-grooves forming identical angles relative to the sides of the plank and being identical in width.

1 Claim, 3 Drawing Sheets



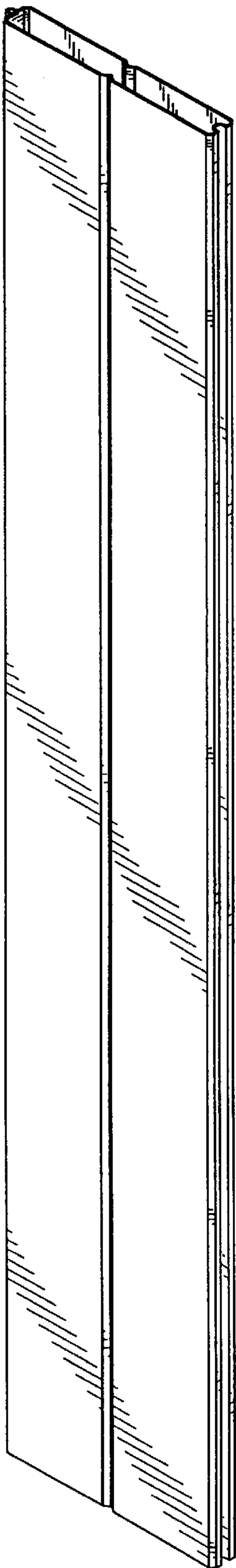


Fig. 1

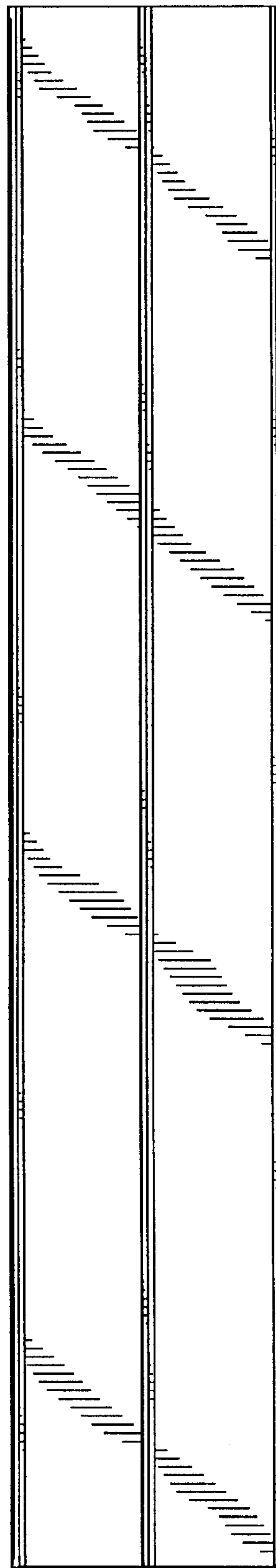


Fig. 2

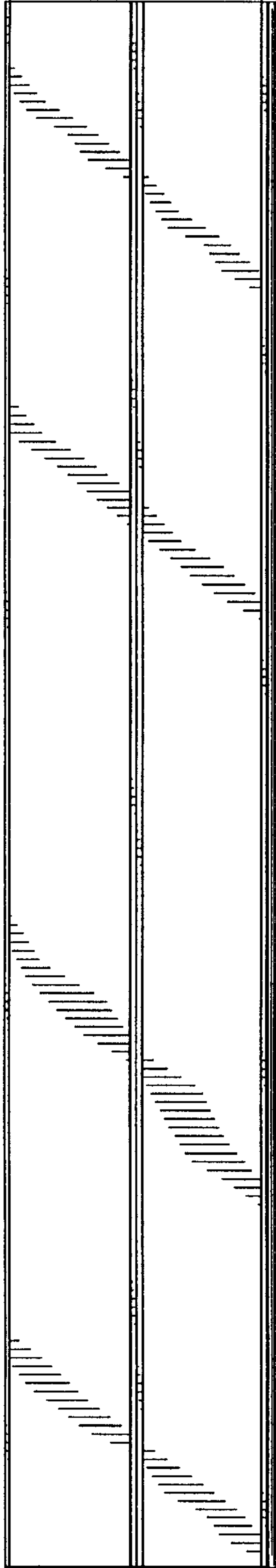


Fig. 3



Fig. 4



Fig. 5

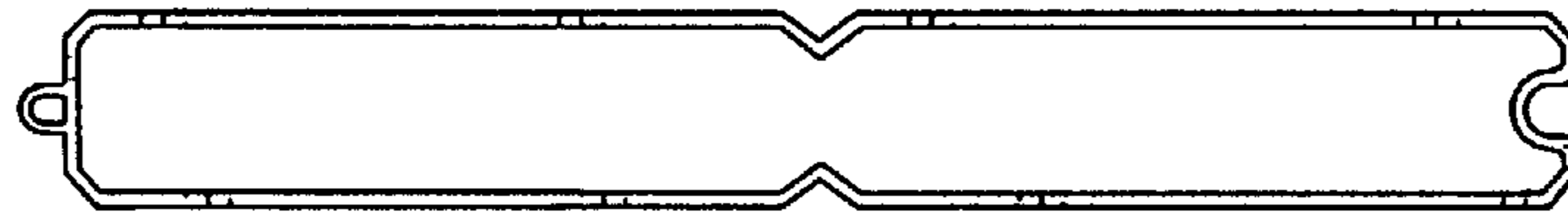


Fig. 6

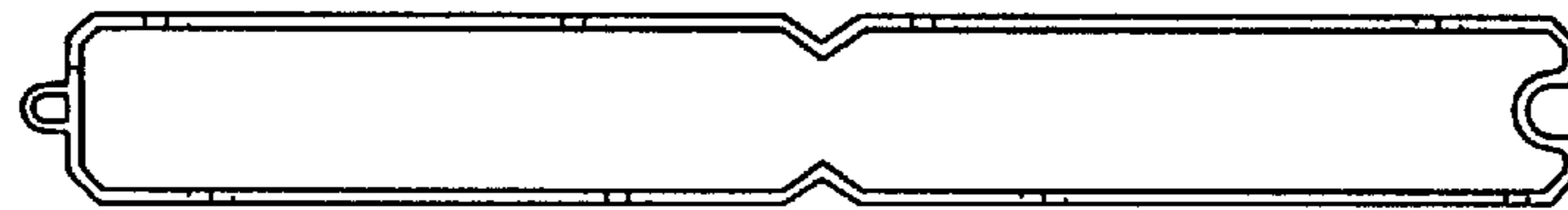


Fig. 7