



US00D405544S

United States Patent [19]

Magnusson et al.

[11] **Patent Number:** **Des. 405,544**

[45] **Date of Patent:** ****Feb. 9, 1999**

[54] **TRIM PIECE FOR AN OFFICE FURNITURE SYSTEM**

[75] Inventors: **Carl G. Magnusson**, New York, N.Y.;
David P. Noel, Muskegon, Mich.;
Walter C. Mrotz, III, North
Muskegon, Mich.; **Paul A.**
Glashouwer, Byron Center, Mich.

[73] Assignee: **Knoll, Inc.**, East Greenville, Pa.

[**] Term: **14 Years**

[21] Appl. No.: **72,171**

[22] Filed: **Jun. 5, 1997**

[51] **LOC (6) Cl.** **25-01**

[52] **U.S. Cl.** **D25/121**

[58] **Field of Search** 52/716.8, 716.1,
52/465, 241, 242; D25/136, 121, 119

[56] **References Cited**

U.S. PATENT DOCUMENTS

D. 272,711	2/1984	Griset	D25/121
4,787,767	11/1988	Wendt	52/241
4,993,205	2/1991	Dull et al. .	
4,996,811	3/1991	Dull et al. .	
5,003,740	4/1991	Dull et al. .	
5,005,325	4/1991	Dull et al. .	
5,056,577	10/1991	DeLong et al. .	
5,175,969	1/1993	Knauf et al. .	
5,347,778	9/1994	Bray	52/241

Primary Examiner—Doris Clark
Attorney, Agent, or Firm—Buchanan Ingersoll, P.C.

[57] **CLAIM**

The ornamental design for a trim piece for an office furniture system, as shown and described.

DESCRIPTION

FIG. 1 is a perspective view of a trim piece for an office furniture system showing our new design;

FIG. 2 is a left side elevational view thereof, the right side being a mirror image thereof;

FIG. 3 is a top plan view thereof;

FIG. 4 is a front elevational view thereof, the rear view being a mirror image thereof;

FIG. 5 is a bottom plan view thereof;

FIG. 6 is a perspective view of an alternate embodiment of our new design;

FIG. 7 is a left side elevational view thereof, the right side being a mirror image thereof;

FIG. 8 is a top plan view thereof;

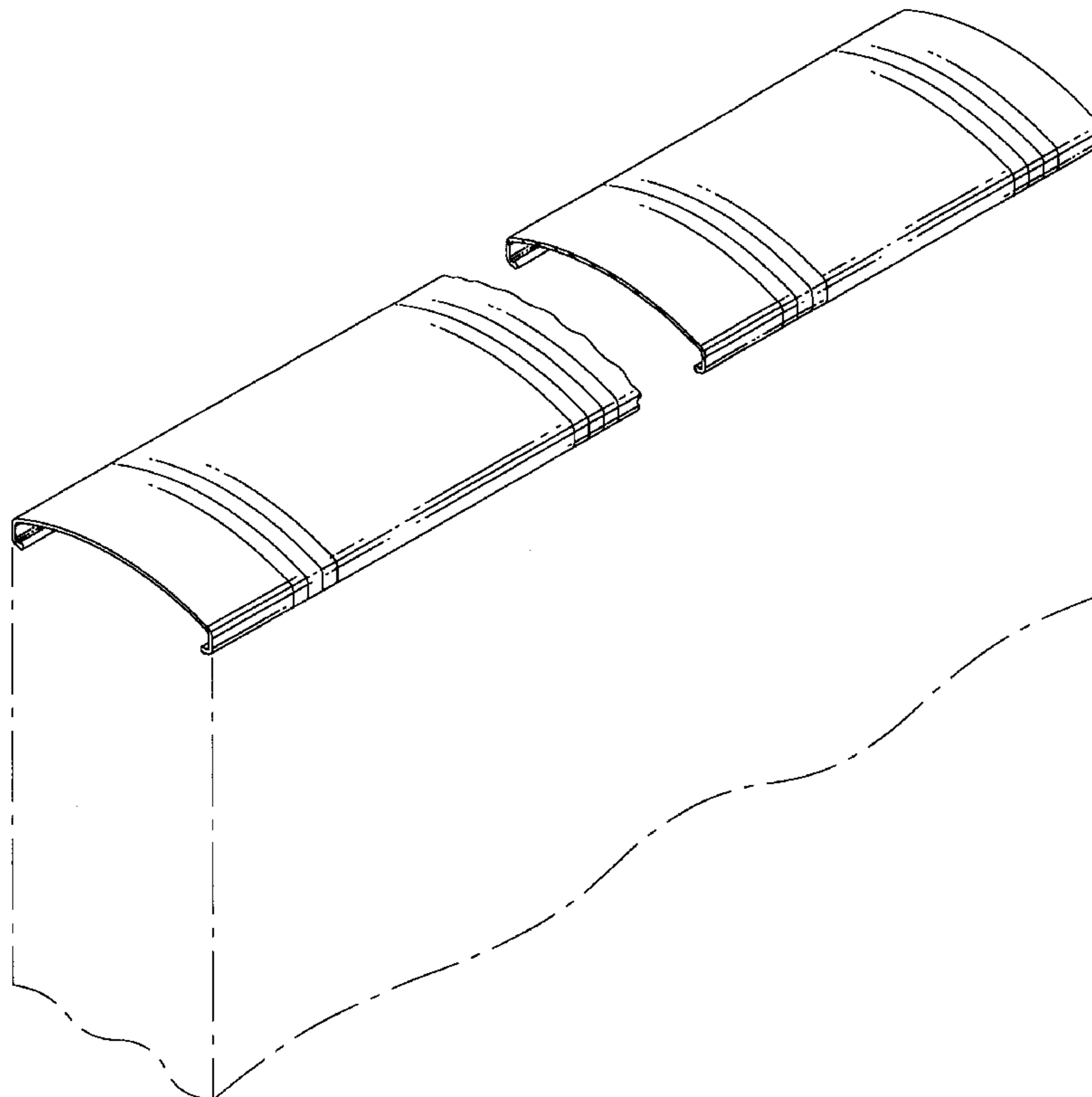
FIG. 9 is a front elevational view thereof, the rear view being a mirror image thereof; and,

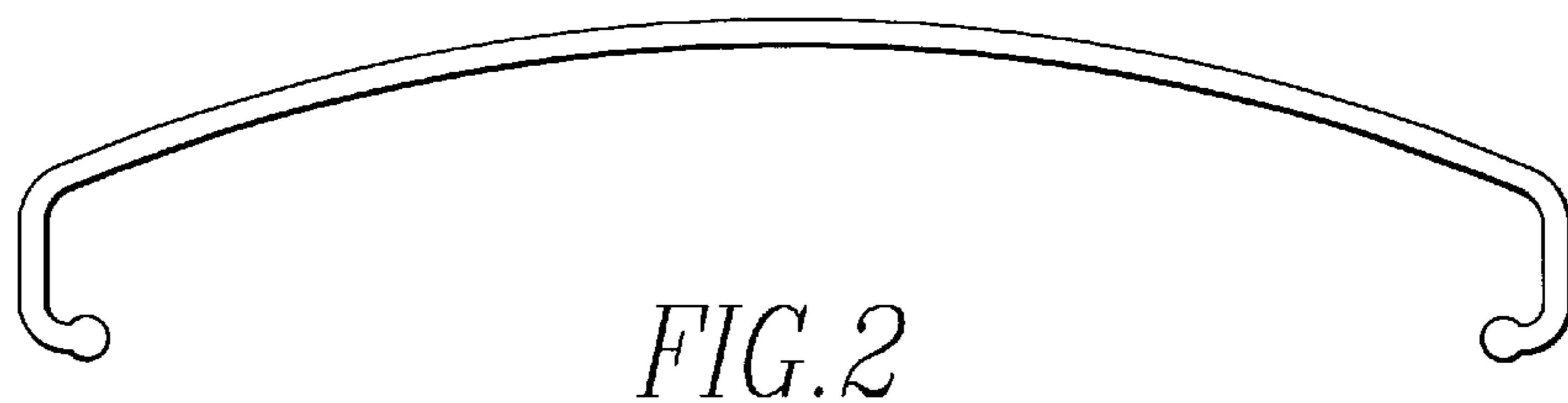
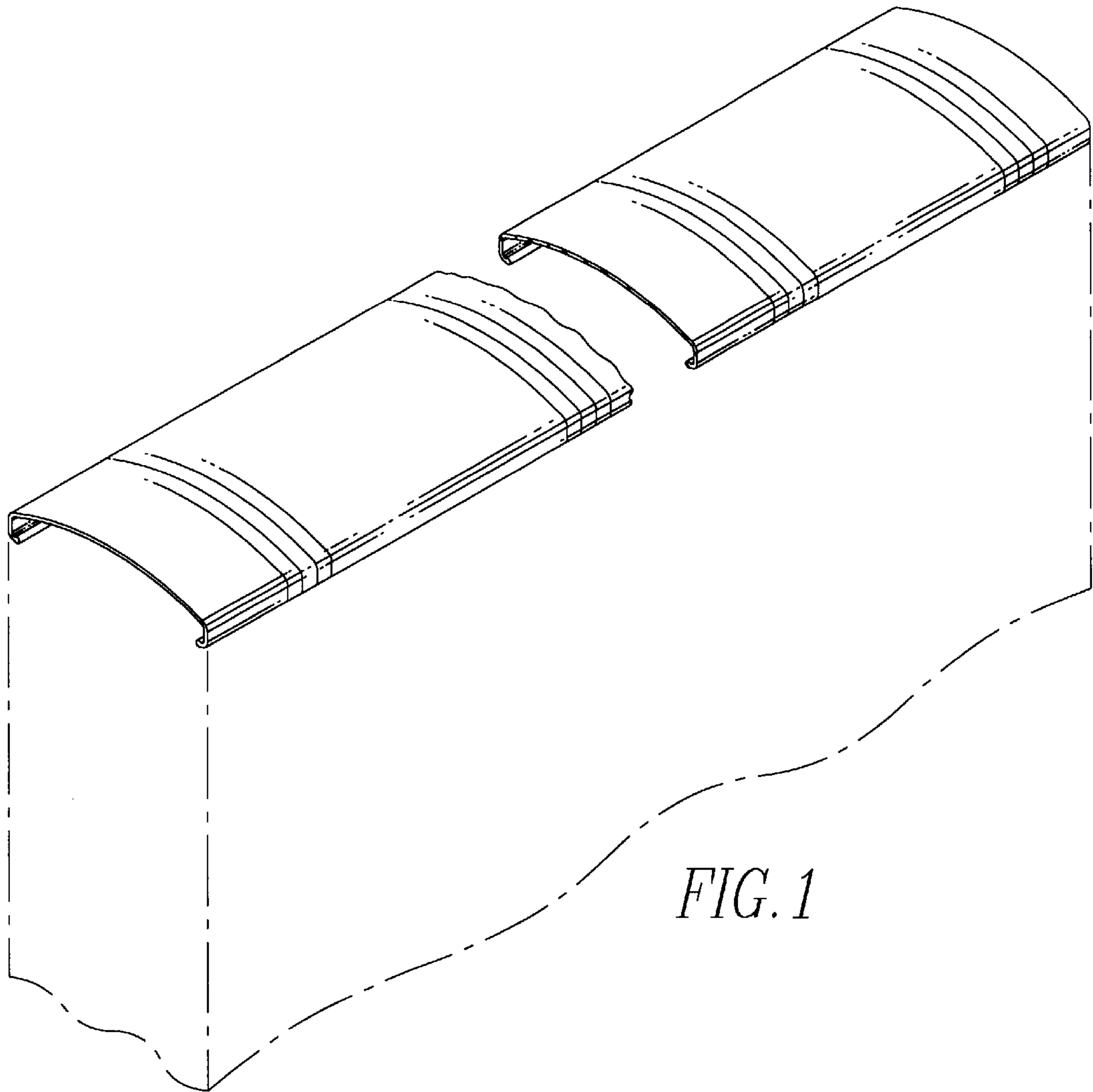
FIG. 10 is a bottom plan view thereof.

The trim piece for an office furniture system has been broken in the center to indicate indeterminate length.

The phantom lines depicted in FIGS. 1 and 6 are for more clearly illustrating the environment in which the trim piece is used. The phantom lines are for illustrative purposes only and form no part of the design.

1 Claim, 4 Drawing Sheets





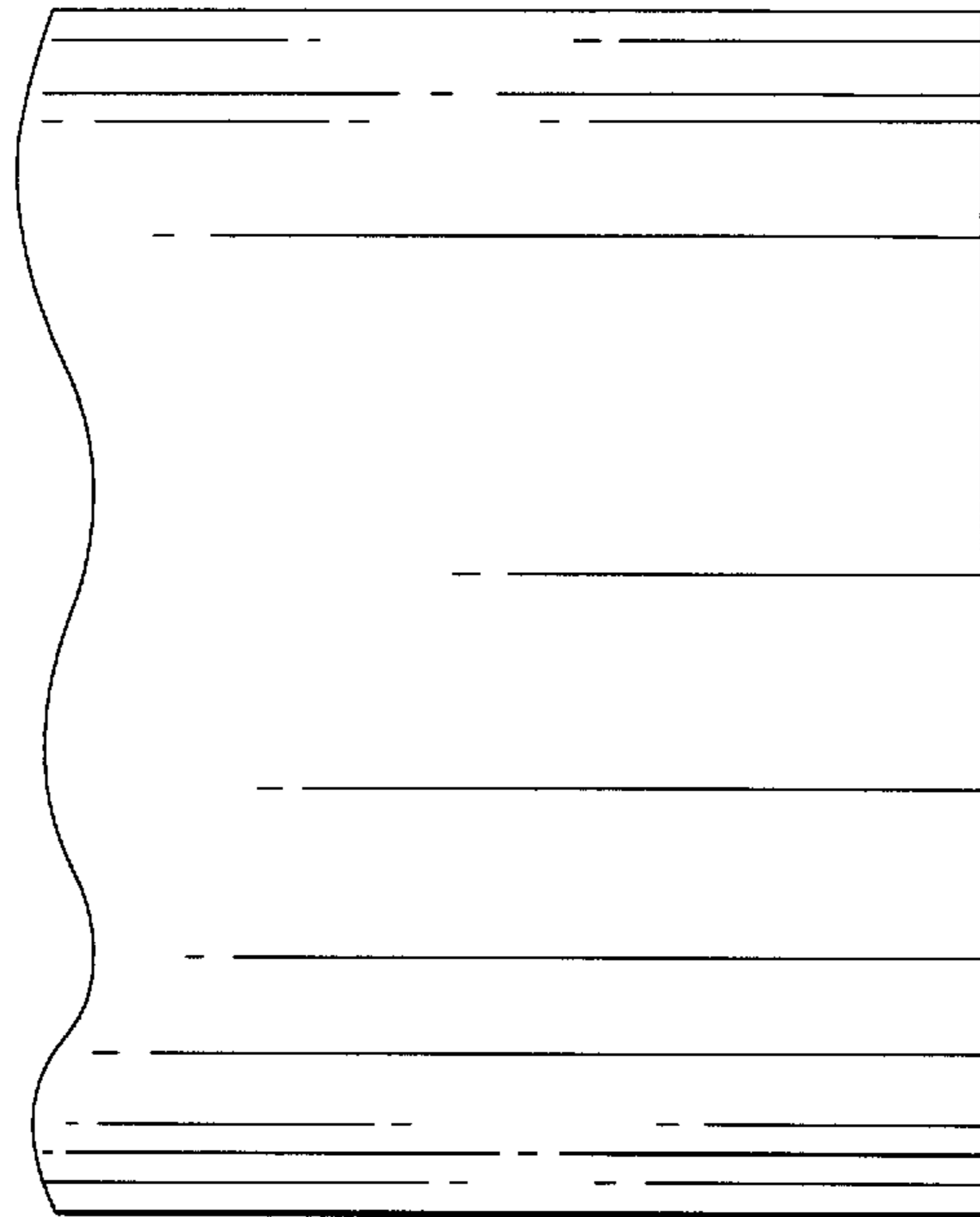
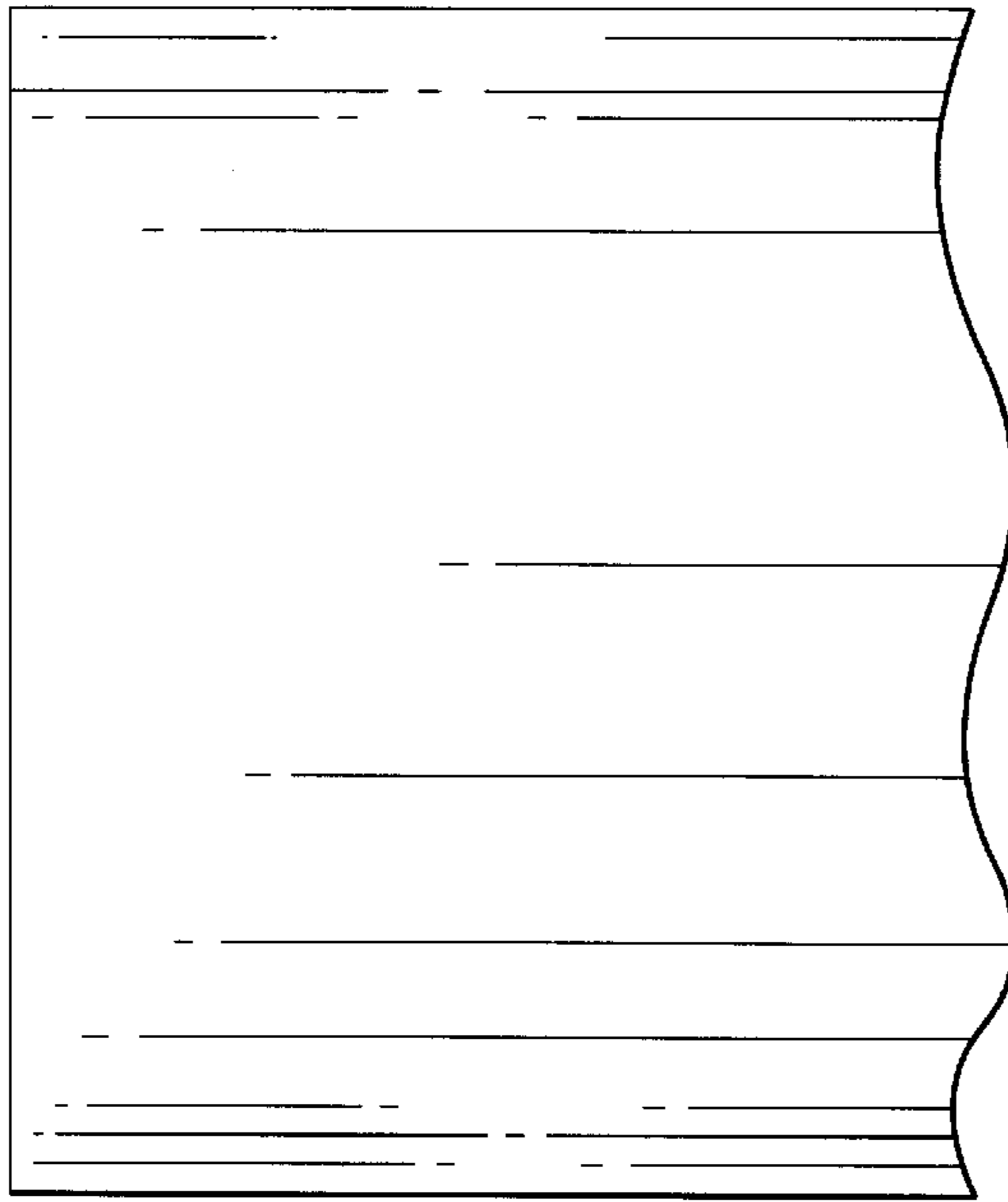


FIG. 3

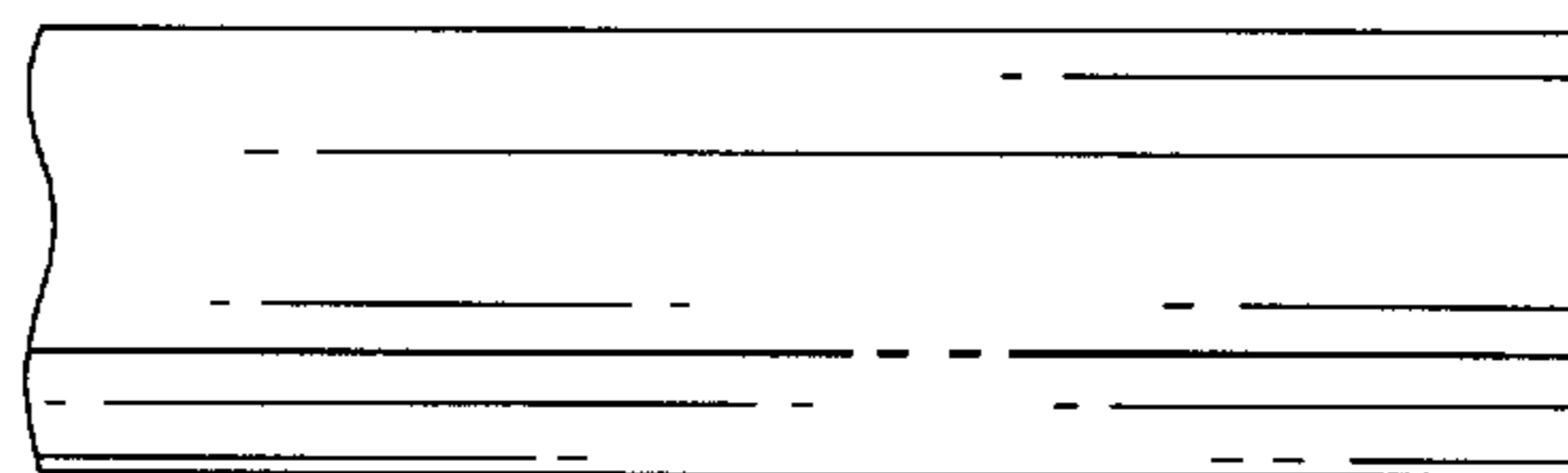
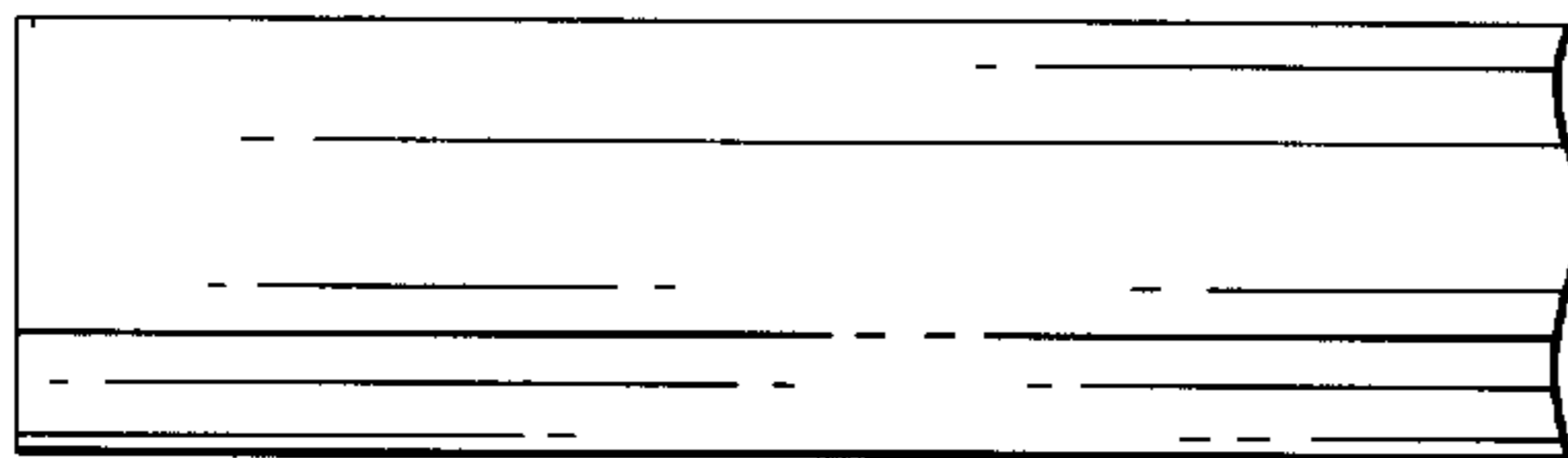


FIG. 4

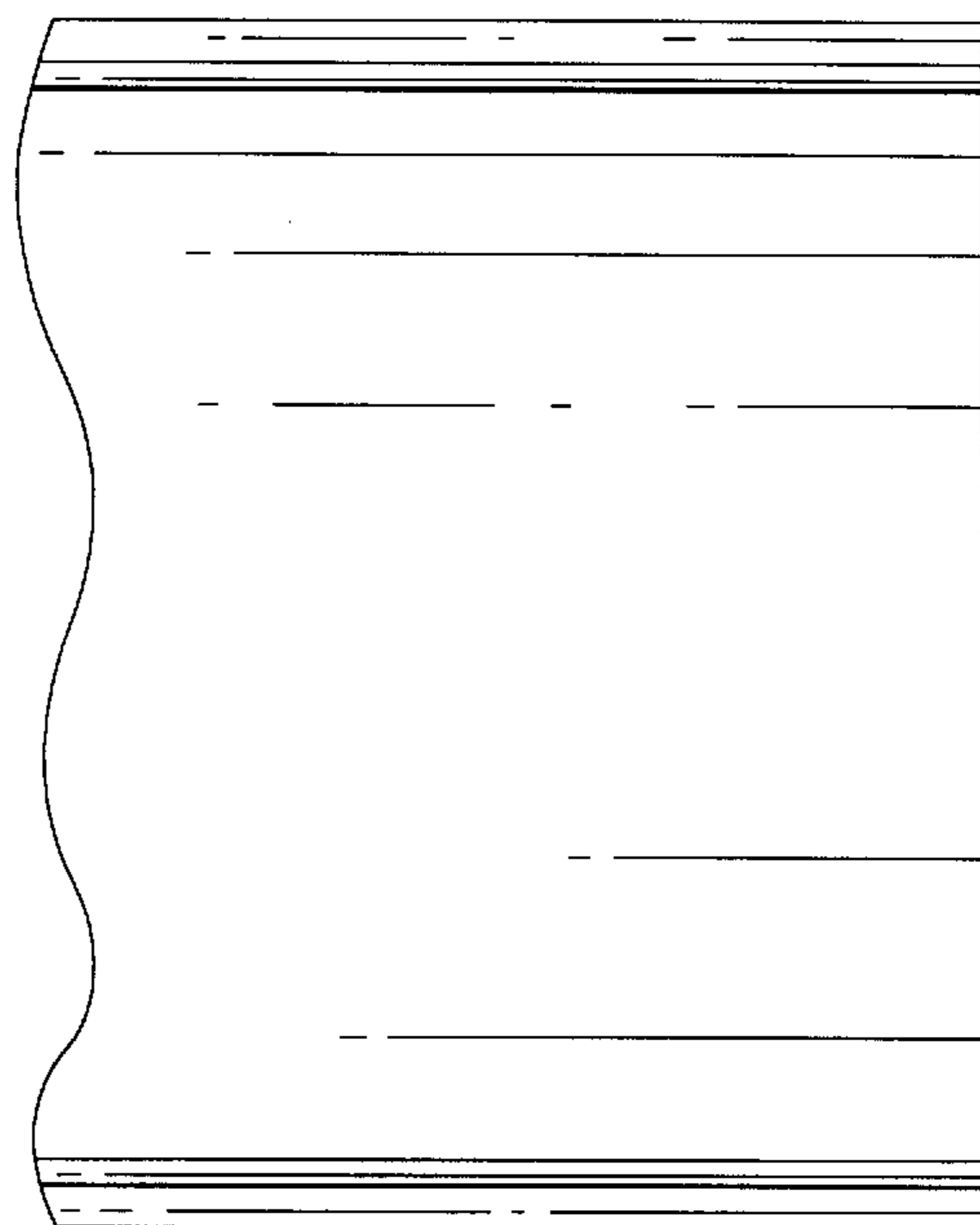
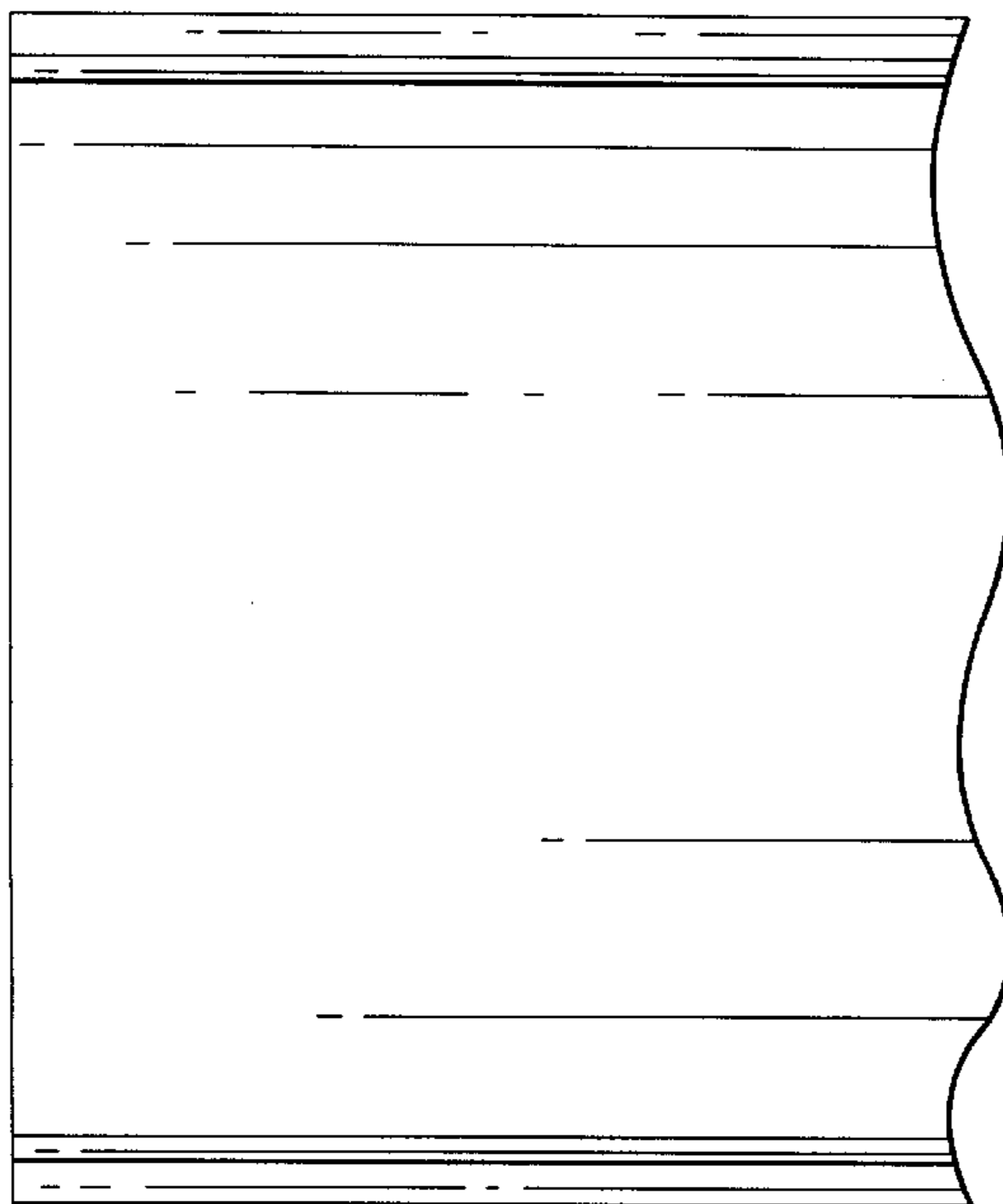
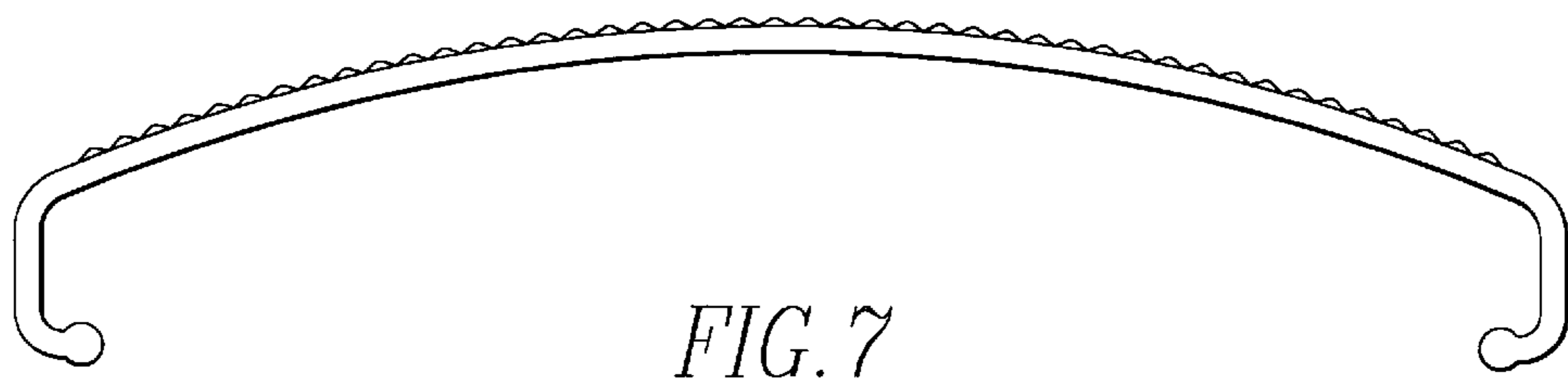
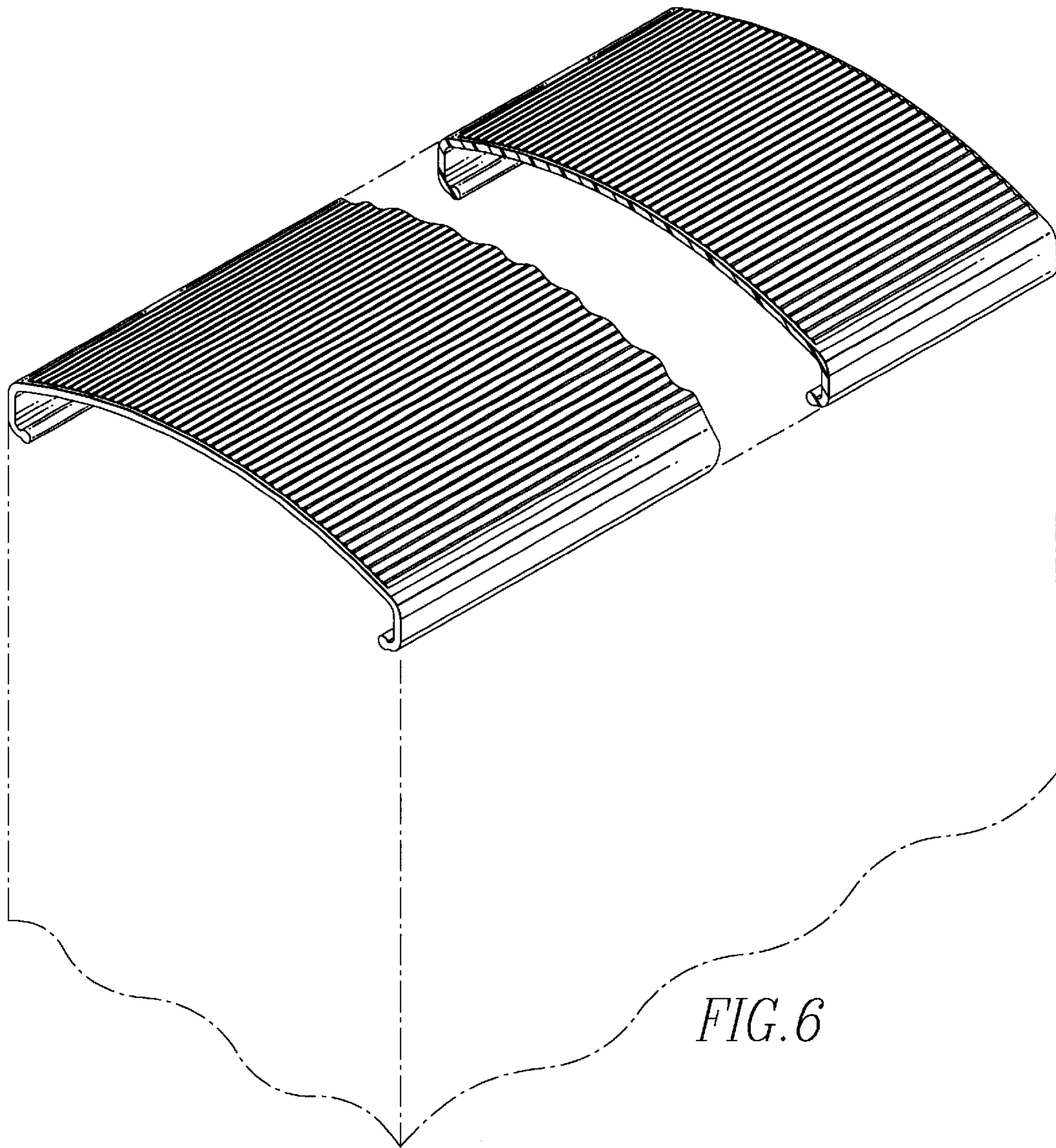


FIG. 5



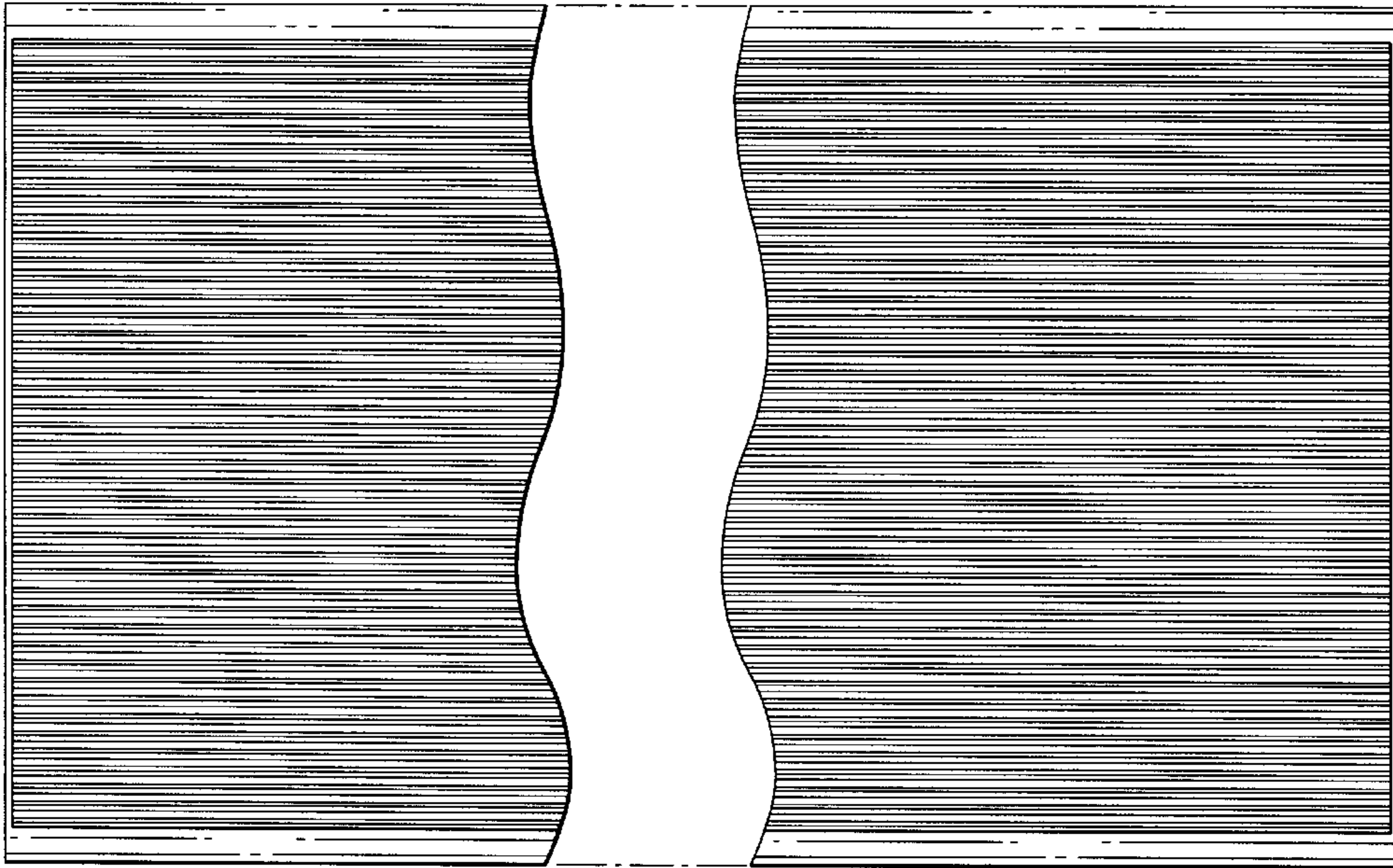


FIG. 8

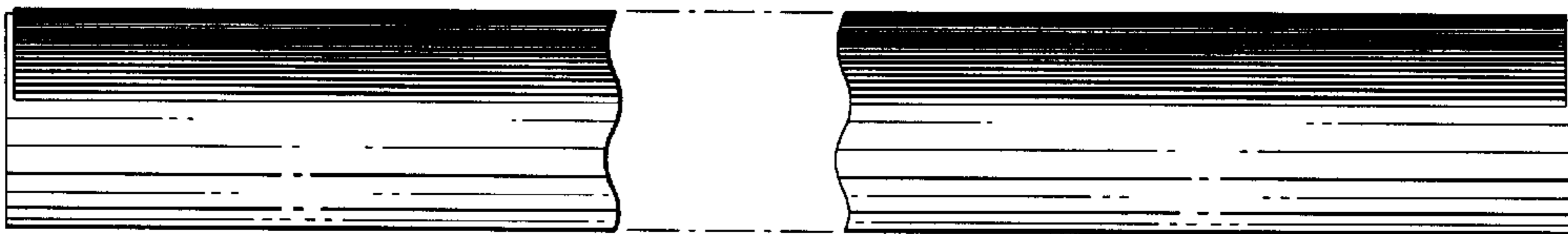


FIG. 9

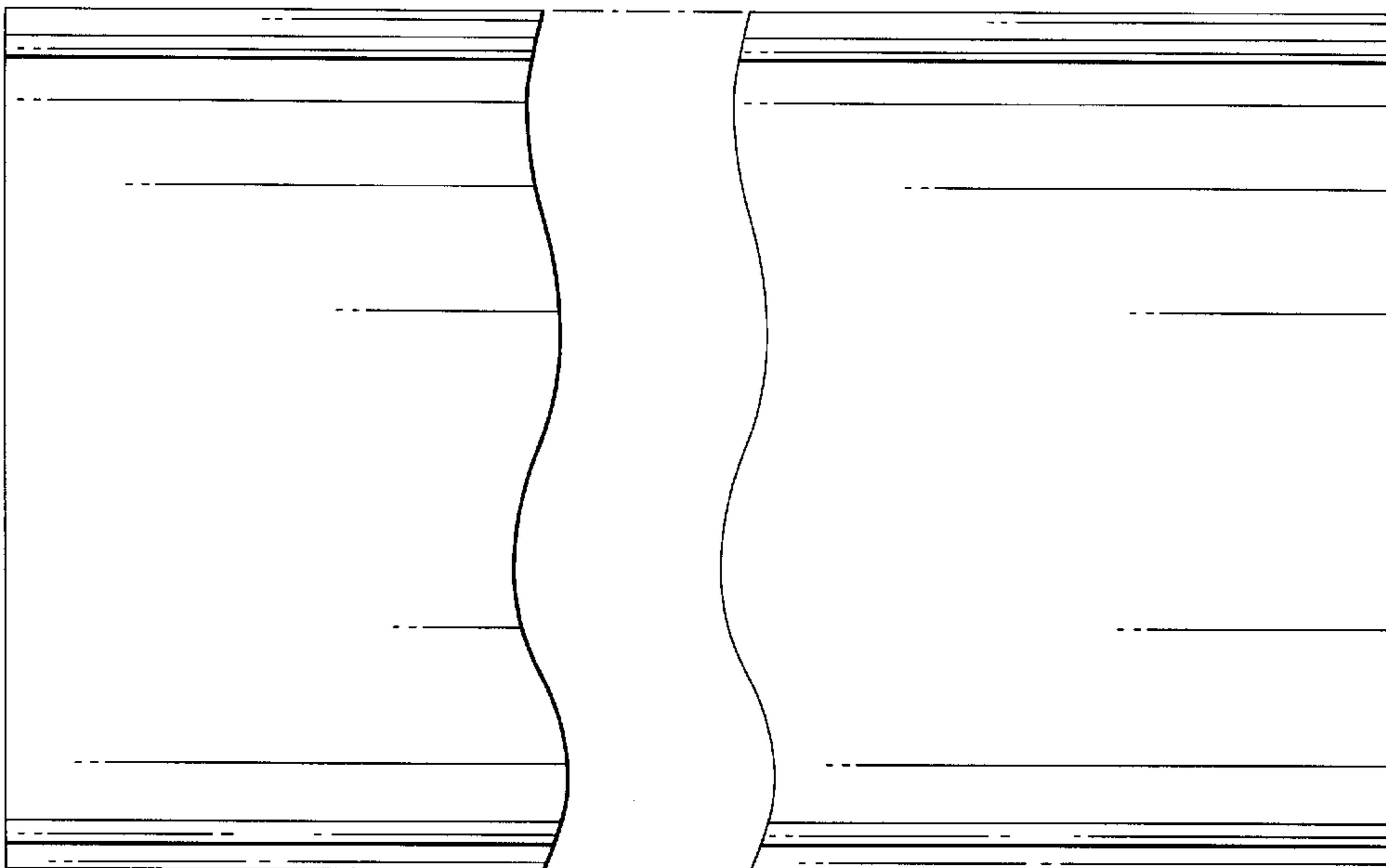


FIG. 10