



US00D405543S

United States Patent [19]
Shillingburg

[11] **Patent Number: Des. 405,543**

[45] **Date of Patent: **Feb. 9, 1999**

[54] **WALL BLOCK**

[76] Inventor: **Curtis W. Shillingburg**, 1714 Running Brook La., Rock Hill, S.C. 29730

[**] Term: **14 Years**

[21] Appl. No.: **78,580**

[22] Filed: **Oct. 16, 1997**

Related U.S. Application Data

[63] Continuation of Ser. No. 61,186, Oct. 17, 1996, abandoned.

[51] **LOC (6) Cl.** **25-01**

[52] **U.S. Cl.** **D25/114**

[58] **Field of Search** D25/114, 116; 52/604; 405/284, 285, 286

[56] **References Cited**

U.S. PATENT DOCUMENTS

- D. 244,201 5/1977 Muse .
- D. 295,788 5/1988 Forsberg .
- D. 295,790 5/1988 Forsberg .
- D. 296,007 5/1988 Forsberg .
- D. 296,365 6/1988 Forsberg .
- D. 297,464 8/1988 Forsberg .
- D. 297,574 9/1988 Forsberg .
- D. 297,767 9/1988 Forsberg .
- D. 298,463 11/1988 Forsberg .
- D. 299,067 12/1988 Forsberg .
- D. 300,253 3/1989 Forsberg D25/11
- D. 300,254 3/1989 Forsberg .
- D. 301,064 5/1989 Forsberg .
- D. 311,444 10/1990 Forsberg .
- D. 317,048 5/1991 Forsberg .
- D. 343,461 1/1994 Powell .
- D. 380,560 7/1997 Forsberg .
- 4,802,320 2/1989 Forsberg .
- 4,825,619 5/1989 Forsberg .
- 5,020,938 6/1991 Scales .
- 5,505,034 4/1996 Dueck 405/286

Primary Examiner—Doris Clark
Attorney, Agent, or Firm—Adams Law Firm, P.A.

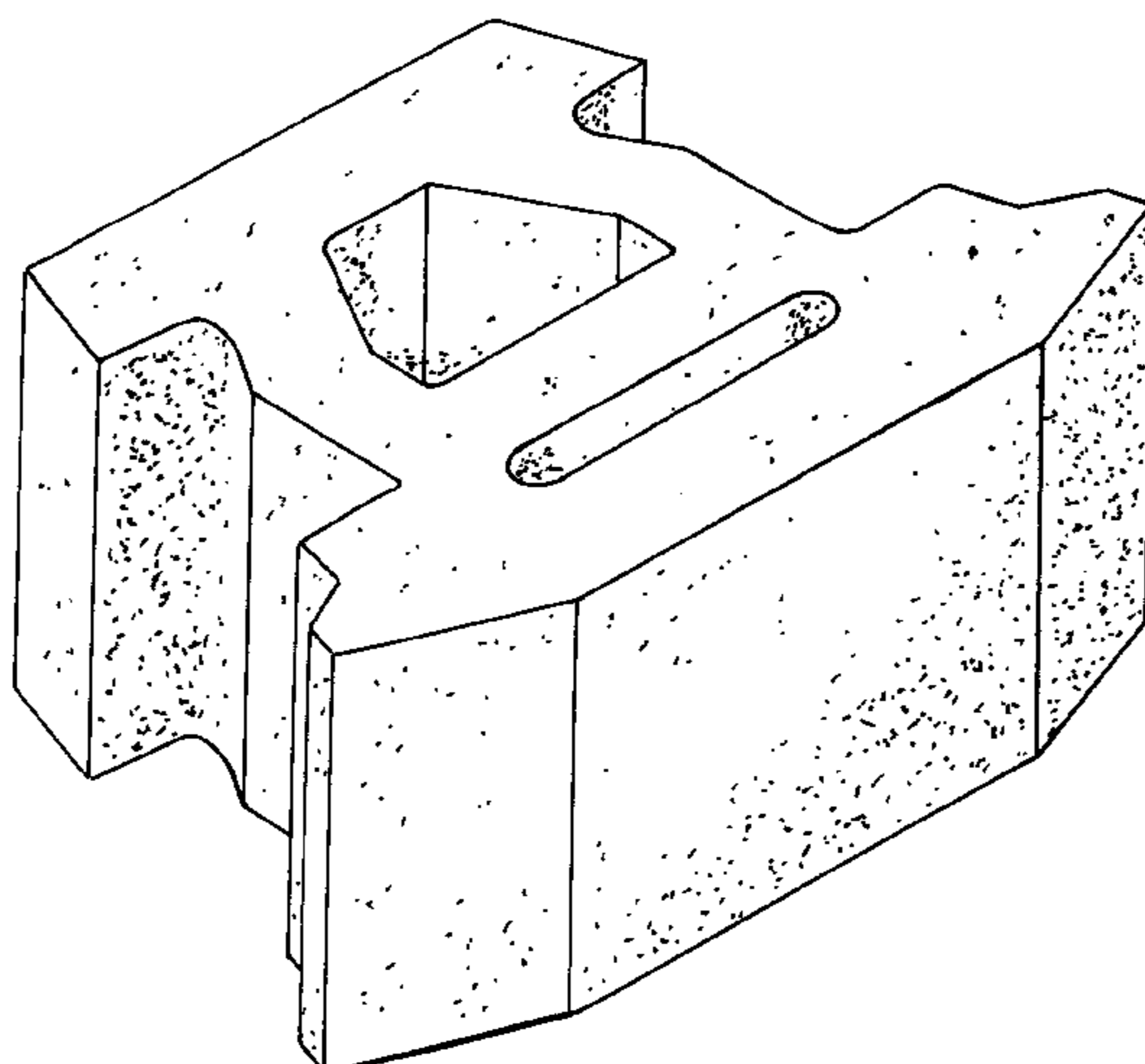
[57] **CLAIM**

I claim the ornamental design for a wall block, as shown and described.

DESCRIPTION

FIG. 1 is a top perspective view of a wall block according to one embodiment of the design;
 FIG. 2 is a bottom perspective view thereof;
 FIG. 3 is a front elevational view thereof;
 FIG. 4 is a rear elevational view thereof;
 FIG. 5 is a right side elevational view, the left side being a mirror image thereof;
 FIG. 6 is a top plan view thereof;
 FIG. 7 is a bottom plan view thereof;
 FIG. 8 is a top perspective view of a wall block according to a second embodiment of the design;
 FIG. 9 is a bottom perspective view thereof;
 FIG. 10 is a front elevational view thereof;
 FIG. 11 is a rear elevational view thereof;
 FIG. 12 is a right side elevational view, the left side being a mirror image thereof;
 FIG. 13 is a top plan view thereof;
 FIG. 14 is a bottom plan view thereof;
 FIG. 15 is a top perspective view of a wall block according to a third embodiment of the design;
 FIG. 16 is a bottom perspective view thereof;
 FIG. 17 is a front elevational view thereof;
 FIG. 18 is a rear elevational view thereof;
 FIG. 19 is a right side elevational view, the left side being a mirror image thereof;
 FIG. 20 is a top plan view thereof;
 FIG. 21 is a bottom plan view thereof;
 FIG. 22 is a top perspective view of a wall block according to a fourth embodiment of the design;
 FIG. 23 is a bottom perspective view thereof;
 FIG. 24 is a front elevational view thereof;
 FIG. 25 is a rear elevational view thereof;
 FIG. 26 is a right side elevational view, the left side being a mirror image thereof;
 FIG. 27 is a top plan view thereof; and,
 FIG. 28 is a bottom plan view thereof.

1 Claim, 12 Drawing Sheets



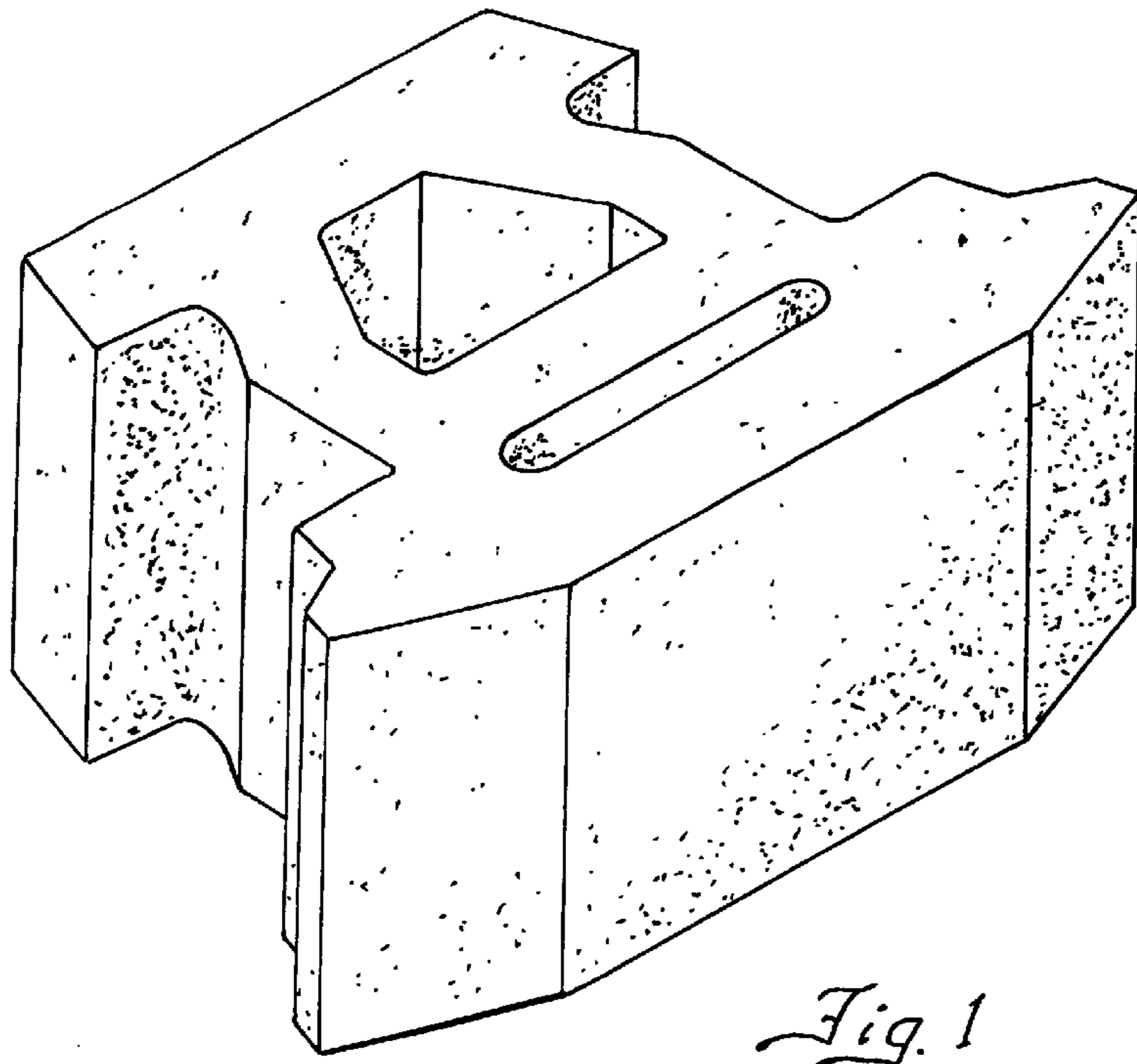


Fig. 1

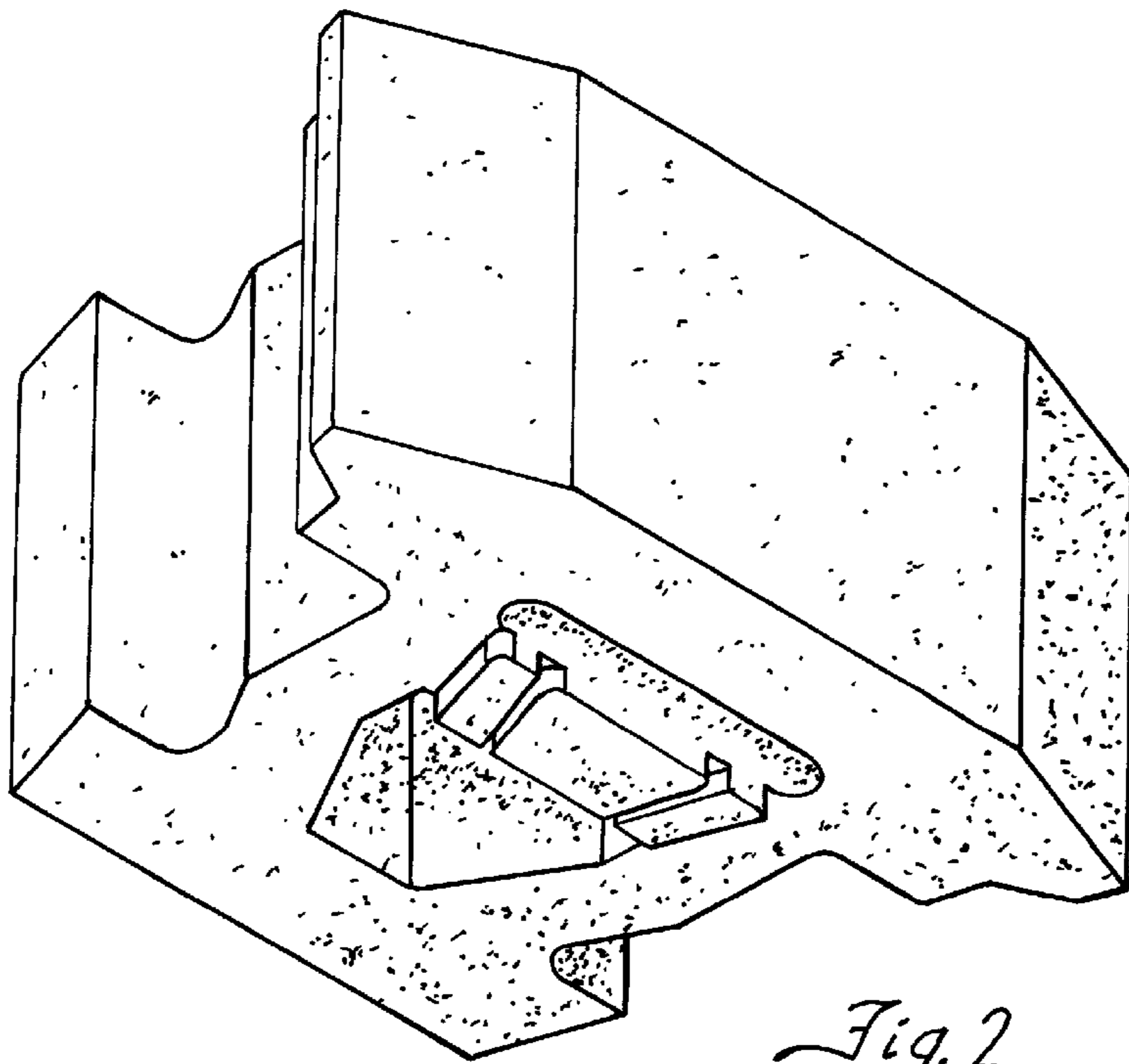


Fig. 2

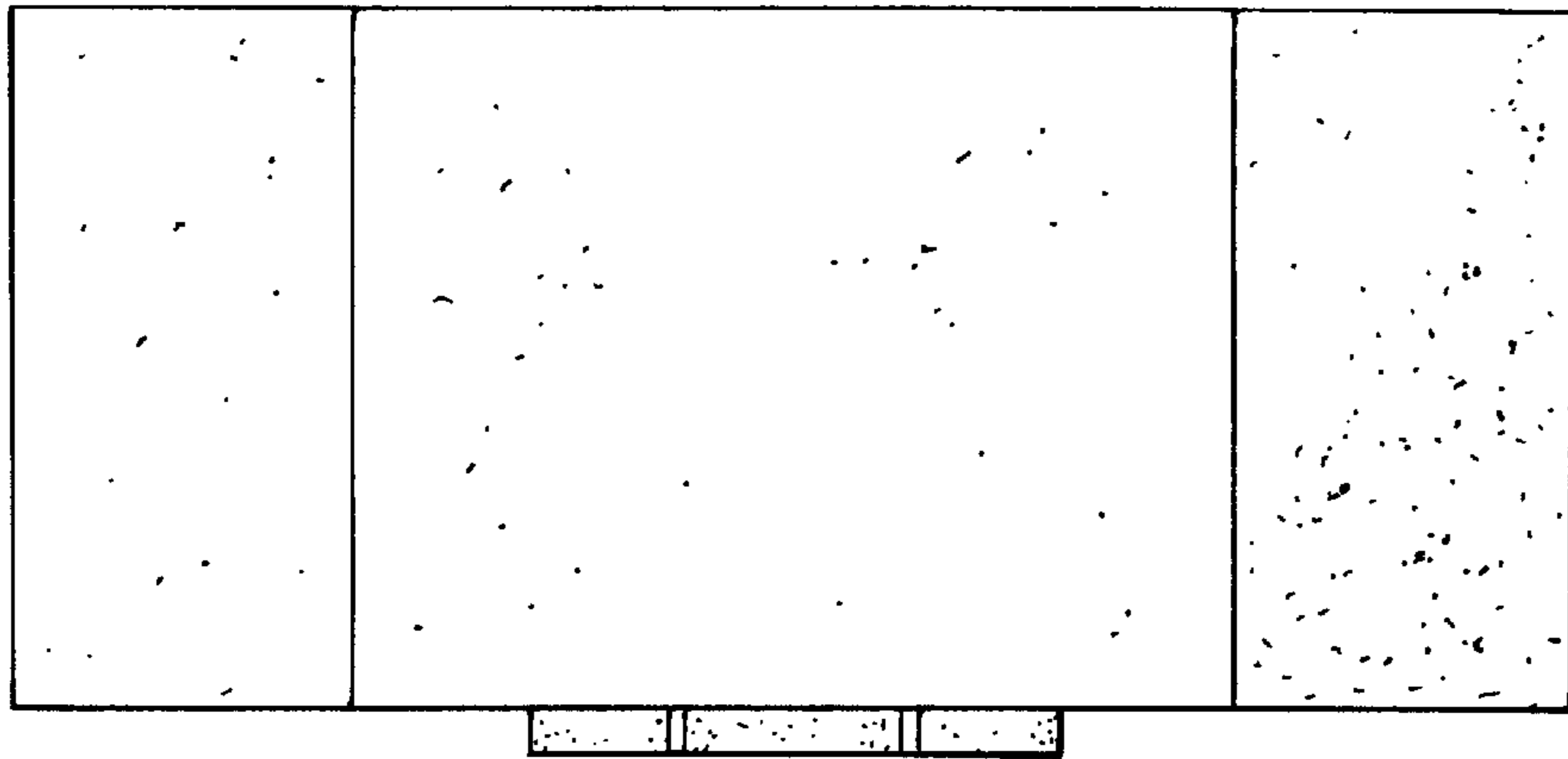


Fig. 3

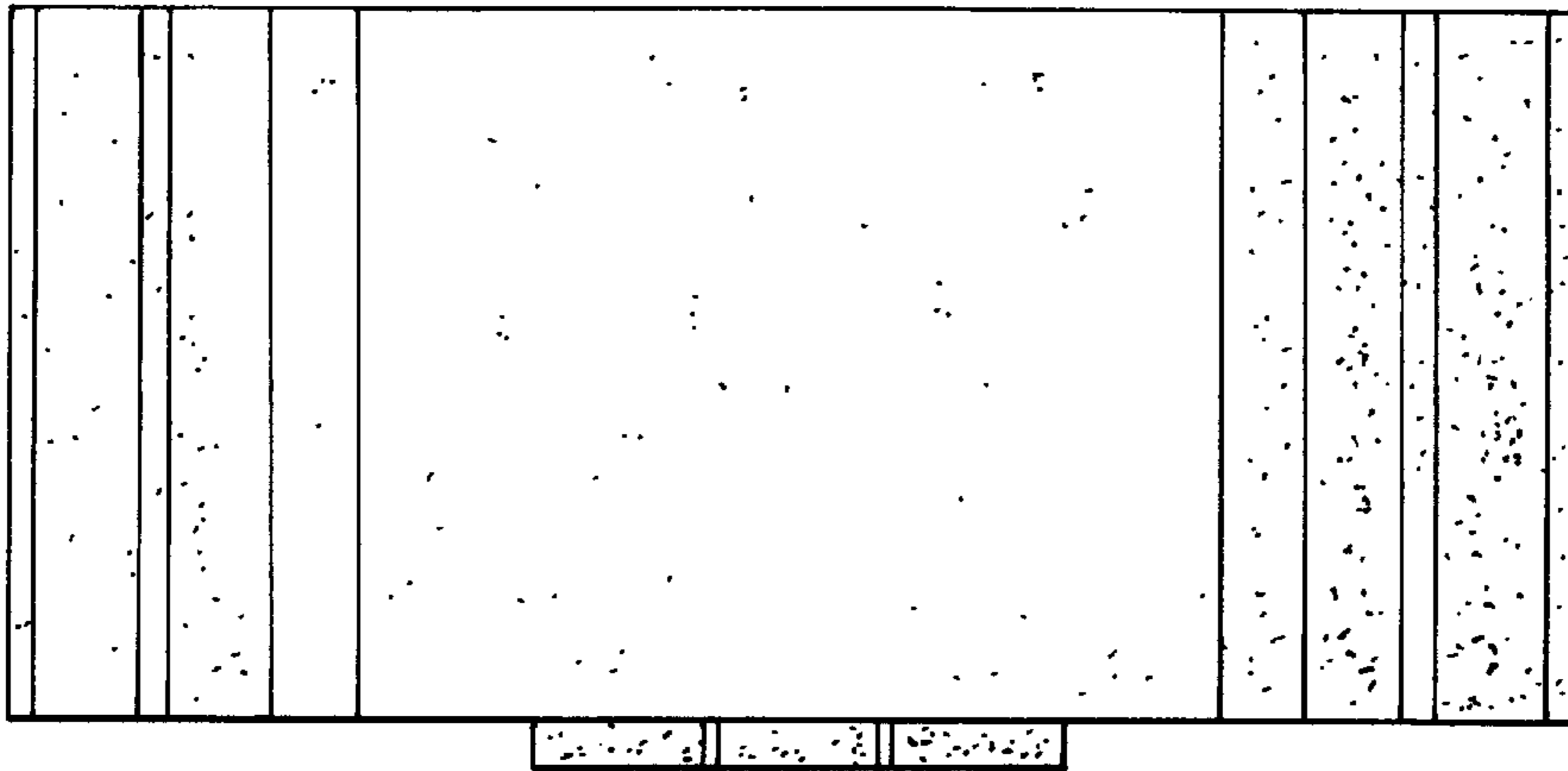


Fig. 4

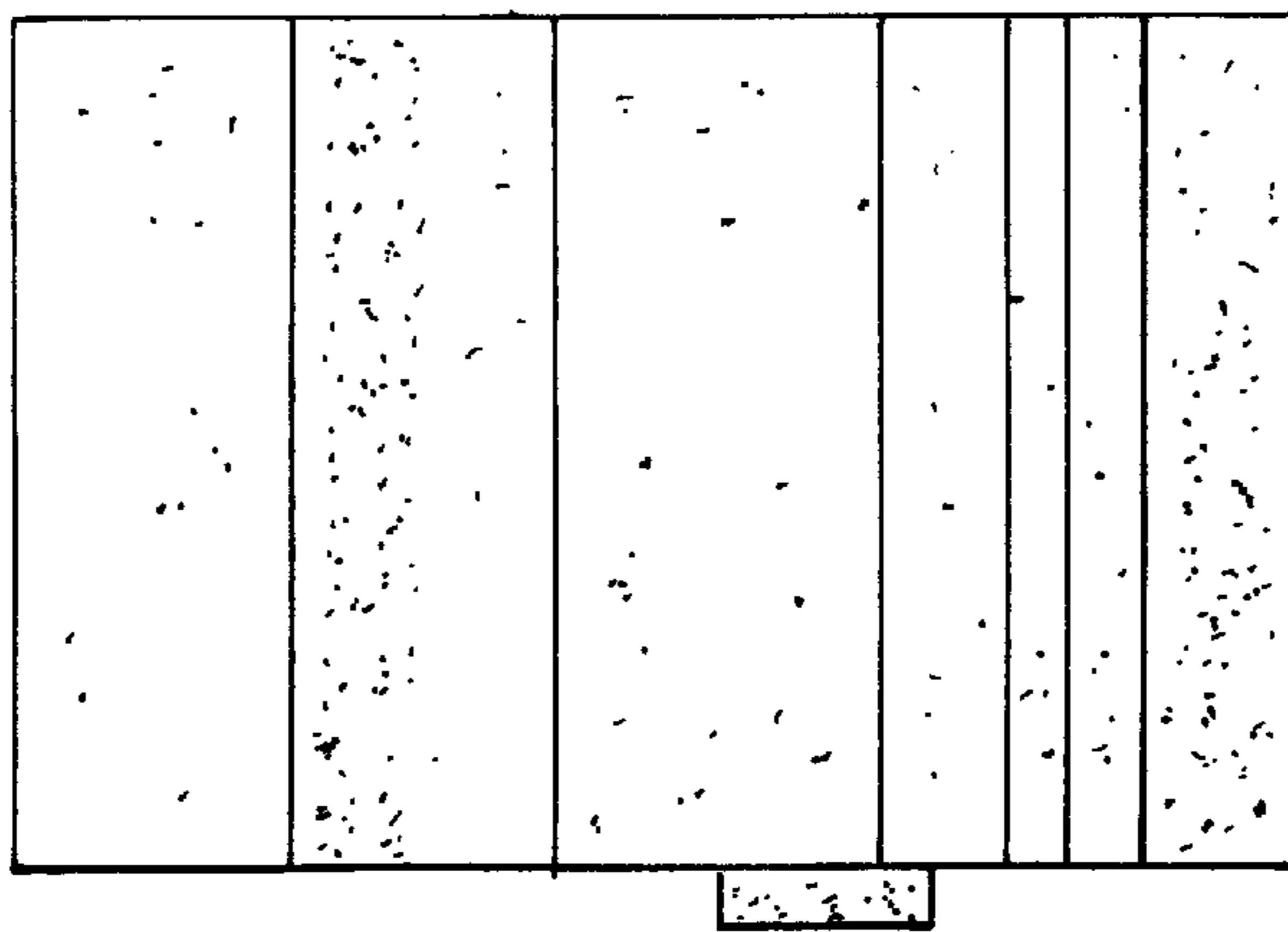


Fig. 5

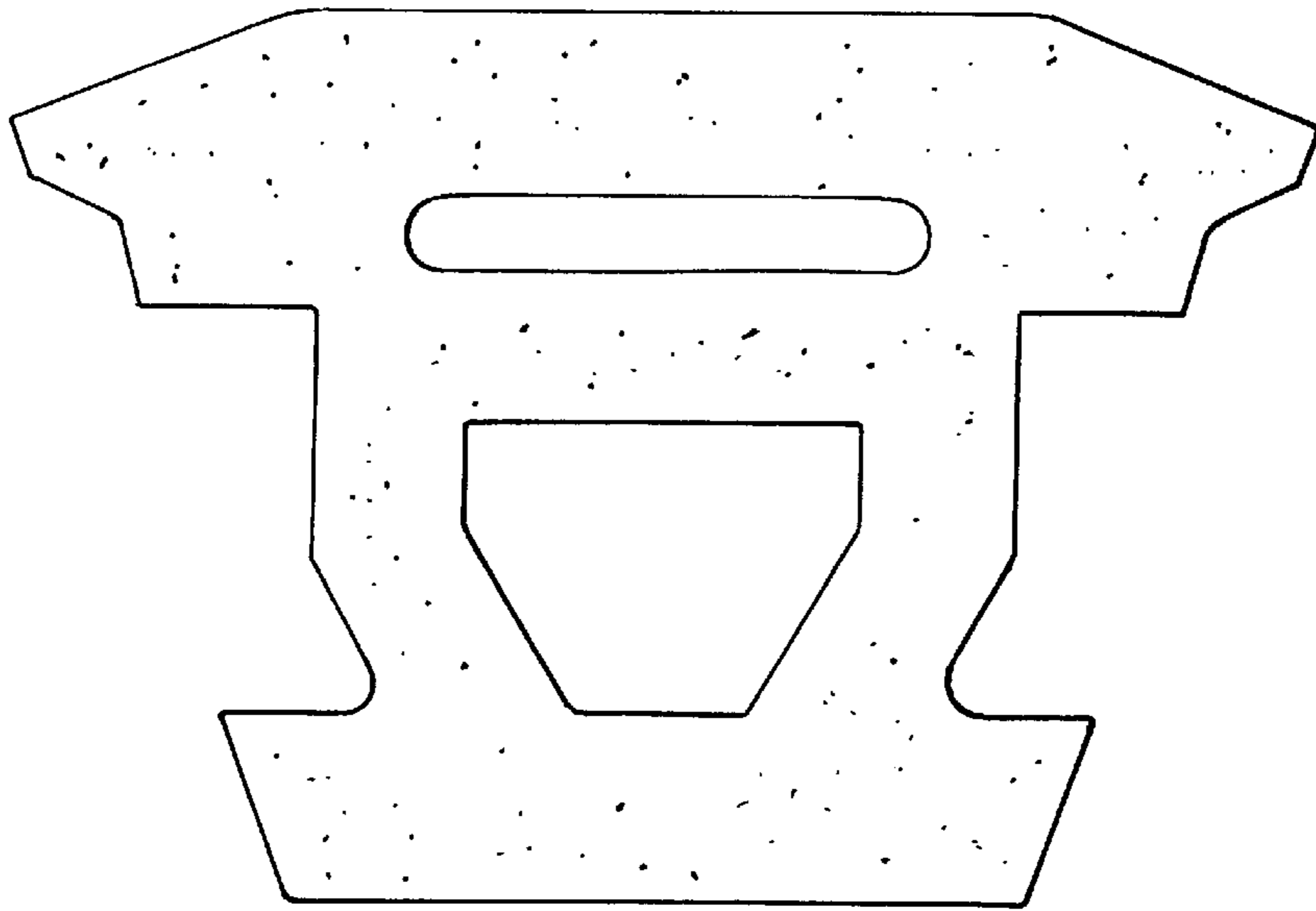


Fig. 6

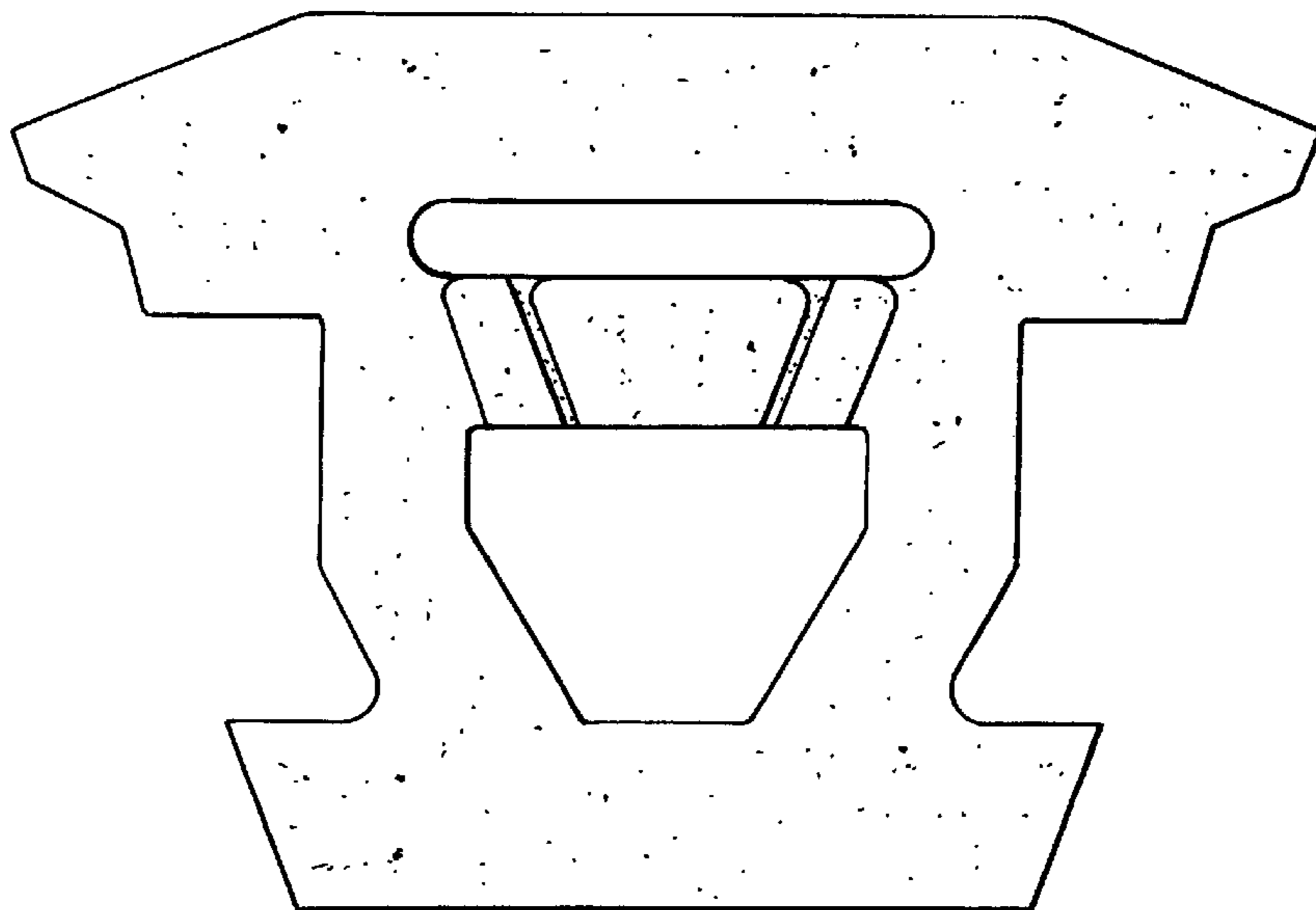
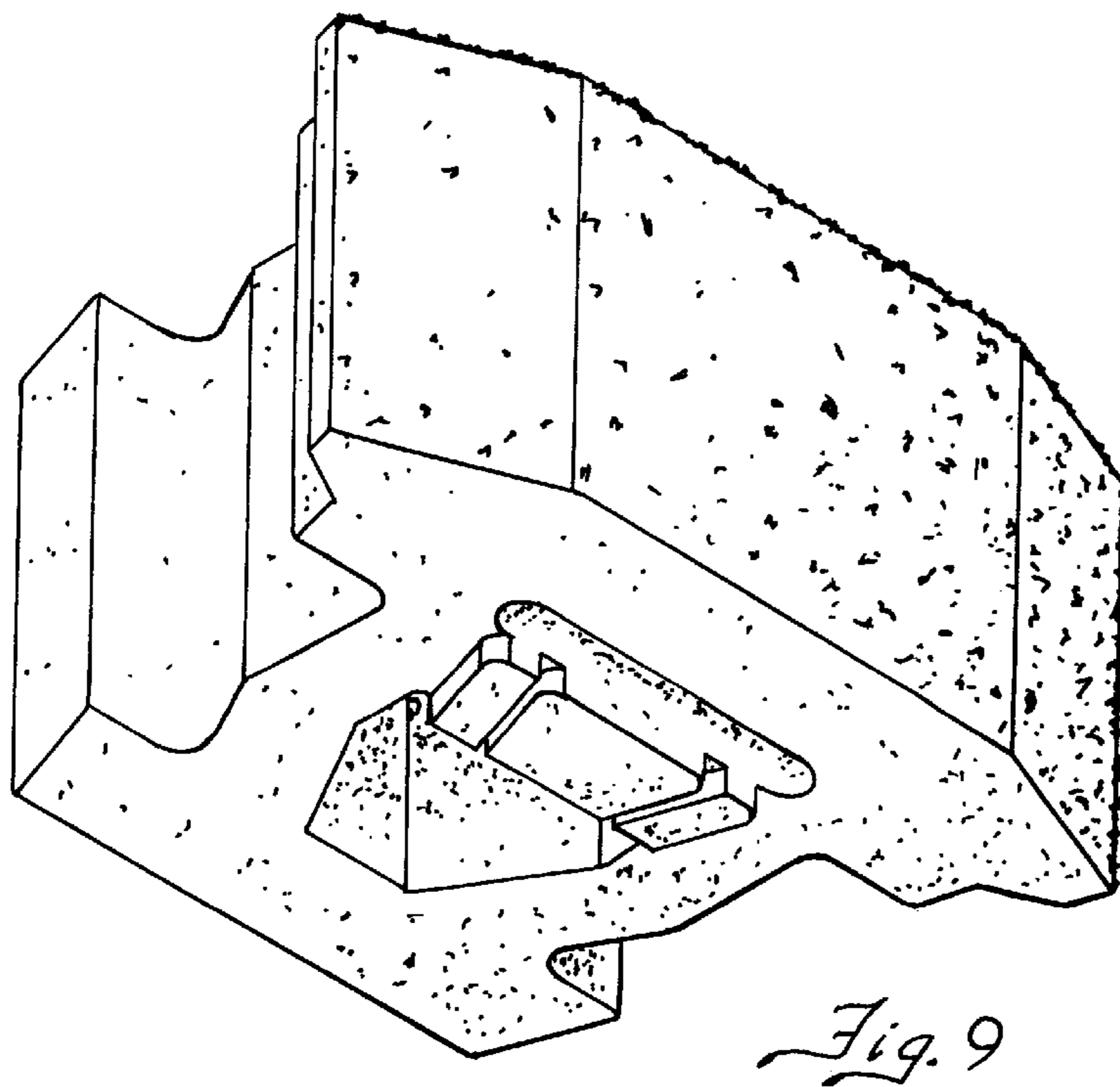
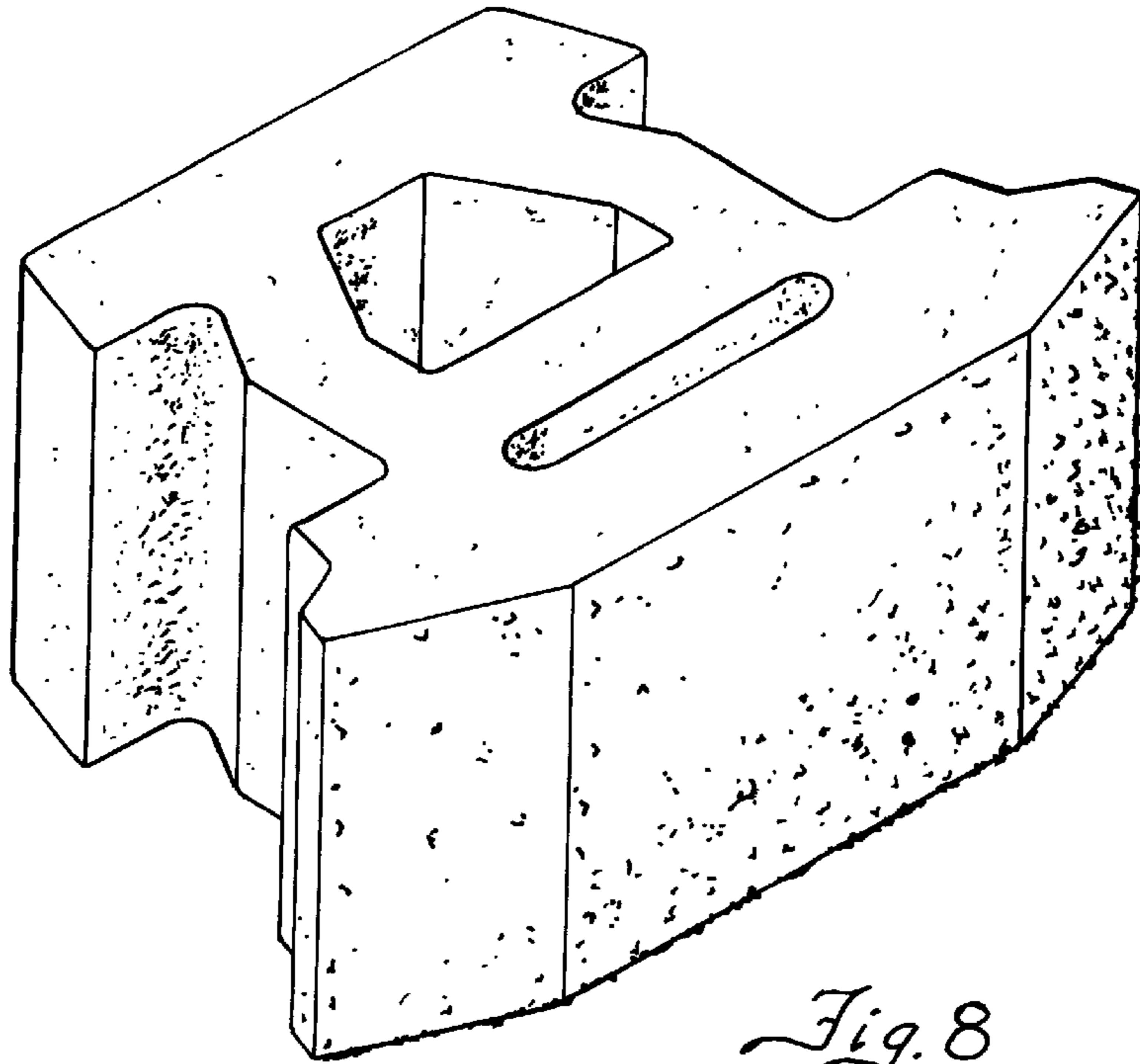


Fig. 7



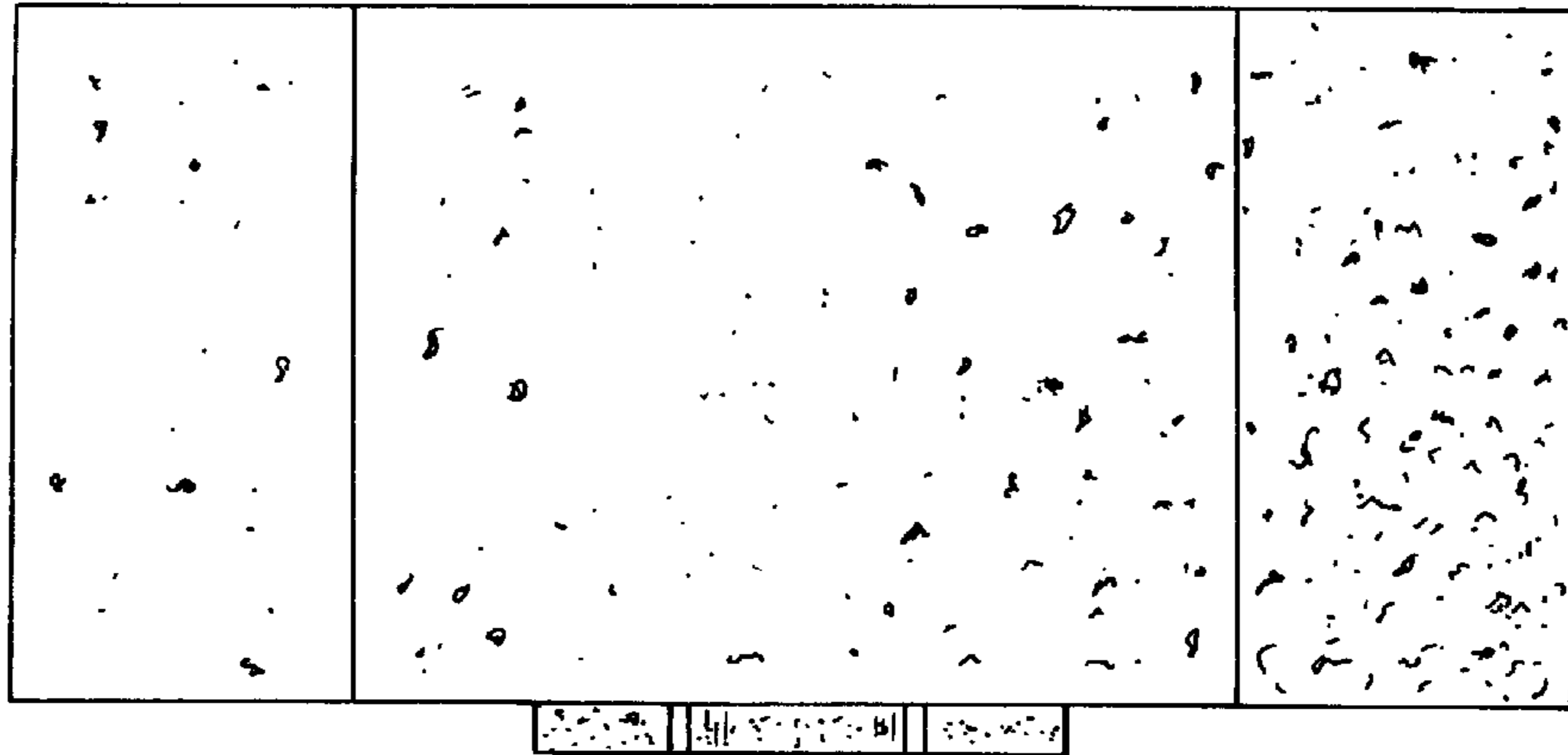


Fig. 10

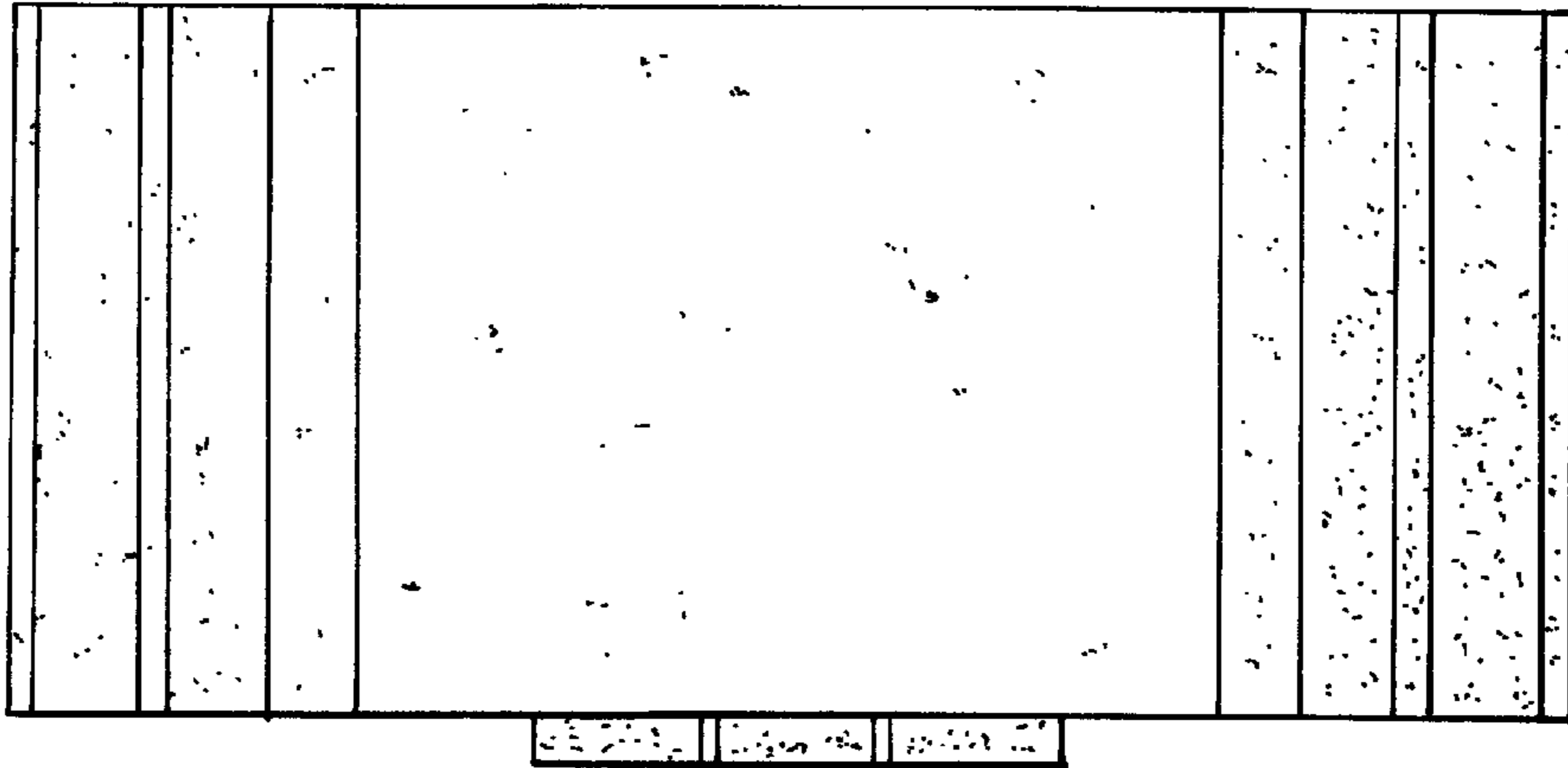


Fig. 11

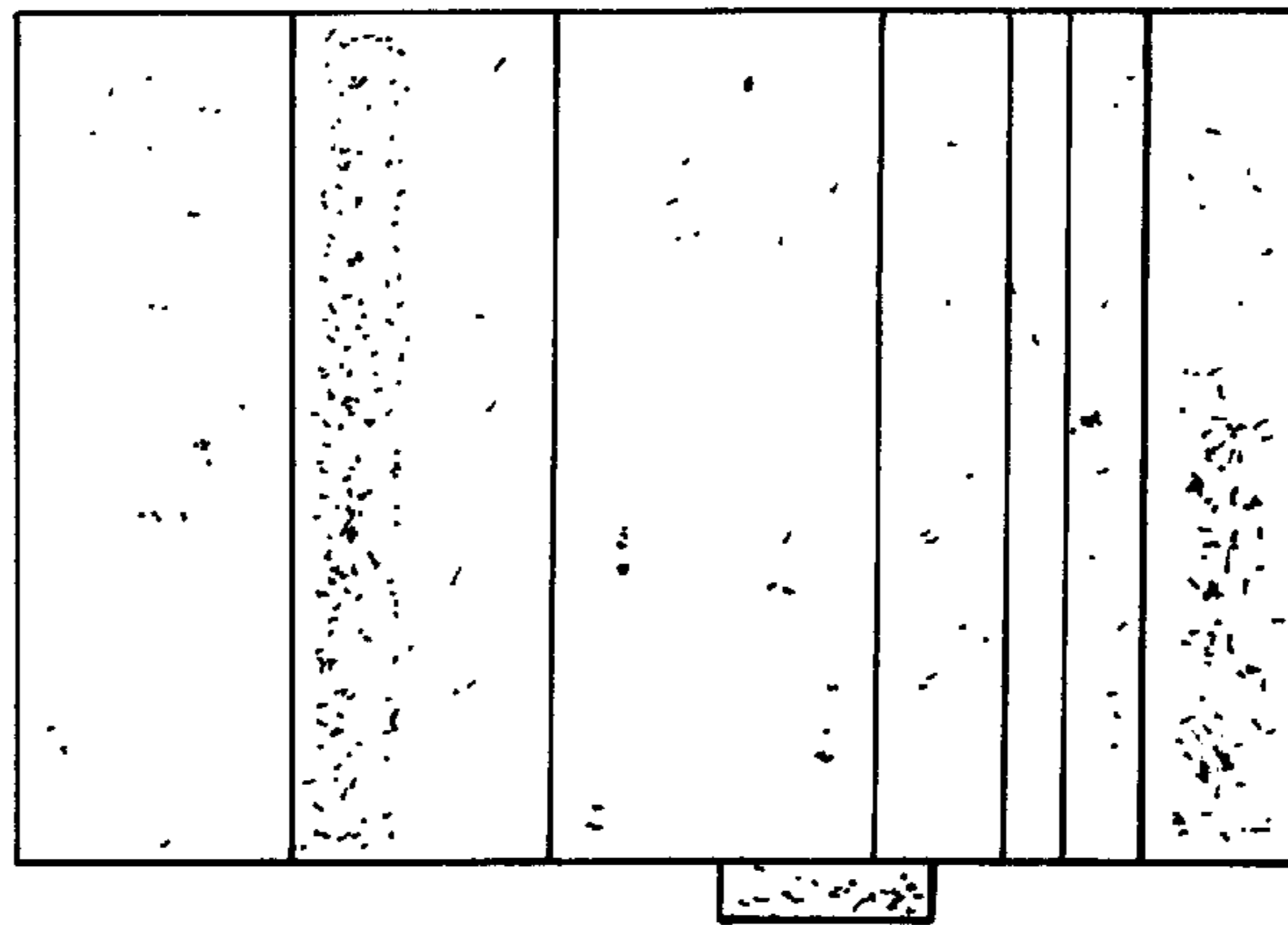


Fig. 12

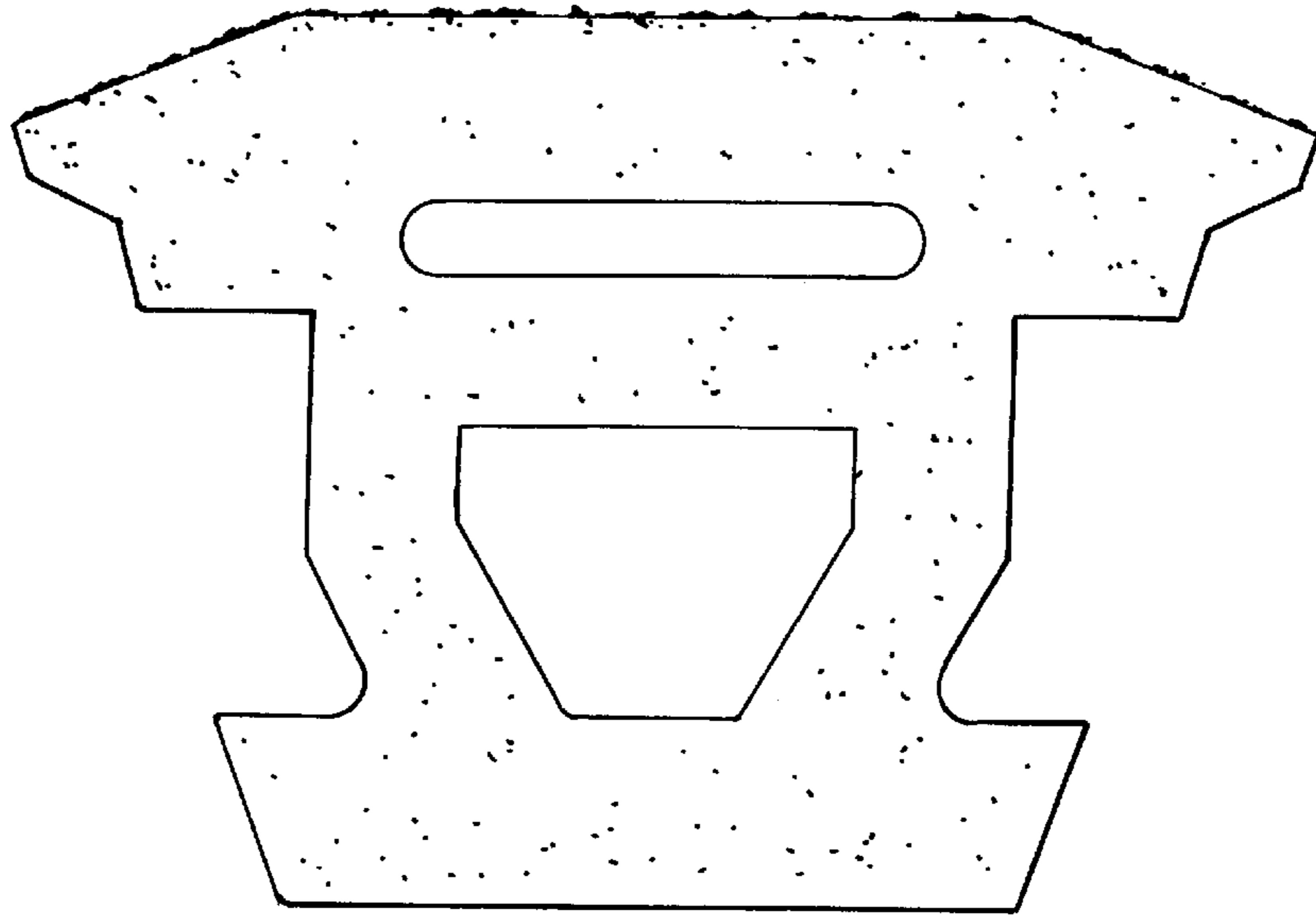


Fig. 13

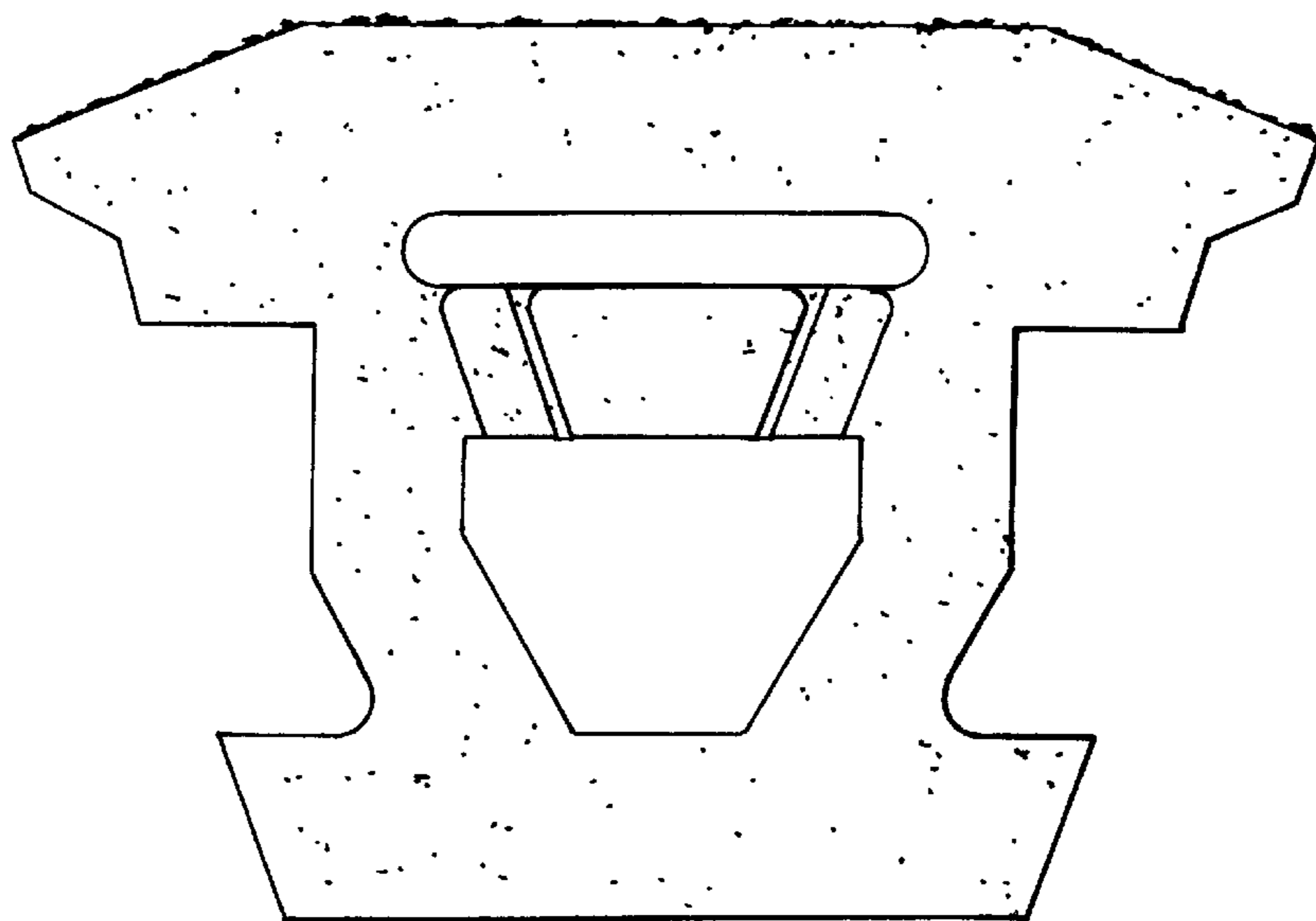


Fig. 14

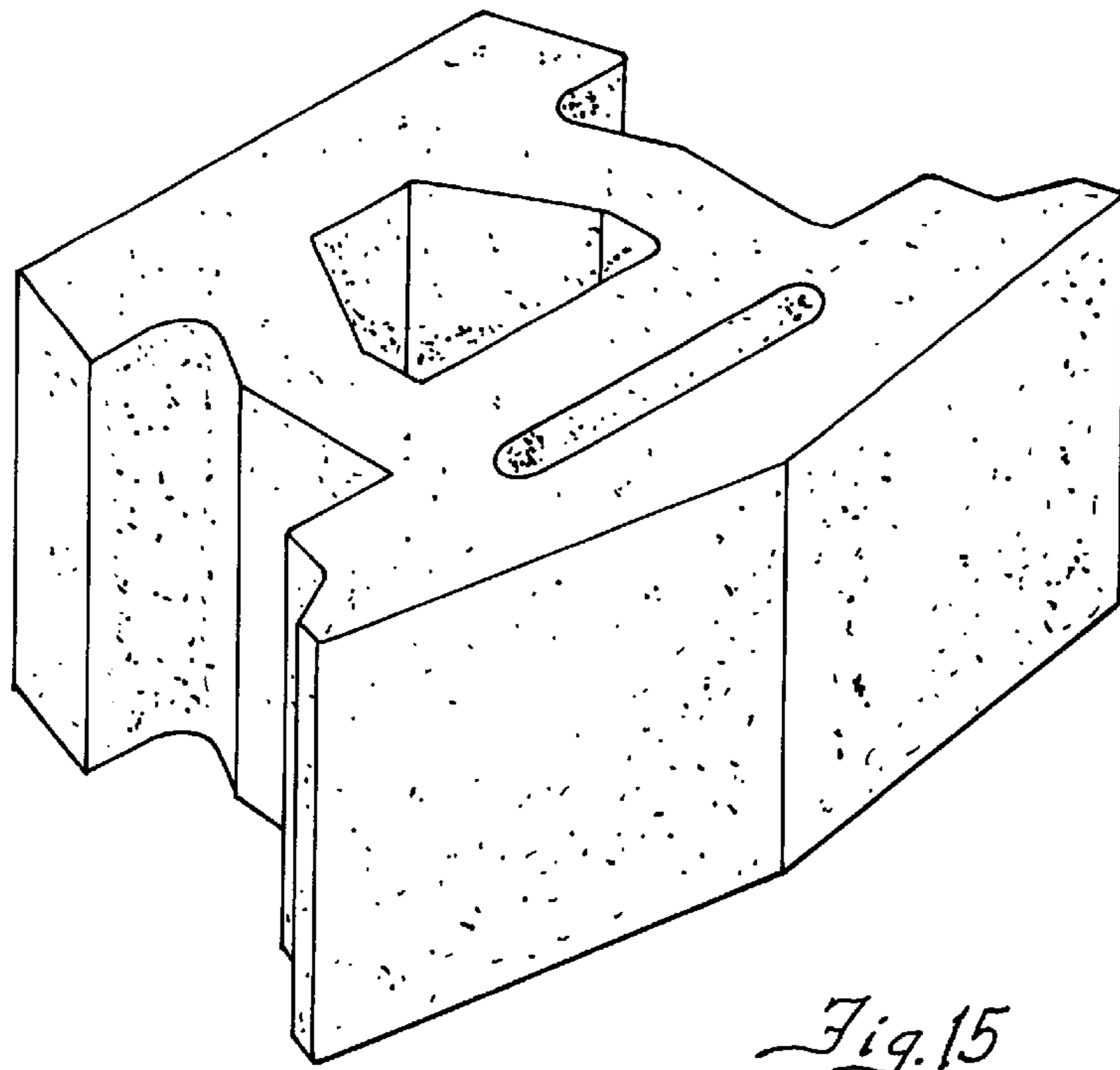


Fig. 15

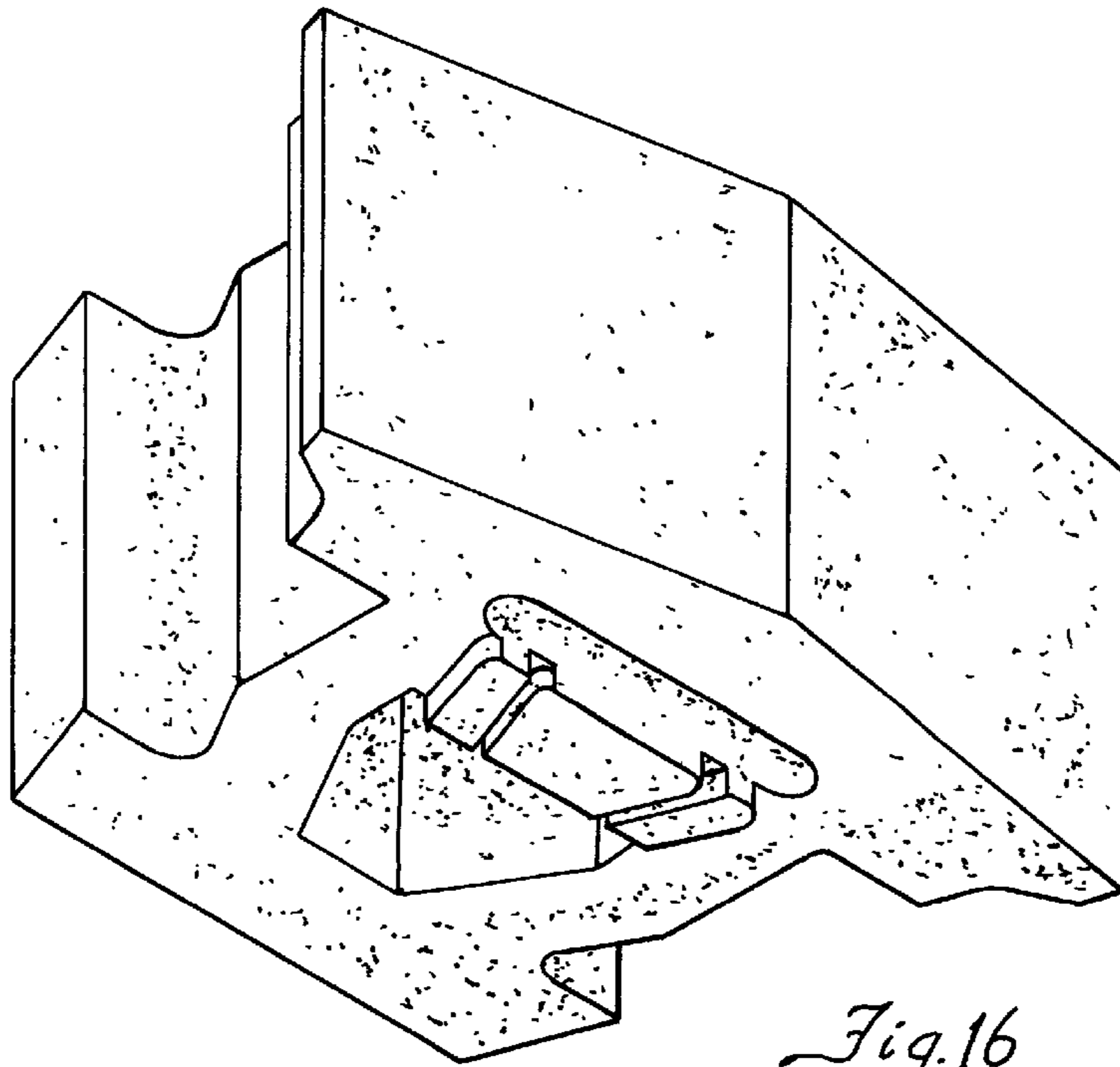


Fig. 16

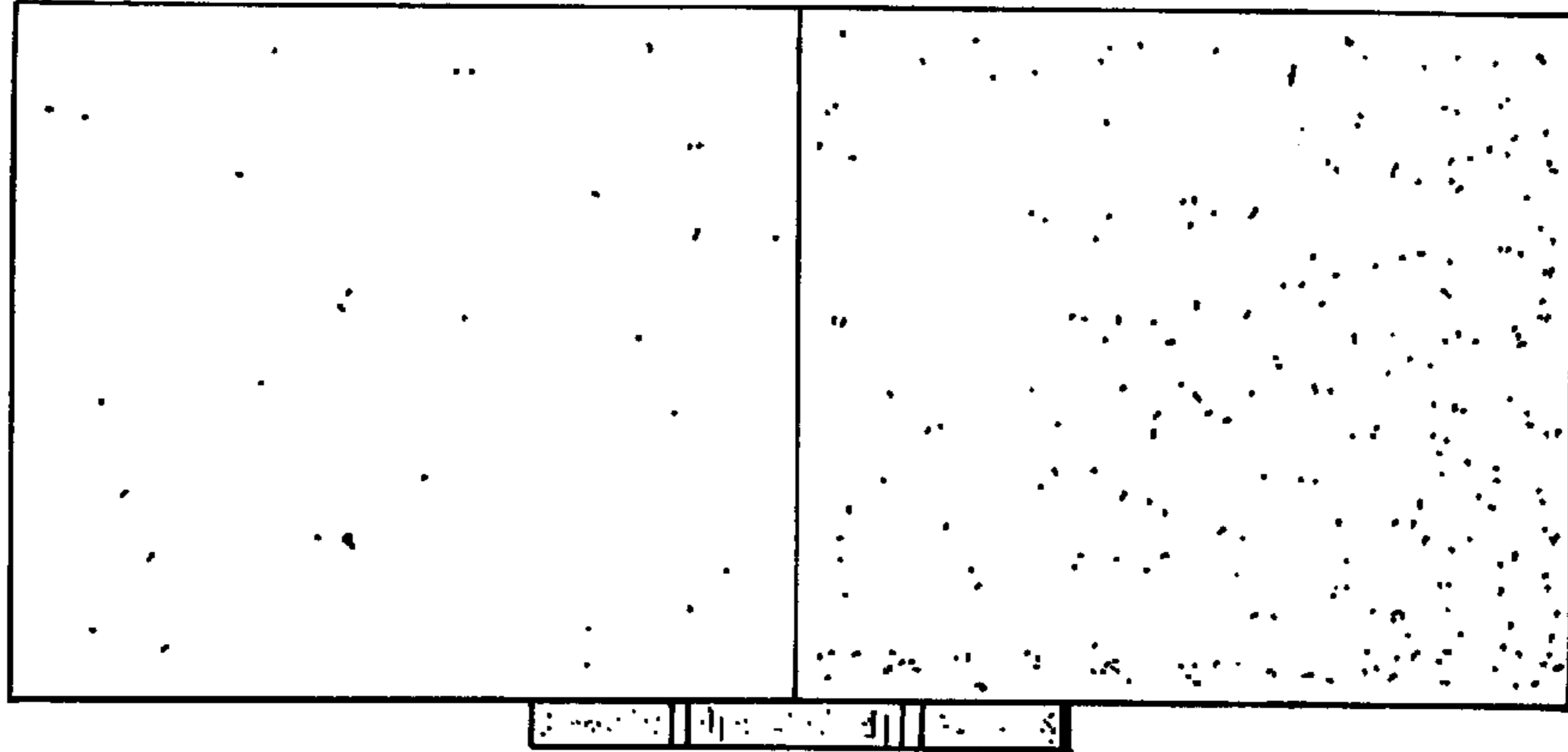


Fig. 17

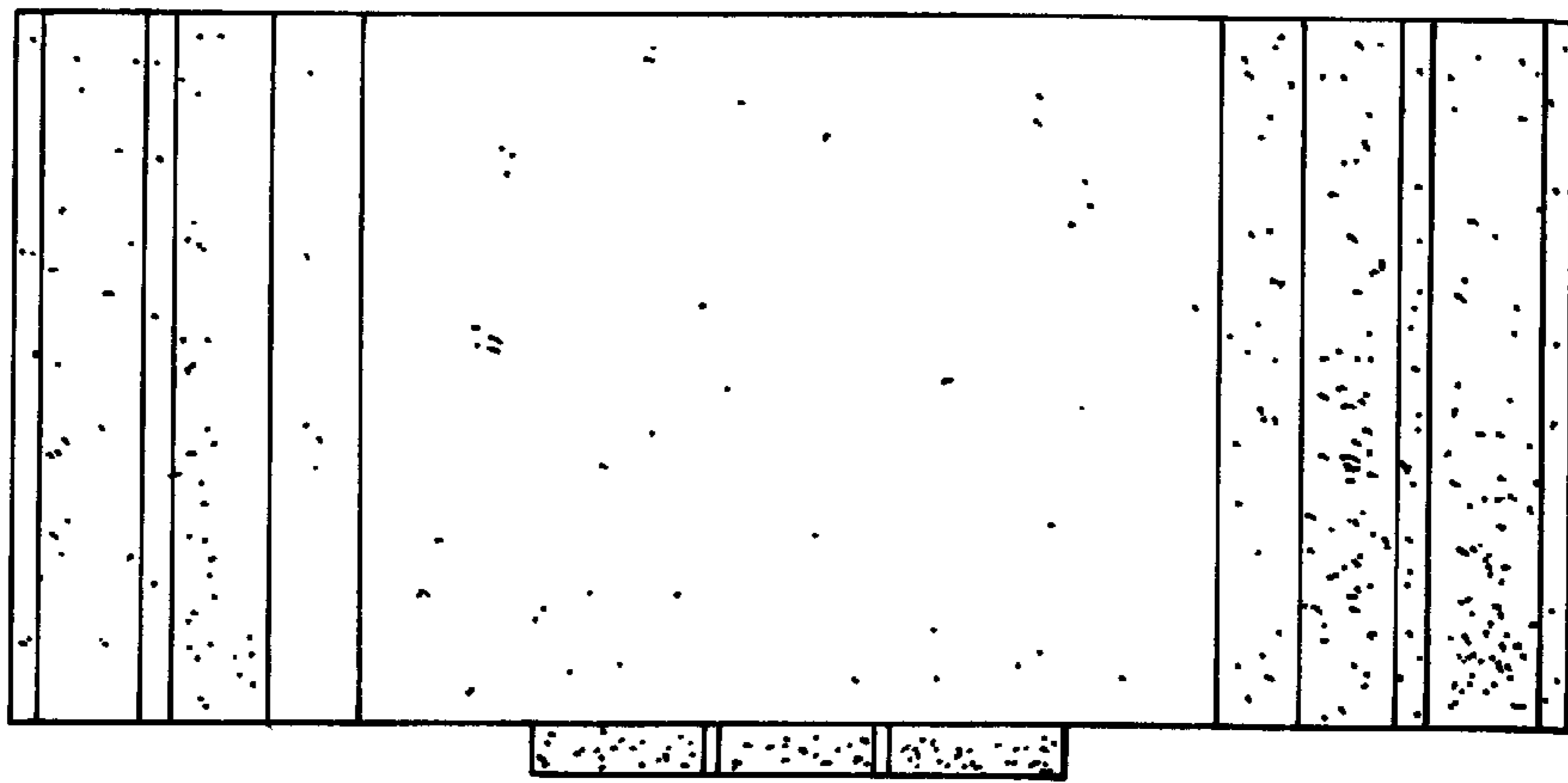


Fig. 18

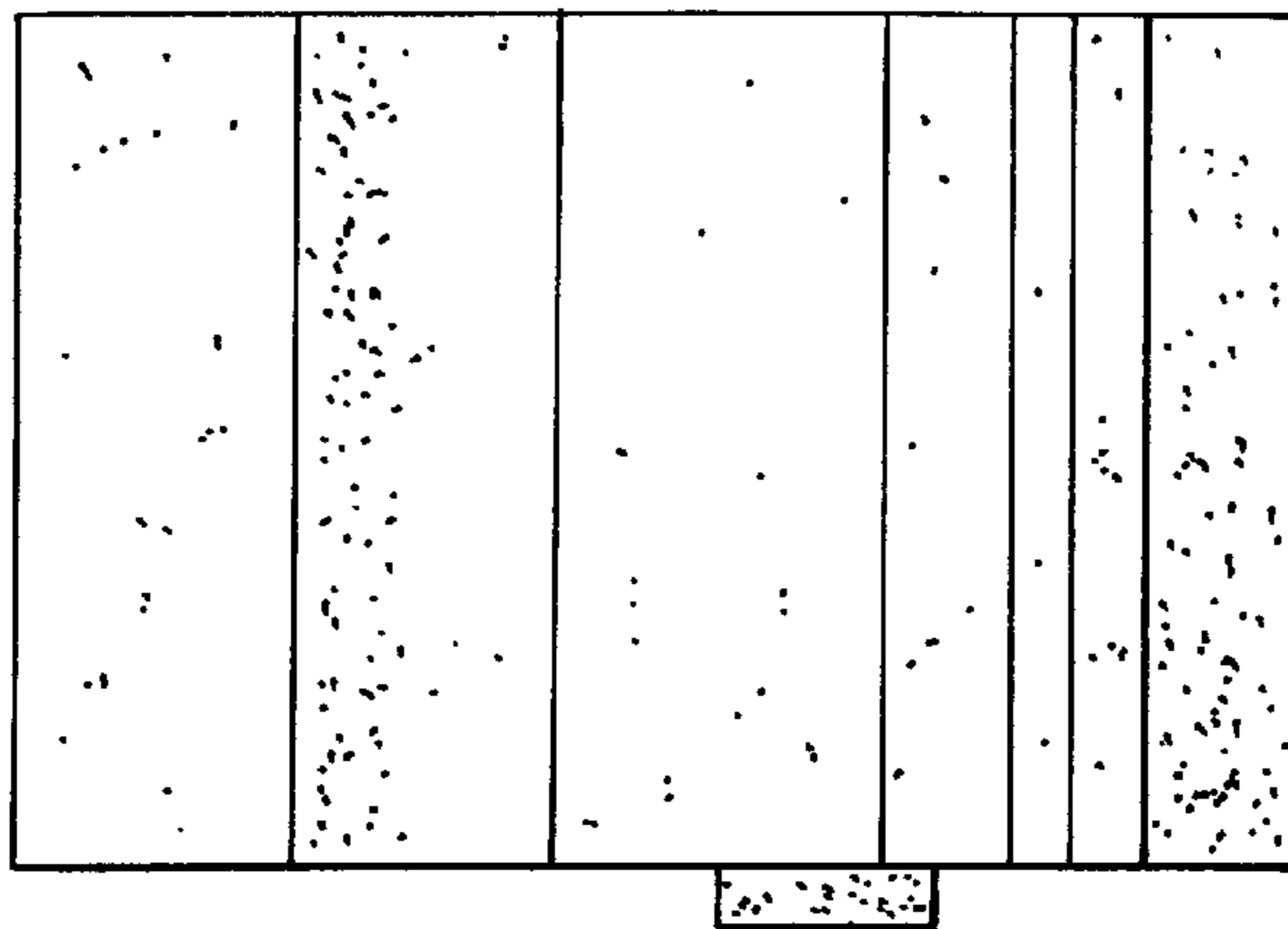


Fig. 19

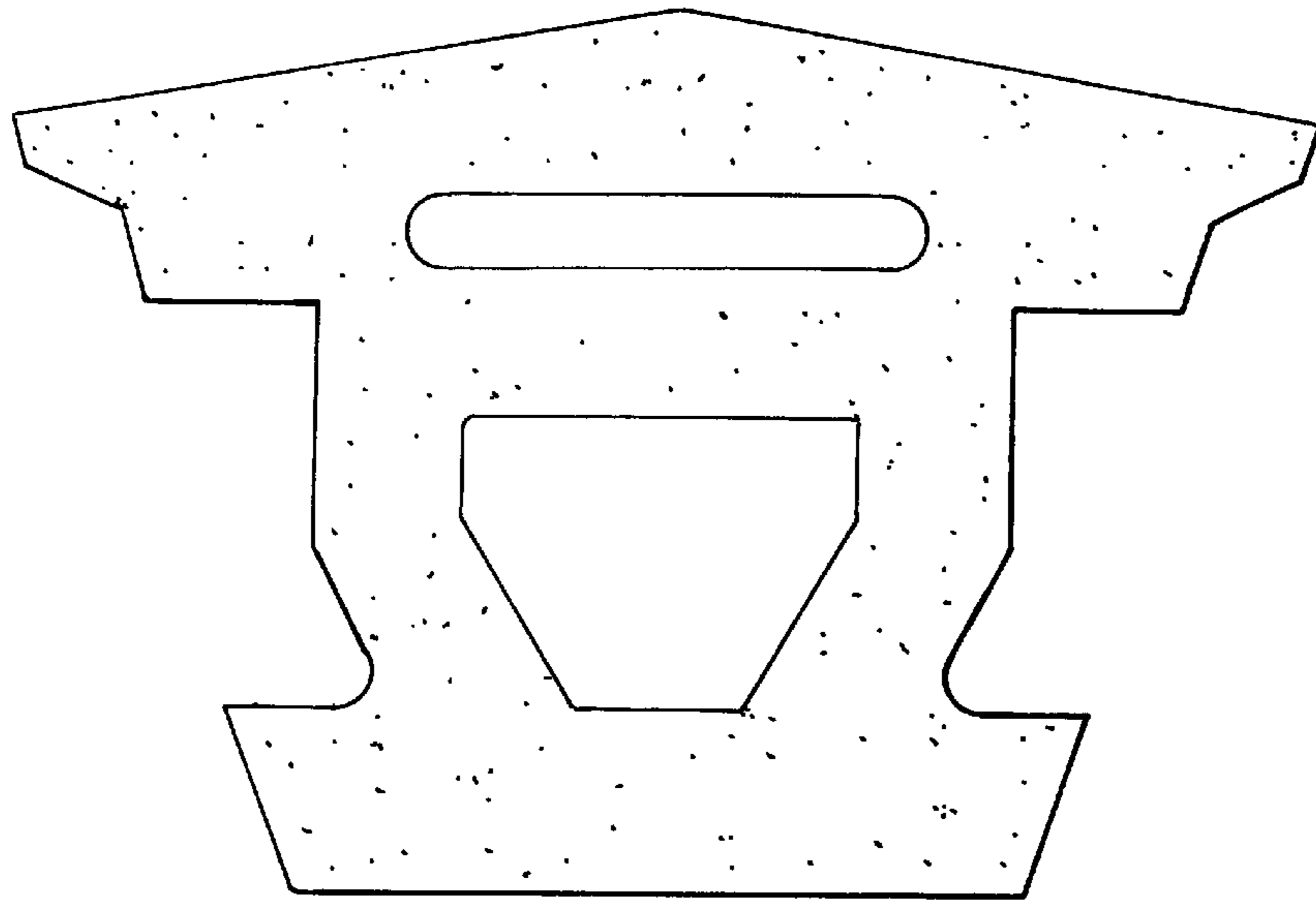


Fig. 20

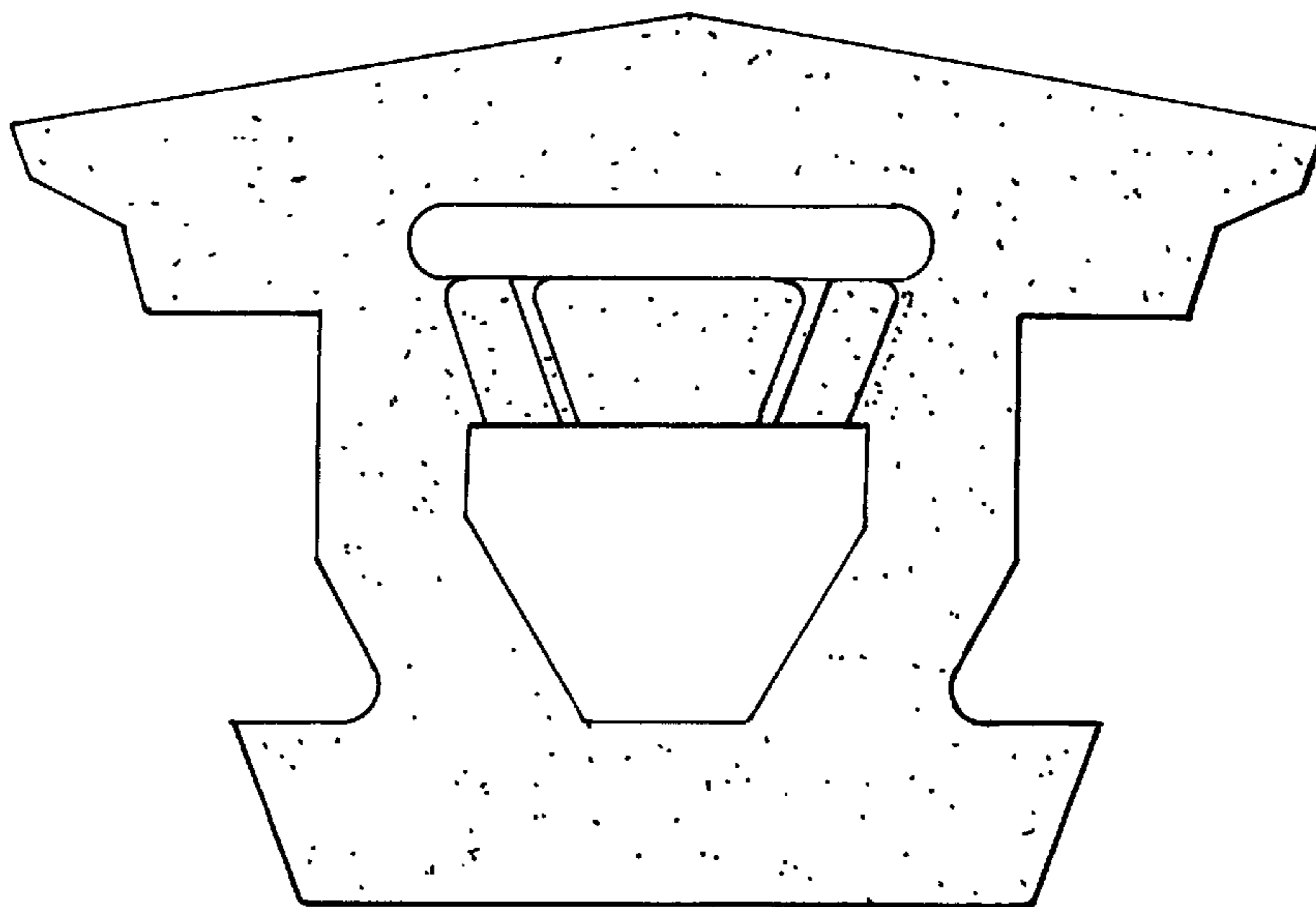


Fig. 21

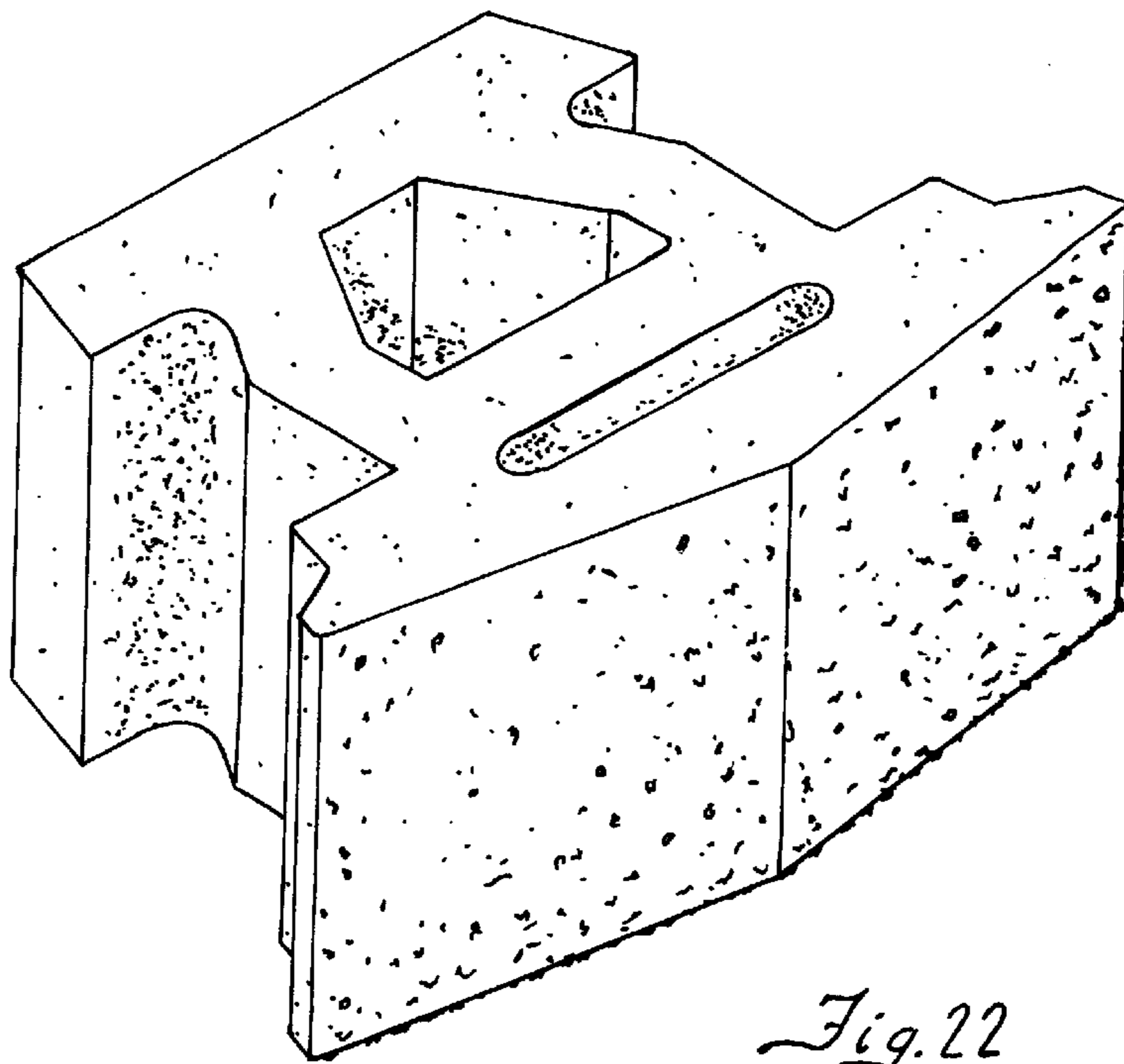


Fig. 22

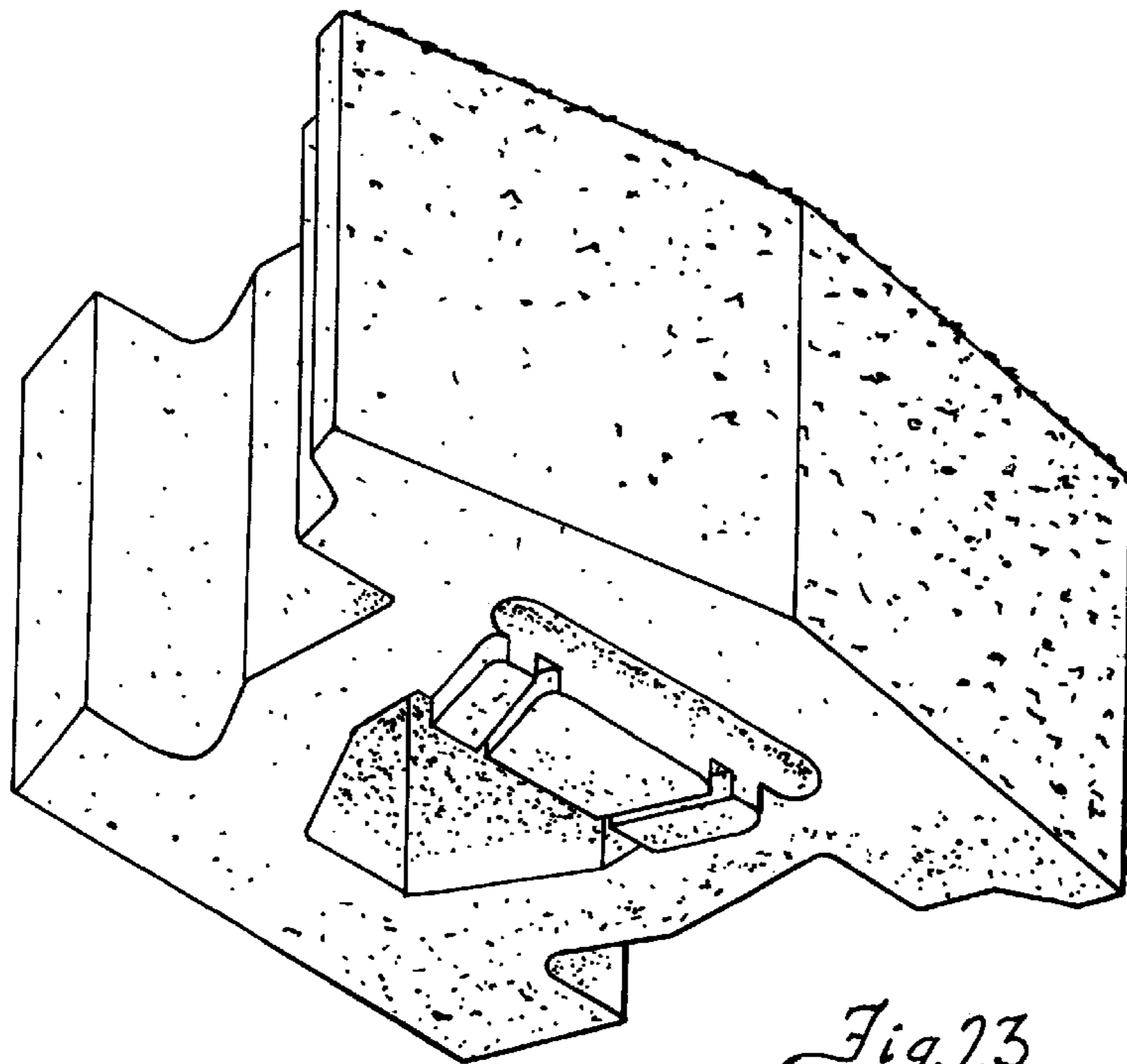


Fig. 23

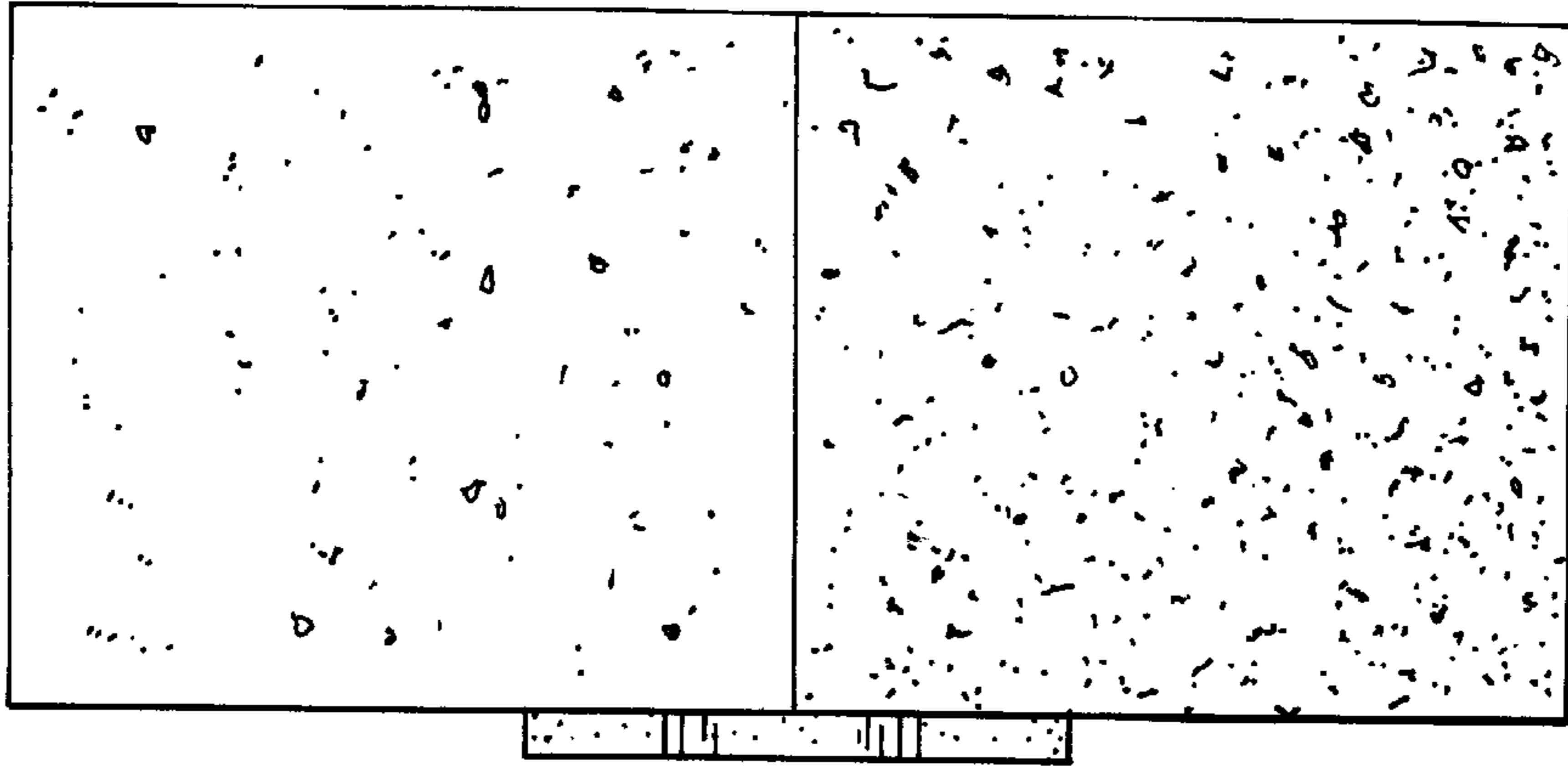


Fig. 24

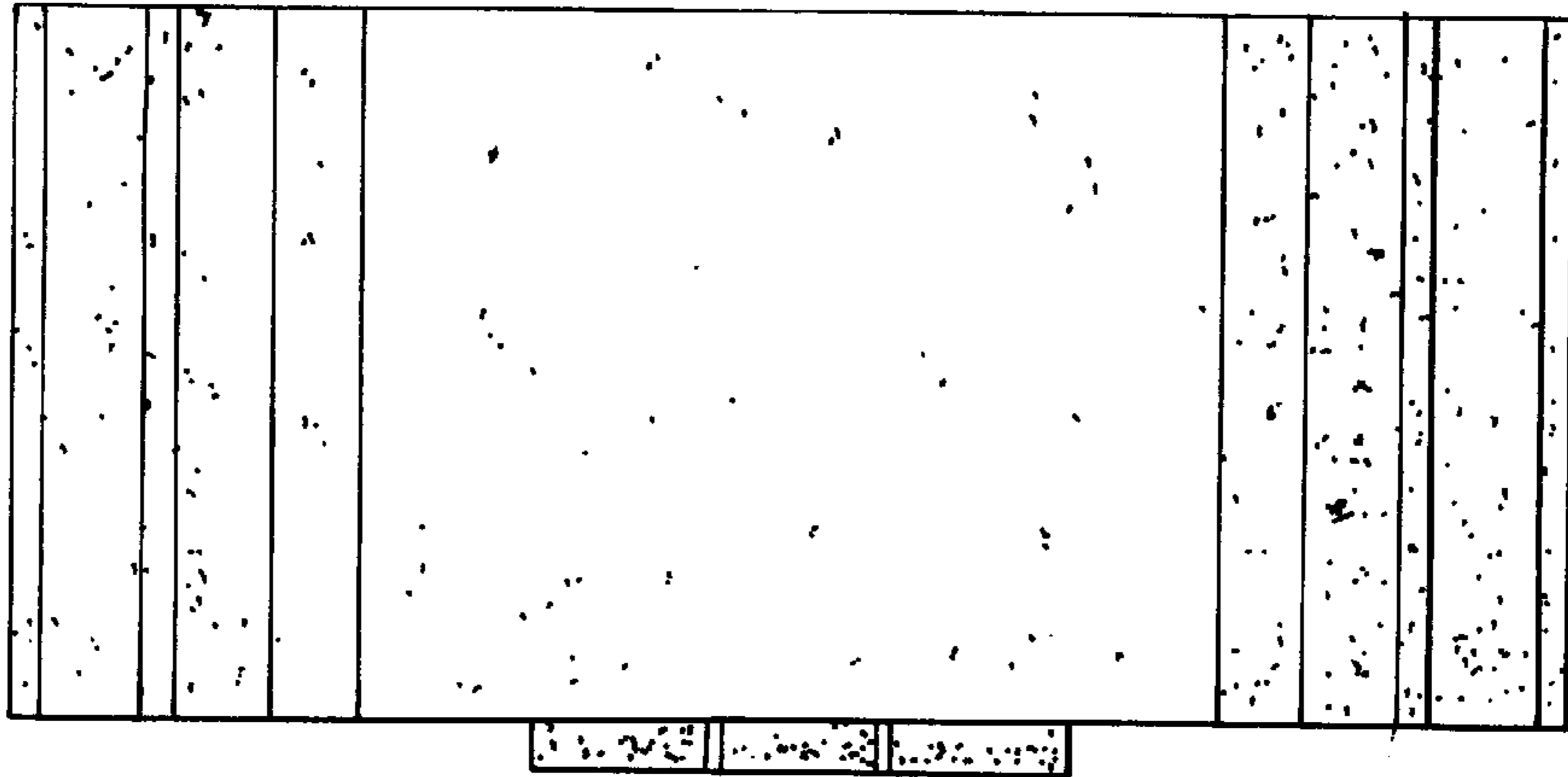


Fig. 25



Fig. 26

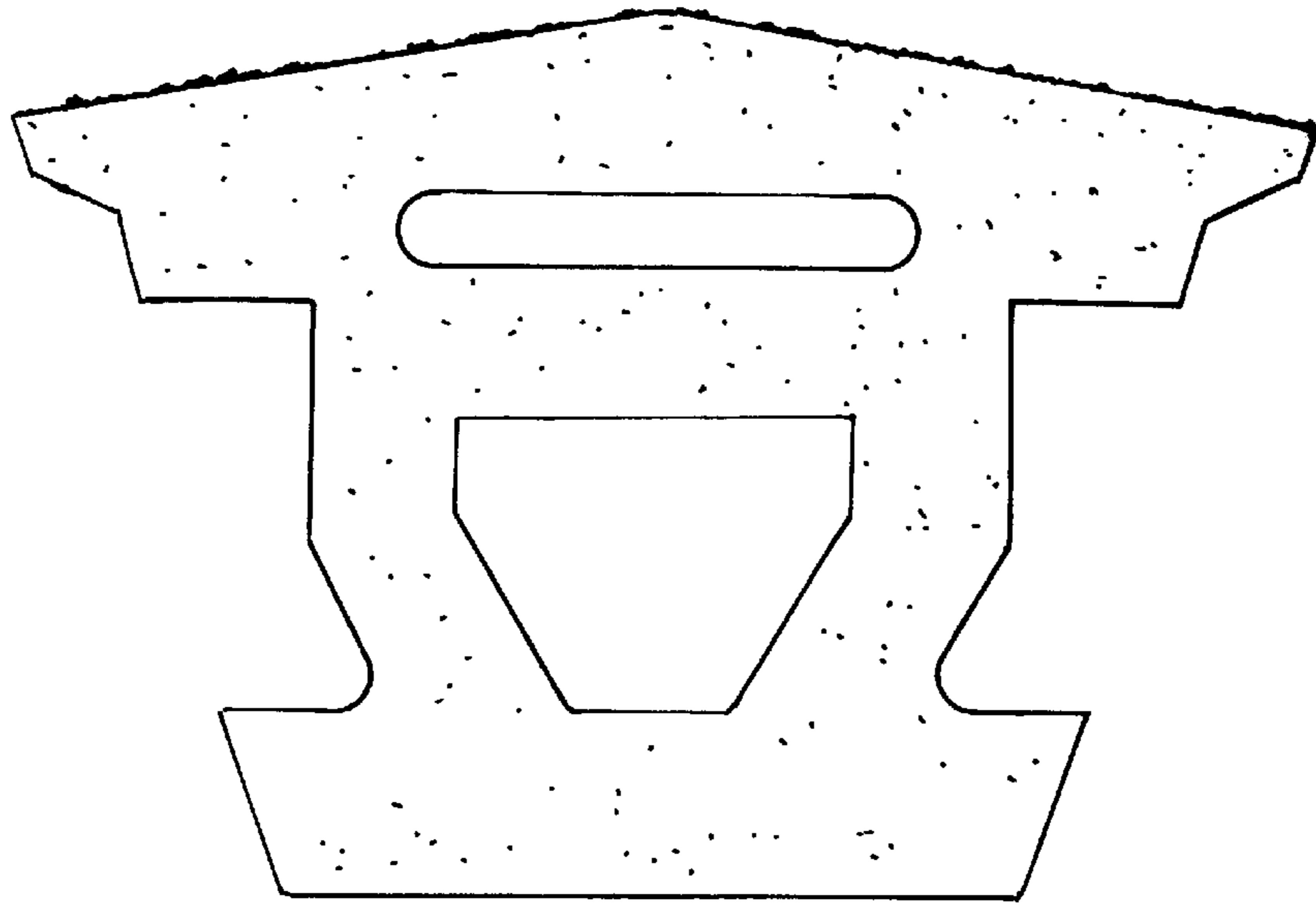


Fig. 27

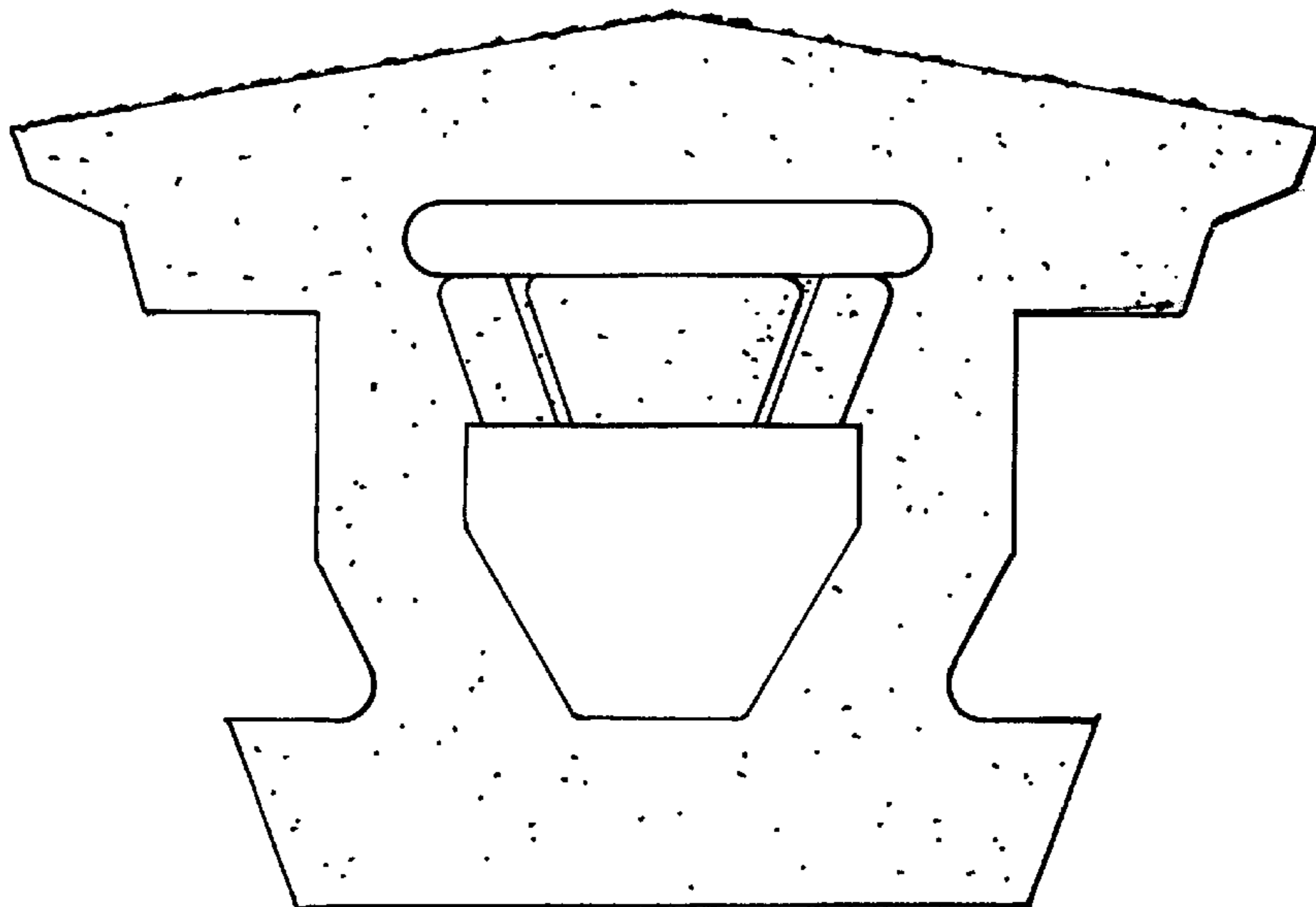


Fig. 28