



US00D405542S

United States Patent [19] Holdcroft

[11] **Patent Number: Des. 405,542**

[45] **Date of Patent: **Feb. 9, 1999**

[54] **STEP SUPPORT**

[76] Inventor: **James A. Holdcroft**, 2511 Spruce Dr.,
Bossier City, La. 71111

[**] Term: **14 Years**

[21] Appl. No.: **86,117**

[22] Filed: **Apr. 6, 1998**

[51] **LOC (6) Cl.** **25-04**

[52] **U.S. Cl.** **D25/62; D25/68**

[58] **Field of Search** **D25/62; 52/182,**
52/191; D8/349, 354, 363, 373, 380

[56] **References Cited**

U.S. PATENT DOCUMENTS

D. 14,560	1/1884	Reynolds	D25/68
4,875,315	10/1989	Champagne	52/191
5,791,101	8/1998	Wallace	52/182

Primary Examiner—Doris Clark
Attorney, Agent, or Firm—John M. Harrison

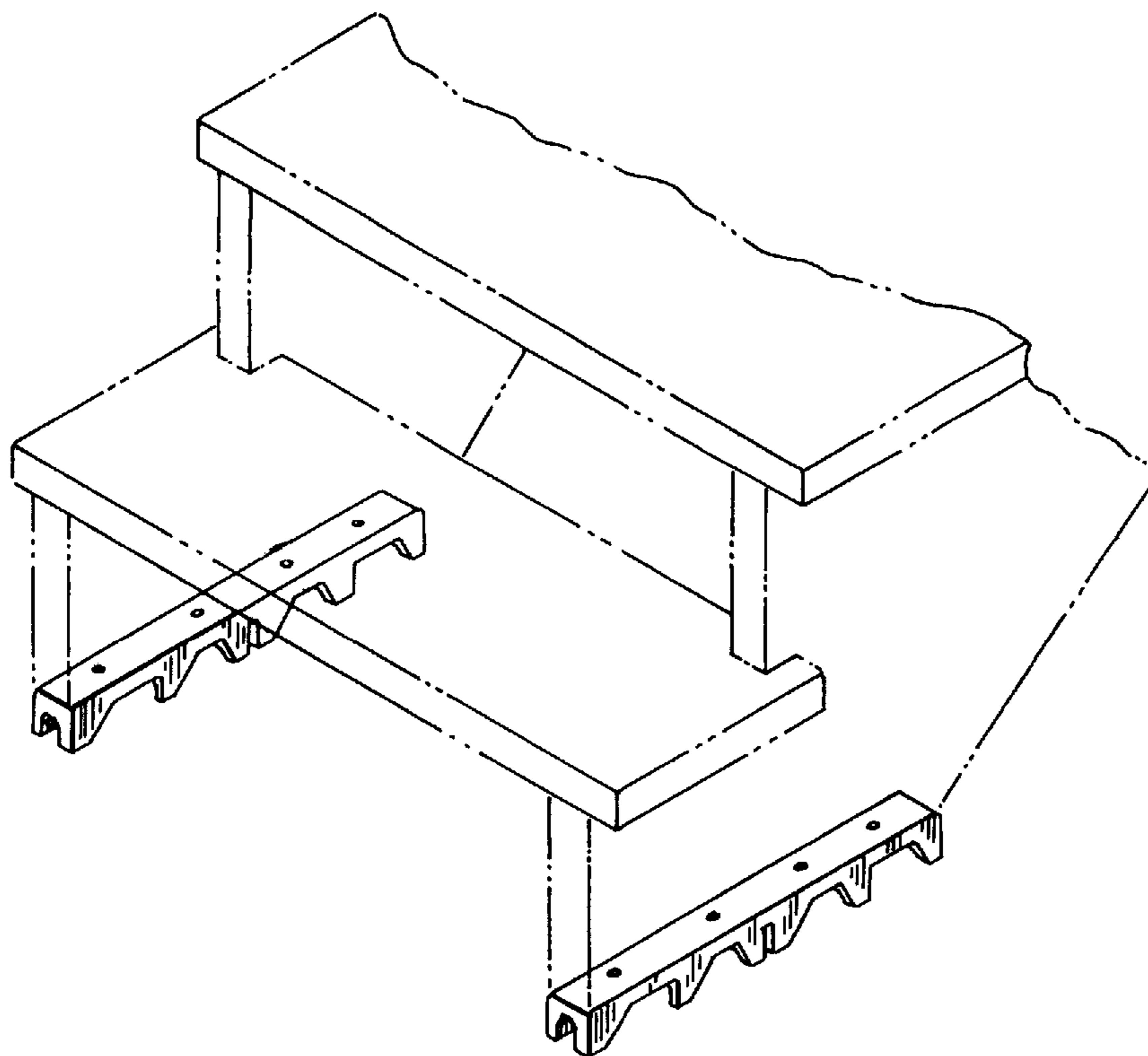
[57] **CLAIM**

The ornamental design for a “step support”, as shown and described.

DESCRIPTION

FIG. 1 is a perspective view of the step support, showing my new design; and
FIG. 2 is a front elevational view, the rear being identical thereto;
FIG. 3 is an enlarged inverted view of one of the projections;
FIG. 4 is a top plan view;
FIG. 5 is a side elevational view, the opposite side being identical thereto; and,
FIG. 6 is a bottom plan view thereof.
The broken lines illustrating steps are for illustrative purposes only and form no part of the claimed design.

1 Claim, 1 Drawing Sheet



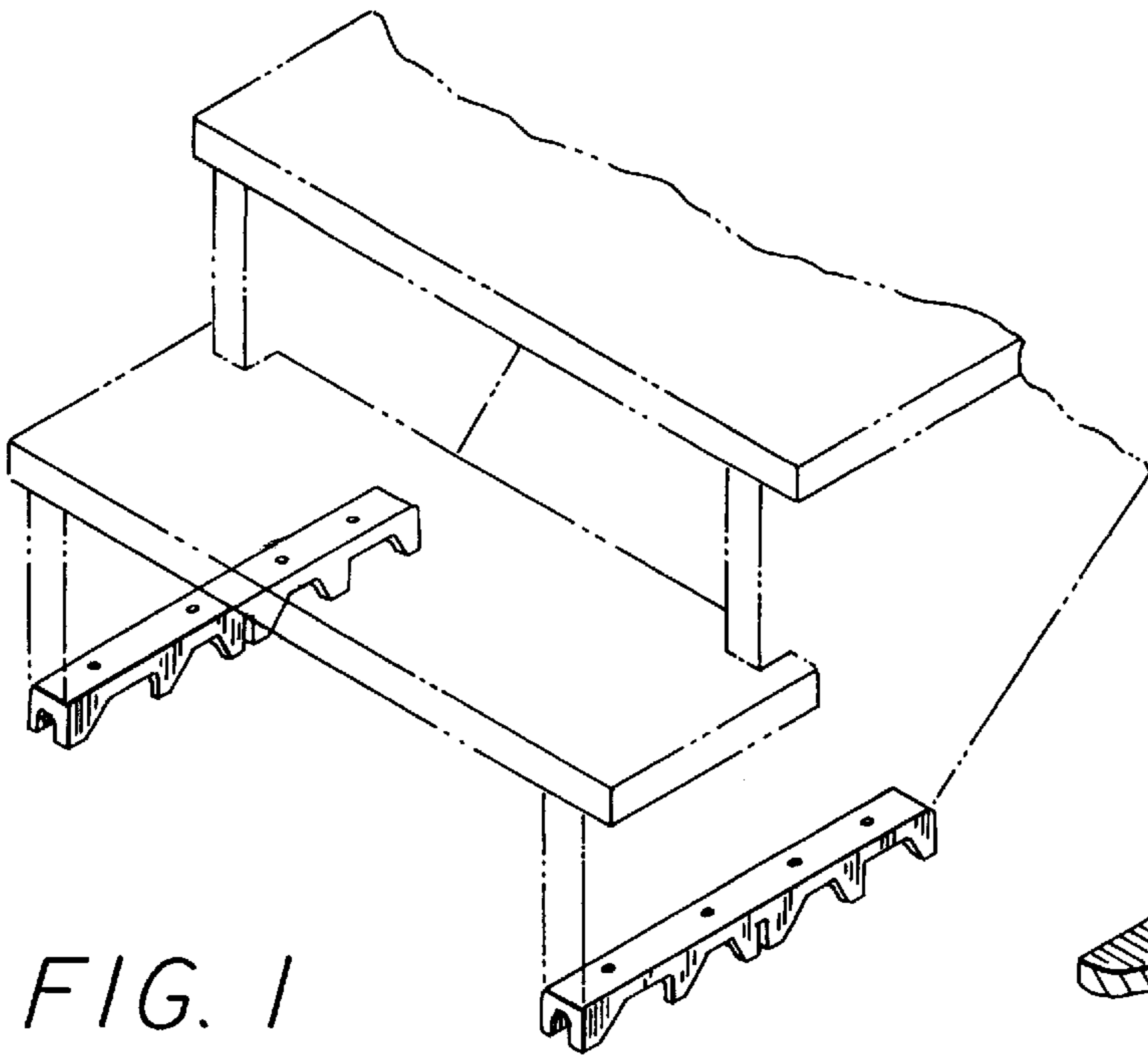


FIG. 1

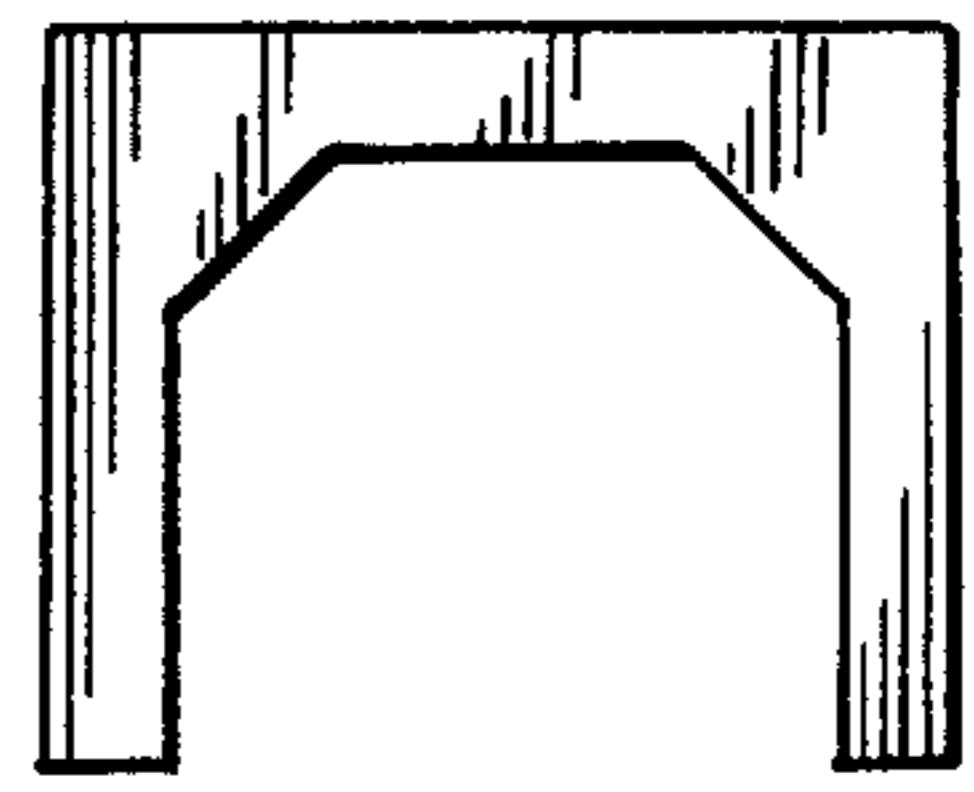


FIG. 2

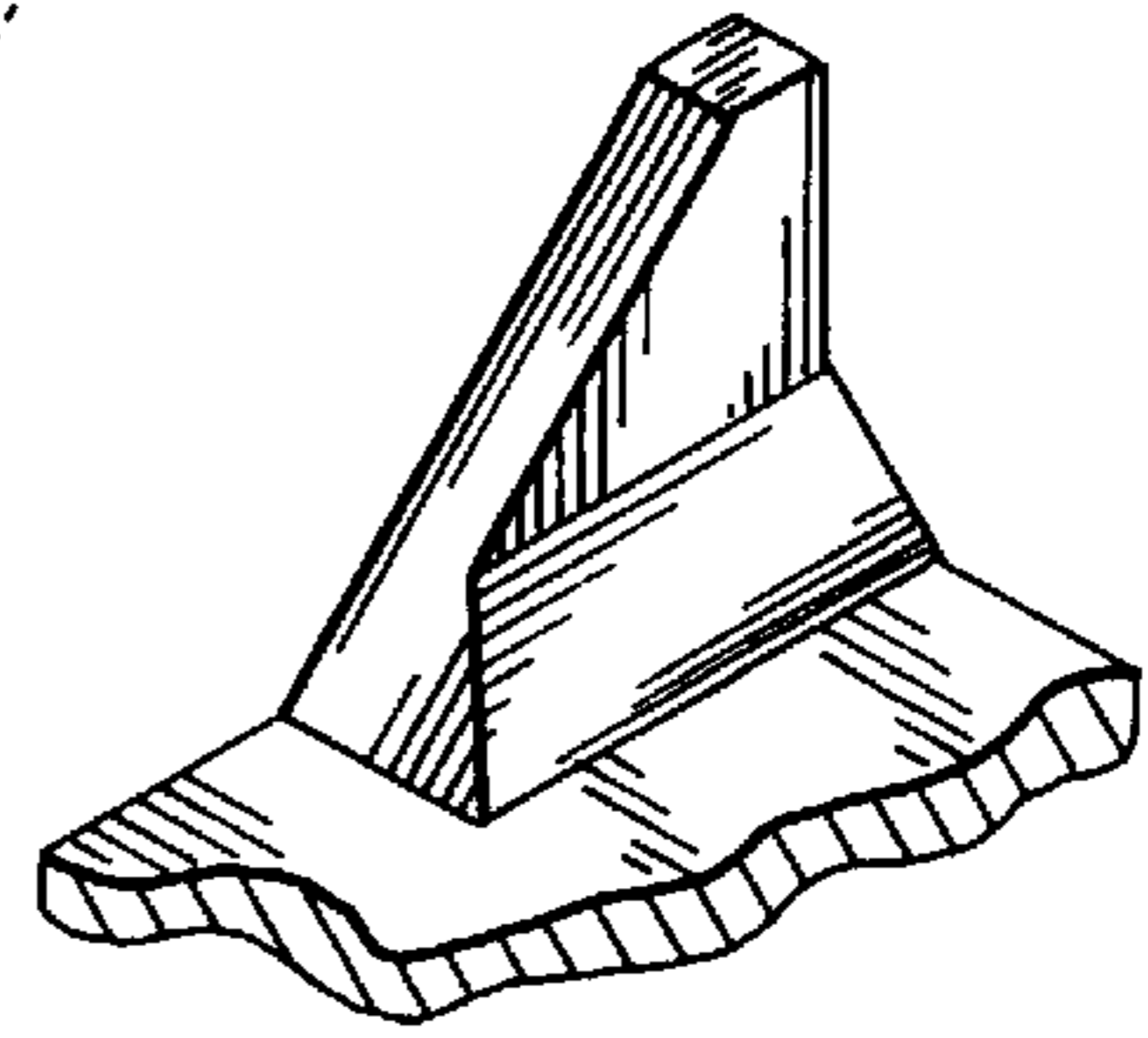


FIG. 3

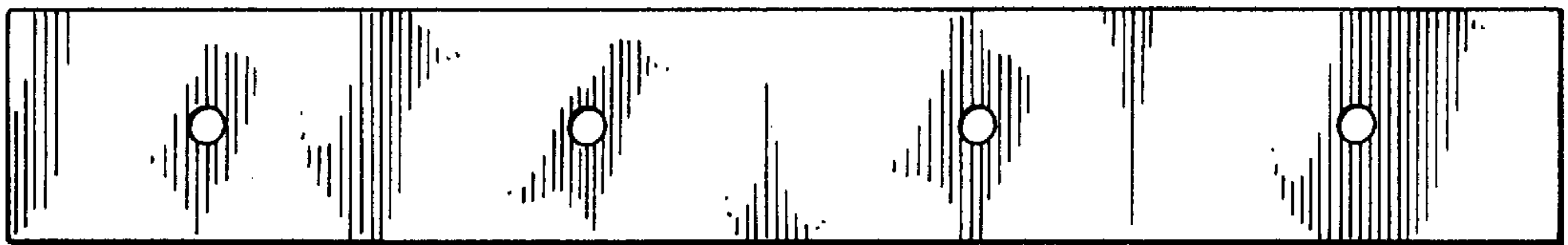


FIG. 4

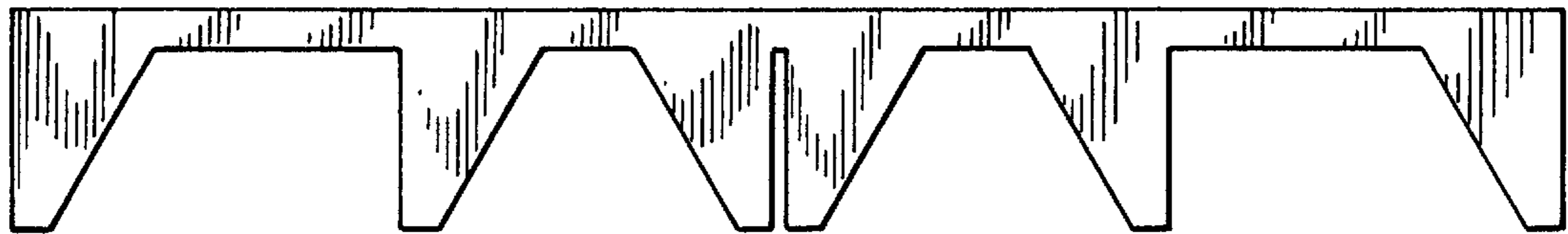


FIG. 5

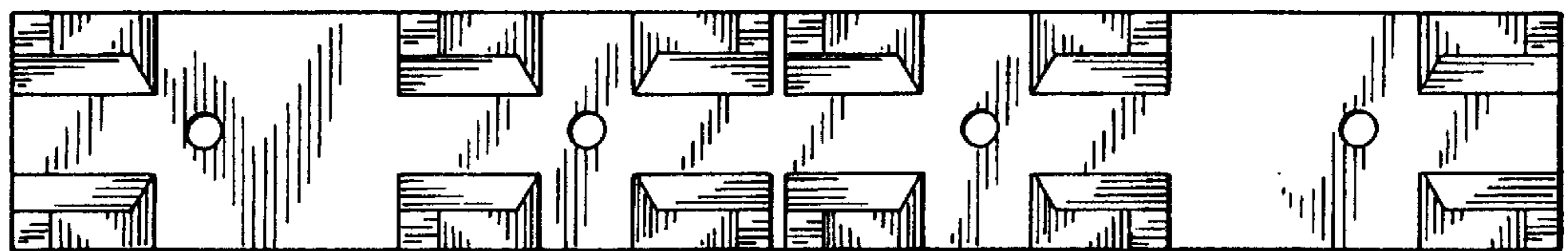


FIG. 6