



US00D405539S

United States Patent [19]

Poissant et al.

[11] Patent Number: **Des. 405,539**

[45] Date of Patent: ****Feb. 9, 1999**

[54] **IMMUNOASSAY TEST KIT WITH FUNNEL**

[75] Inventors: **Philip Poissant; Peter Lea**, both of Toronto; **Nisar Shaikh**, Mississauga, all of Canada

[73] Assignee: **Spectral Diagnostics, Inc.**, Toronto, Canada

[**] Term: **14 Years**

[21] Appl. No.: **47,872**

[22] Filed: **Dec. 18, 1995**

Related U.S. Application Data

[63] Continuation-in-part of Ser. No. 22,275, May 3, 1994, abandoned, and Ser. No. 368,791, Jan. 4, 1995, which is a continuation-in-part of Ser. No. 237,374, May 3, 1994, abandoned.

[51] **LOC (6) Cl.** **24-01**

[52] **U.S. Cl.** **D24/223**

[58] **Field of Search** D24/216, 223, D24/224, 226; 422/58, 61, 102; 435/5, 7; 436/520

[56] **References Cited**

U.S. PATENT DOCUMENTS

D. 319,103	8/1991	Chiu	D24/223
D. 324,426	3/1992	Fan et al.	D24/226
D. 328,135	7/1992	Fan et al.	D24/223
4,847,199	7/1989	Snyder et al.	422/102 X
4,943,522	7/1990	Eisenger et al.	435/7
5,238,652	8/1993	Sun et al.	422/58 X

Primary Examiner—Stella Reid
Attorney, Agent, or Firm—Klauber & Jackson

[57] **CLAIM**

The ornamental design for an immunoassay test kit with a funnel, as shown and described.

DESCRIPTION

FIG. 1 is a perspective view of an immunoassay test kit with funnel showing our new design, with the funnel removed; FIG. 2 is a perspective view thereof, with the funnel attached; FIG. 3 is a top plan view thereof; and, FIG. 4 is a bottom plan view thereof.

1 Claim, 2 Drawing Sheets

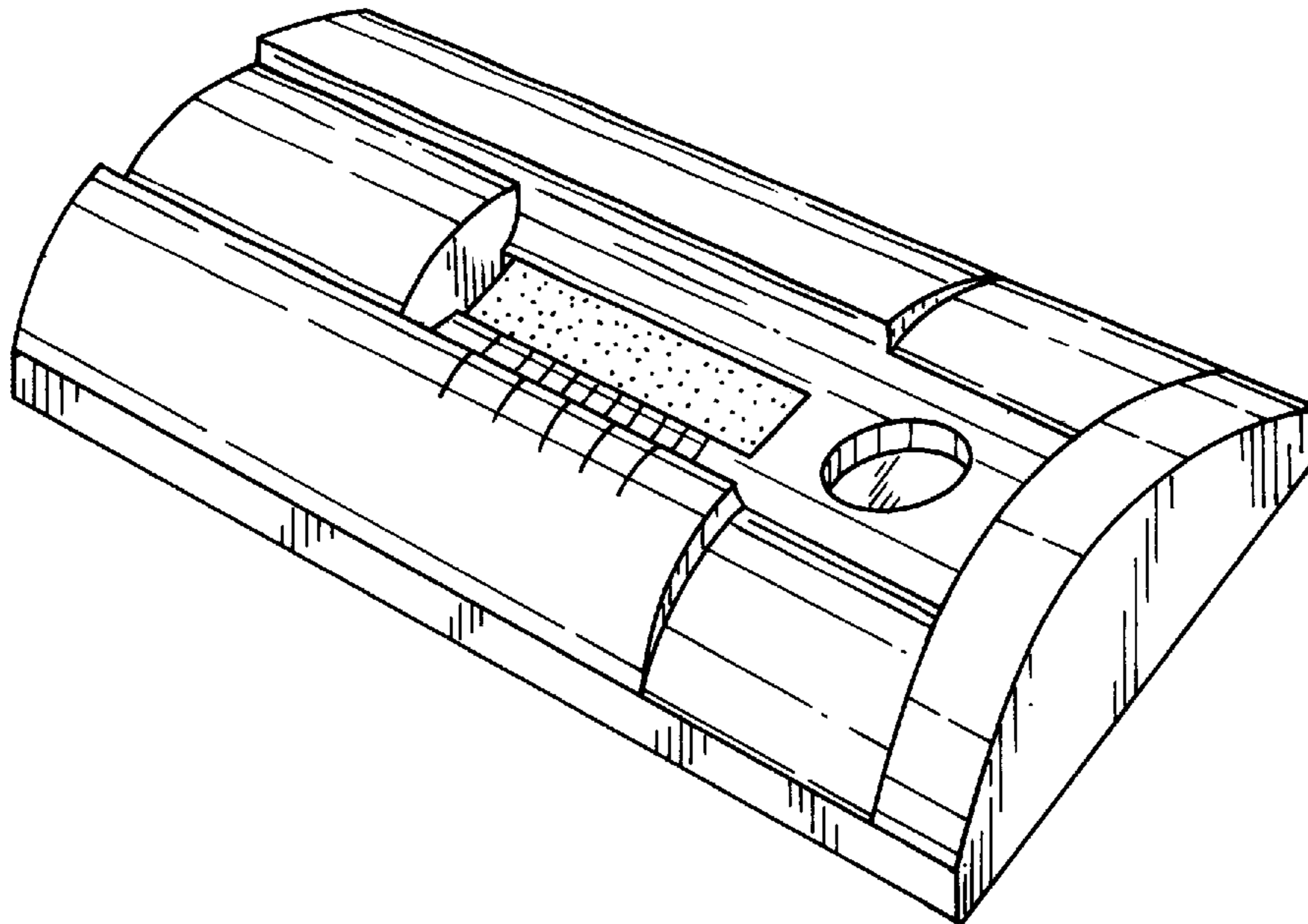


FIG. 1

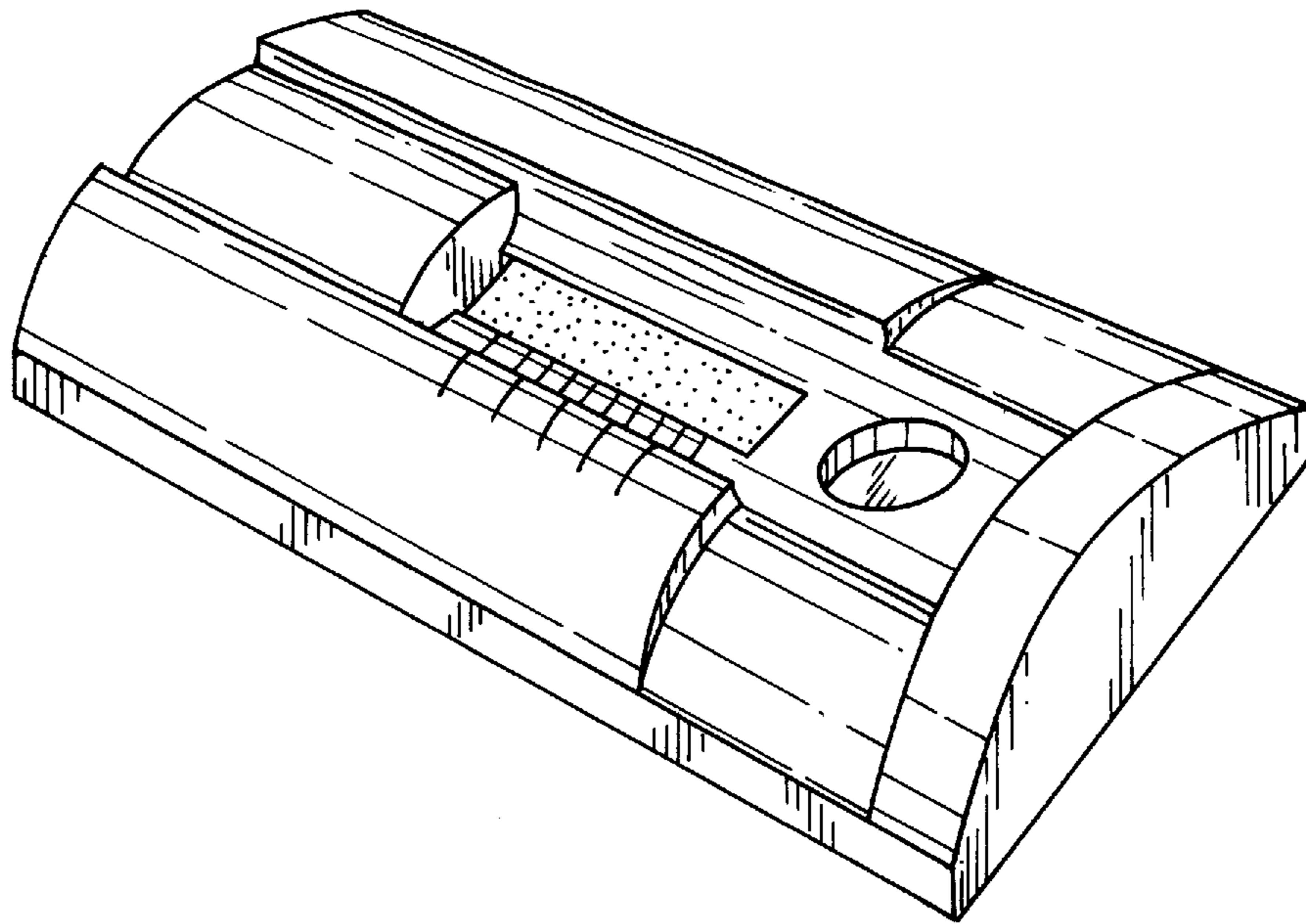


FIG. 2

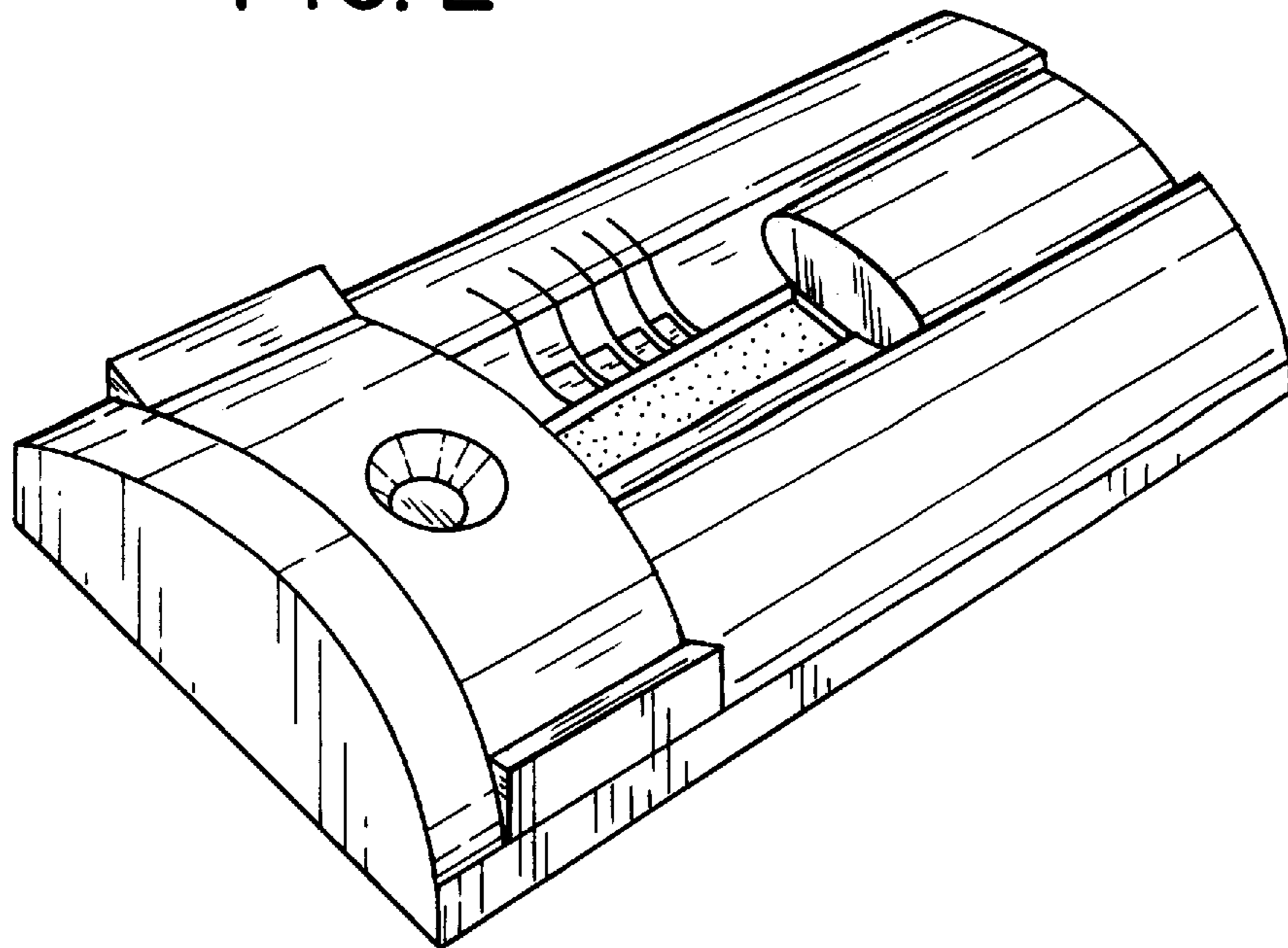


FIG. 3

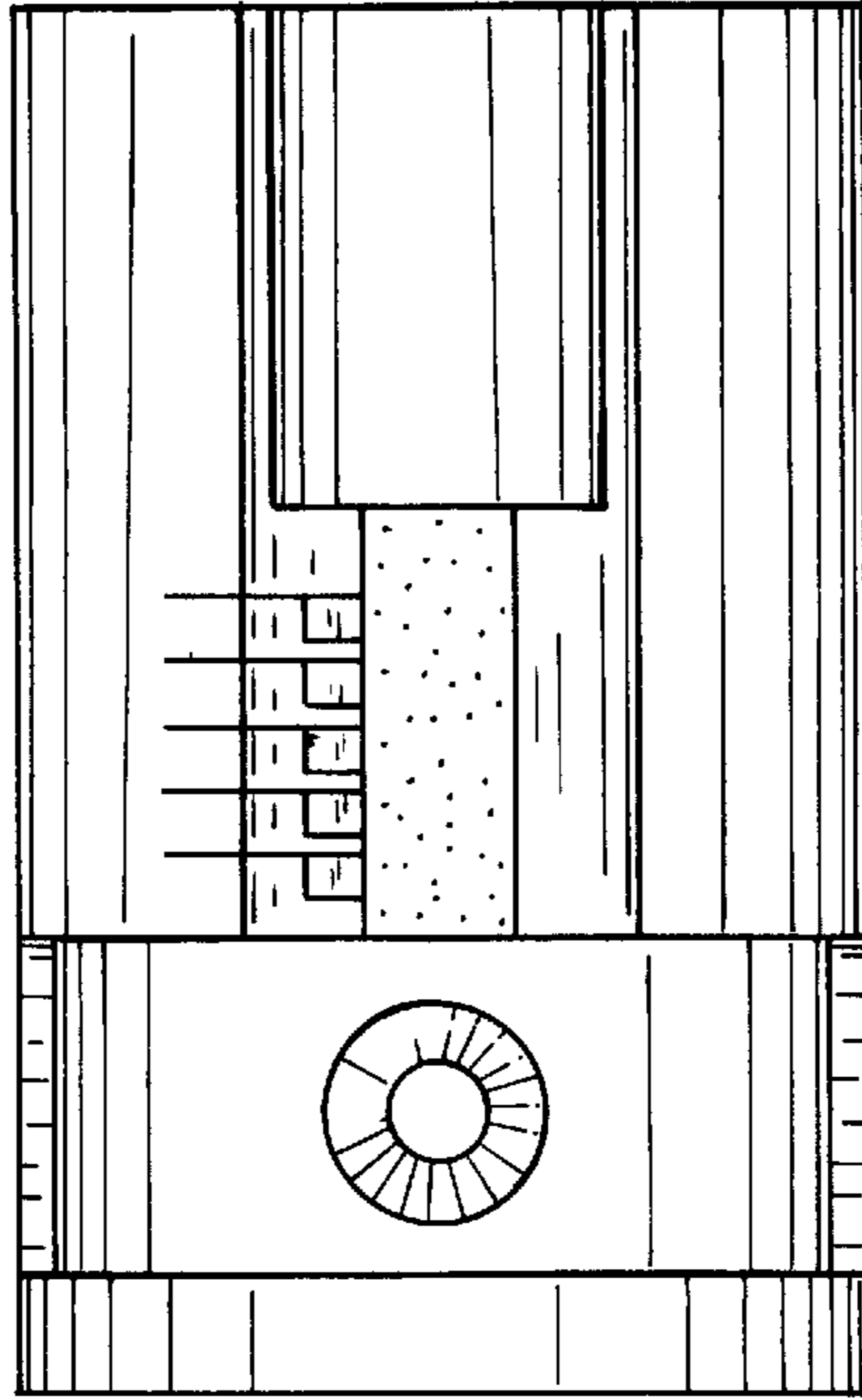


FIG. 4

