



US00D405538S

United States Patent [19] Chih

[11] **Patent Number: Des. 405,538**

[45] **Date of Patent: **Feb. 9, 1999**

[54] **HEAD MASSAGER**

[76] Inventor: **Wu Shu Chih**, 9Fl., 585, Chung Cheng Rd., Yung Ho City, Taipei Hsien, Taiwan

[**] Term: **14 Years**

[21] Appl. No.: **85,235**

[22] Filed: **Mar. 18, 1998**

[51] **LOC (6) Cl. 28-03**

[52] **U.S. Cl. D24/215**

[58] **Field of Search** D24/215, 200;
601/70, 71, 79, 85, 97, 136; 607/108, 109,
110

[56] **References Cited**

U.S. PATENT DOCUMENTS

- D. 293,932 1/1988 Ramseyer D24/215
- D. 348,520 7/1994 Wolf D24/215
- D. 353,007 11/1994 Weiner et al. D24/200

- D. 368,141 3/1996 Rabin et al. D24/215
- 4,506,659 3/1985 Chester 601/97
- 5,421,799 6/1995 Rabin et al. 601/71
- 5,486,156 1/1996 Takach 601/70

Primary Examiner—Stella Reid
Attorney, Agent, or Firm—Pro-Techtor International Services

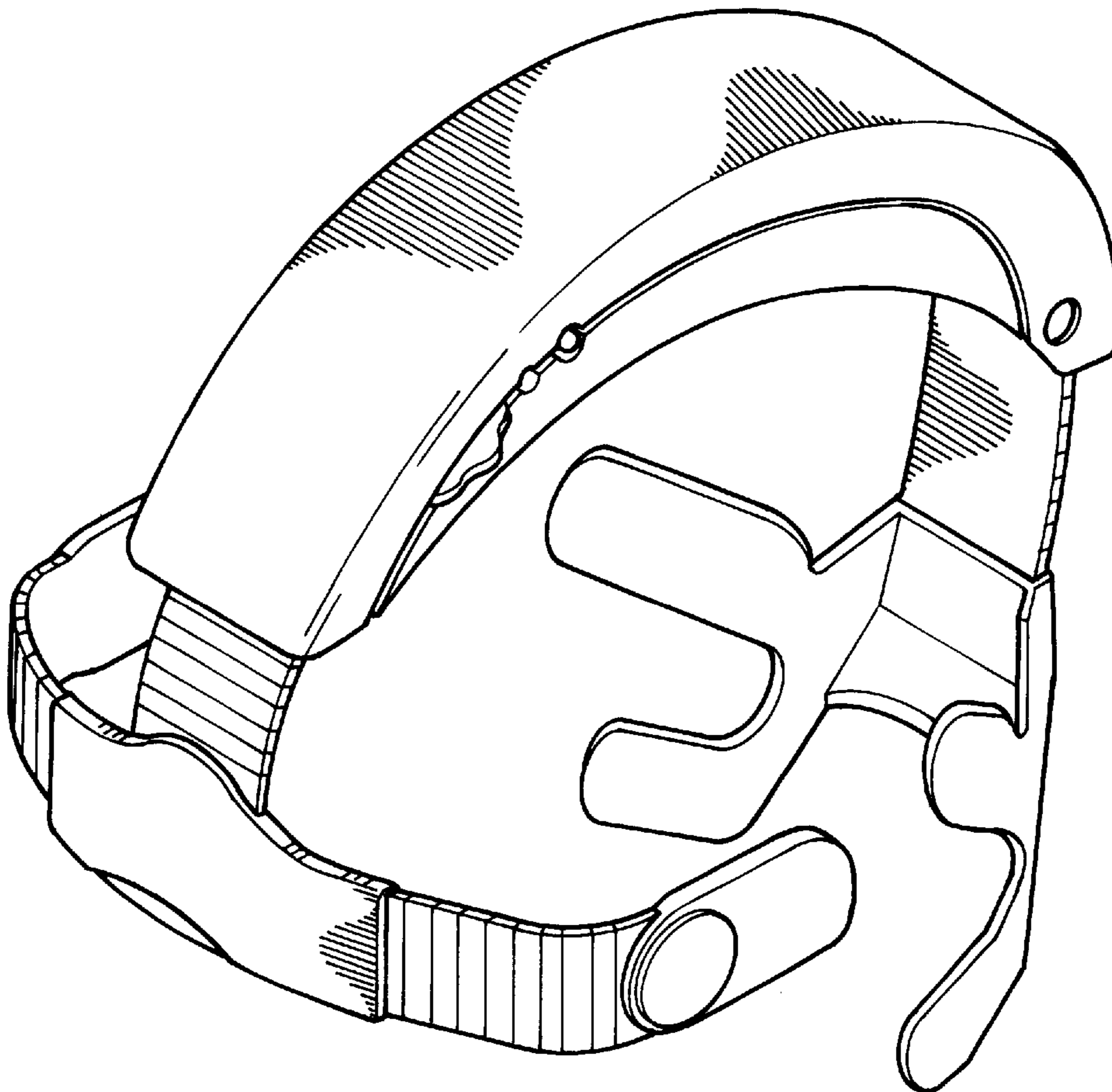
[57] **CLAIM**

The ornamental design for a head massager, as shown.

DESCRIPTION

FIG. 1 is a front view of a head massager, showing my new design;
FIG. 2 is a back view thereof;
FIG. 3 is a left side view thereof;
FIG. 4 is a right side view thereof;
FIG. 5 is a top view thereof;
FIG. 6 is a bottom view thereof; and,
FIG. 7 is a perspective view thereof.

1 Claim, 7 Drawing Sheets



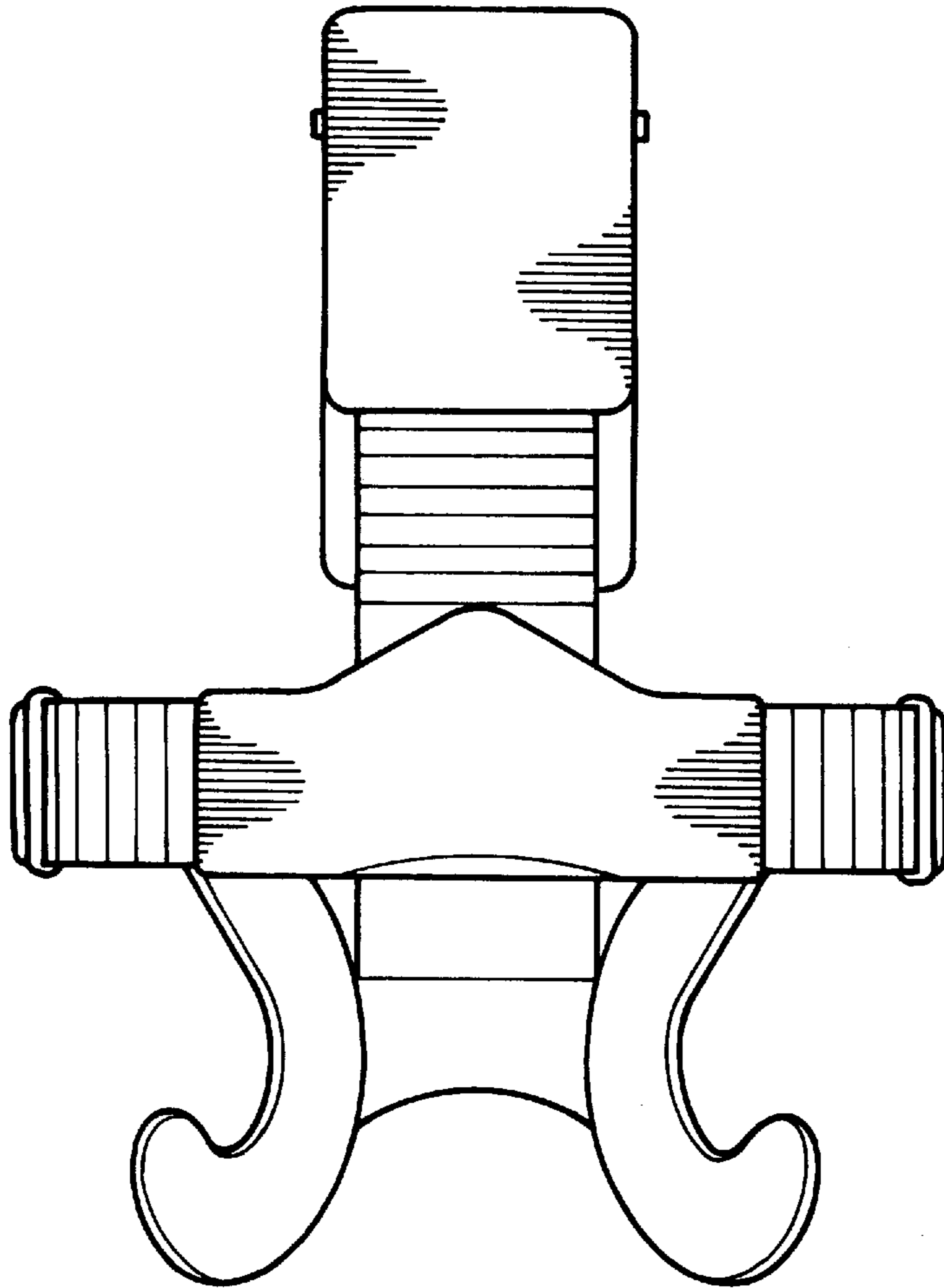


FIG. 1

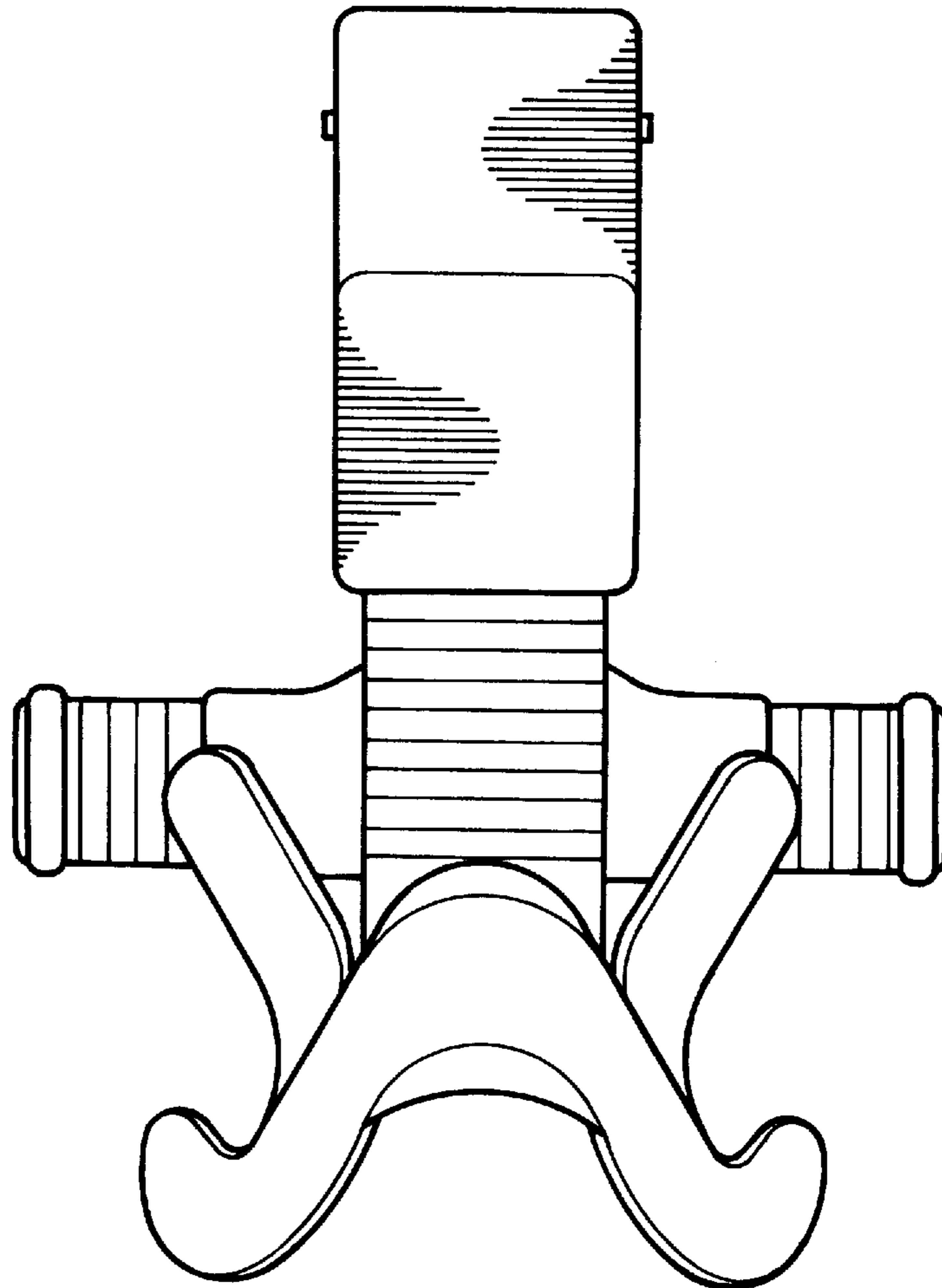


FIG. 2

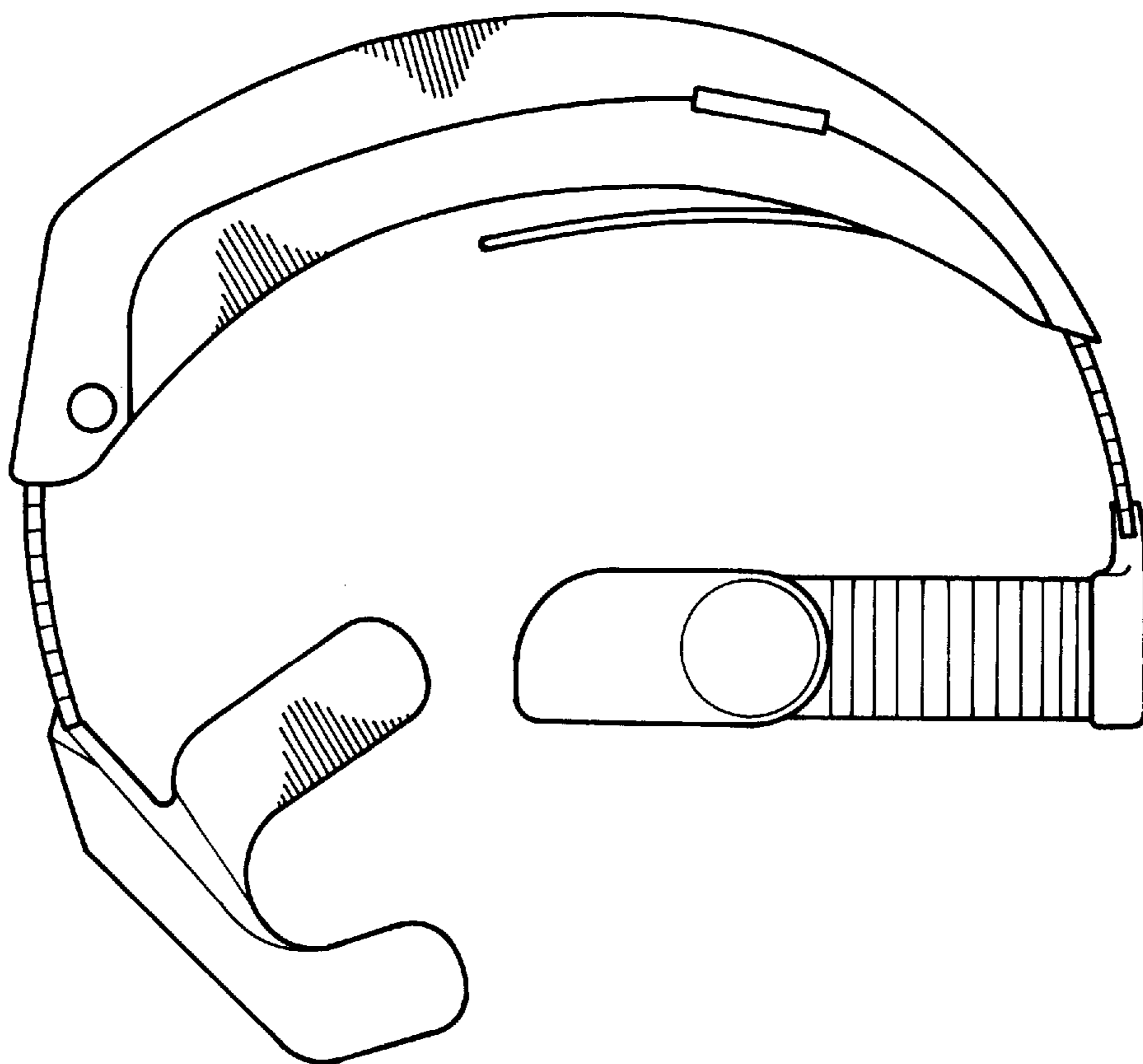


FIG. 3

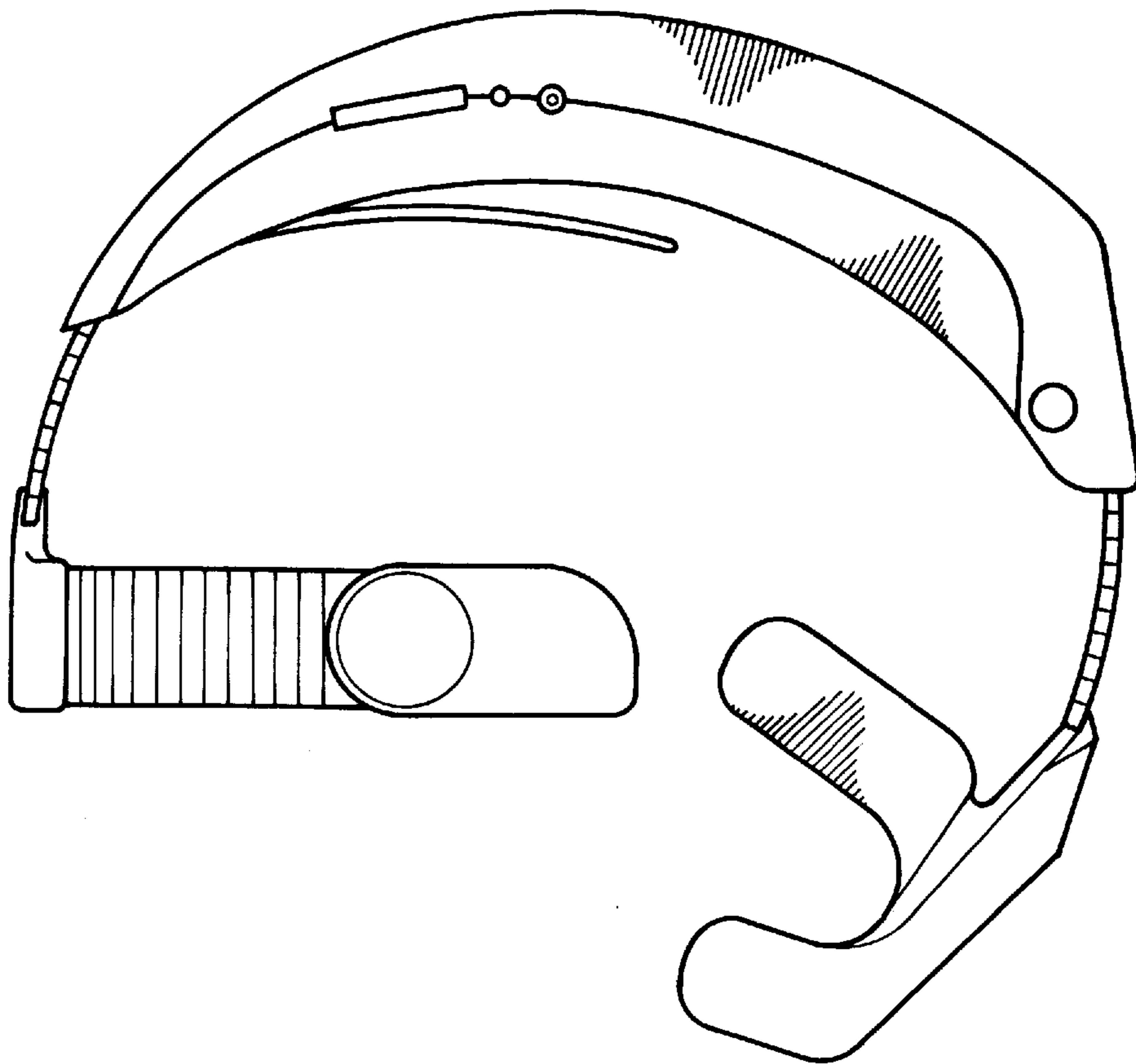


FIG. 4

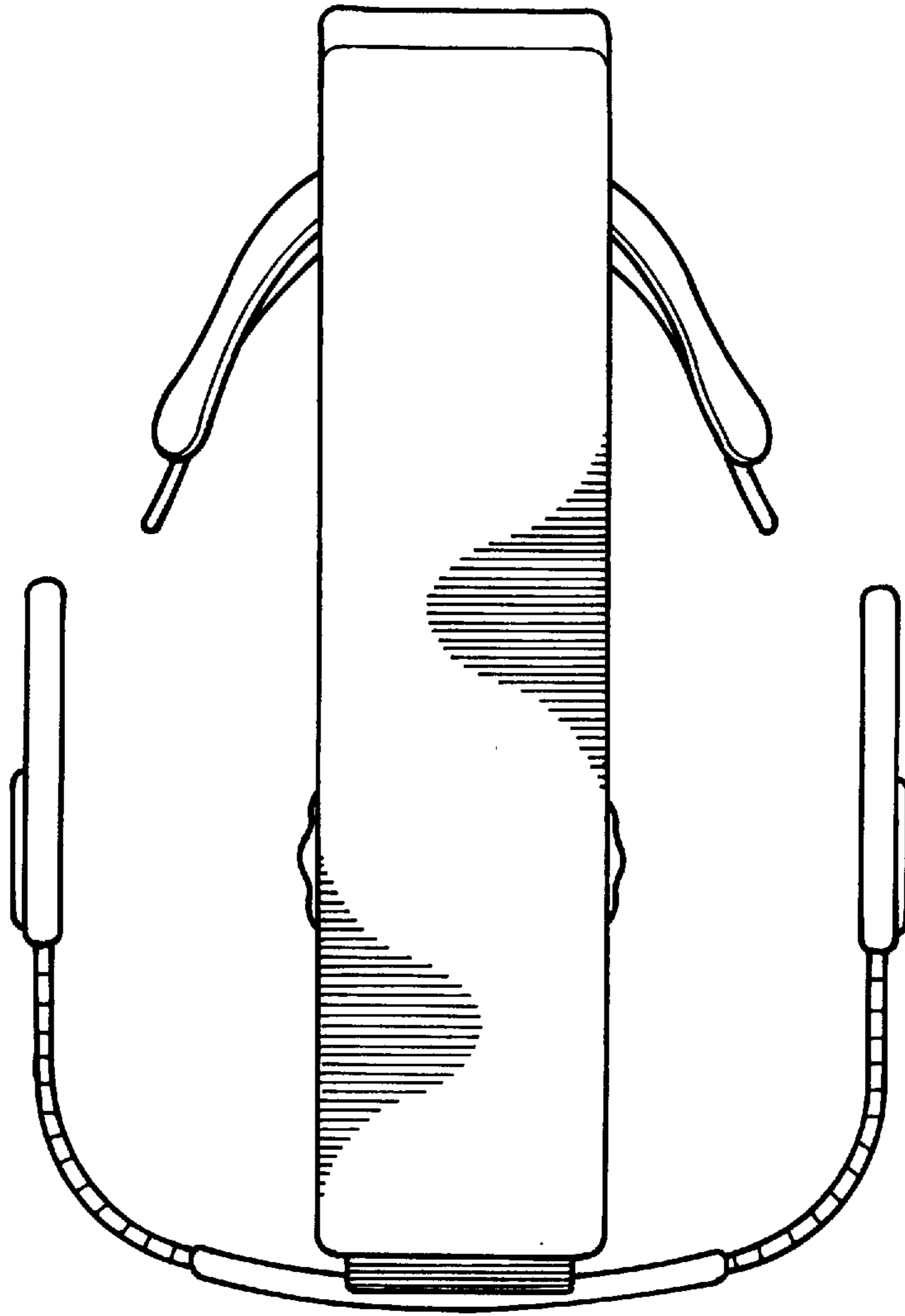


FIG. 5

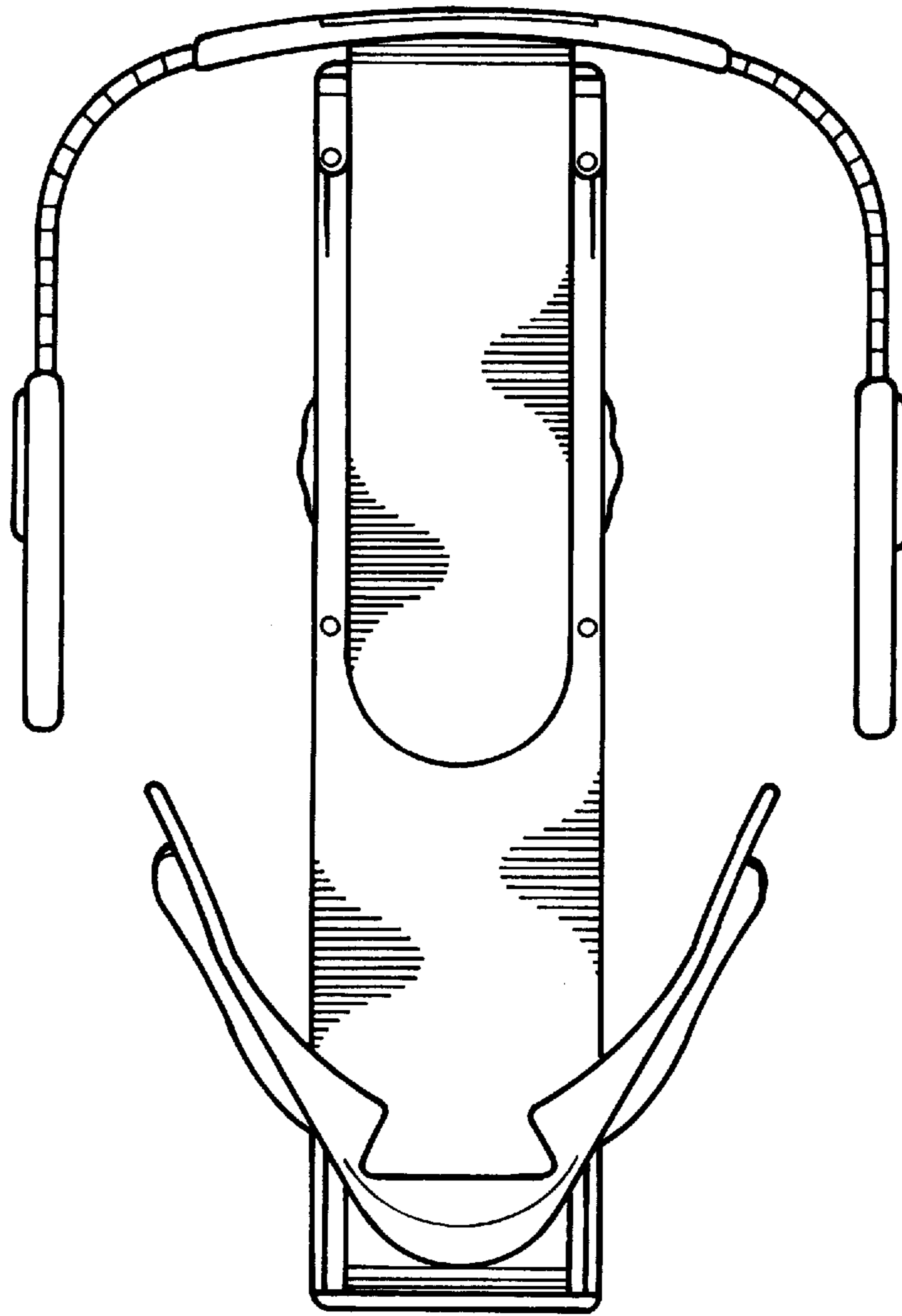


FIG. 6

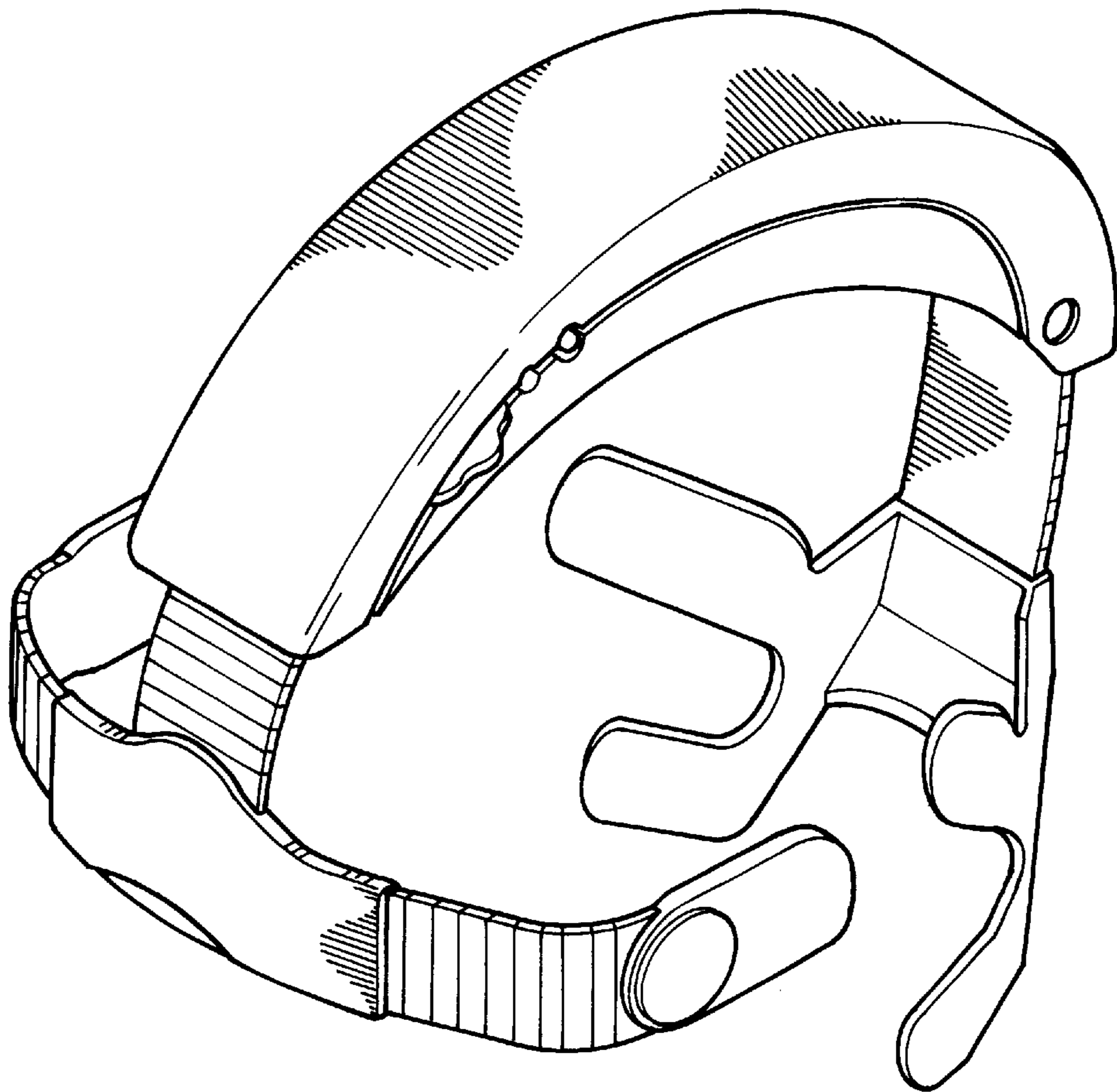


FIG. 7