



US00D405537S

United States Patent [19]

Taylor et al.

[11] Patent Number: Des. 405,537

[45] Date of Patent: **Feb. 9, 1999

[54] **VIBRATING BODY MASSAGER**

[75] Inventors: **Charles Taylor**, Sebastopol; **Kenneth Tarlow**, Corte Madera, both of Calif.

[73] Assignee: **The Sharper Image**, San Francisco, Calif.

[**] Term: **14 Years**

[21] Appl. No.: **80,769**

[22] Filed: **Dec. 16, 1997**

[51] **LOC (6) Cl.** **25-03**

[52] **U.S. Cl.** **D24/215**

[58] **Field of Search** D24/215, 200;
607/108, 109, 110; 601/70, 79, 85

[56] **References Cited**

U.S. PATENT DOCUMENTS

D. 293,932	1/1988	Ramseyer	D24/215
D. 348,520	7/1994	Wolf	D24/215
D. 353,007	11/1994	Weiner et al.	D24/200
D. 368,141	3/1996	Rabin et al.	D24/215
4,506,659	3/1985	Chester	601/97
5,421,799	6/1995	Rabin et al.	601/71
5,486,156	1/1996	Takach	601/70

Primary Examiner—Stella Reid
Attorney, Agent, or Firm—Flehr Hohbach Test Albritton & Herbert LLP

[57] **CLAIM**

The ornamental design for a vibrating body massager, as shown and described.

DESCRIPTION

FIG. 1 is a perspective view of a vibrating body massager, showing our new design, the broken line showing is for illustrative purposes only and forms no part of the claimed design;

FIG. 2 is a perspective view thereof;

FIG. 3 is a front view thereof;

FIG. 4 is a rear view thereof;

FIG. 5 is a side view thereof, the opposite side view being identical;

FIG. 6 is a top view thereof;

FIG. 7 is a bottom view thereof;

FIG. 8 is a perspective view of a second embodiment of the vibrating head massager;

FIG. 9 is a front view thereof;

FIG. 10 is a rear view thereof;

FIG. 11 is a side view thereof, the opposite side view being identical;

FIG. 12 is a perspective view of a third embodiment of the vibrating head massager;

FIG. 13 is a front view thereof;

FIG. 14 is a rear view thereof; and,

FIG. 15 is a side view thereof.

1 Claim, 12 Drawing Sheets





FIG. 1

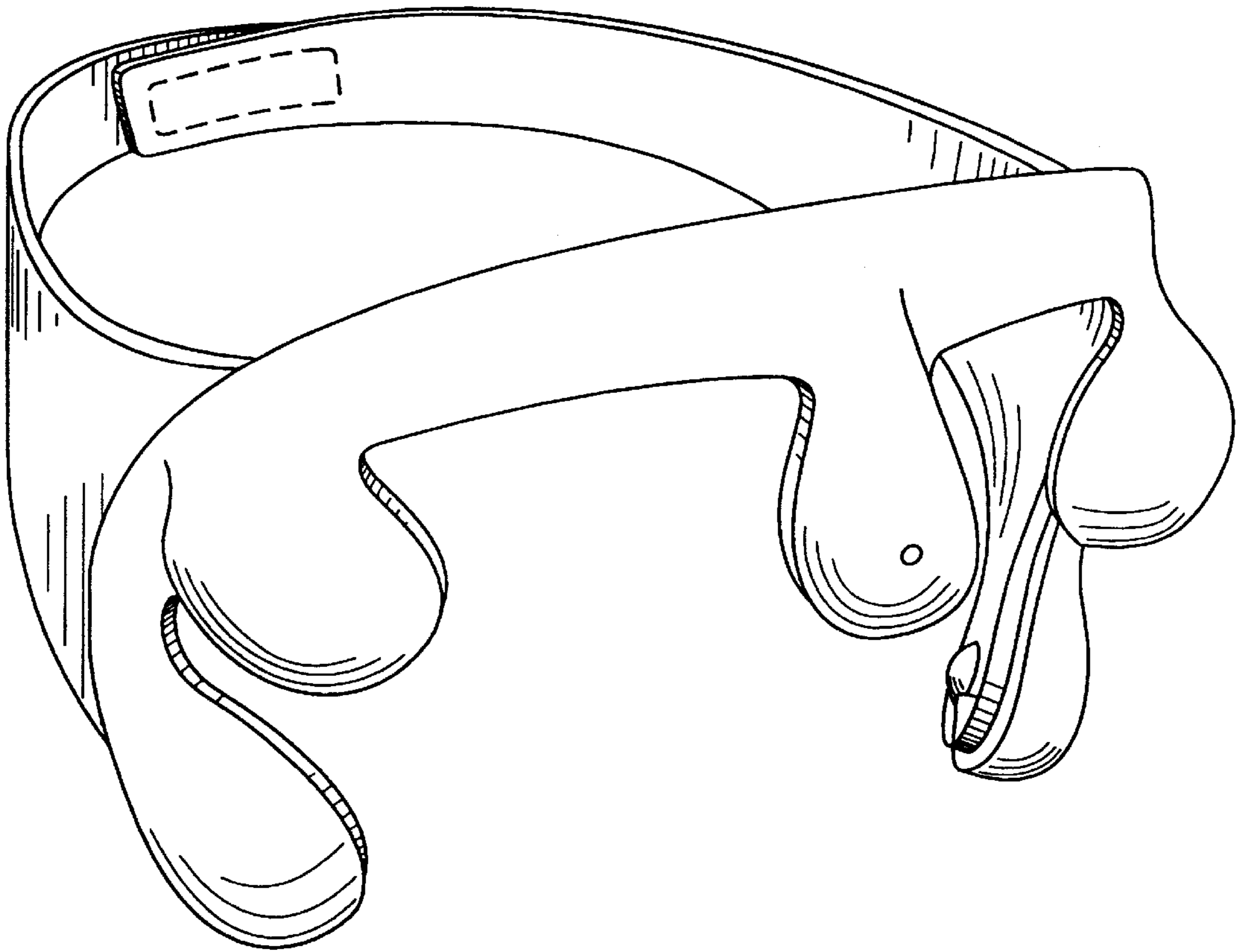


FIG. 2

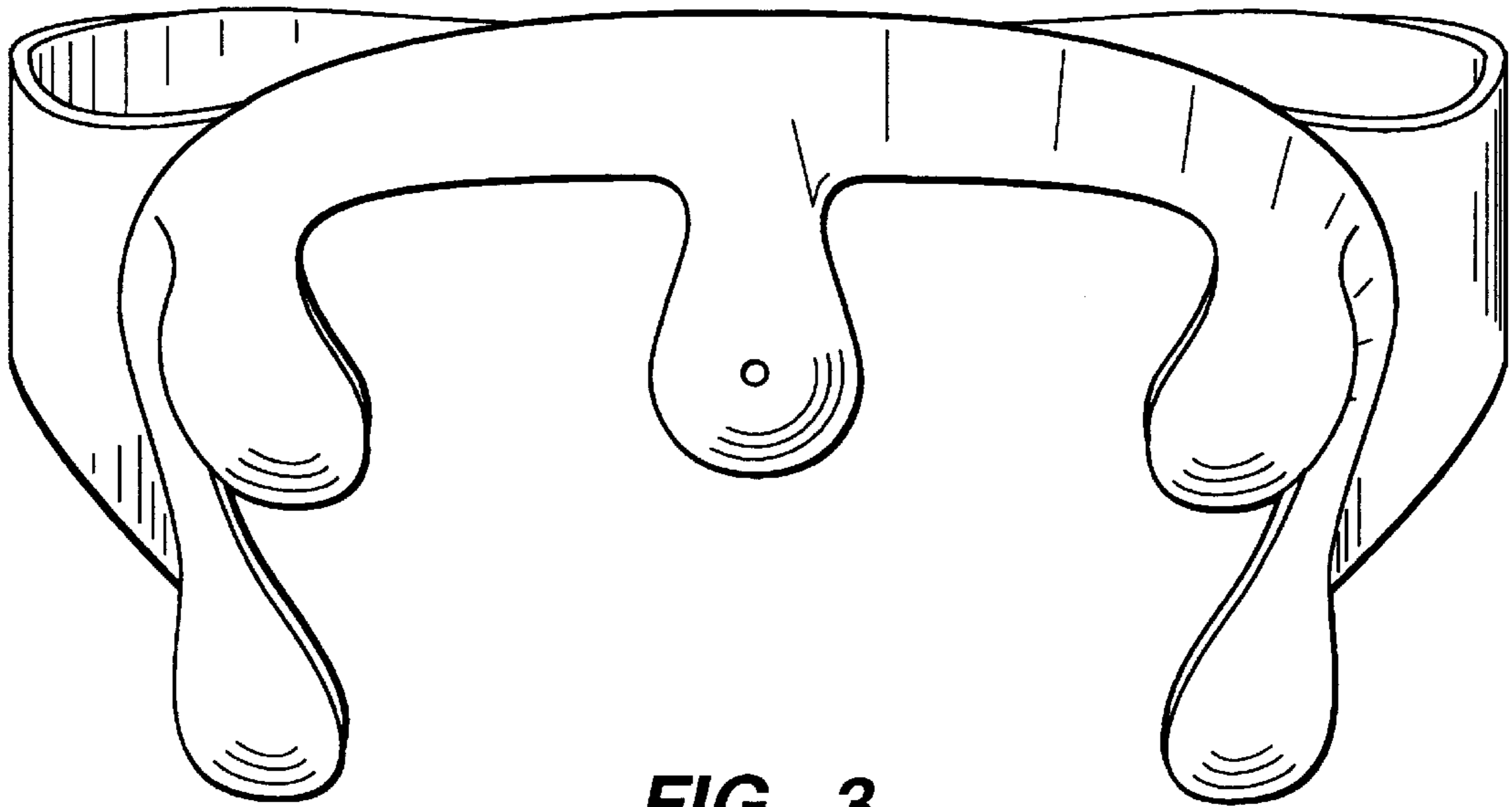


FIG._3

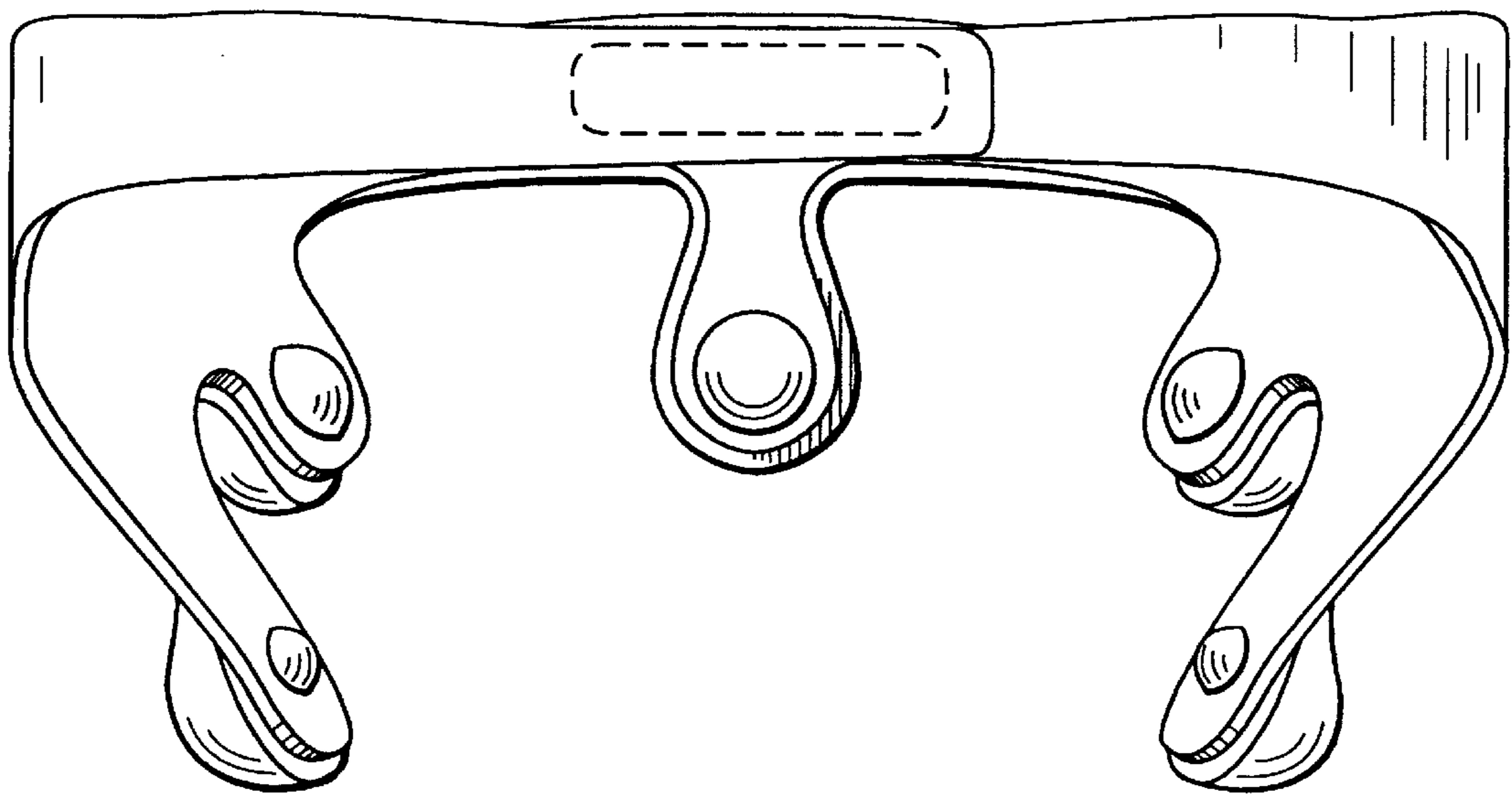


FIG._4

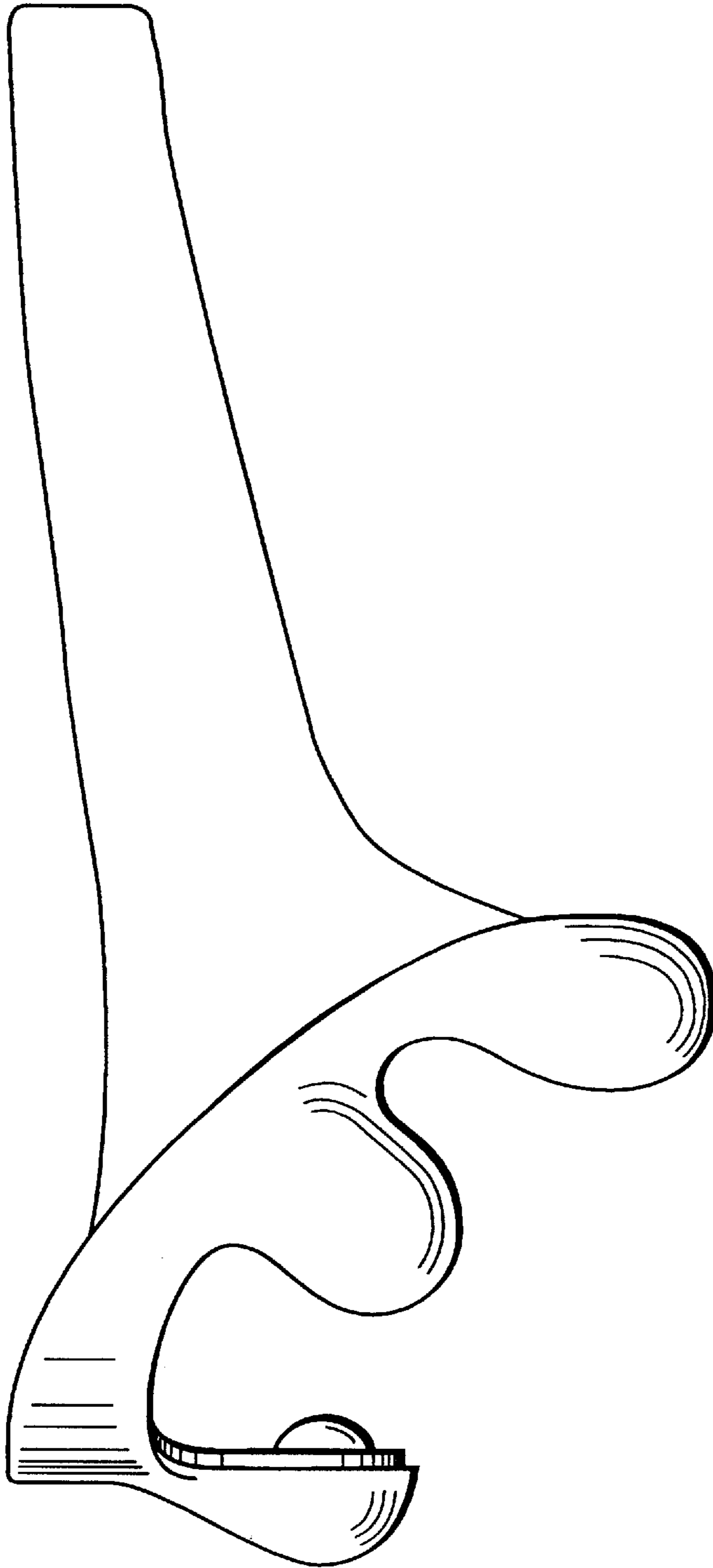


FIG. 5

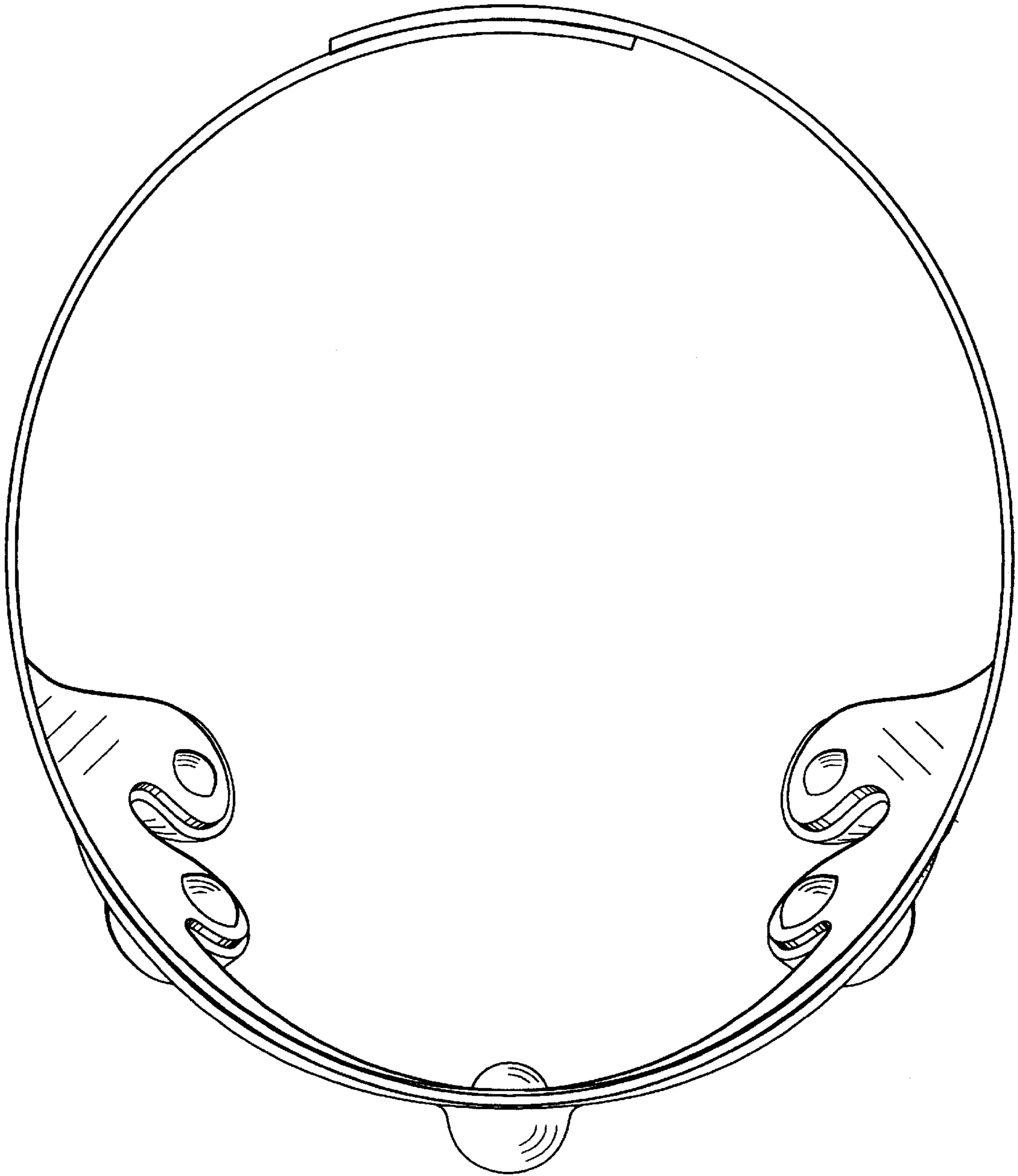


FIG._6

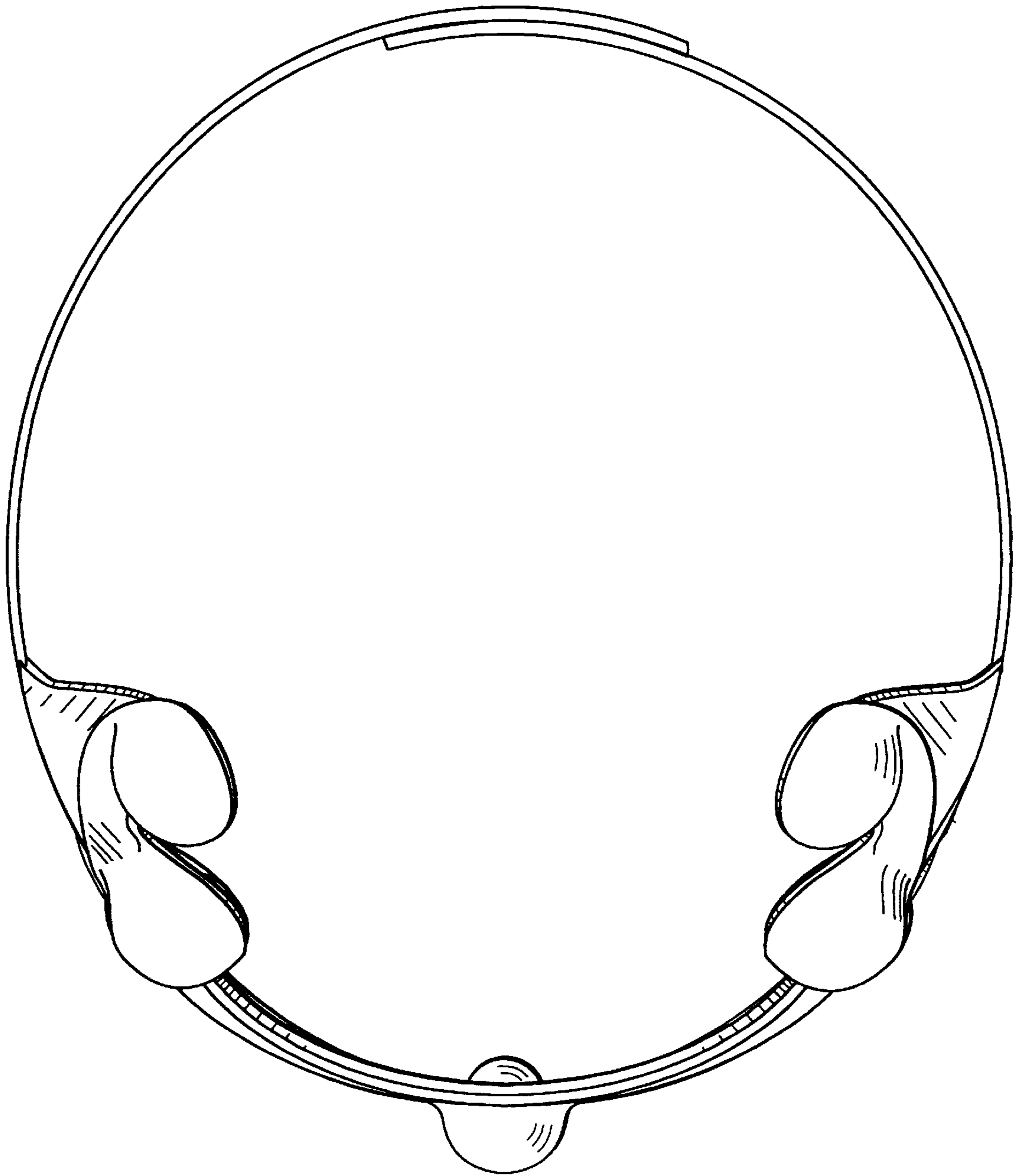


FIG._7

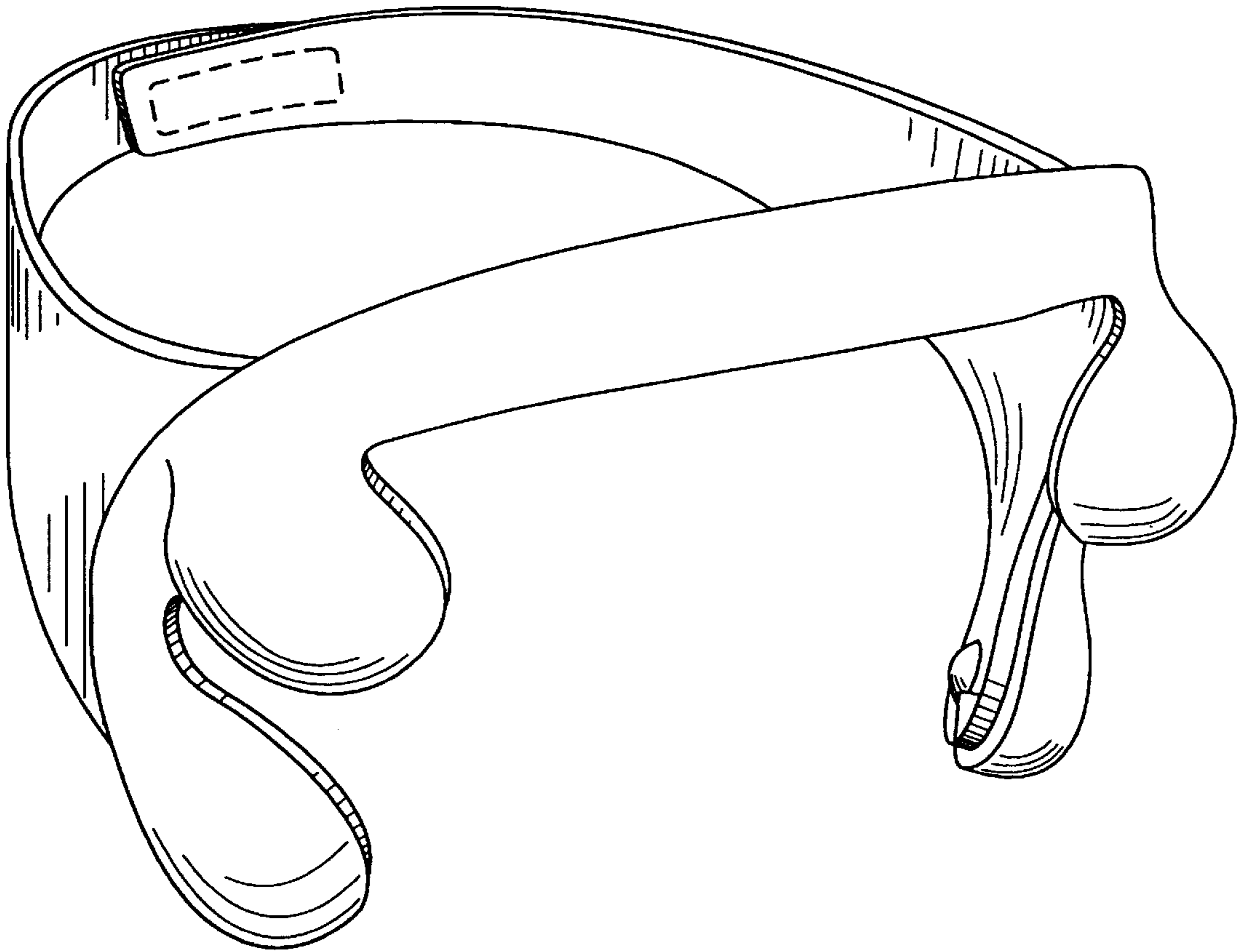


FIG. 8

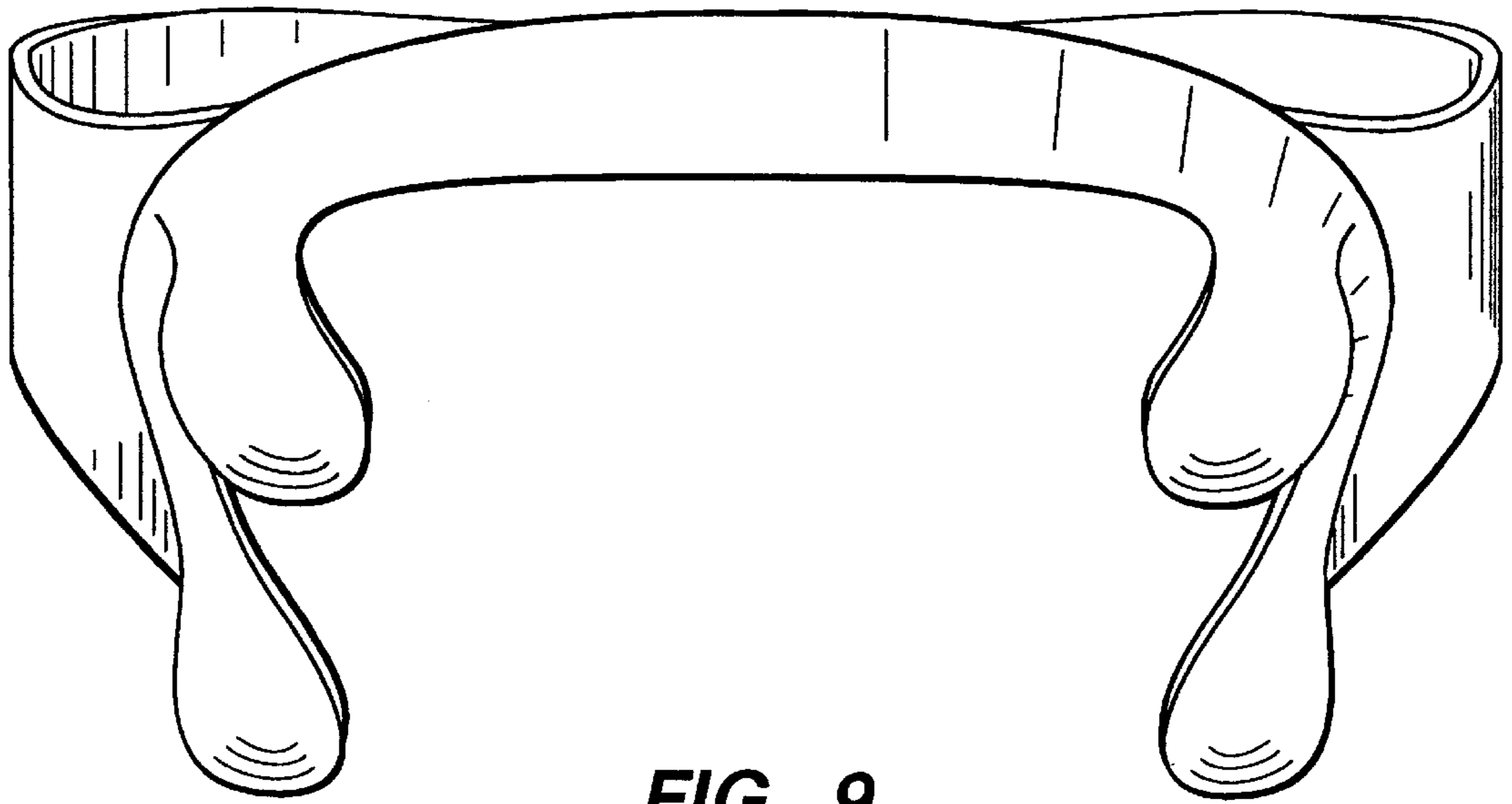


FIG._9

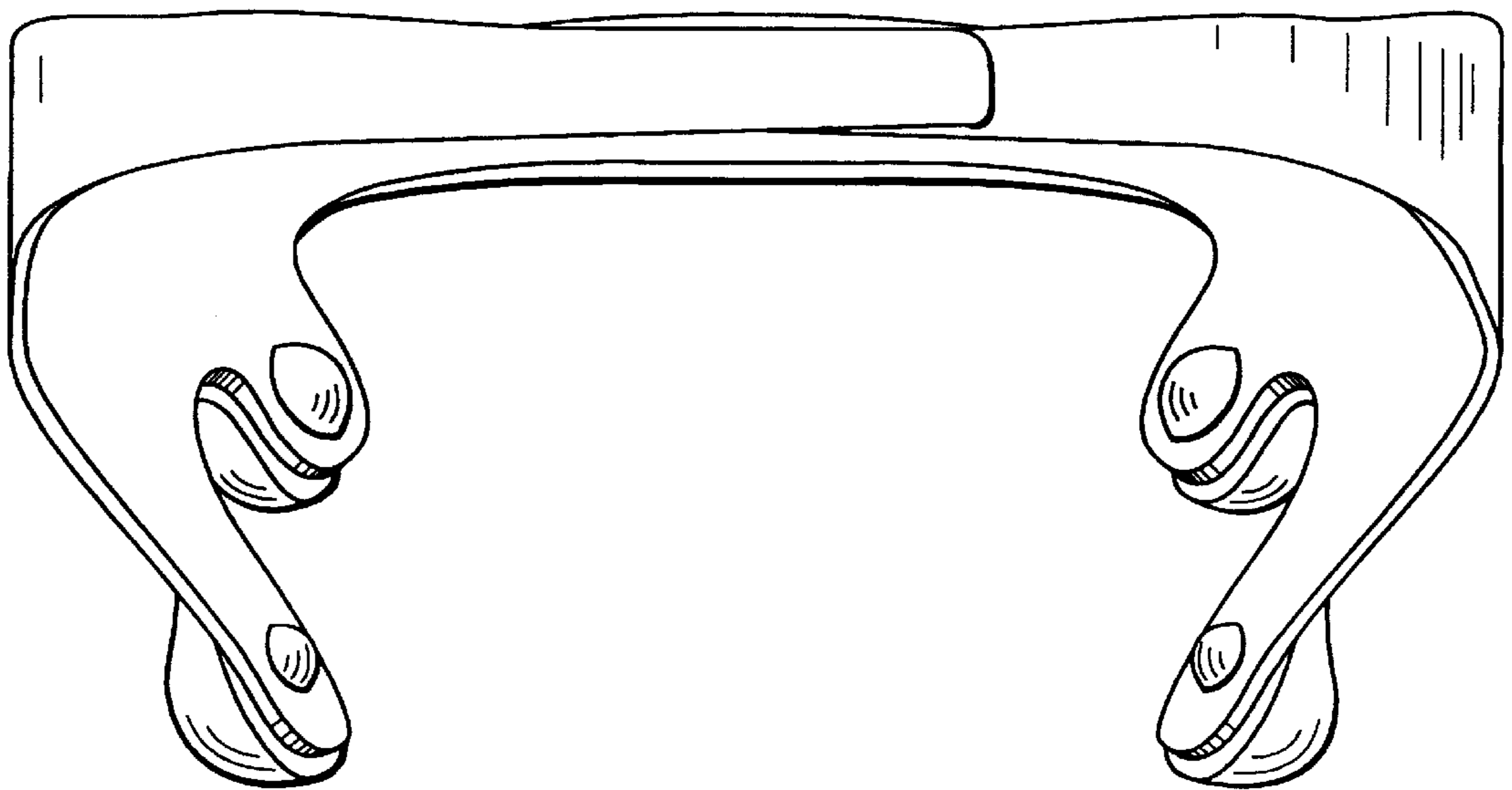


FIG._10



FIG. 11

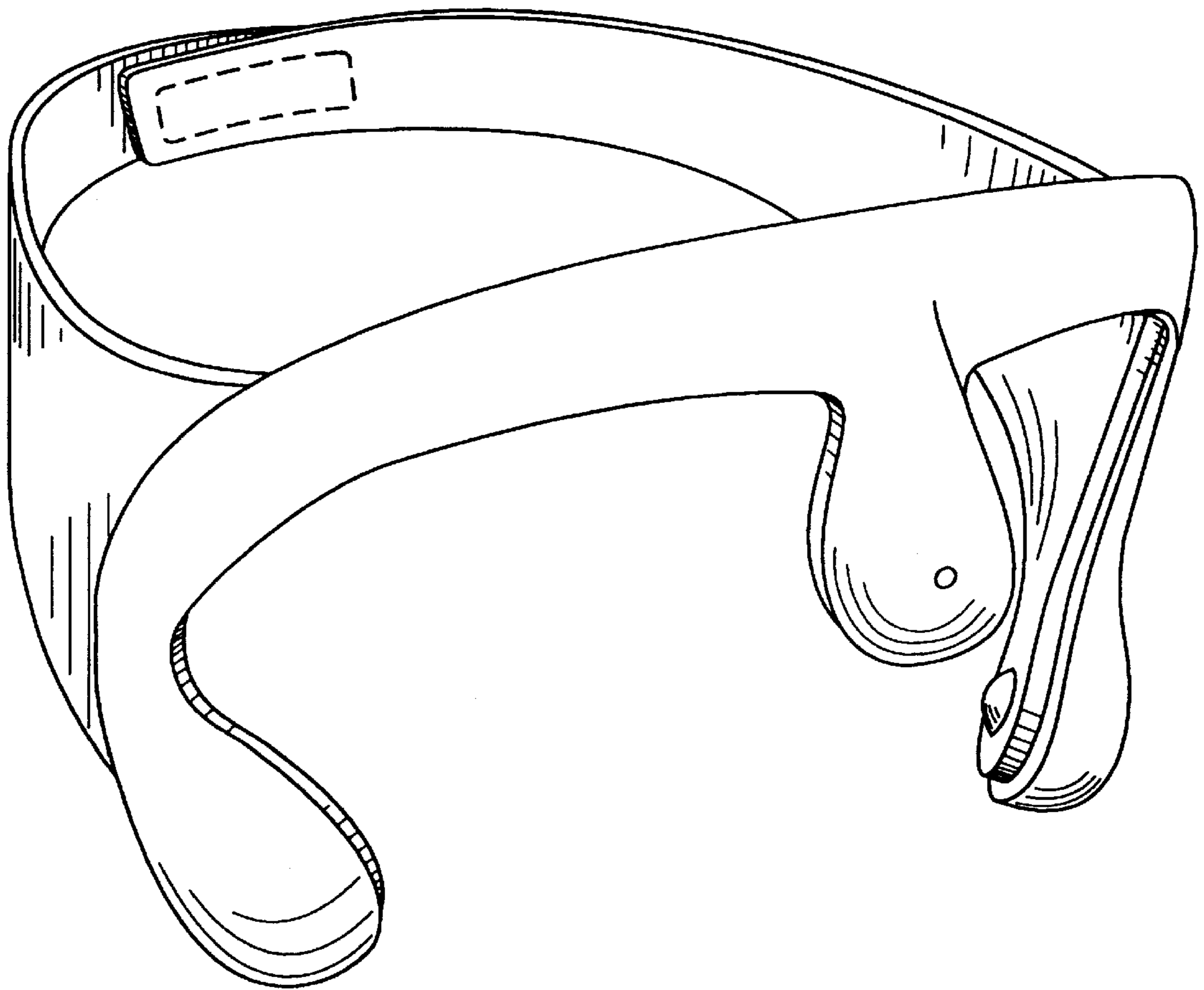


FIG. 12

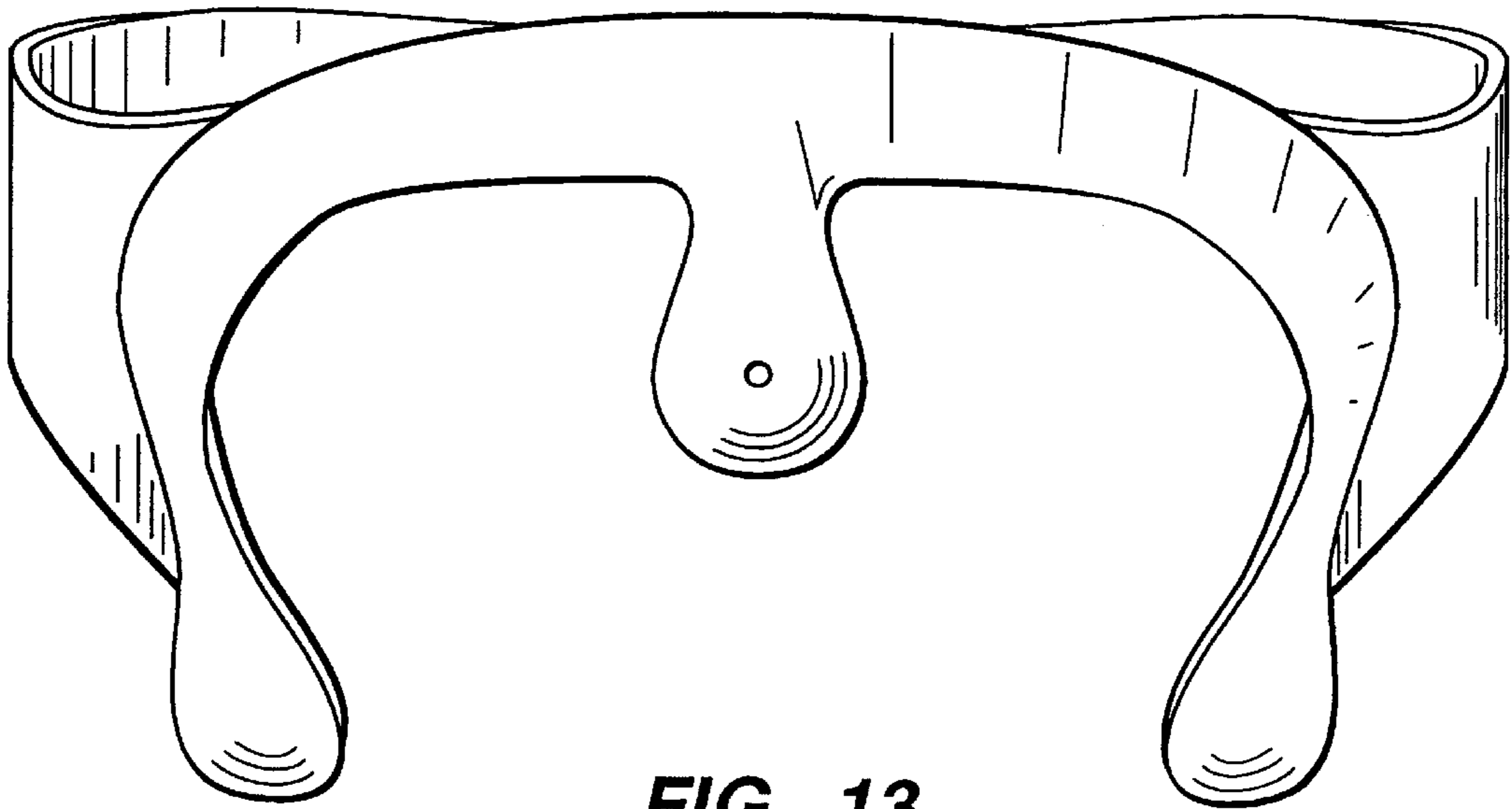


FIG._13

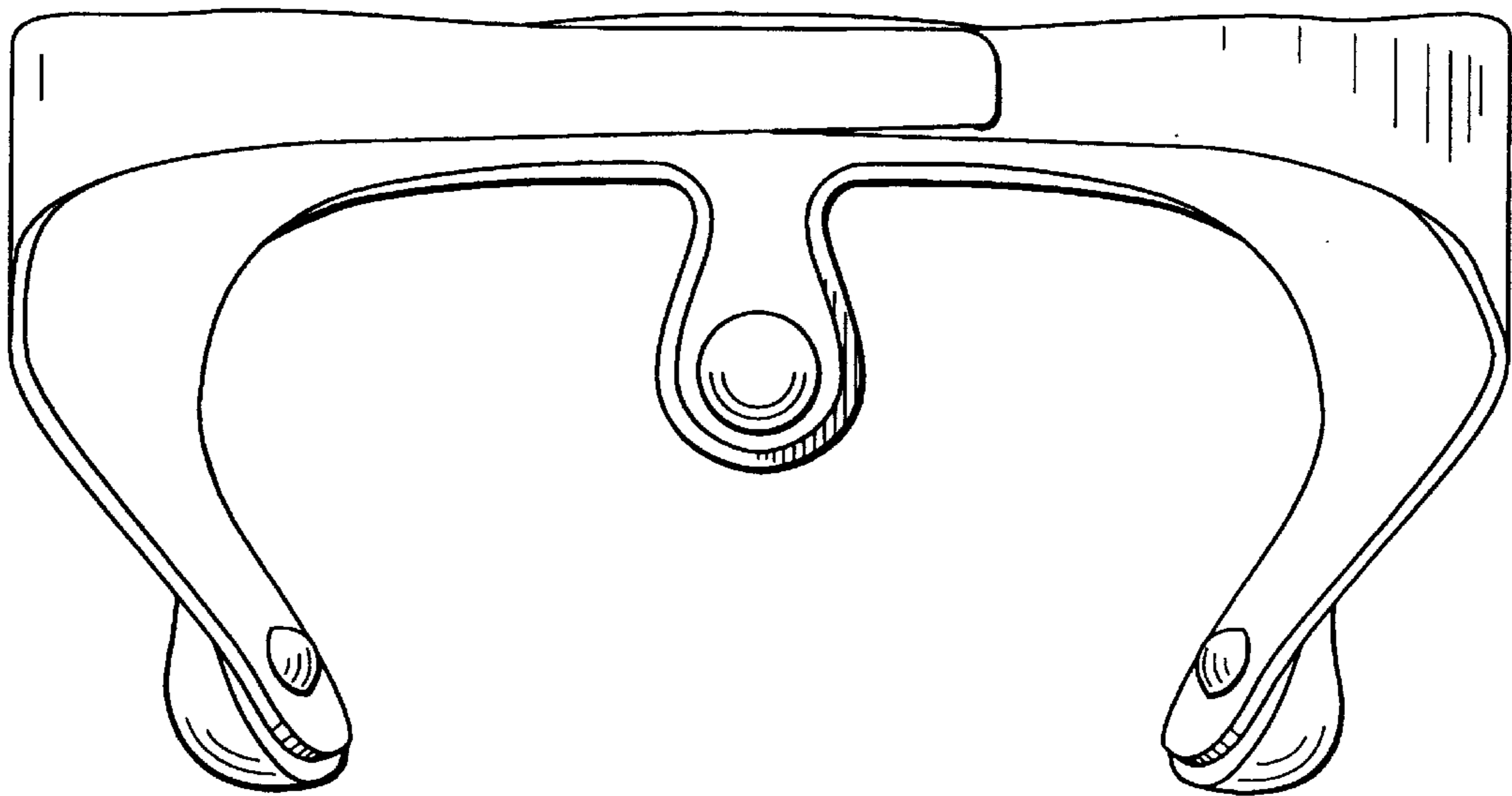


FIG._14

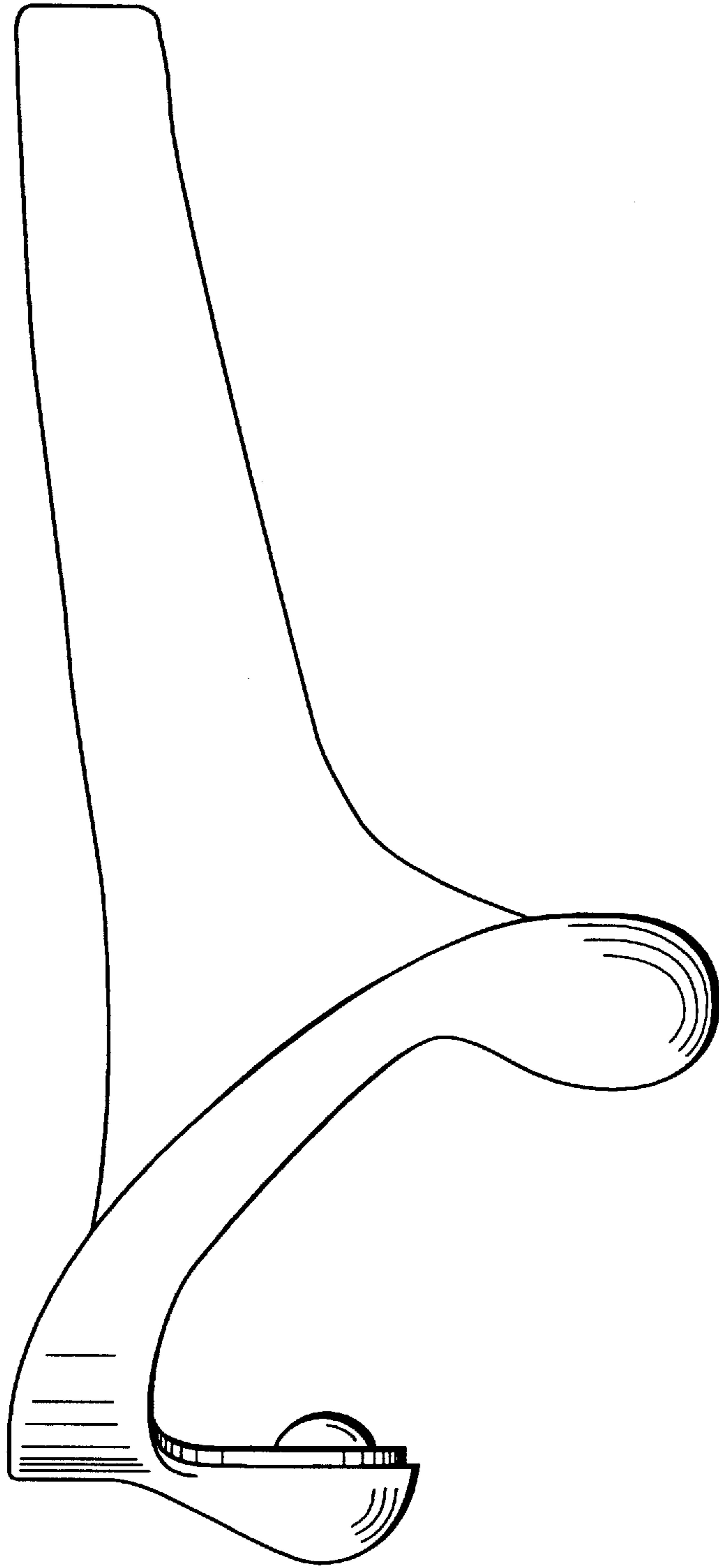


FIG. 15