

US00D405530S

United States Patent [19]
Manganiello et al.

[11] **Patent Number:** **Des. 405,530**
[45] **Date of Patent:** ****Feb. 9, 1999**

[54] **ROUNDED TIP NIPPLE**
[75] Inventors: **Frank X. Manganiello**, Pompton Plains; **Emanuel P. Morano**, Totowa, both of N.J.
[73] Assignee: **Playtex Products, Inc.**, Westport, Conn.
[**] Term: **14 Years**
[21] Appl. No.: **78,828**
[22] Filed: **Nov. 4, 1997**
[51] **LOC (6) Cl.** **24-04**
[52] **U.S. Cl.** **D24/196**
[58] **Field of Search** D24/196, 194, D24/197; 215/11.1, 11.2, 11.3, 11.4, 11.5, 11.6; 606/234, 235, 236

2,588,069 3/1952 Allen .
2,774,500 12/1956 Budiani .
2,956,702 10/1960 Ransom .
3,159,297 12/1964 Searer .
3,244,305 4/1966 Moore .
5,109,996 5/1992 Sullivan .
5,129,532 7/1992 Martin .
5,553,726 9/1996 Park .

Primary Examiner—Stella Reid
Attorney, Agent, or Firm—Ohlandt, Greeley, Ruggiero & Perle

[57] **CLAIM**

The ornamental design for a rounded tip nipple, as shown as described.

DESCRIPTION

FIG. 1 is an exploded, perspective view of a rounded tip nipple, showing our new design, the broken line showing being for illustrative purposes only and forming no part of the claimed design;
FIG. 2 is a top view thereof;
FIG. 3 is a bottom view thereof;
FIG. 4 is a side elevational view thereof, with all other sides being identical thereto; and,
FIG. 5 is a cross-sectional view thereof, taken along line 5—5 of FIG. 2.

[56] **References Cited**
U.S. PATENT DOCUMENTS
D. 26,377 12/1896 Meier .
D. 130,791 12/1941 Porthouse et al. D24/196
D. 143,774 2/1946 Wagner .
D. 271,053 10/1983 Chrones D24/196
D. 271,797 12/1983 Chrones D24/196
D. 294,735 3/1988 Morano et al. D24/196
D. 330,938 11/1992 Sakashita .
D. 359,808 6/1995 Raghava .

1 Claim, 2 Drawing Sheets

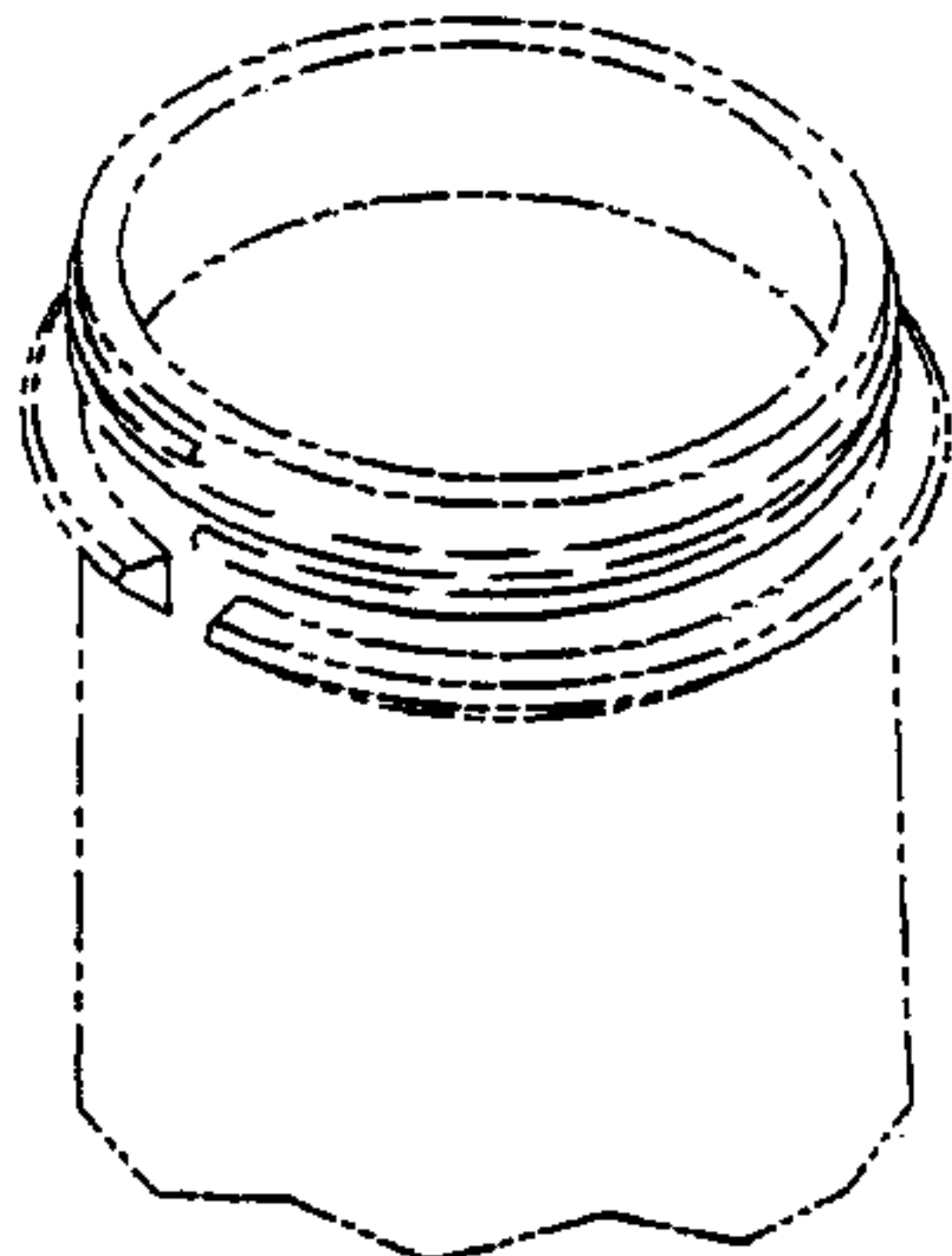
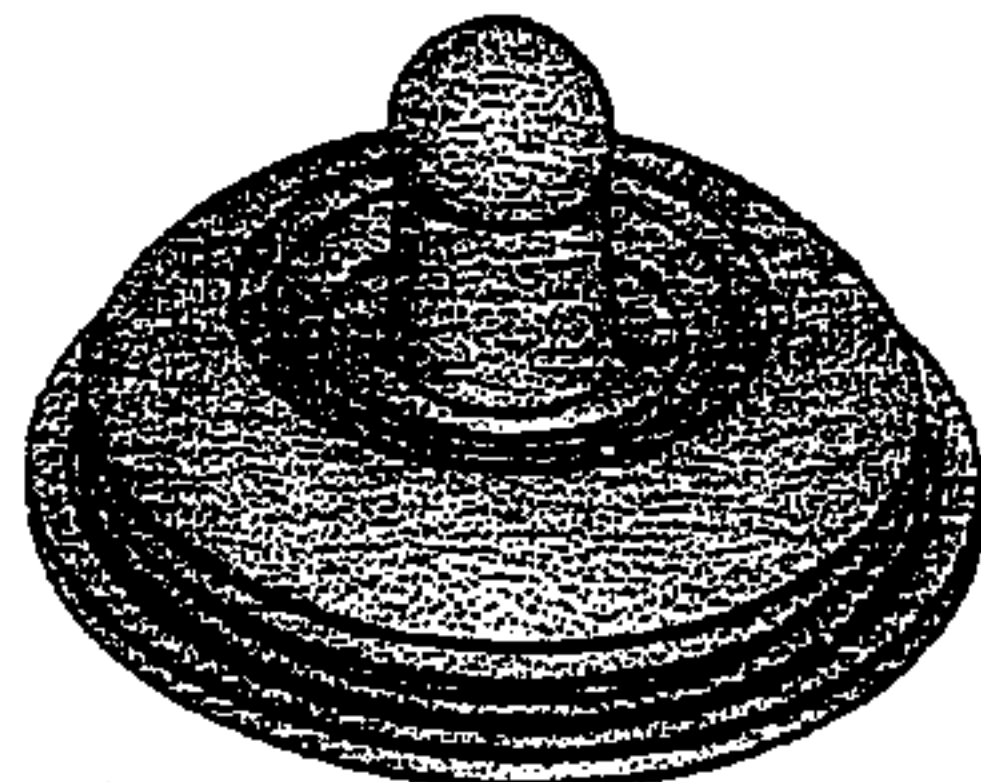
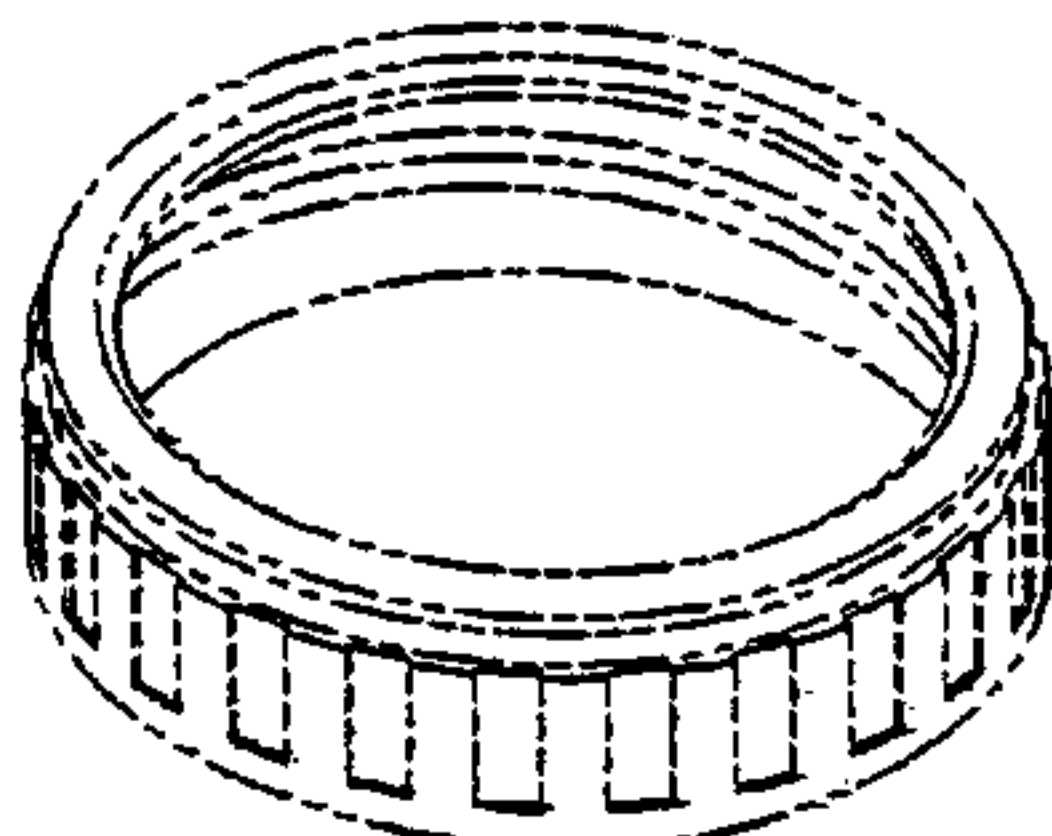
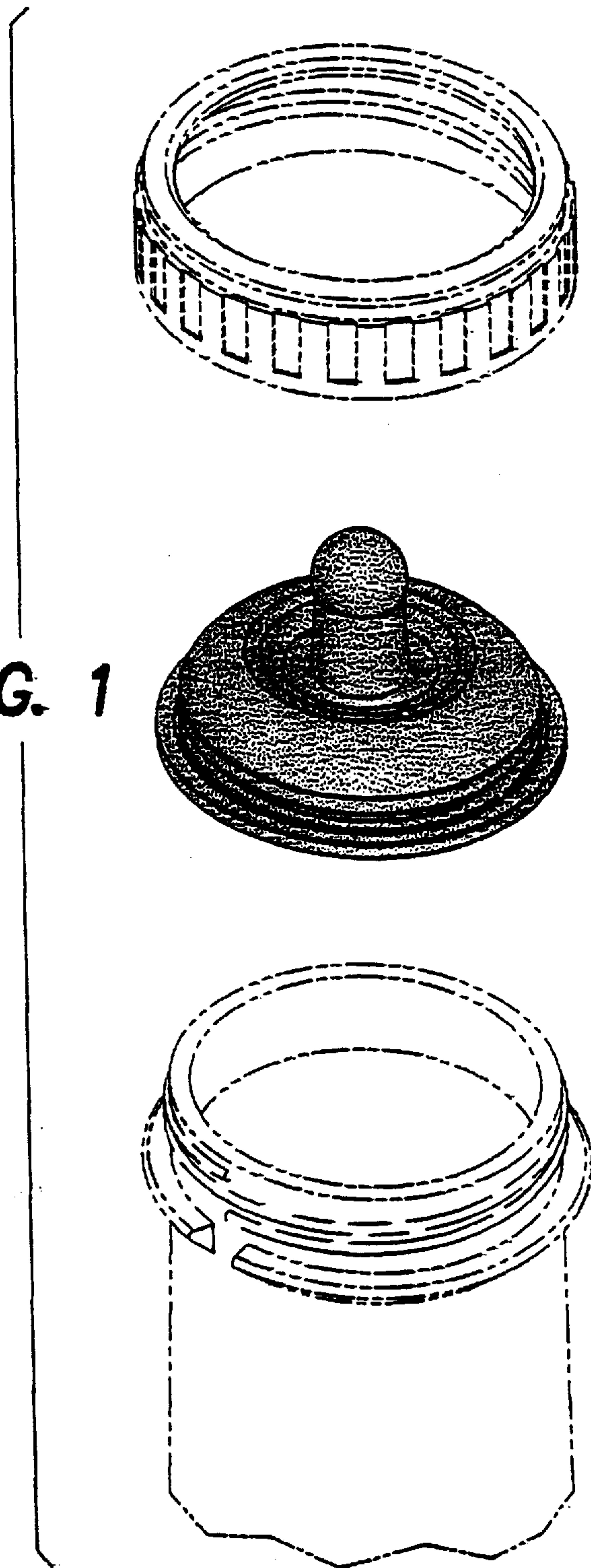


FIG. 1



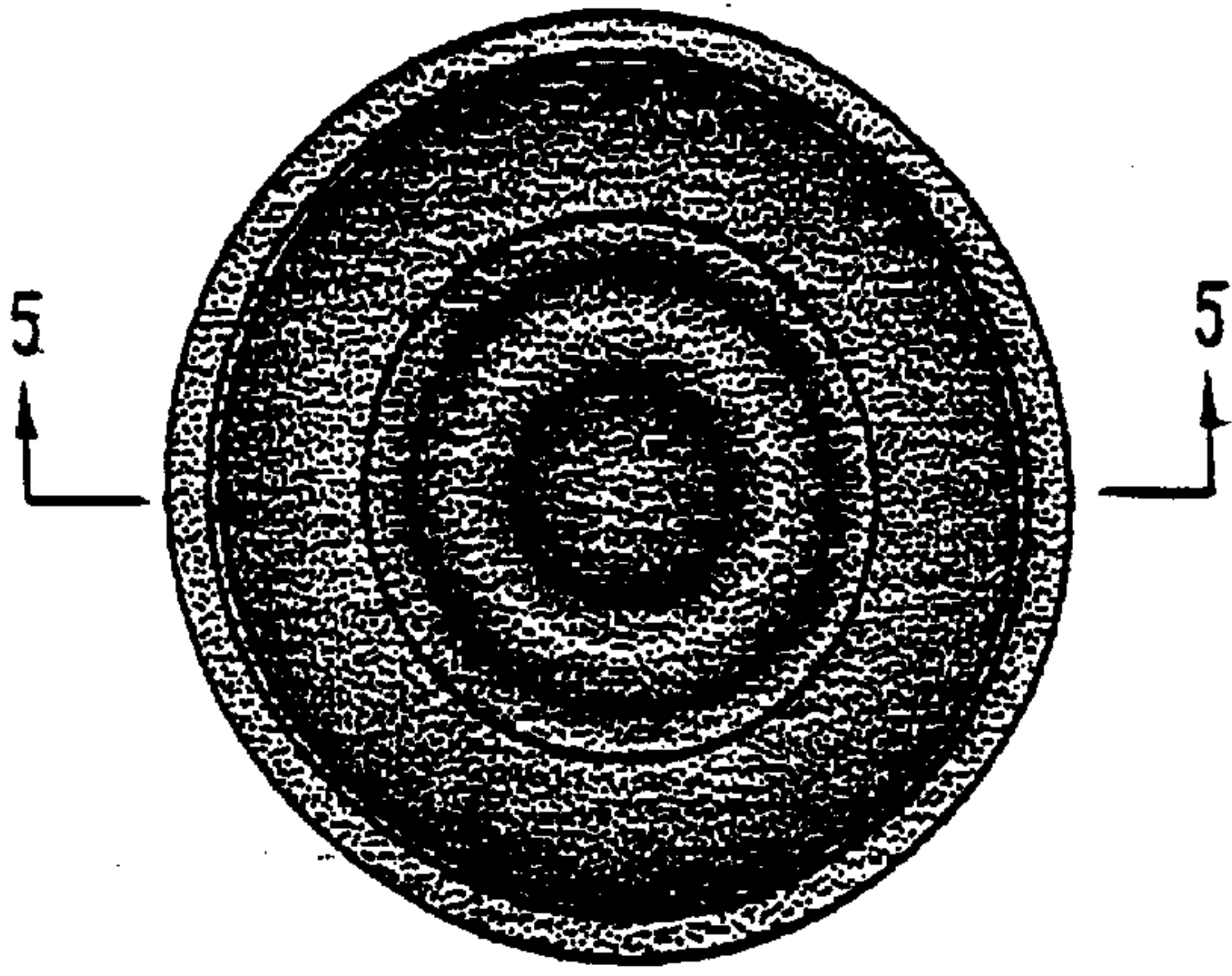


FIG. 2

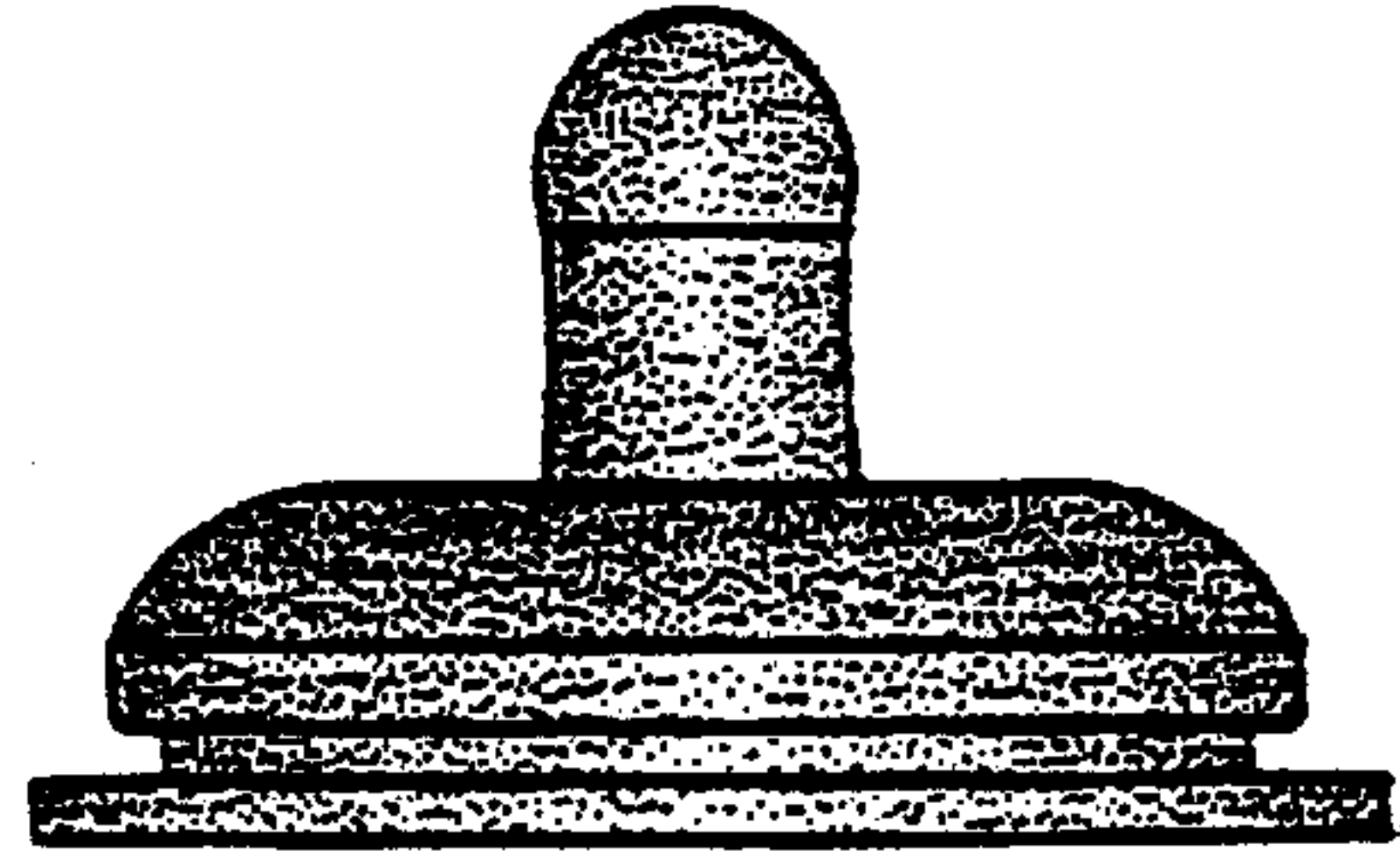


FIG. 4

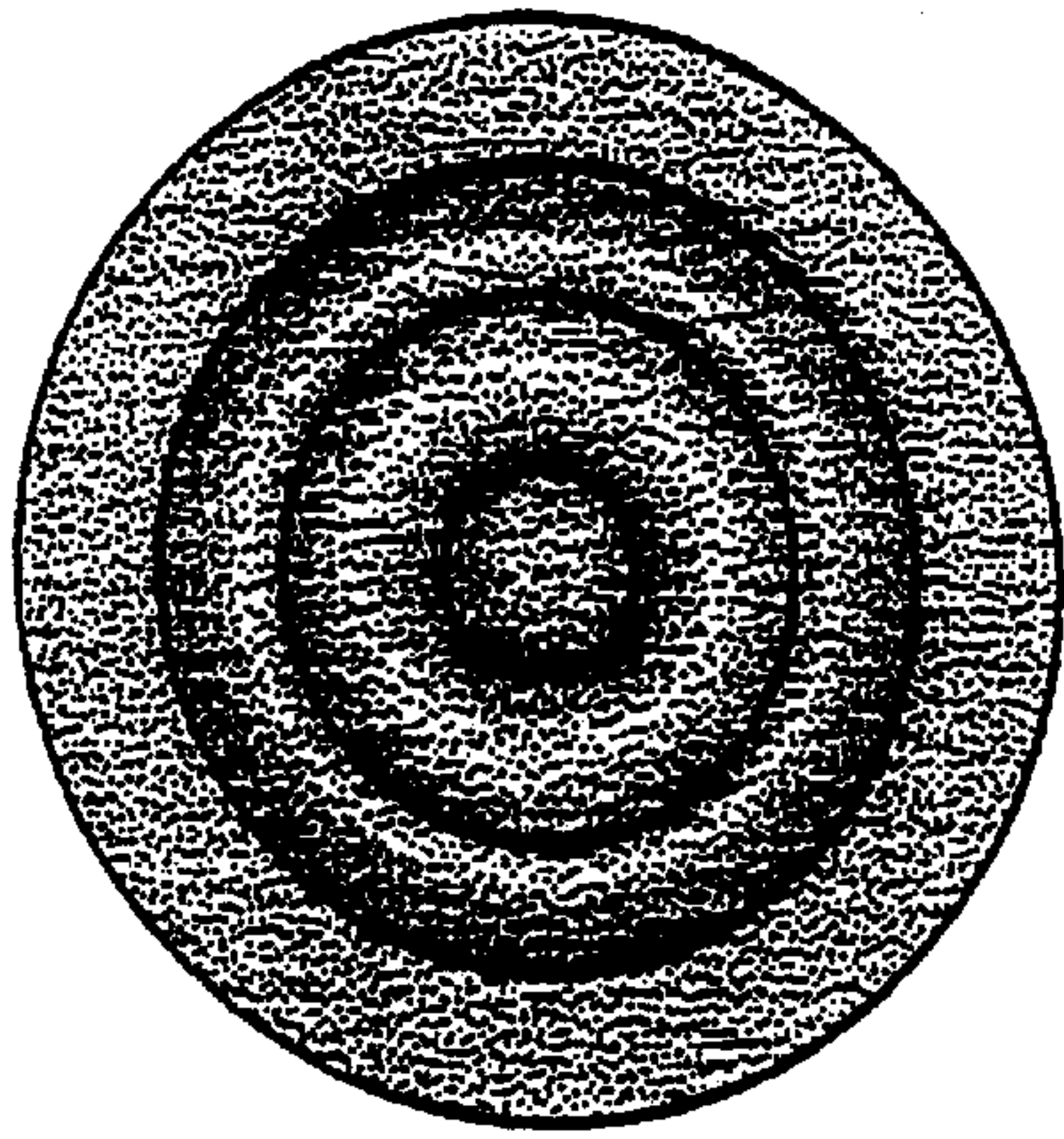


FIG. 3

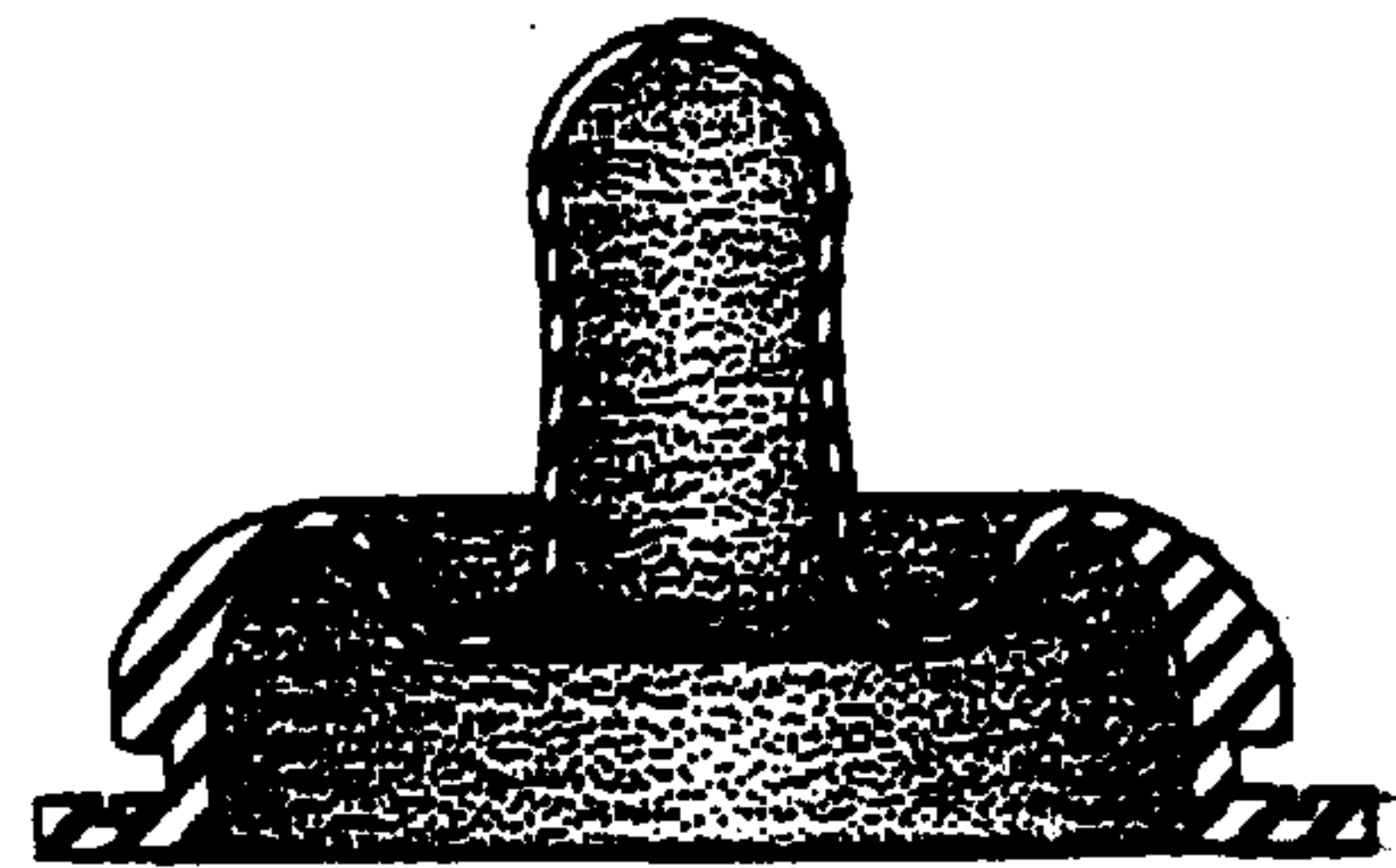


FIG. 5