



US00D405523S

United States Patent [19] Pietrobon

[11] Patent Number: **Des. 405,523**

[45] Date of Patent: ****Feb. 9, 1999**

[54] **STEAM GENERATOR FOR FACIAL TREATMENT**

[75] Inventor: **Silvano Pietrobon**, Fonte, Italy

[73] Assignee: **W.S. S.p.A.**, Fonte, Italy

[**] Term: **14 Years**

[21] Appl. No.: **69,871**

[22] Filed: **May 5, 1997**

[51] **LOC (6) Cl.** **24-04**

[52] **U.S. Cl.** **D24/110**

[58] **Field of Search** D32/1, 21, 15,
D32/17, 23; 55/255; D24/110, 203; D23/315;
D28/9, 12; 126/20, 277; 122/31.1; 159/36,
37, 34; 128/200.14, 200.16, 200.21; 392/337

[56] **References Cited**

U.S. PATENT DOCUMENTS

| | | | |
|------------|---------|----------------------|---------|
| D. 208,514 | 9/1967 | Hartwell . | |
| D. 212,284 | 9/1968 | Mitchell . | |
| D. 212,285 | 9/1968 | Mitchell . | |
| D. 254,788 | 4/1980 | Nauta | D32/21 |
| D. 261,515 | 10/1981 | Schaefer et al. | D32/23 |
| D. 262,052 | 11/1981 | Akita | D23/2 |
| D. 263,842 | 4/1982 | Pearman, Jr. | D32/23 |
| D. 279,312 | 6/1985 | Pohlmann | D24/110 |

| | | | |
|------------|---------|----------------------|---------|
| D. 284,692 | 7/1986 | Pohlmann | D23/148 |
| D. 303,723 | 9/1989 | Takahashi | D28/9 |
| D. 306,906 | 3/1990 | Herbst et al. | D24/62 |
| D. 324,280 | 2/1992 | Goodrich | D32/21 |
| D. 326,909 | 6/1992 | Frank et al. | D24/110 |
| D. 336,694 | 6/1993 | Luigi | D32/21 |
| D. 338,989 | 8/1993 | Ambrosiano | D32/21 |
| D. 341,008 | 11/1993 | Berfield et al. | D32/21 |
| D. 343,706 | 1/1994 | Gurstein | D32/21 |
| D. 348,550 | 7/1994 | Cox et al. | D32/23 |
| D. 388,564 | 7/1996 | Lussi | D32/21 |
| 3,152,240 | 10/1964 | Scott . | |

Primary Examiner—Ruth McInroy
Attorney, Agent, or Firm—Harrison & Egbert

[57] **CLAIM**

I claim the ornamental design for a steam generator for facial treatment, as shown and described.

DESCRIPTION

FIG. 1 is an top and front perspective view of a steam generator for facial treatment showing my design;
FIG. 2 is a top plan view thereof;
FIG. 3 is a side view thereof, the opposite side being a mirror image thereof;
FIG. 4 is a front view thereof; and,
FIG. 5 is a back view thereof.

1 Claim, 5 Drawing Sheets

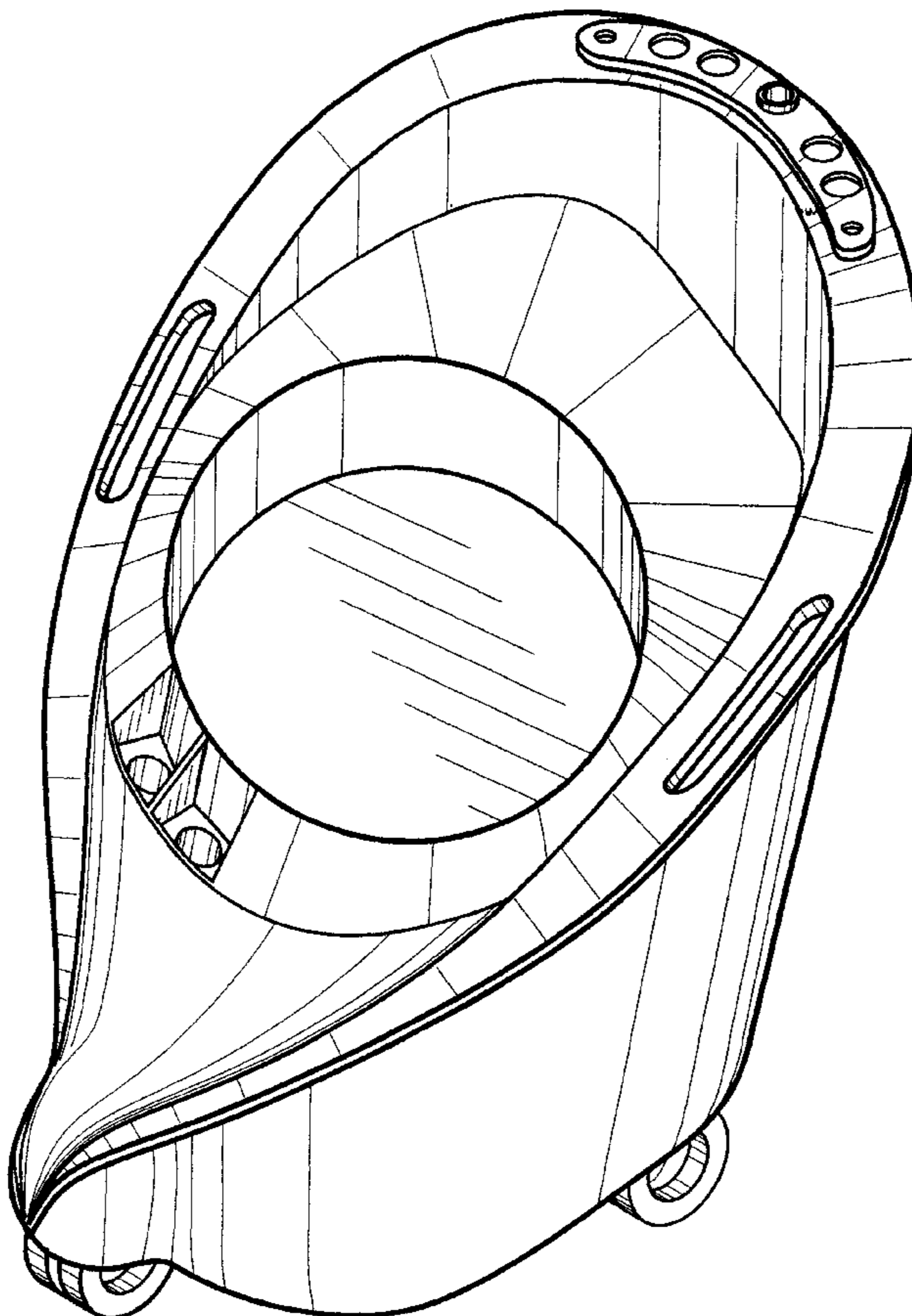


FIG. 1

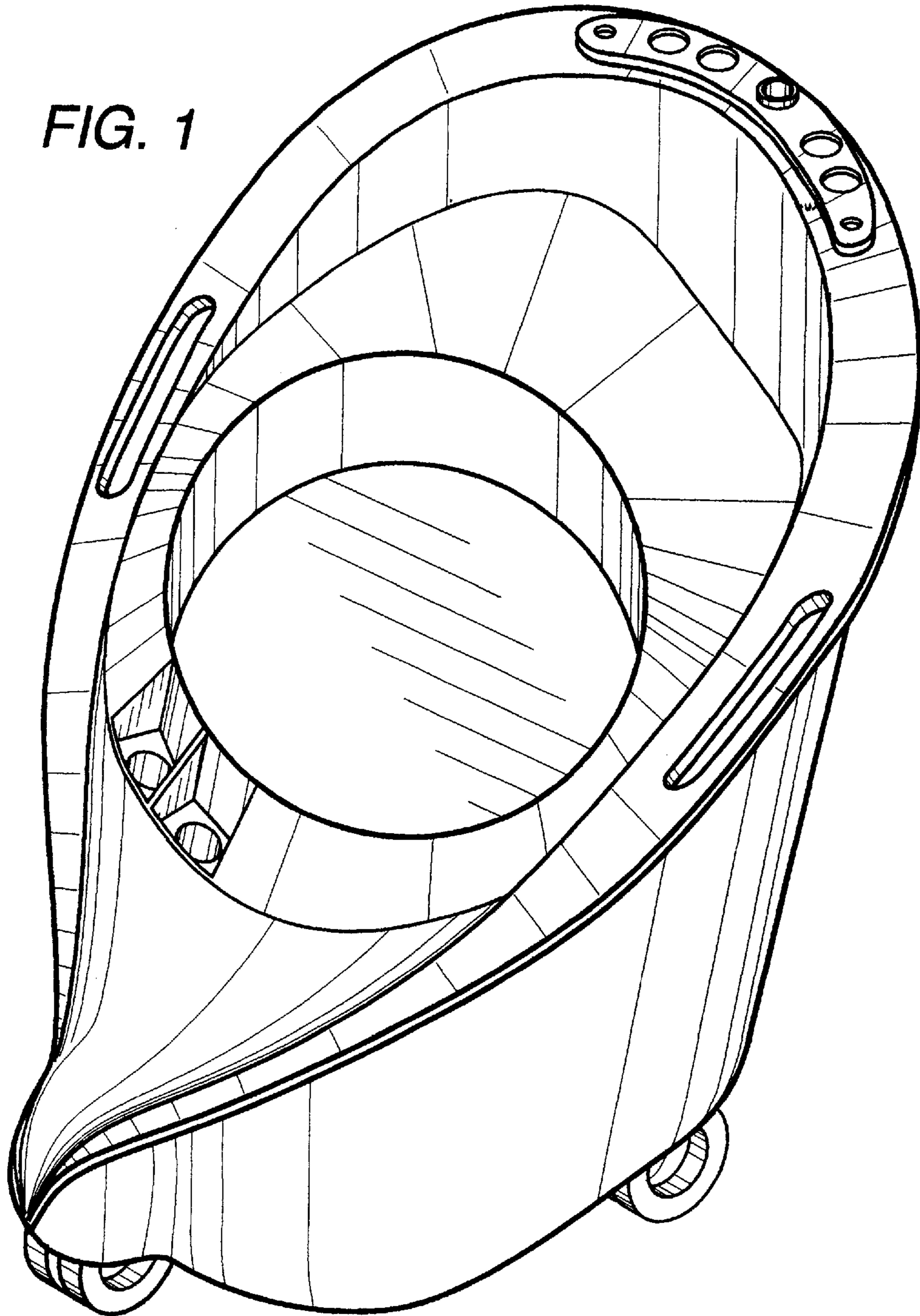


FIG. 2

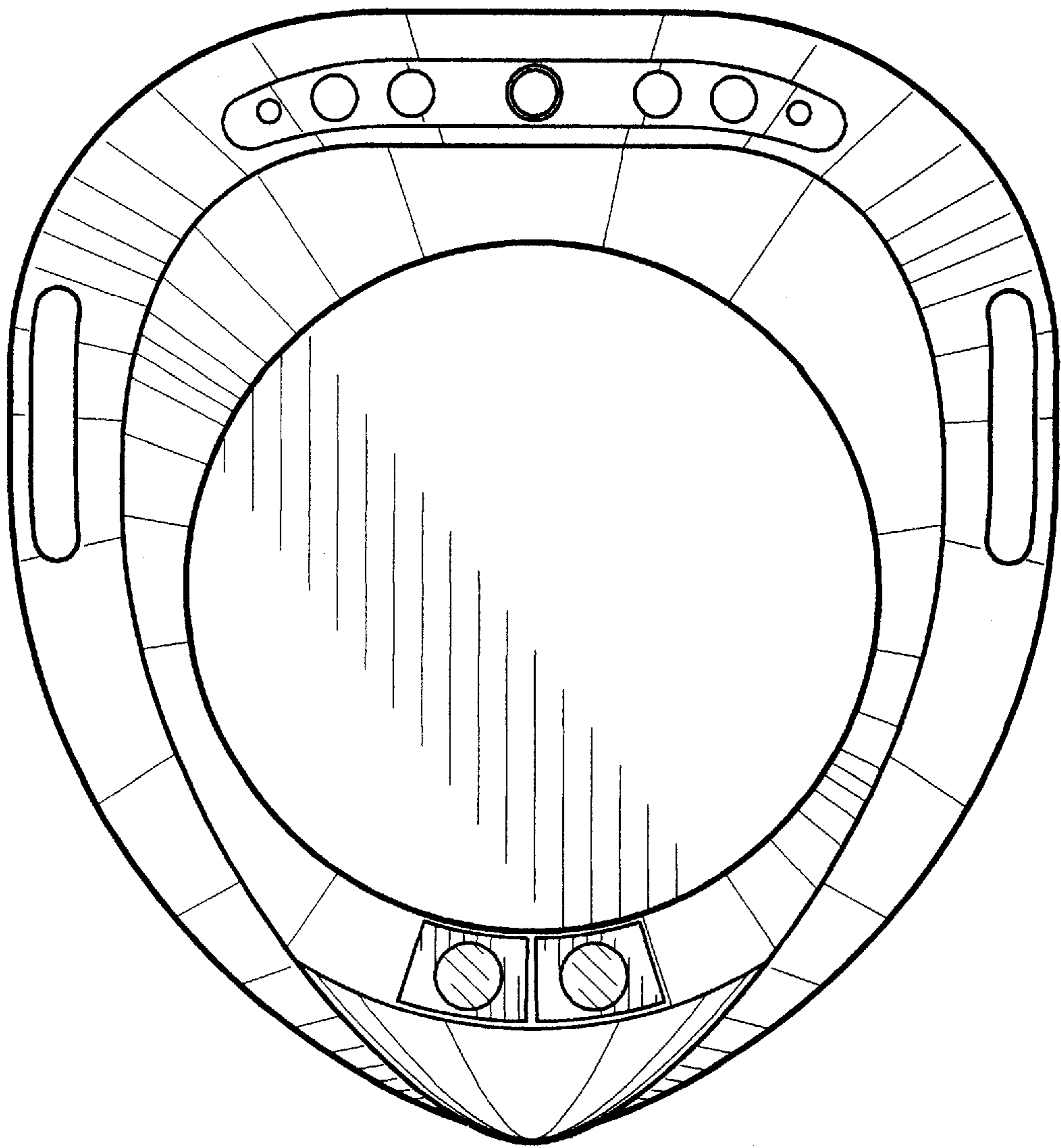


FIG. 3

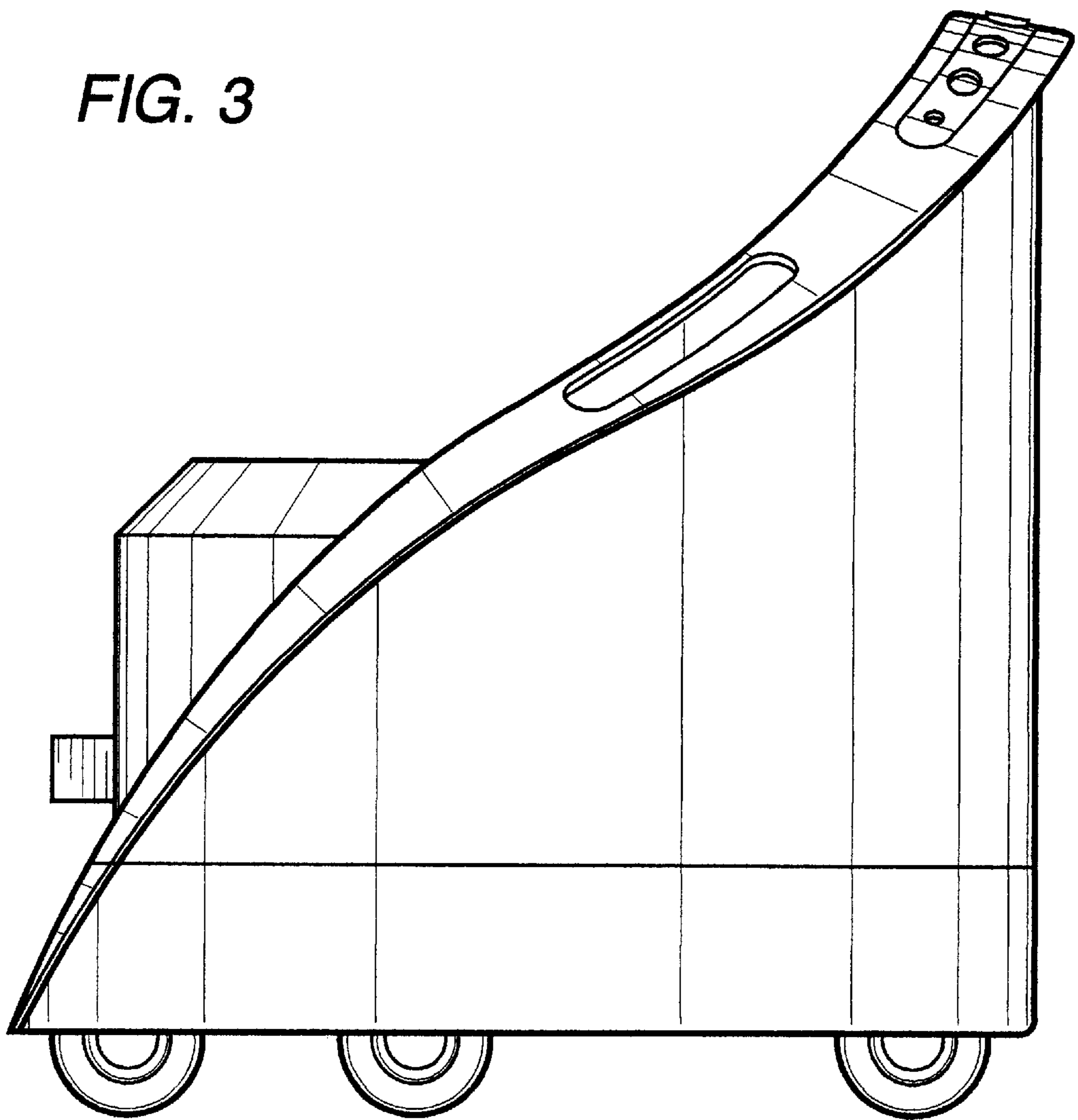


FIG. 4

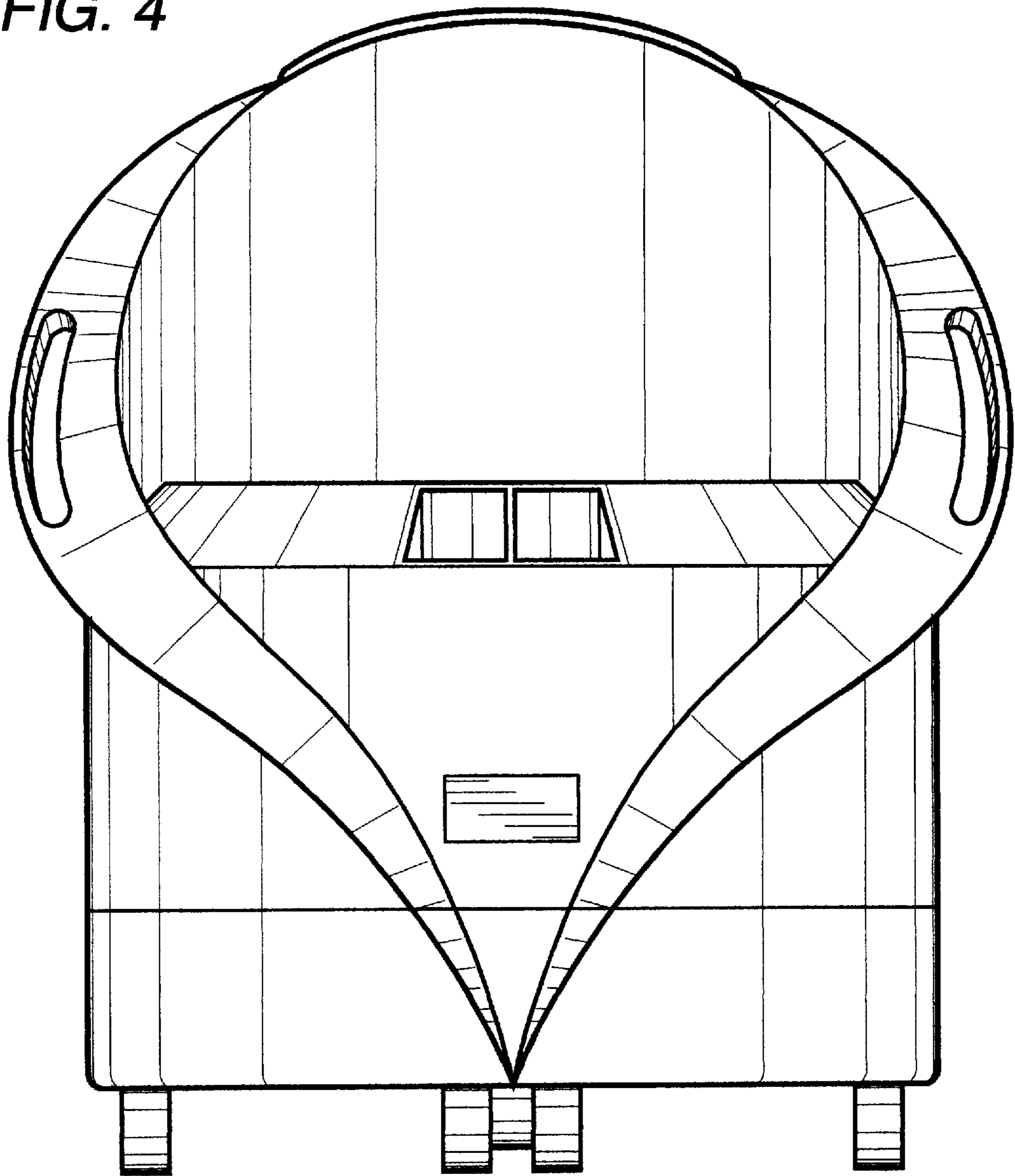


FIG. 5

