

US00D405511S

United States Patent [19] Lord

[11] **Patent Number:** **Des. 405,511**
[45] **Date of Patent:** ****Feb. 9, 1999**

[54] **SHOWER ESCUTCHEON WITH HANDLE**

[75] Inventor: **Judd A. Lord**, Carmel, Ind.

[73] Assignee: **Masco Corporation of Indiana**, Indianapolis, Ind.

[**] Term: **14 Years**

[21] Appl. No.: **79,229**

[22] Filed: **Nov. 10, 1997**

[51] **LOC (6) Cl.** **23-01**

[52] **U.S. Cl.** **D23/254**

[58] **Field of Search** D23/238-243,
D23/250-257; 4/675-678; 137/801; D8/312,
352, 399

[56] **References Cited**

U.S. PATENT DOCUMENTS

D. 68,807	11/1925	Hill	D8/312
D. 164,606	9/1951	Schlage	D8/352
D. 263,989	4/1982	Fleischmann et al.	D23/252
D. 310,324	9/1990	Bernacchi et al.	D8/399
D. 321,468	11/1991	Reid	D8/352
D. 322,926	1/1992	Kolada et al.	D8/352
D. 330,754	11/1992	Gottwald	.	
D. 331,099	11/1992	Gottwald	.	
D. 331,797	12/1992	Gottwald	.	
D. 332,826	1/1993	Rosenbaum	D23/254
D. 333,698	3/1993	Gottwald	.	
D. 344,128	2/1994	Gottwald	.	
D. 345,004	3/1994	Bengtson	.	

D. 345,782	4/1994	Short et al.	.	
D. 355,021	1/1995	Schott et al.	D23/254
D. 363,765	10/1995	Starck	.	
D. 373,180	8/1996	Gottwald	.	

Primary Examiner—Louis S. Zarfes
Assistant Examiner—Eric Watterson
Attorney, Agent, or Firm—Myron B. Kapustij; Leon E. Redman

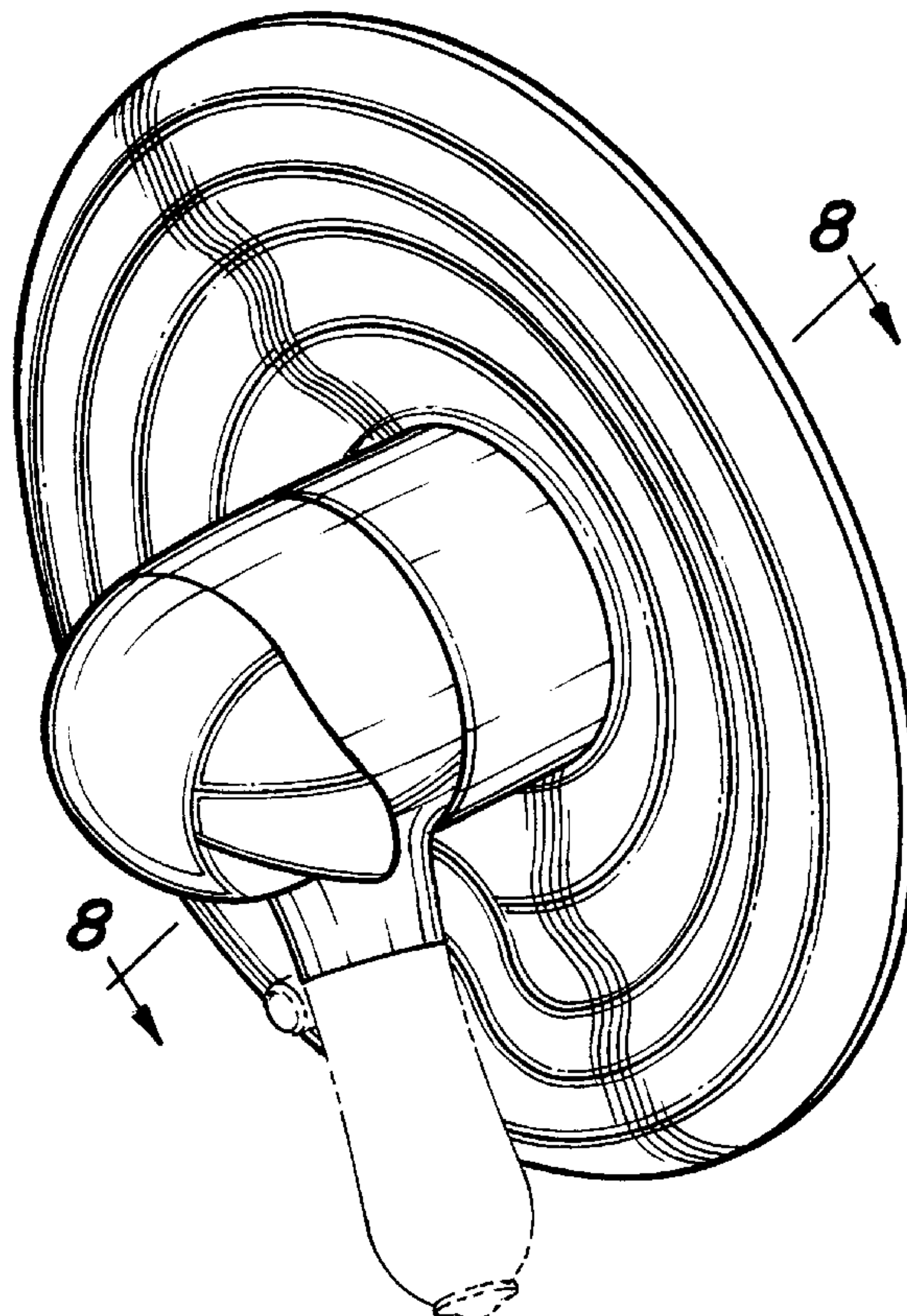
[57] **CLAIM**

The ornamental design for a shower escutcheon with handle, as shown and described.

DESCRIPTION

FIG. 1 is a front, left perspective view of a shower escutcheon with handle;
FIG. 2 is a front, right perspective view thereof;
FIG. 3 is a top plan view thereof;
FIG. 4 is a front elevational view thereof;
FIG. 5 is a left side elevational view thereof;
FIG. 6 is a right side elevational view thereof;
FIG. 7 is a bottom plan view thereof;
FIG. 8 is a cross-sectional view taken along line 8—8 in FIG. 1; and,
FIG. 9 is a cross-sectional view taken along line 9—9 in FIG. 2.
The broken line showings of the handle tip and diverter actuator in FIGS. 1-2 and 4-7, and of the handle tip in FIG. 3 are for purposes of illustration only and form no part of the claimed design.

1 Claim, 4 Drawing Sheets



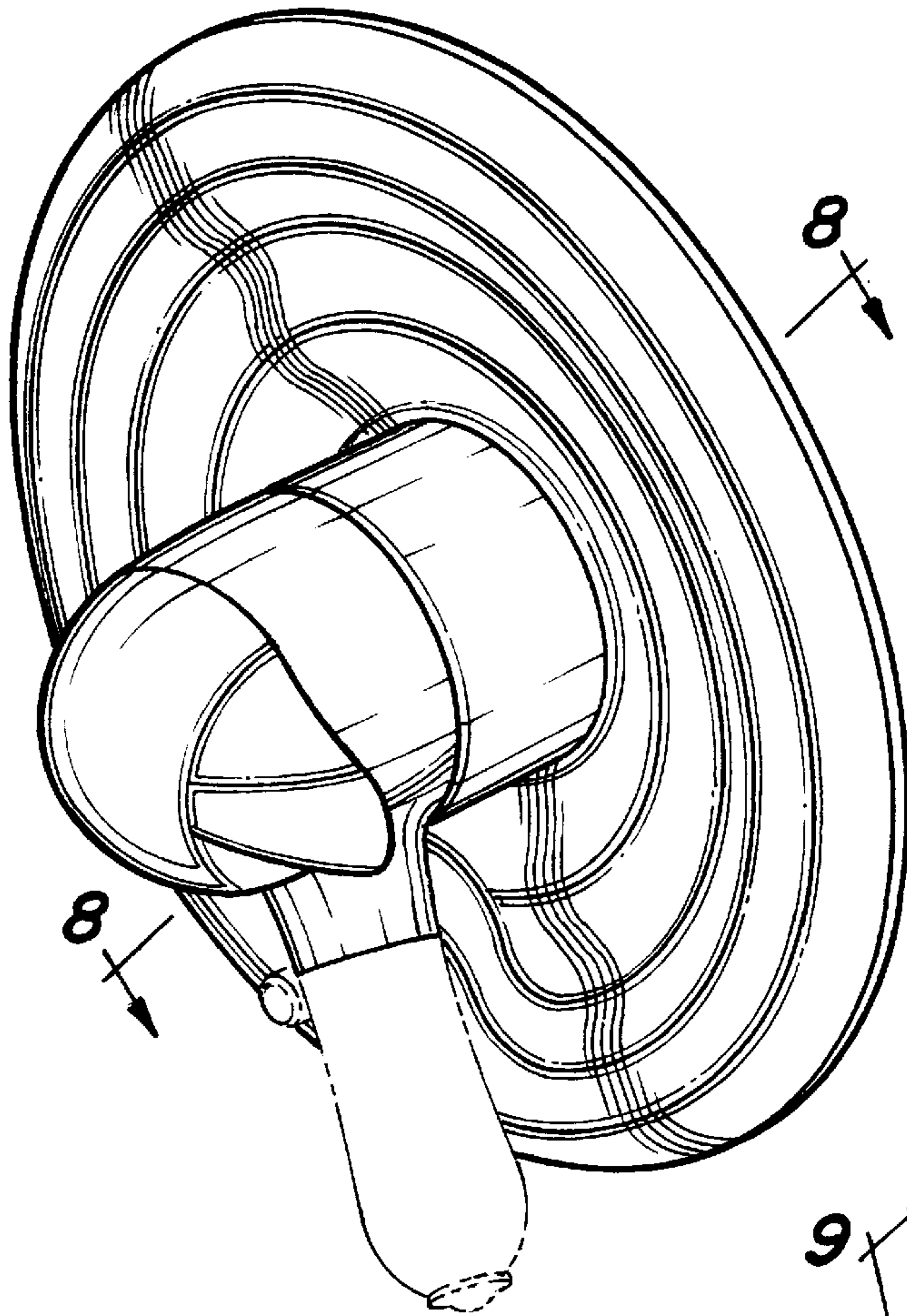
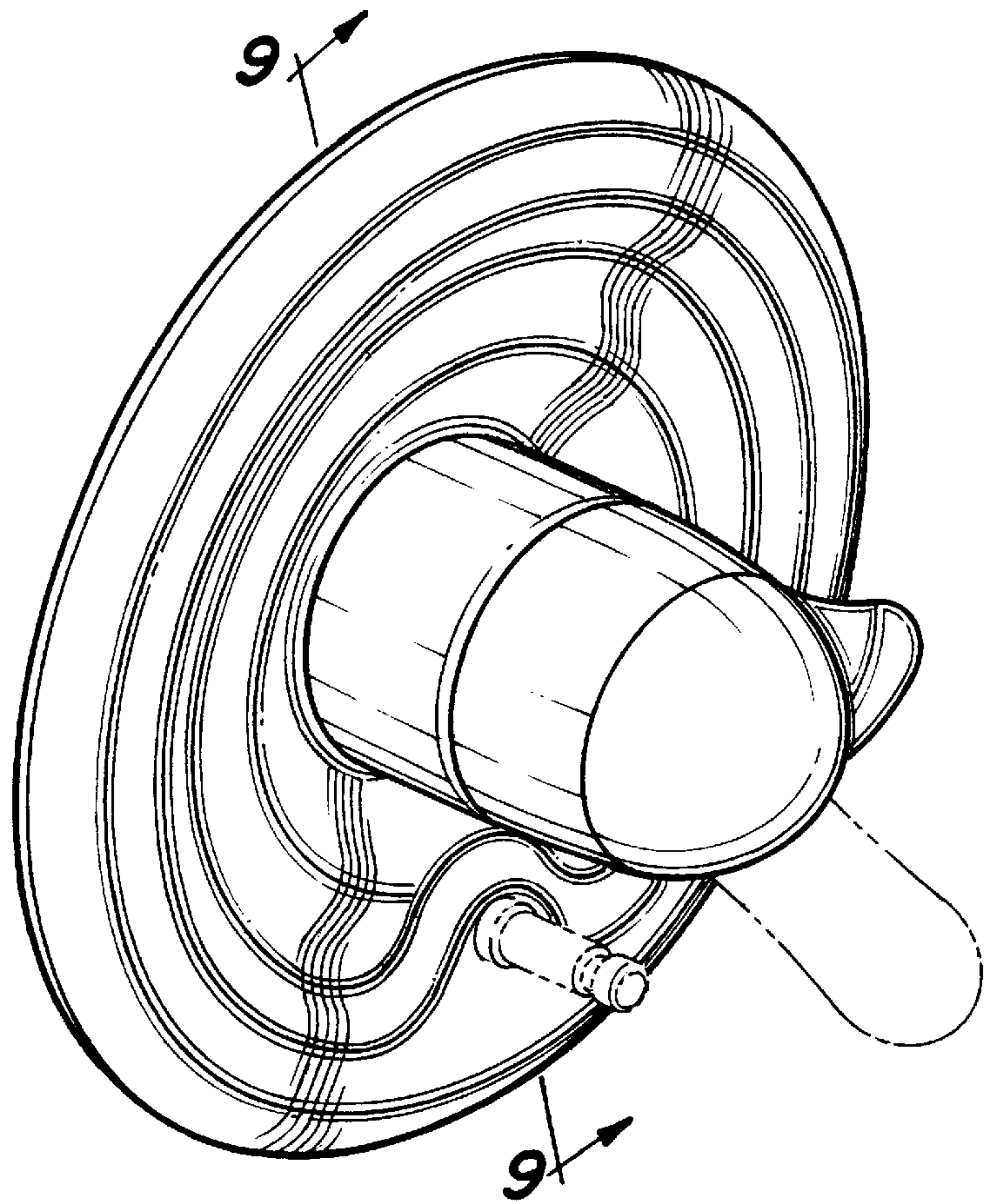


Fig-1

Fig-2



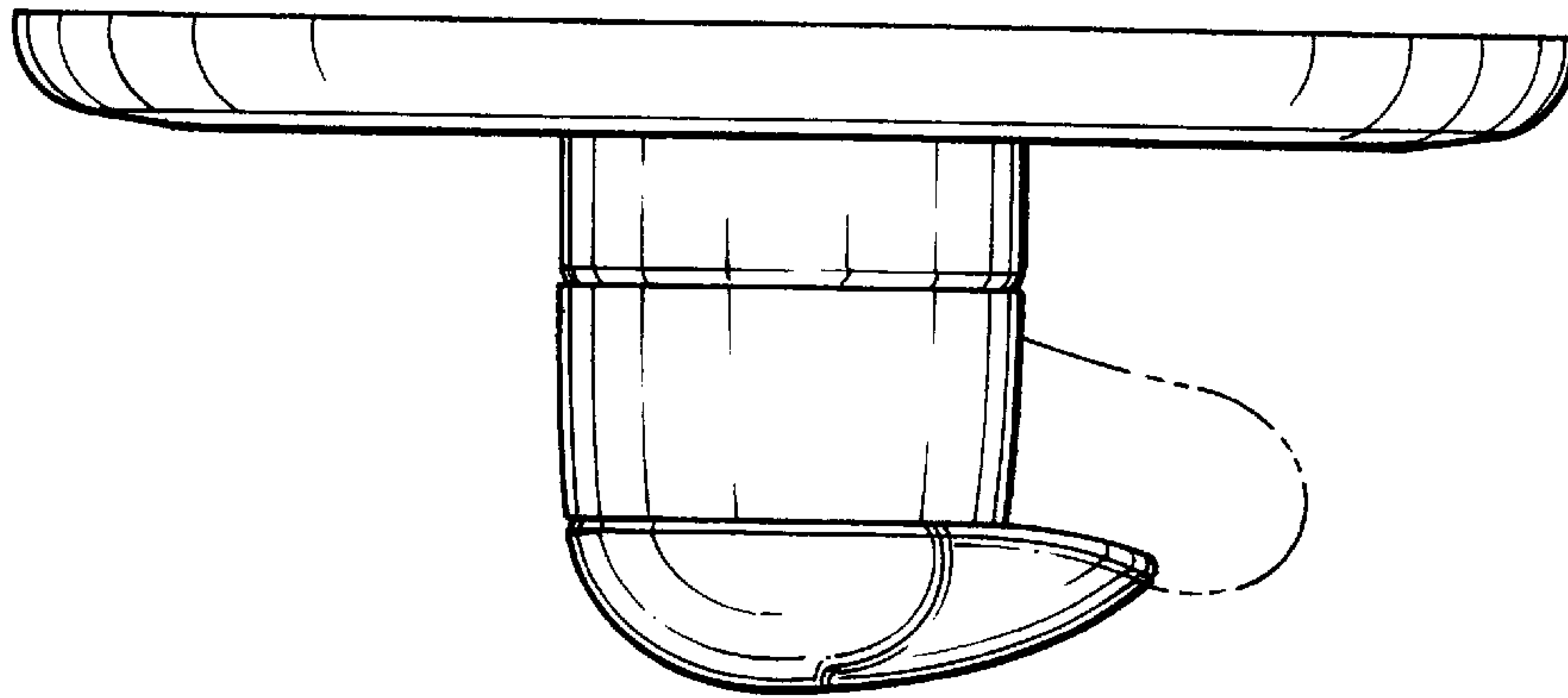


Fig-3

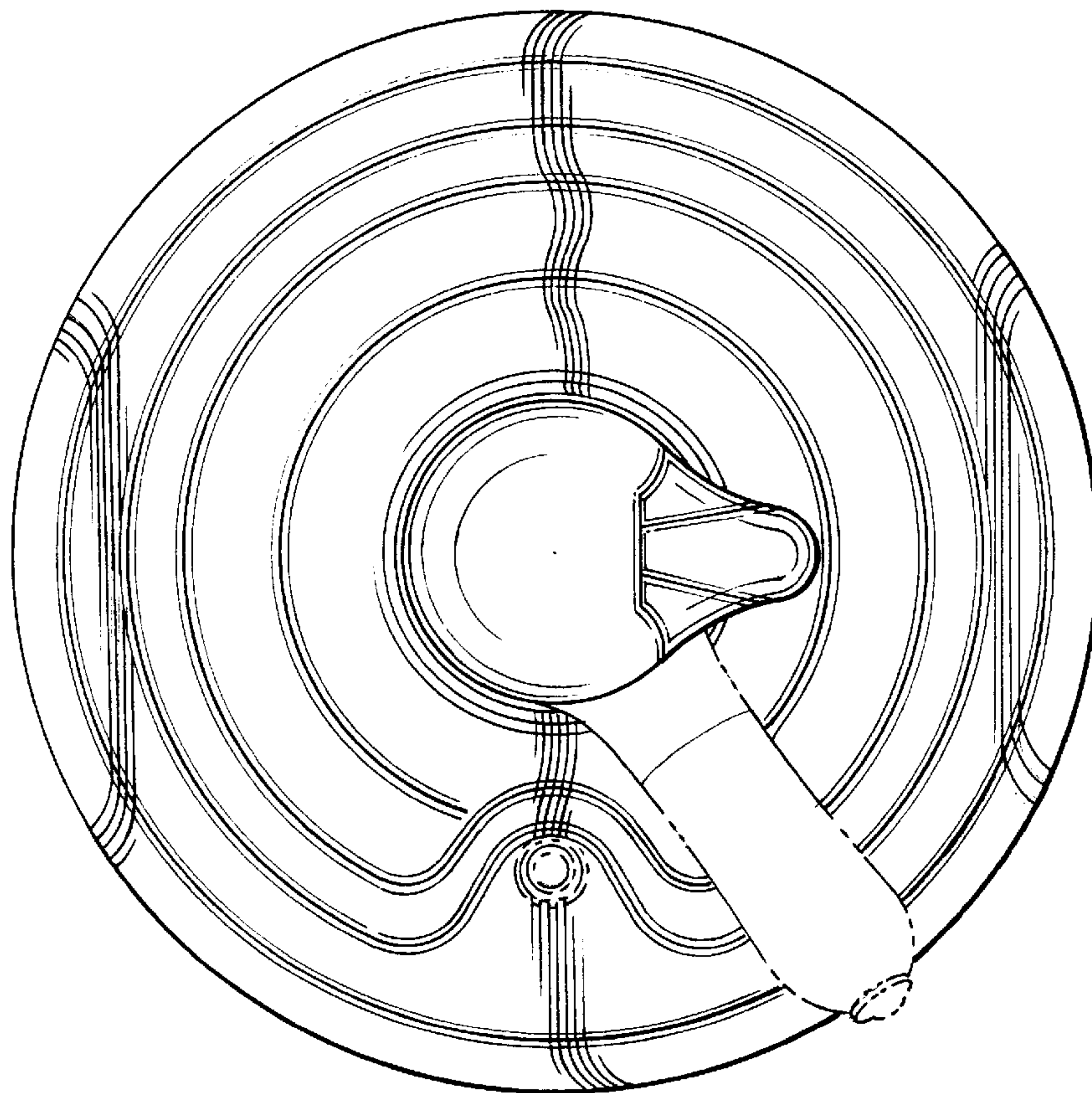


Fig-4

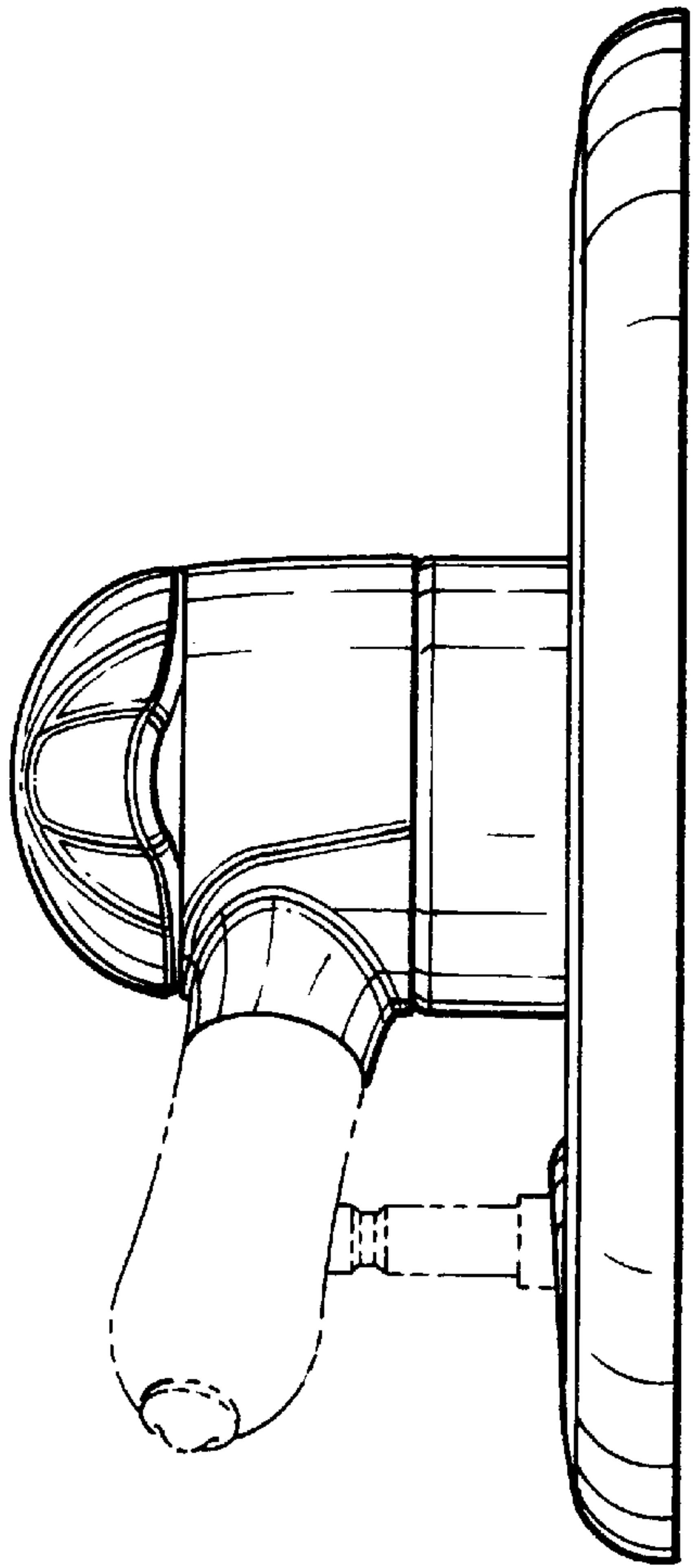


Fig-5

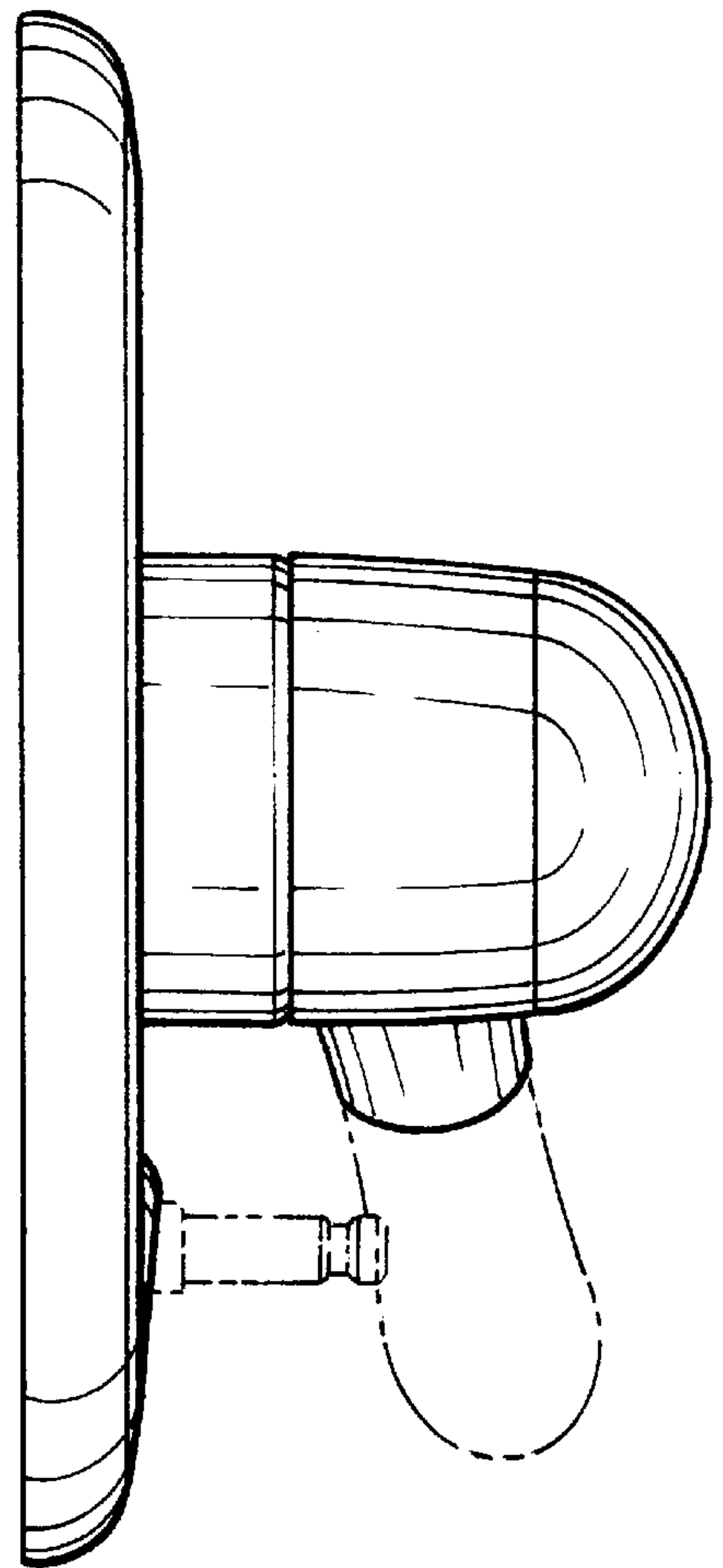


Fig-6

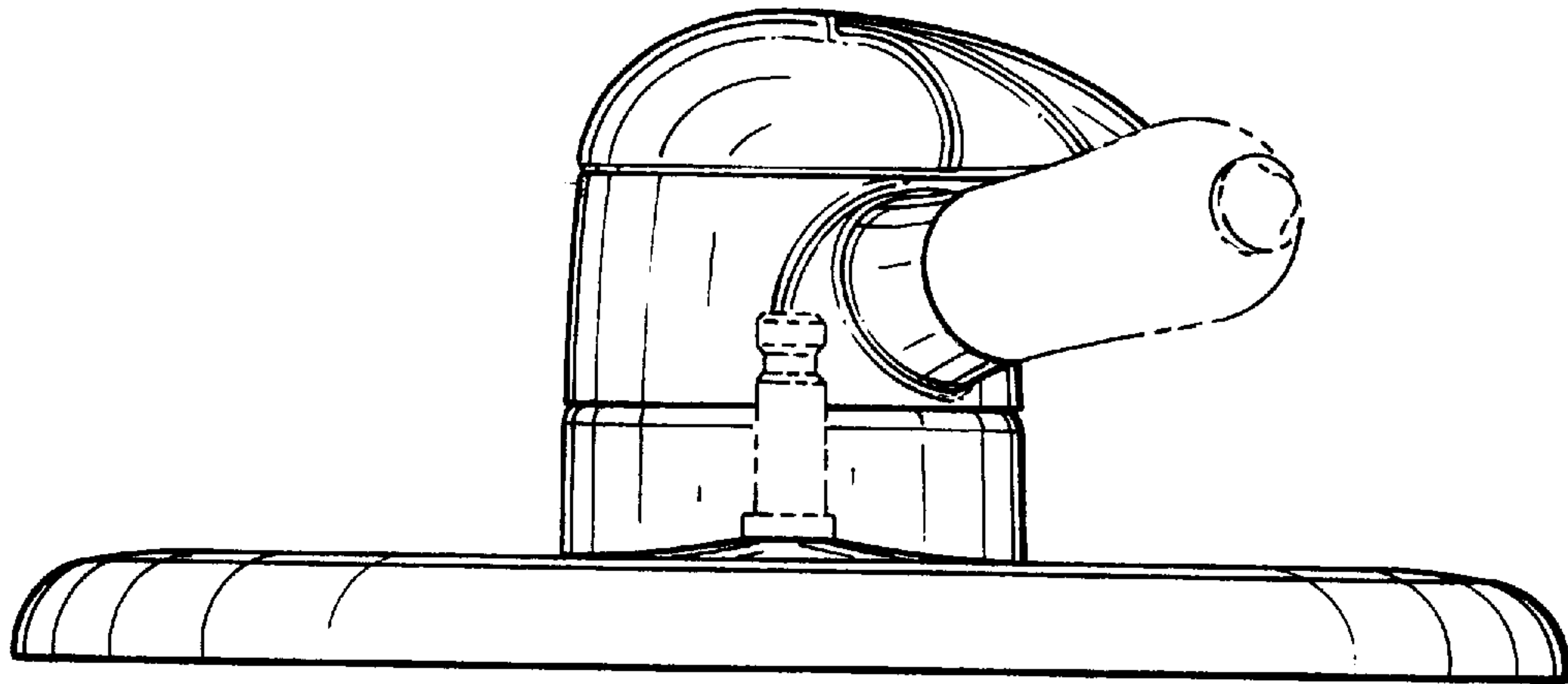


Fig-7

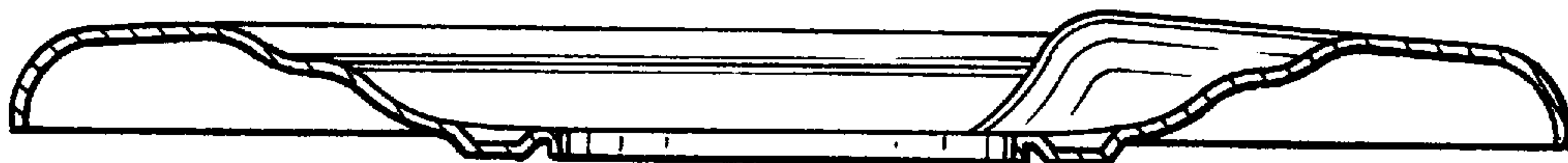


Fig-8

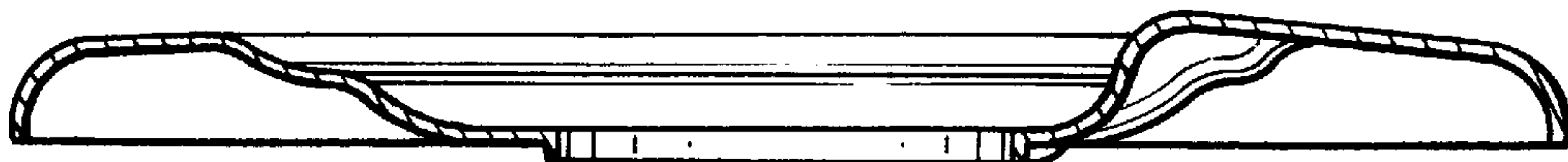


Fig-9