



US00D405510S

United States Patent [19]
Lord

[11] **Patent Number:** **Des. 405,510**
[45] **Date of Patent:** ****Feb. 9, 1999**

[54] **SHOWER ESCUTCHEON AND HANDLE**

[75] Inventor: **Judd A. Lord**, Carmel, Ind.

[73] Assignee: **Masco Corporation of Indiana**,
Indianapolis, Ind.

[**] Term: **14 Years**

[21] Appl. No.: **79,228**

[22] Filed: **Nov. 10, 1997**

[51] **LOC (6) Cl.** **23-01**

[52] **U.S. Cl.** **D23/254**

[58] **Field of Search** D23/238-243,
D23250-254; D8/350, 352, 312, 399; 292/357

[56] **References Cited**

U.S. PATENT DOCUMENTS

D. 68,807 11/1925 Hill D8/312
D. 93,624 10/1934 Kasch .
D. 101,449 10/1936 Dreyfuss .
D. 124,643 1/1941 Martin .
D. 126,074 11/1941 Judell .
D. 152,809 9/1949 MacCauley .
D. 162,273 1/1951 Young .
D. 163,236 3/1951 Young .
D. 164,606 9/1951 Schlage D8/352
D. 180,254 5/1957 Tiller .
D. 186,422 10/1959 Kohler .
D. 187,206 2/1960 Dreyfuss .
D. 193,756 10/1962 Parker .
D. 193,757 10/1962 Armstrong .
D. 194,229 12/1962 Landell et al. .
D. 201,270 6/1965 Taylor et al. .
D. 203,795 2/1966 Harvey et al. .
D. 208,103 7/1967 Donner .
D. 209,805 1/1968 Barker .
D. 212,611 11/1968 Young .
D. 213,779 4/1969 DuBois .
D. 219,779 1/1971 Tiller .
D. 219,780 1/1971 Niemann .
D. 223,746 6/1972 Lambertz .
D. 226,090 1/1973 DuBois .
D. 235,098 5/1975 Doman .
D. 237,275 10/1975 Landell .
D. 241,440 9/1976 Doman .
D. 263,989 4/1982 Fleischmann et al. D23/282

D. 263,990 4/1982 Fleischmann .
D. 265,117 6/1982 Fleischmann .
D. 271,705 12/1983 Fabian .
D. 272,082 1/1984 Fabian .
D. 285,106 8/1986 Yost .
D. 285,107 8/1986 Ogilvie .
D. 285,108 8/1986 Ogilvie .
D. 285,245 8/1986 Ogilvie .
D. 290,496 6/1987 Rydn .
D. 291,237 8/1987 Delepine .
D. 291,239 8/1987 Haug et al. .
D. 294,168 2/1988 Fabian .
D. 299,160 12/1988 Lathrop .
D. 300,238 3/1989 Kohler et al. .
D. 301,276 5/1989 Bengtsson .
D. 302,850 8/1989 Lathrop .
D. 303,566 9/1989 Kohler et al. .
D. 303,831 10/1989 Ramsey et al. .
D. 310,324 9/1990 Bernacch et al. D8/399
D. 319,294 8/1991 Kohler et al. .
D. 321,468 11/1991 Reo D8/352
D. 322,926 1/1992 Foloda et al. D8/352
D. 323,022 1/1992 Ragonot .
D. 326,899 6/1992 Haug et al. .
D. 330,754 11/1992 Gottwald .
D. 331,099 11/1992 Gottwald .
D. 331,797 12/1992 Gottwald .
D. 332,826 1/1993 Rosenbaum D23/254
D. 333,698 3/1993 Gottwald .
D. 336,947 6/1993 Gottwald .
D. 344,128 2/1994 Gottwald .
D. 345,004 3/1994 Bengtson .
D. 345,782 4/1994 Short et al. .
D. 355,021 1/1995 Schott et al. D23/254
D. 363,765 10/1995 Starck .
D. 373,180 8/1996 Gottwald .
3,960,016 6/1976 Symmons .

Primary Examiner—Louis S. Zarfaz
Assistant Examiner—Eric Watterson
Attorney, Agent, or Firm—Myron B. Kapustij; Leon E. Redman

[57] **CLAIM**

The ornamental design for a shower escutcheon and handle, as shown and described.

DESCRIPTION

FIG. 1 is a front, left perspective view of a shower escutcheon and handle;

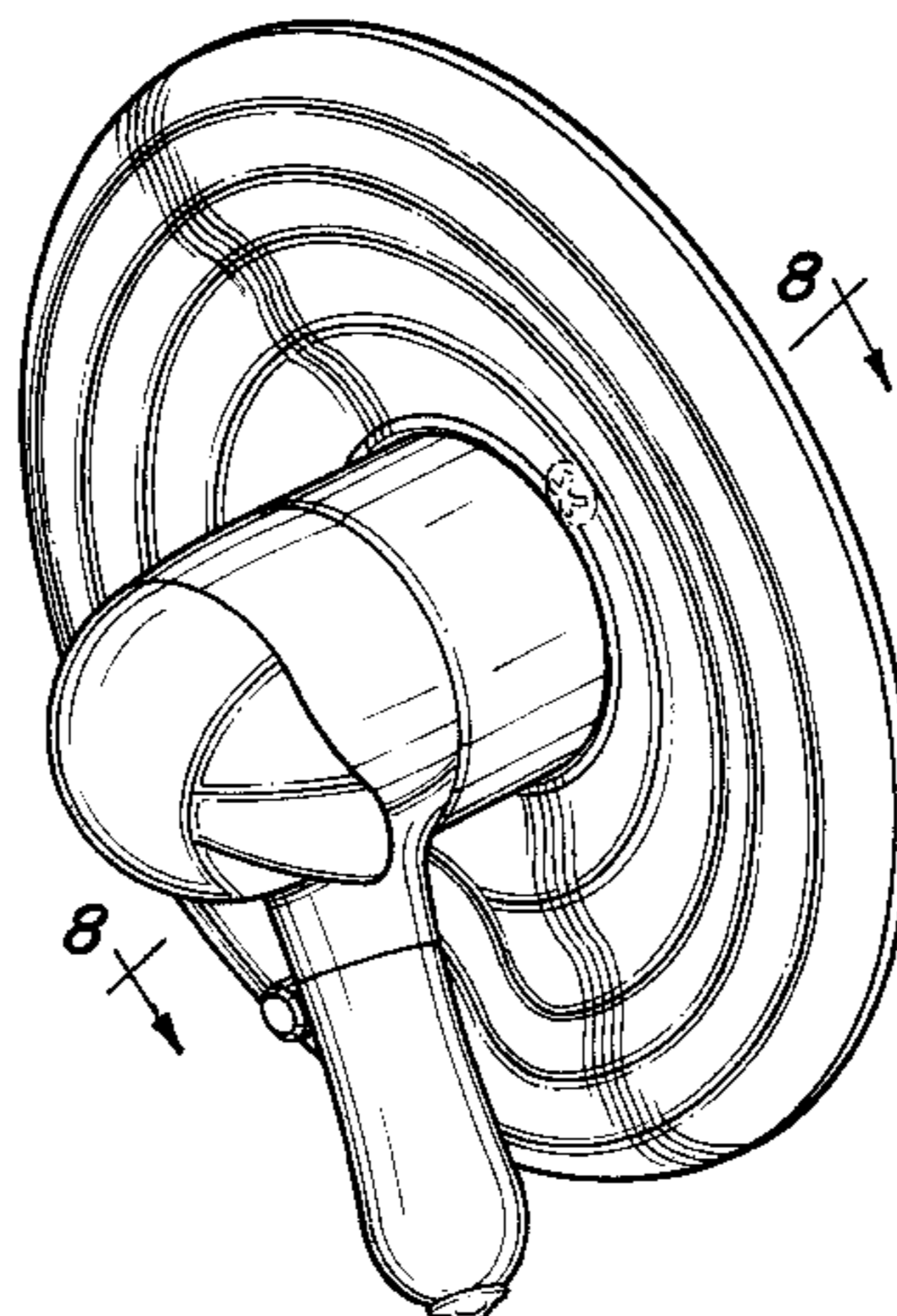


FIG. 2 is a front, right perspective view thereof;
FIG. 3 is a top plan view thereof;
FIG. 4 is a front elevational view thereof;
FIG. 5 is a left side elevational view thereof;
FIG. 6 is a right side elevational view thereof;
FIG. 7 is a bottom plan view thereof;
FIG. 8 is a cross-sectional view taken along line 8—8 in FIG. 1; and,

FIG. 9 is a cross-sectional view taken along line 9—9 in FIG. 2.

The broken line showing of the screws in FIGS. 1, 2 and 4 is for purposes of illustration only and forms no part of the claimed design.

1 Claim, 4 Drawing Sheets

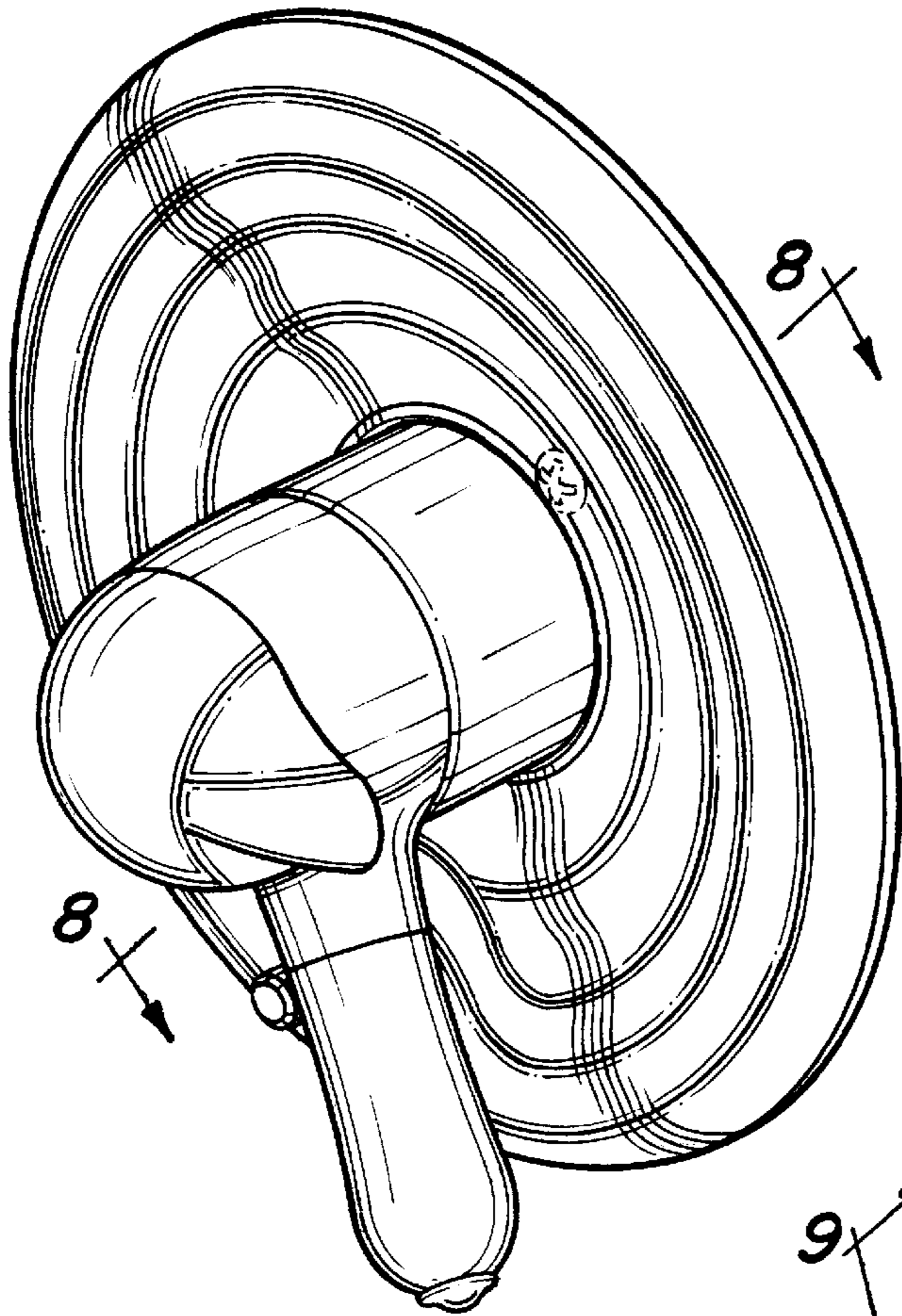


Fig-1

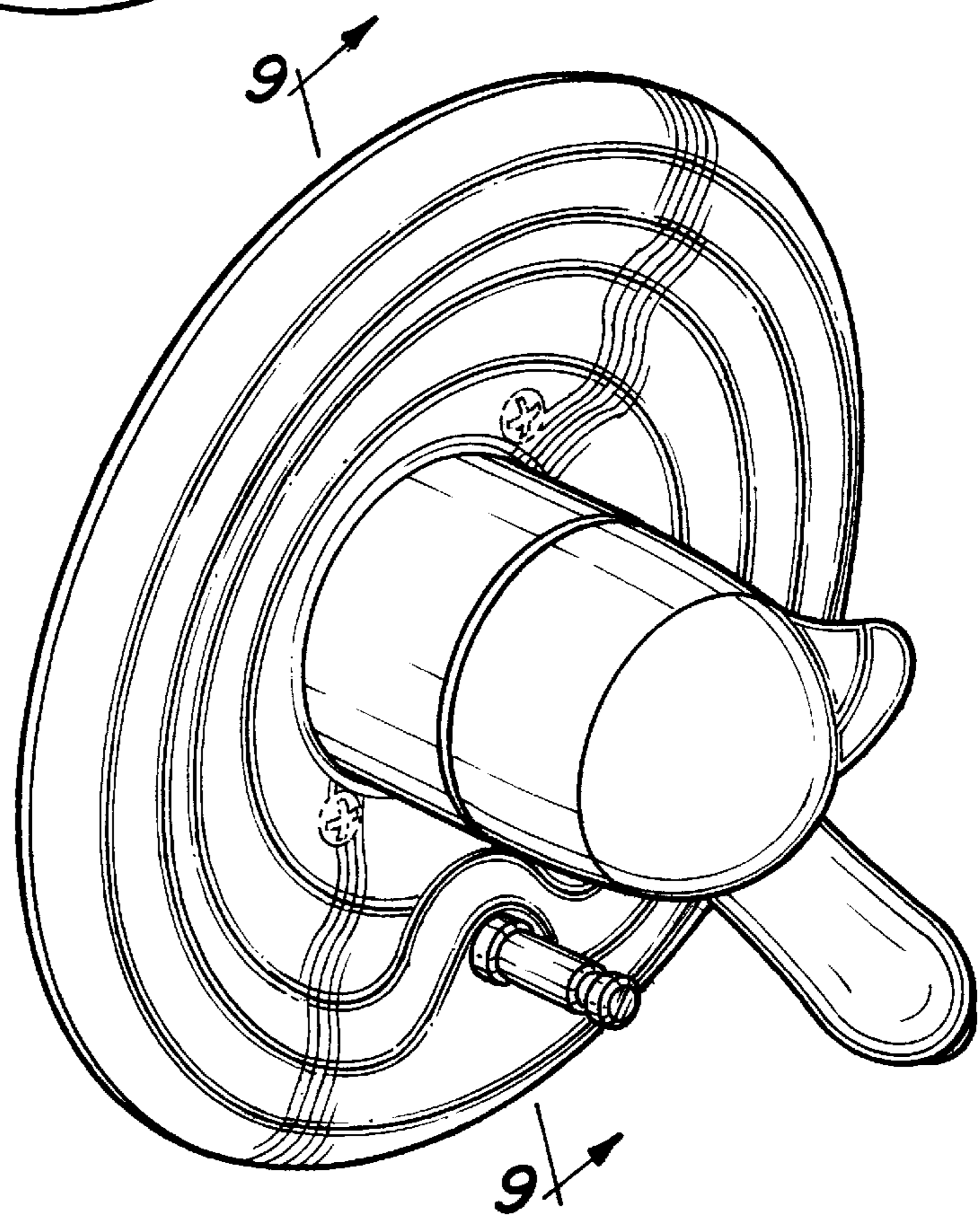


Fig-2

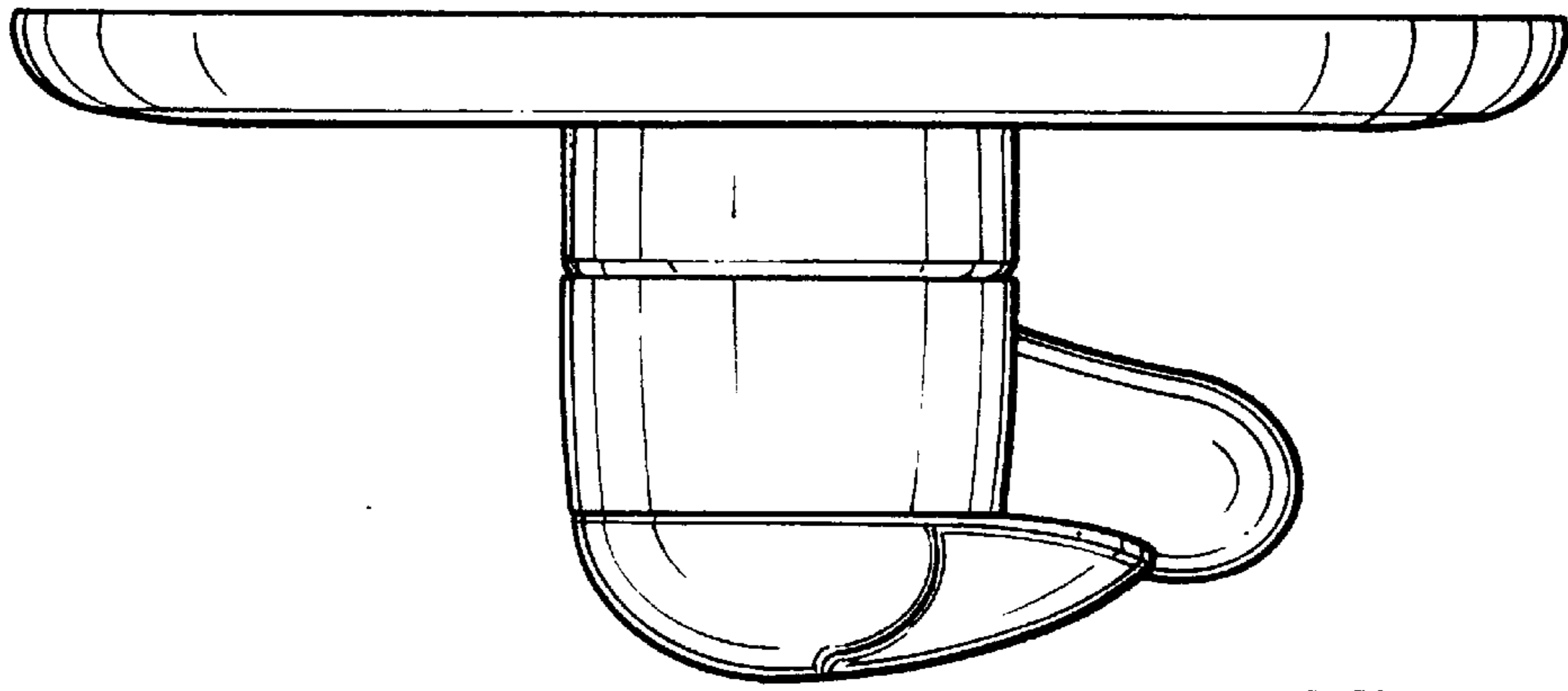


Fig-3

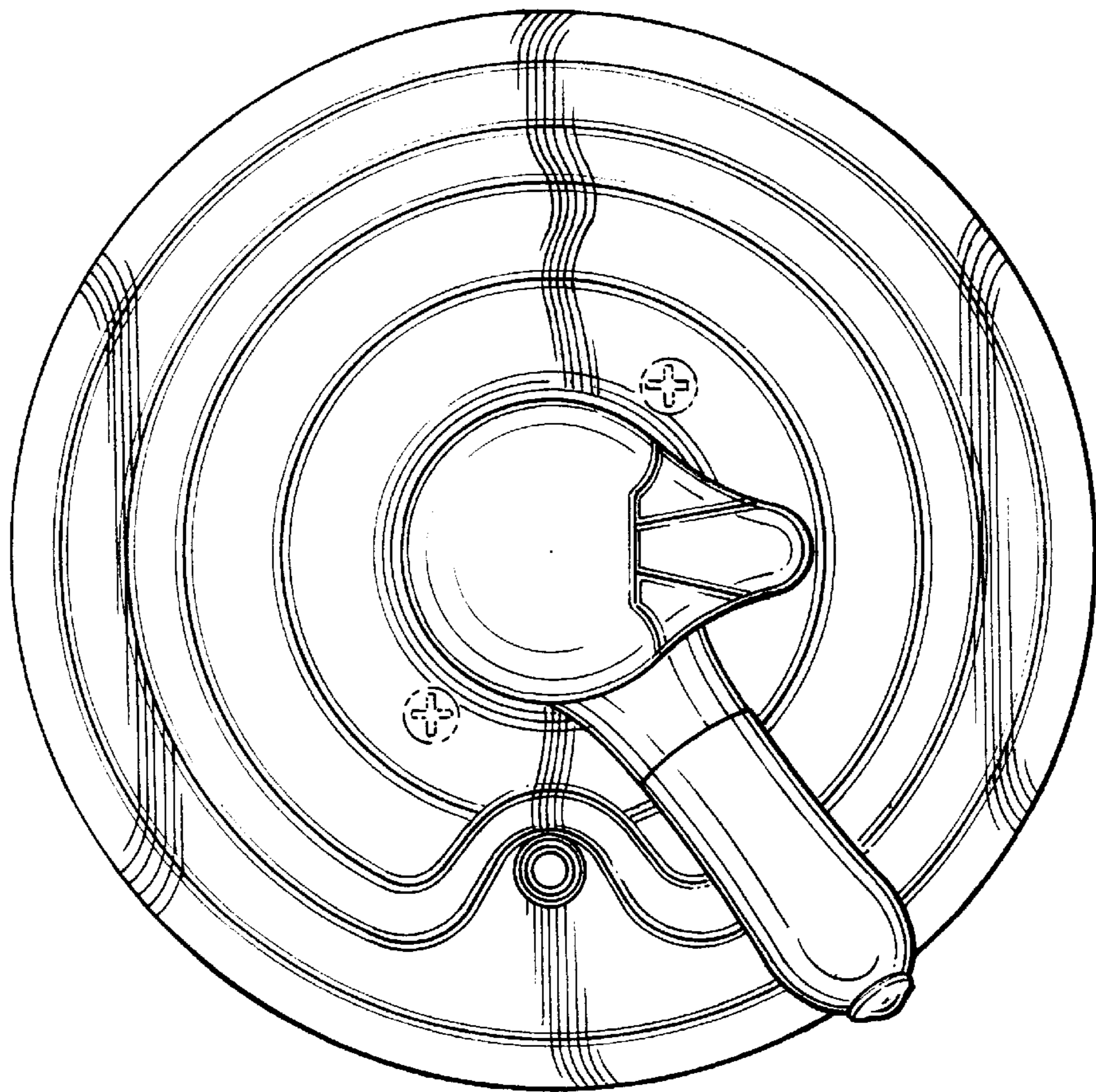


Fig-4

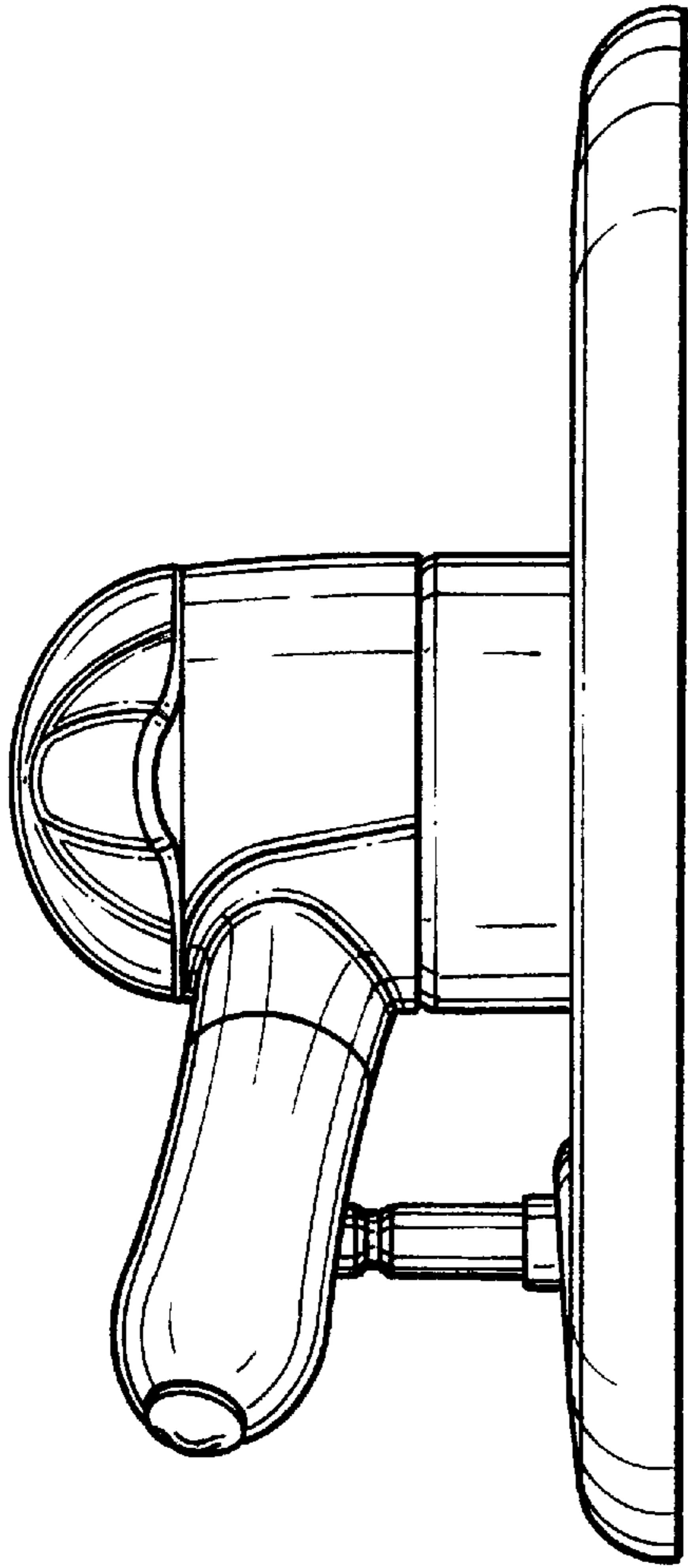


Fig-5

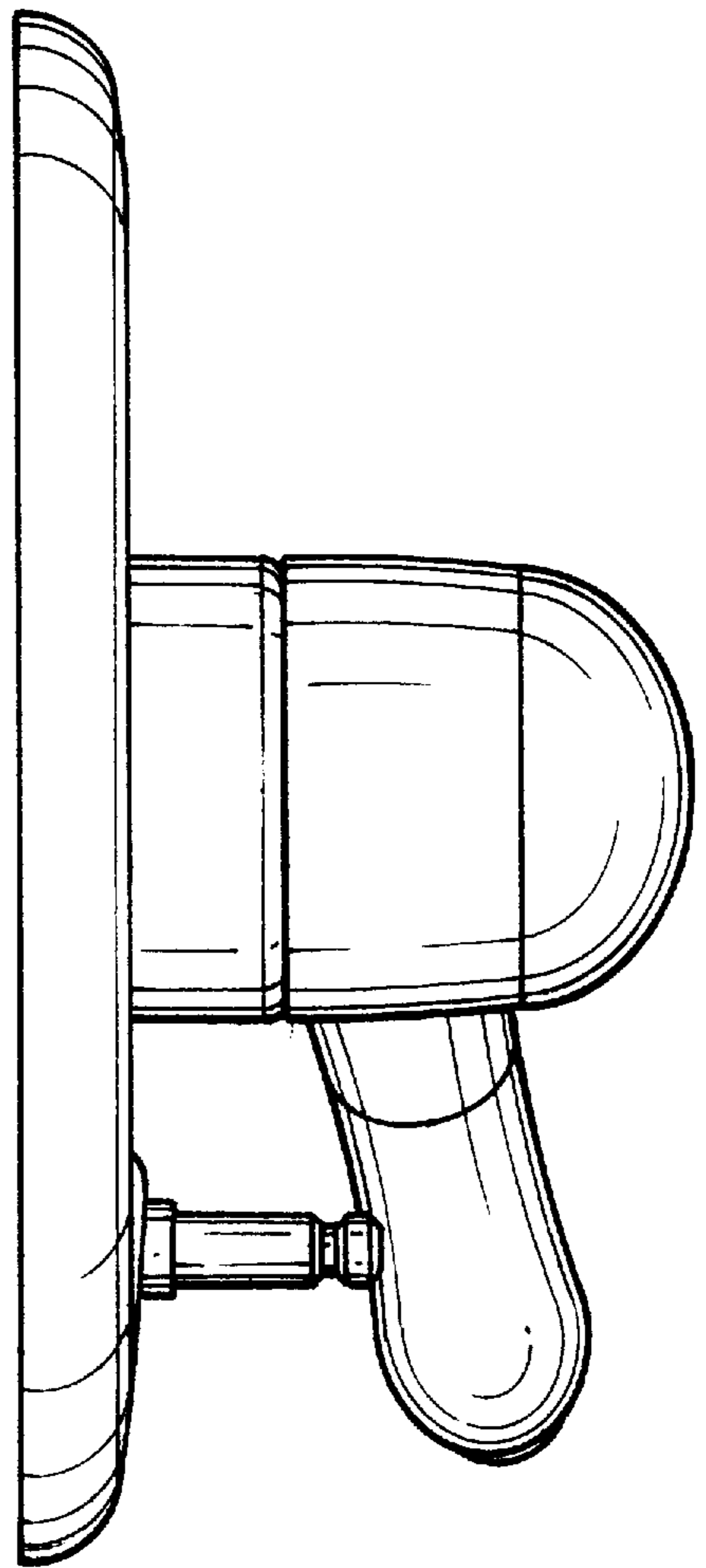


Fig-6

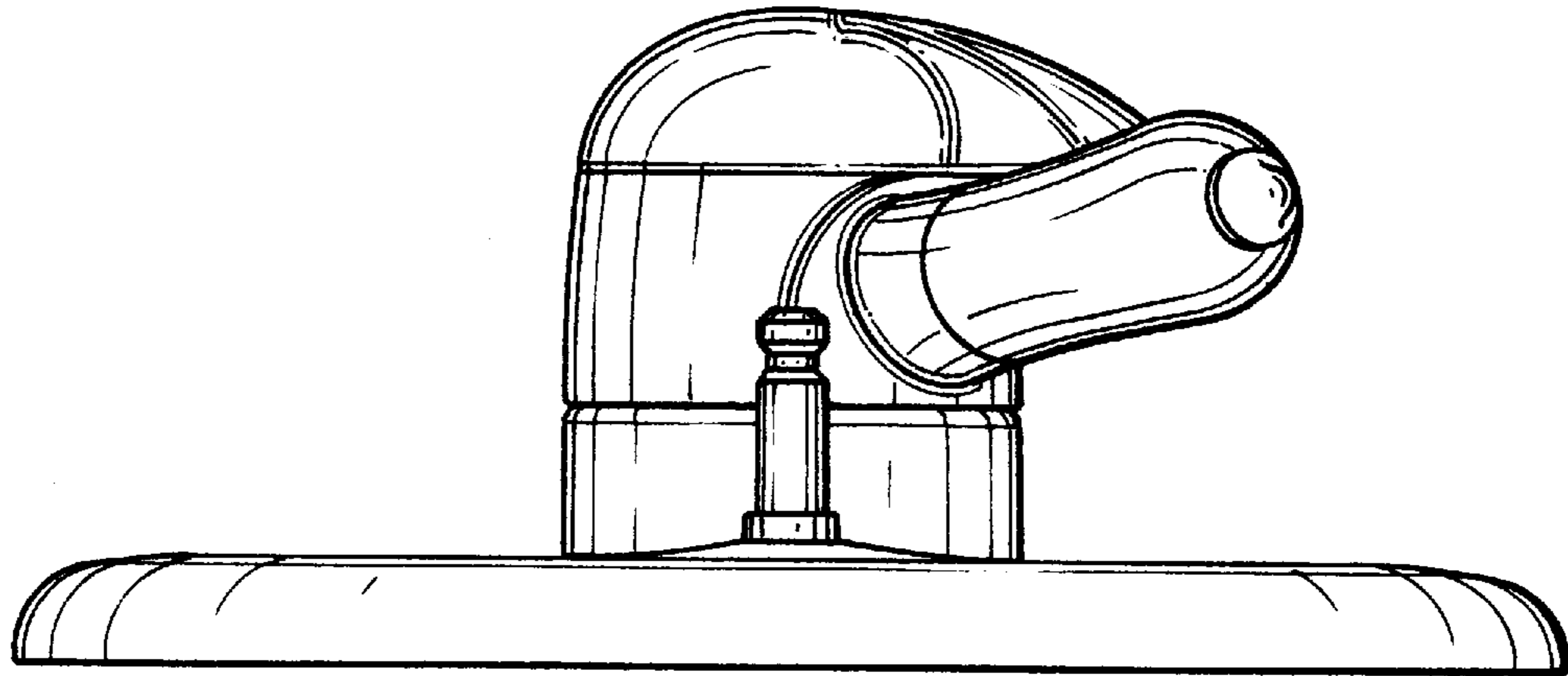


Fig-7

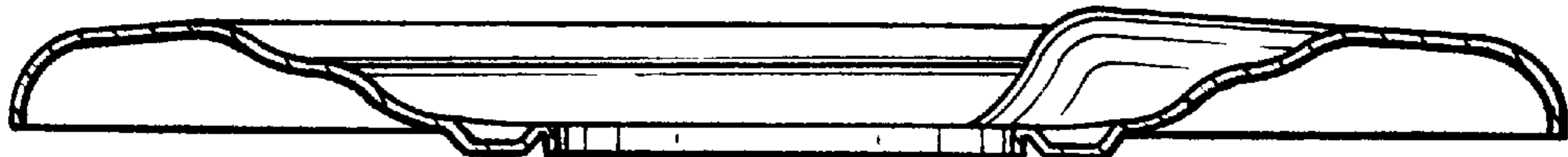


Fig-8

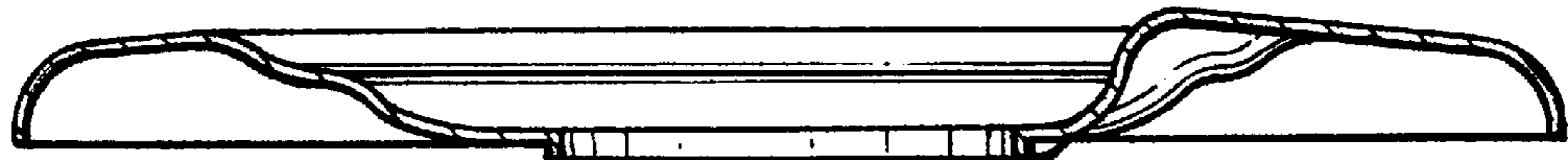


Fig-9