



US00D405506S

United States Patent [19]
Lord

[11] **Patent Number: Des. 405,506**

[45] **Date of Patent: **Feb. 9, 1999**

[54] **TWO HANDLE FAUCET SPOUT CAP**

[75] **Inventor: Judd A. Lord, Carmel, Ind.**

[73] **Assignee: Masco Corporation of Indiana,
Indianapolis, Ind.**

[*] **Notice: The term of this patent shall not extend
beyond the expiration date of Pat. No. D.
404,468.**

[**] **Term: 14 Years**

[21] **Appl. No.: 75,728**

[22] **Filed: Aug. 22, 1997**

[51] **LOC (6) Cl. 23-01**

[52] **U.S. Cl. D23/249; D23/260**

[58] **Field of Search D23/260, 261,
D23/237-243, 250-257; 4/675-678, 244.2;
D8/397, 399, 394; 220/724, 726; 137/381,
377, 382, 382.5, 395; 138/89, 89.1-89.3,
96 R, 96 T; 16/121**

[56] **References Cited**

U.S. PATENT DOCUMENTS

- D. 148,252 12/1947 Rausch D23/250
- D. 170,468 9/1953 Gries D8/397
- D. 269,696 7/1983 Niemann D23/250
- D. 288,902 3/1987 Lewis D8/397

- D. 340,007 10/1993 Gershenson D8/394
- D. 354,113 1/1995 Nortier et al. D23/233
- D. 359,342 6/1995 Doughty et al. D23/241
- D. 374,172 10/1996 Frattarola D8/397
- D. 384,133 9/1997 Doughty et al. D23/241
- 4,103,701 8/1978 Jeng 137/375
- 4,593,430 6/1986 Spangler et al. 16/121

OTHER PUBLICATIONS

Delta Full Line Catalog, p. 6 (admitted prior art).

Primary Examiner—Louis S. Zarfes

Assistant Examiner—Eric Watterson

Attorney, Agent, or Firm—Myron B. Kapustij; Leon E. Redman

[57] **CLAIM**

The ornamental design for a two handle faucet spout cap, as shown and described.

DESCRIPTION

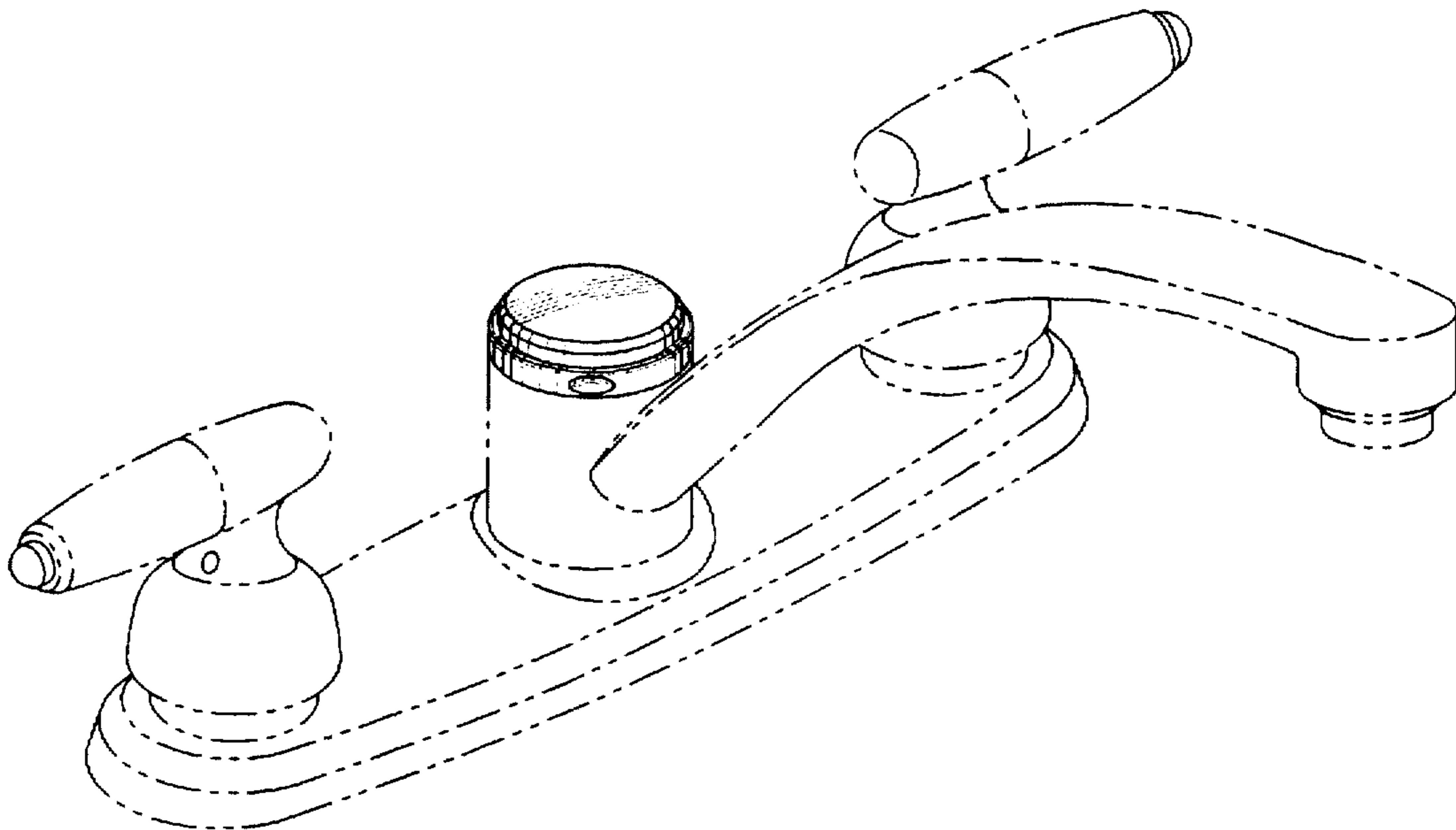
FIG. 1 is a top perspective view of a two handle faucet spout cap showing my new design;

FIG. 2 is a side elevational view thereof; and,

FIG. 3 is a top plan view thereof.

The broken line showing of the faucet and handles in FIG. 1 is for purposes of illustration only and forms no part of the claimed design.

1 Claim, 1 Drawing Sheet



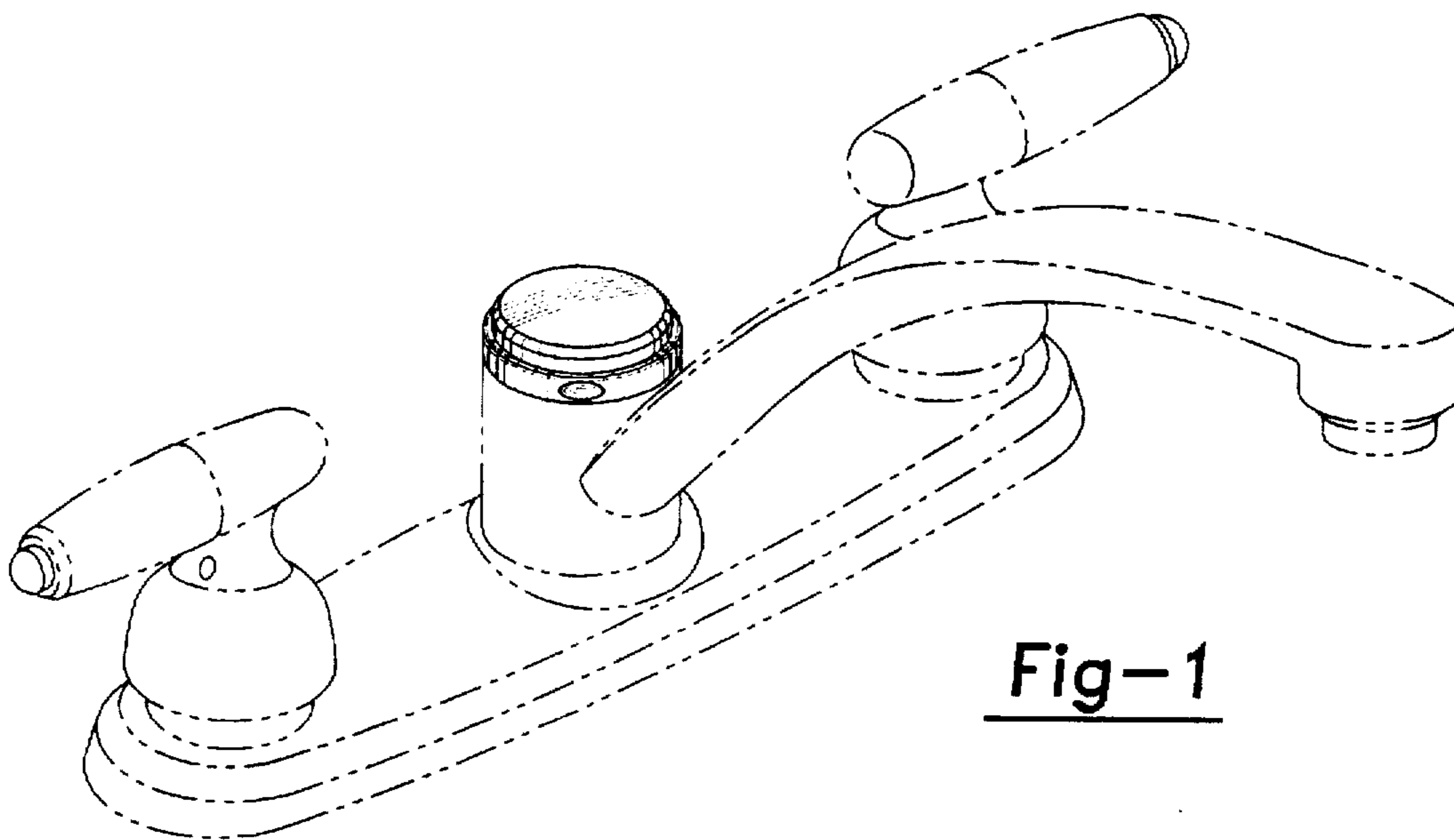


Fig-1

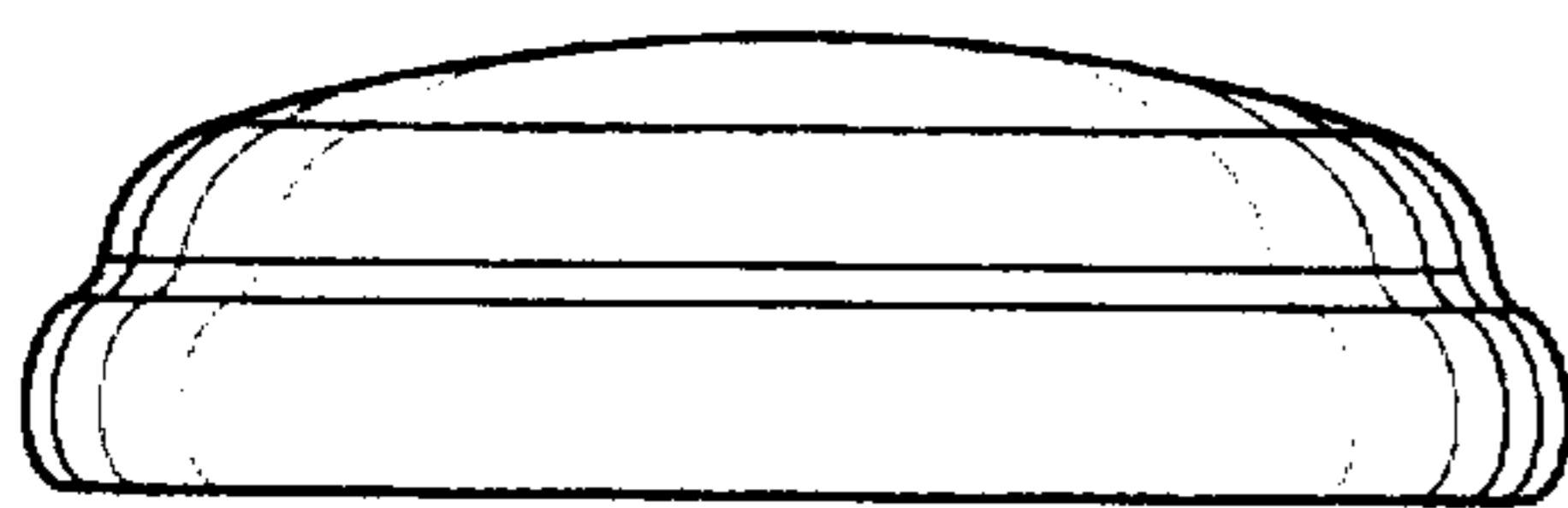


Fig-2

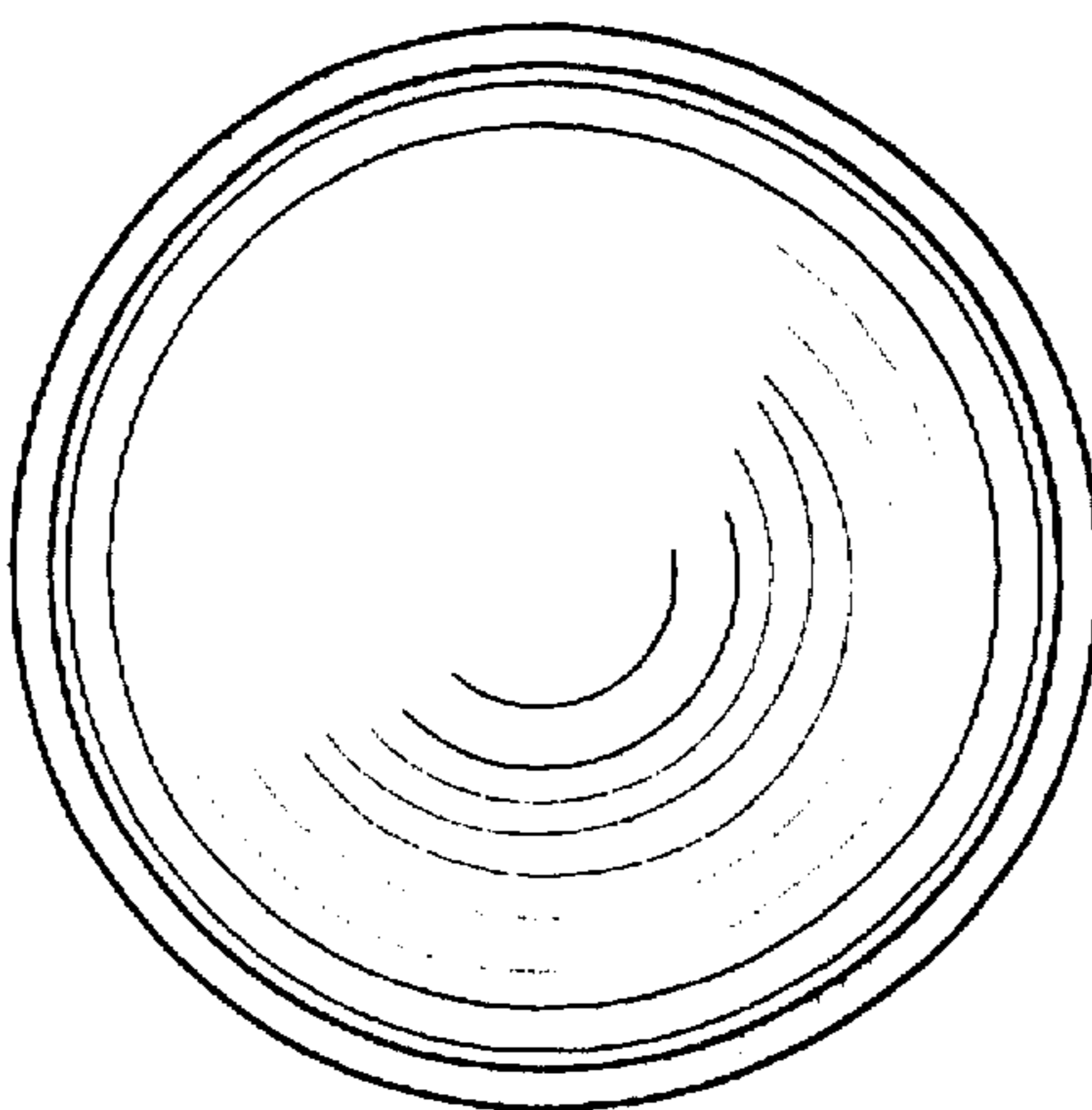


Fig-3