



US00D405504S

# United States Patent [19] Huen

[11] **Patent Number:** **Des. 405,504**

[45] **Date of Patent:** **\*\*Feb. 9, 1999**

[54] **SHOWER HEAD**

D. 385,616 10/1997 Dow et al. .... D23/229  
D. 387,413 12/1997 Andrus ..... D23/229

[75] Inventor: **Hing Wah Huen**, Hong Kong, Hong Kong

[73] Assignee: **Oasis Global Limited**, Kowloon, Hong Kong

[\*\*] Term: **14 Years**

*Primary Examiner*—Holly Baynham  
*Assistant Examiner*—Robin V. Taylor  
*Attorney, Agent, or Firm*—Salter & Michaelson

[21] Appl. No.: **77,680**

[22] Filed: **Oct. 7, 1997**

[51] **LOC (6) Cl.** ..... **23-01**

[52] **U.S. Cl.** ..... **D23/229**

[58] **Field of Search** ..... D23/213-4, 223-230;  
239/459, 460, 461, 394

[57] **CLAIM**

The ornamental design for a shower head, as shown.

**DESCRIPTION**

FIG. 1 is a perspective view of a shower head showing my new design;

FIG. 2 is an elevational view thereof;

FIG. 3 is a bottom plan view thereof; and,

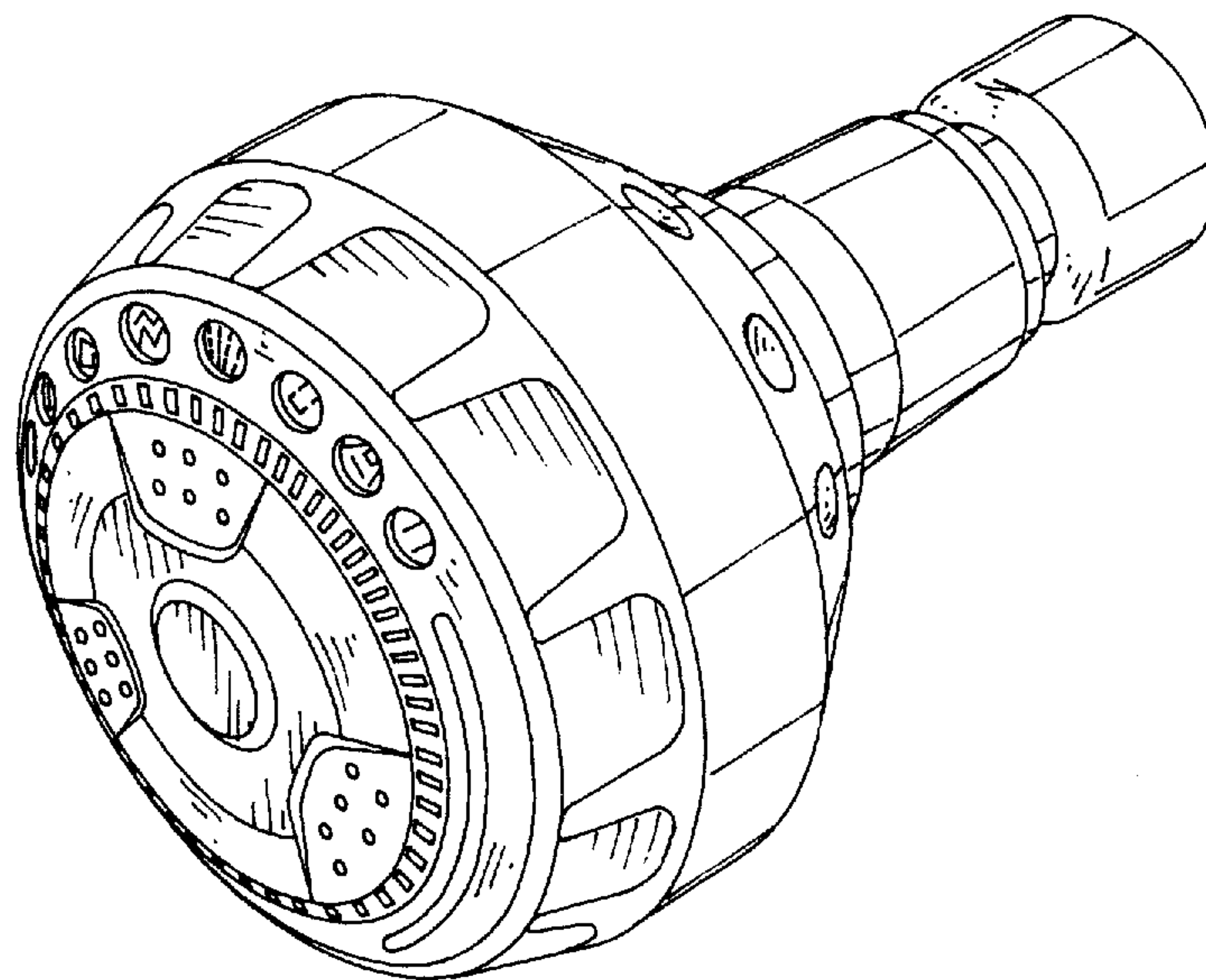
FIG. 4 is a top plan view.

[56] **References Cited**

**U.S. PATENT DOCUMENTS**

D. 375,140 10/1996 Chan ..... D23/229

**1 Claim, 2 Drawing Sheets**



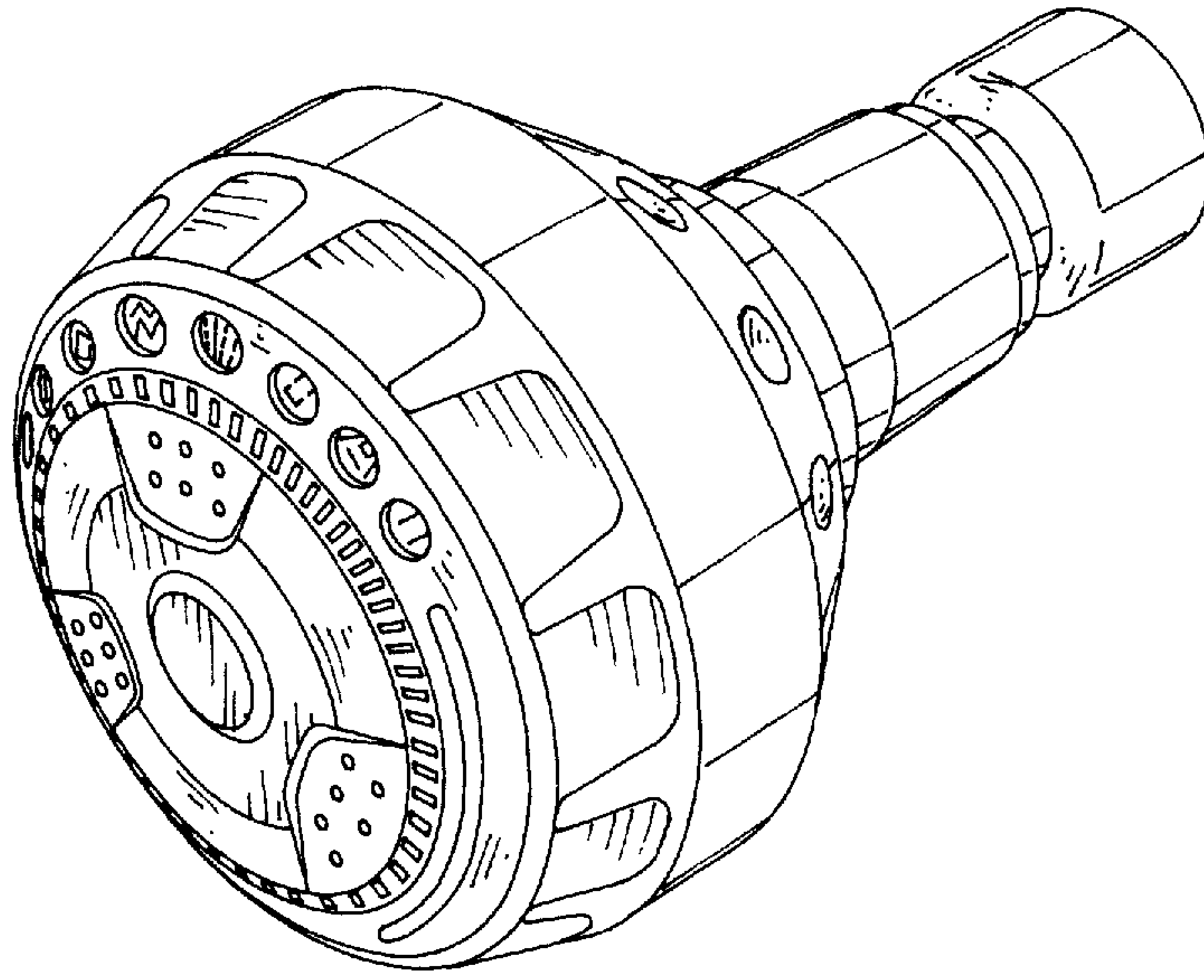


FIG. 1

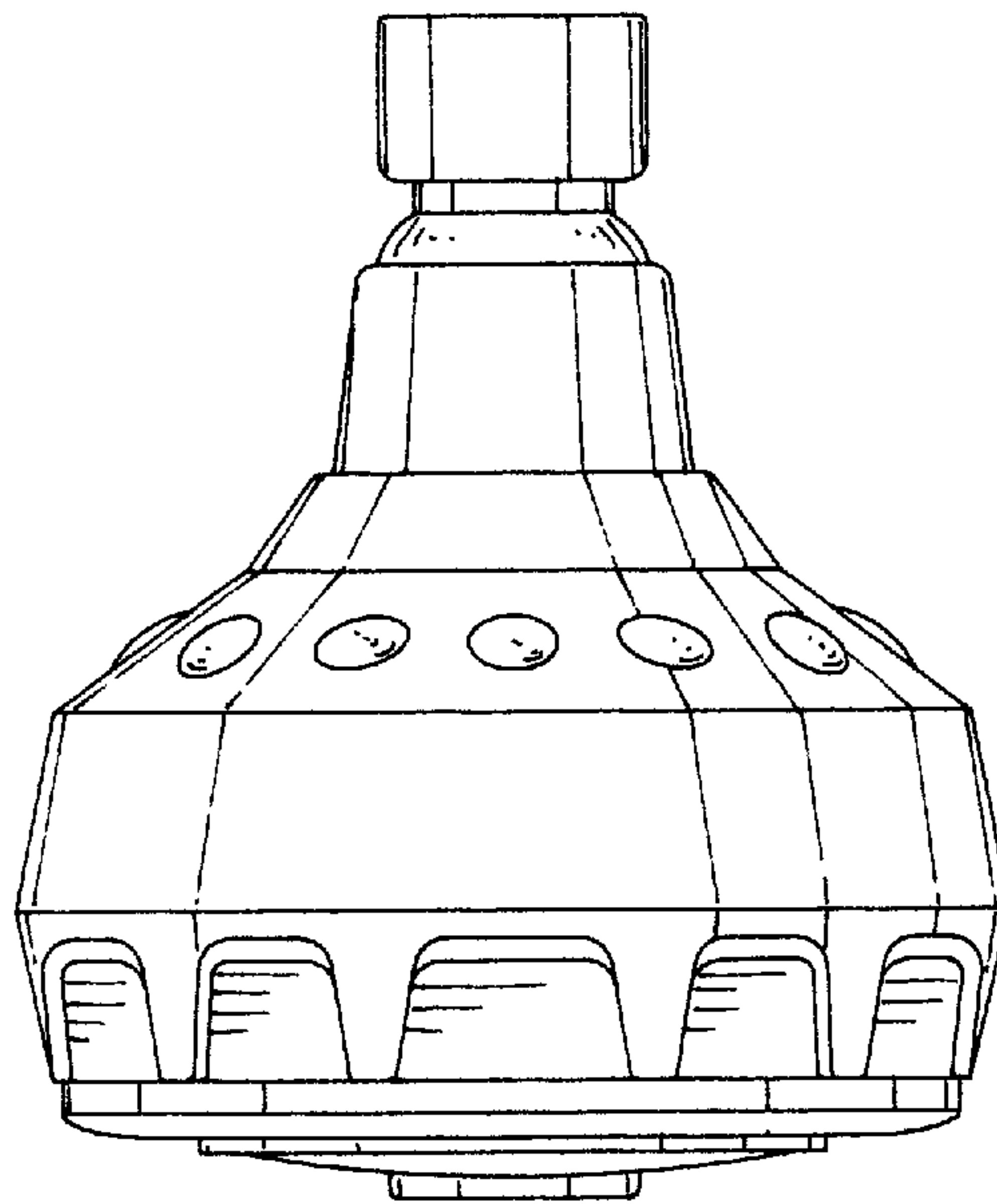


FIG. 2

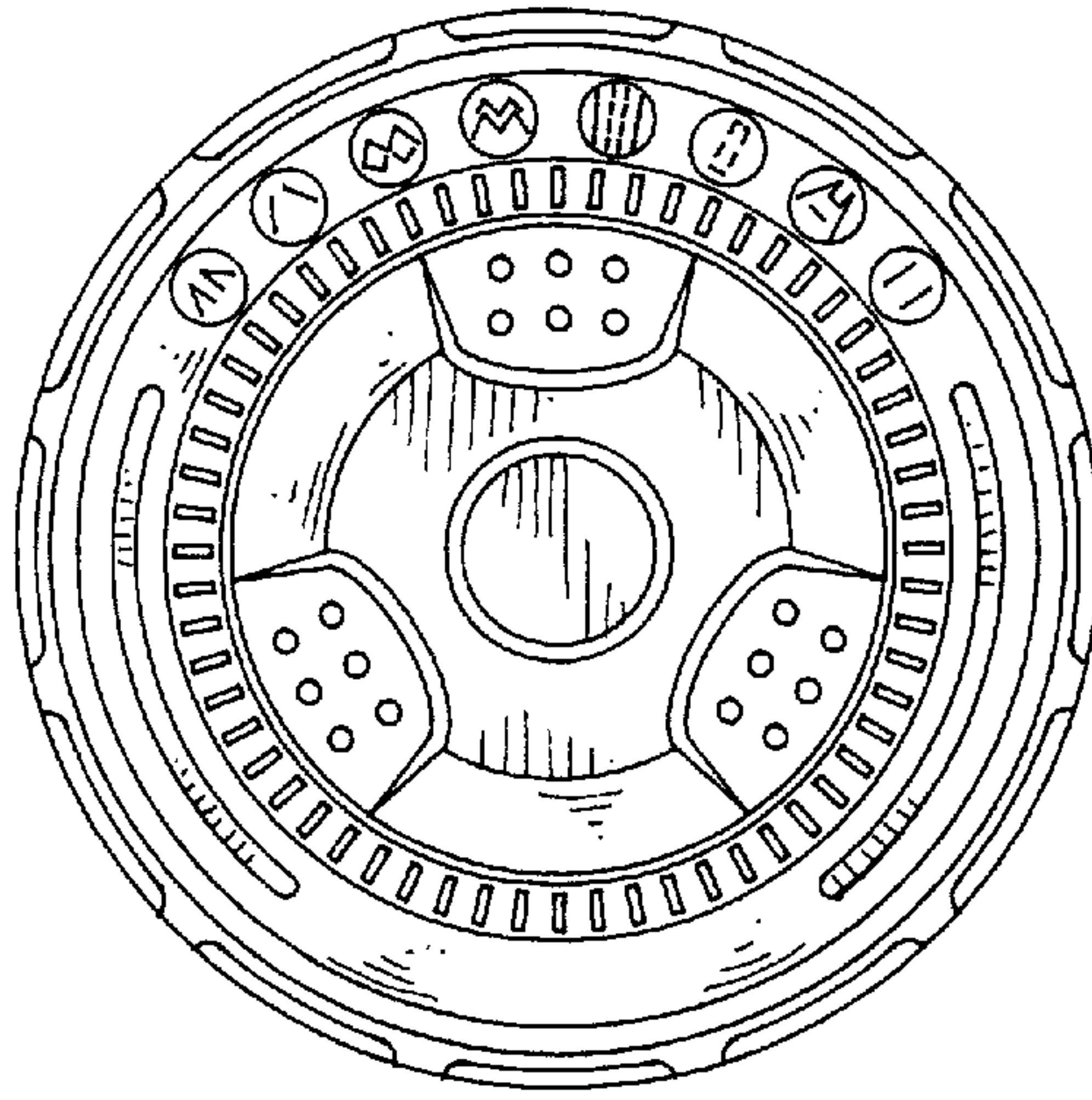


FIG. 3

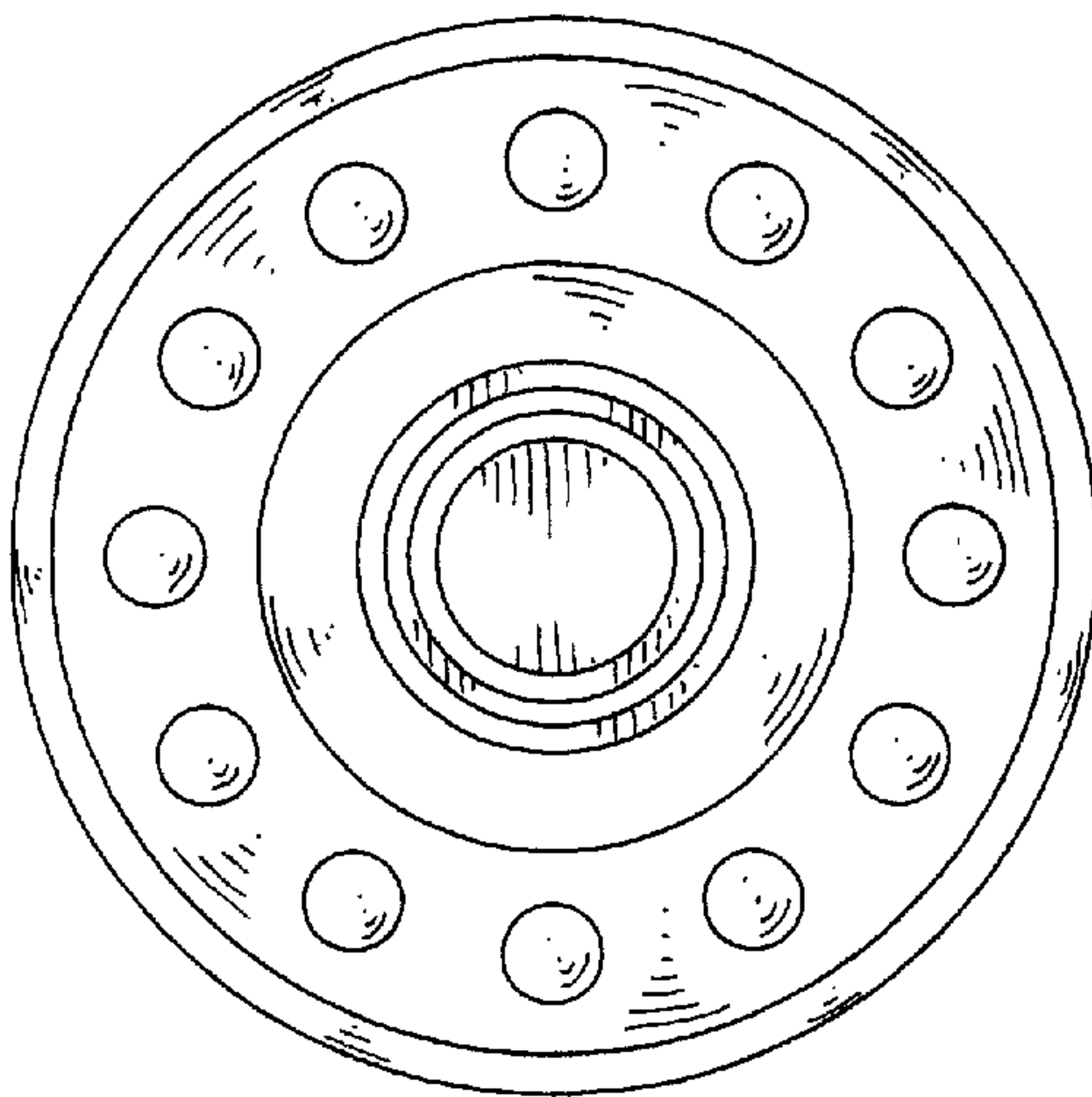


FIG. 4