



US00D405502S

United States Patent [19]
Tse

[11] **Patent Number: Des. 405,502**

[45] **Date of Patent: **Feb. 9, 1999**

[54] **SHOWER HEAD**

[75] Inventor: **Hing Fai Tse**, New Territories, Hong Kong

[73] Assignee: **Brand New Technology Ltd.**, Hong Kong, Hong Kong

[**] Term: **14 Years**

[21] Appl. No.: **81,036**

[22] Filed: **Dec. 22, 1997**

[30] **Foreign Application Priority Data**

Jun. 24, 1997 [GB] United Kingdom 2066855
Jun. 24, 1997 [GB] United Kingdom 2066856

[51] **LOC (6) Cl.** **23-01**

[52] **U.S. Cl.** **D23/223**

[58] **Field of Search** D23/213, 223,
D23/226, 229, 230; 239/394, 459-461

[56] **References Cited**

U.S. PATENT DOCUMENTS

D. 309,773 8/1990 Huen D23/223
D. 349,557 8/1994 Huen D23/223

D. 349,947 8/1994 Hing-wah D23/223
D. 361,623 8/1995 Huen D23/223
D. 379,212 5/1997 Chan D23/223
D. 389,558 1/1998 Andrus D23/223

Primary Examiner—Alan P. Douglas
Assistant Examiner—Robin V. Taylor
Attorney, Agent, or Firm—Miller, Sisson, Chapman & Nash, P.C.

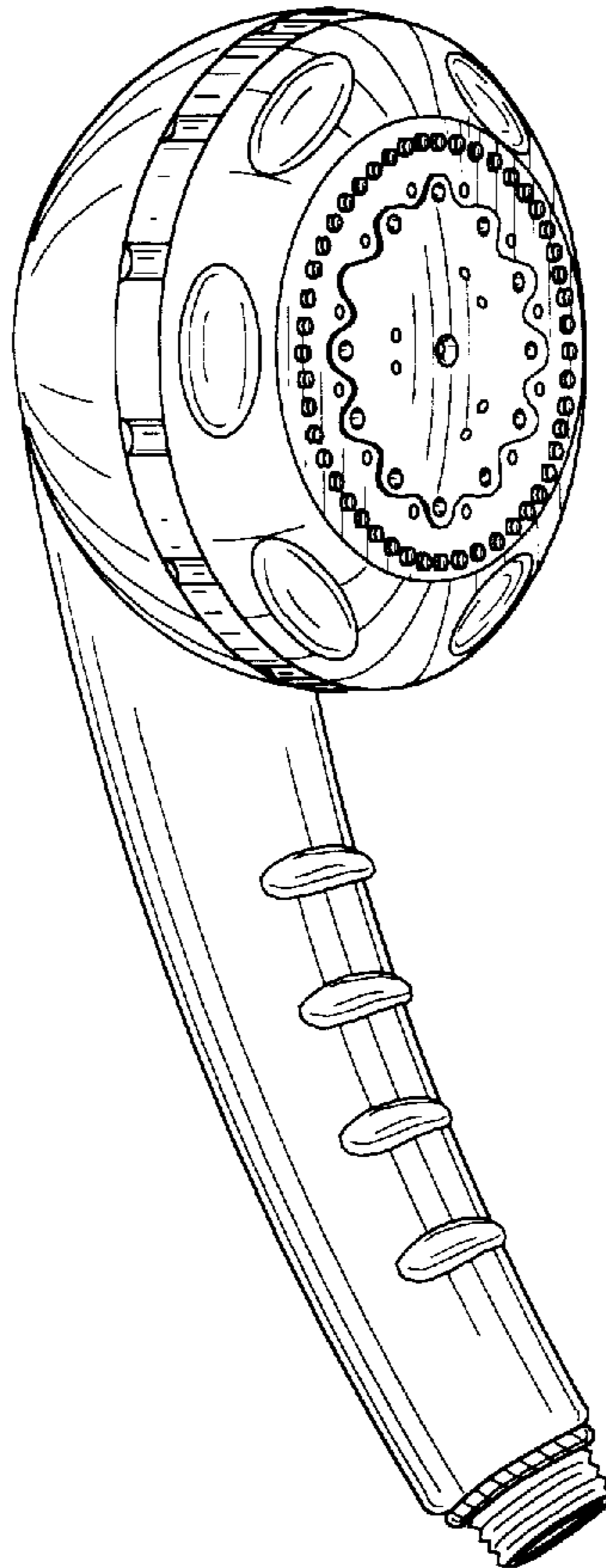
[57] **CLAIM**

The ornamental design for a shower head, as shown and described.

DESCRIPTION

FIG. 1 is a front and left side perspective view of a first embodiment of a shower head showing my new design line for the color green along the entire surface of the gasket and outer ring of spray heads;
FIG. 2 is a front elevational view thereof;
FIG. 3 is a rear elevational view thereof;
FIG. 4 is a left side elevational view thereof;
FIG. 5 is a right side elevational view thereof;
FIG. 6 is a top plan view thereof; and,
FIG. 7 is a bottom plan view thereof.

1 Claim, 2 Drawing Sheets



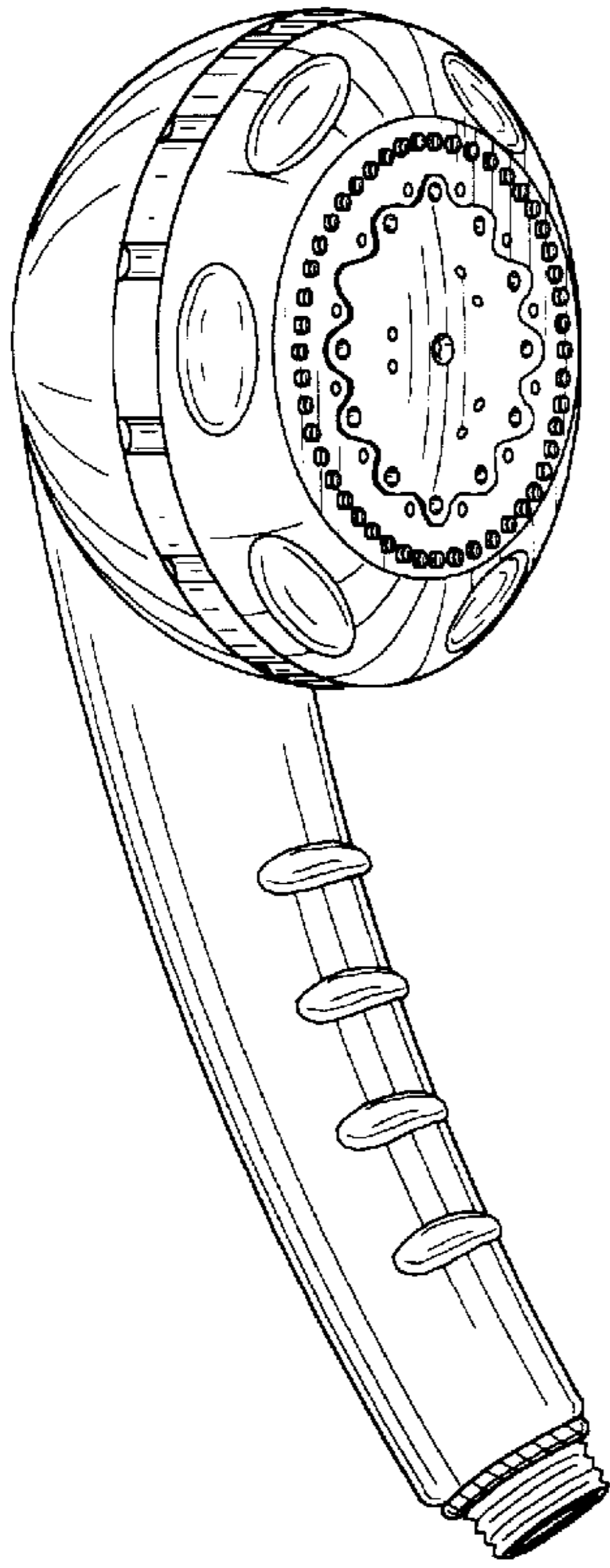


Fig. 1

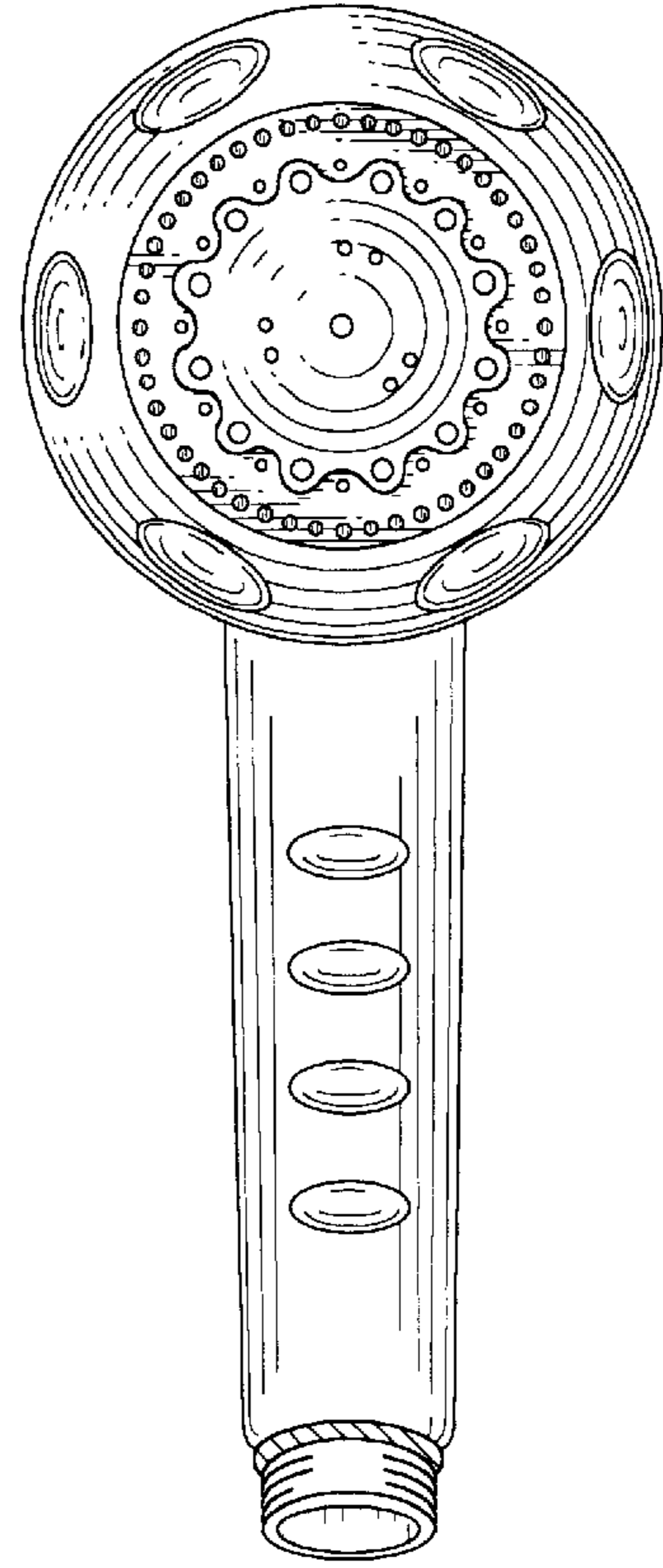


Fig. 2

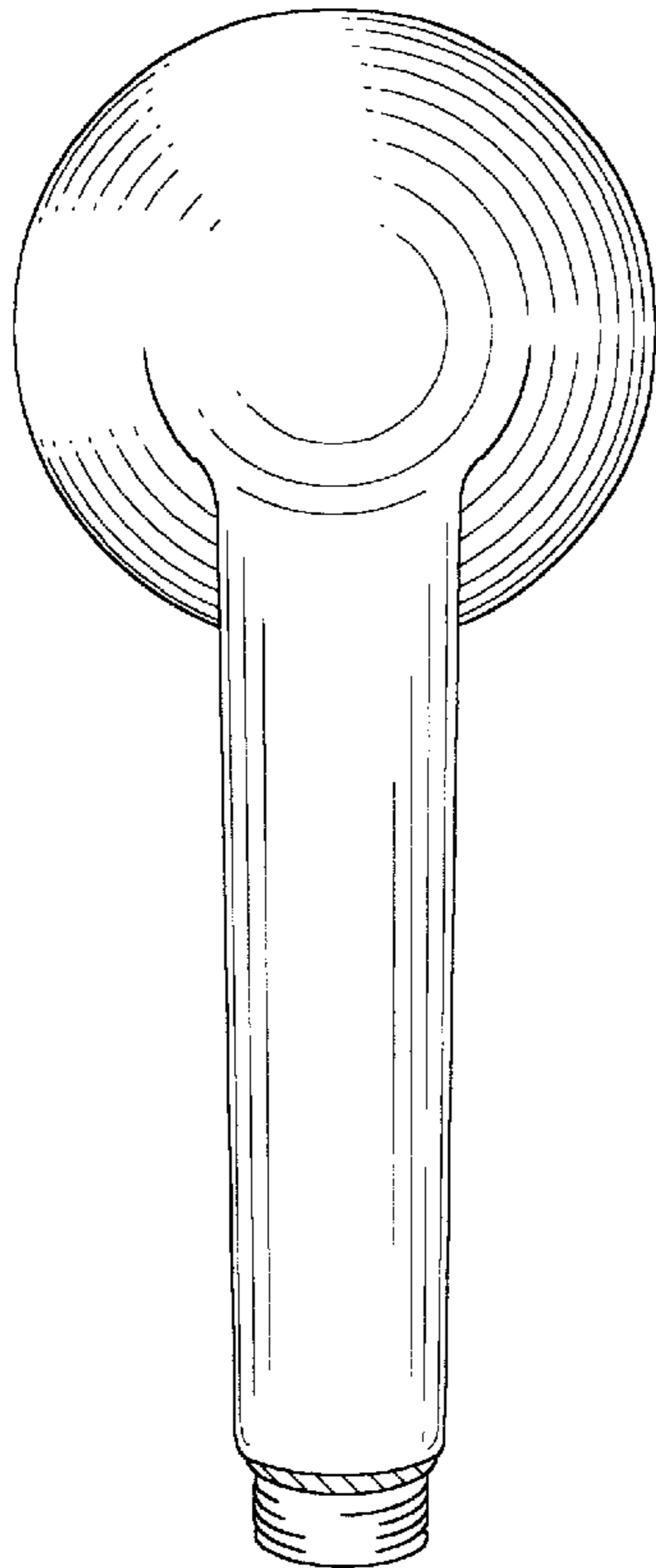


Fig. 3

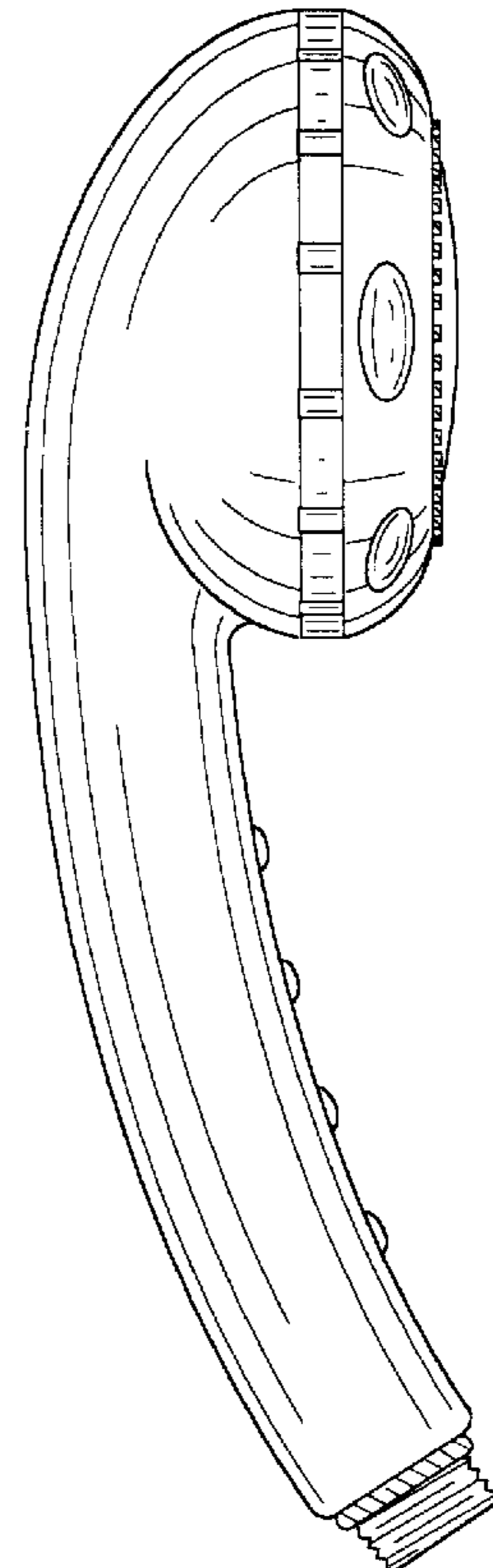


Fig. 4

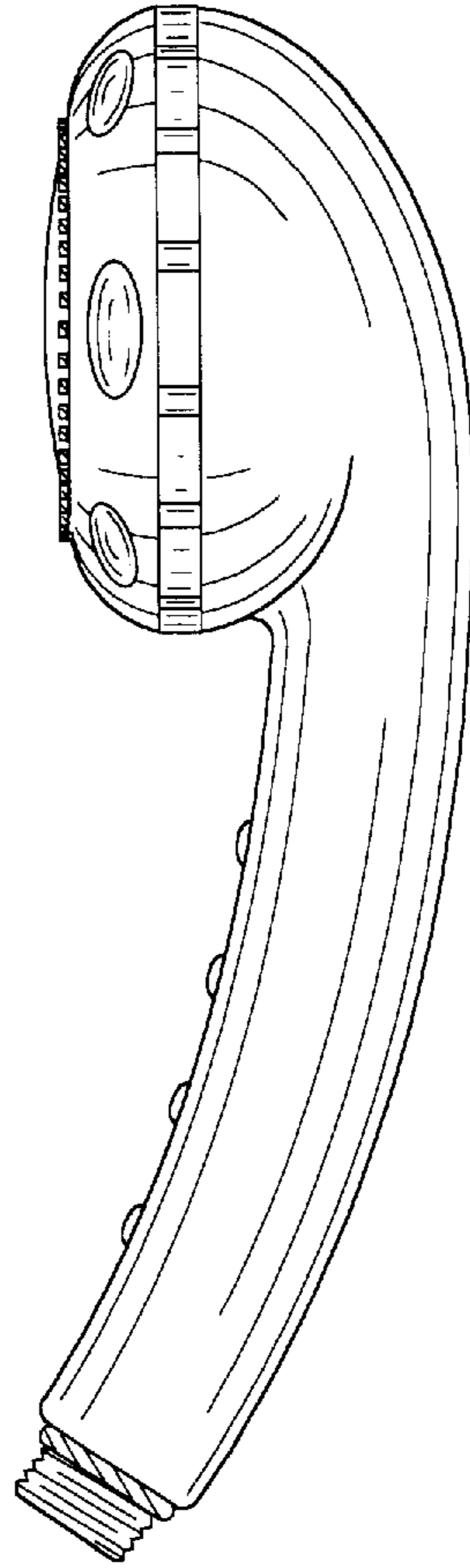


Fig. 5

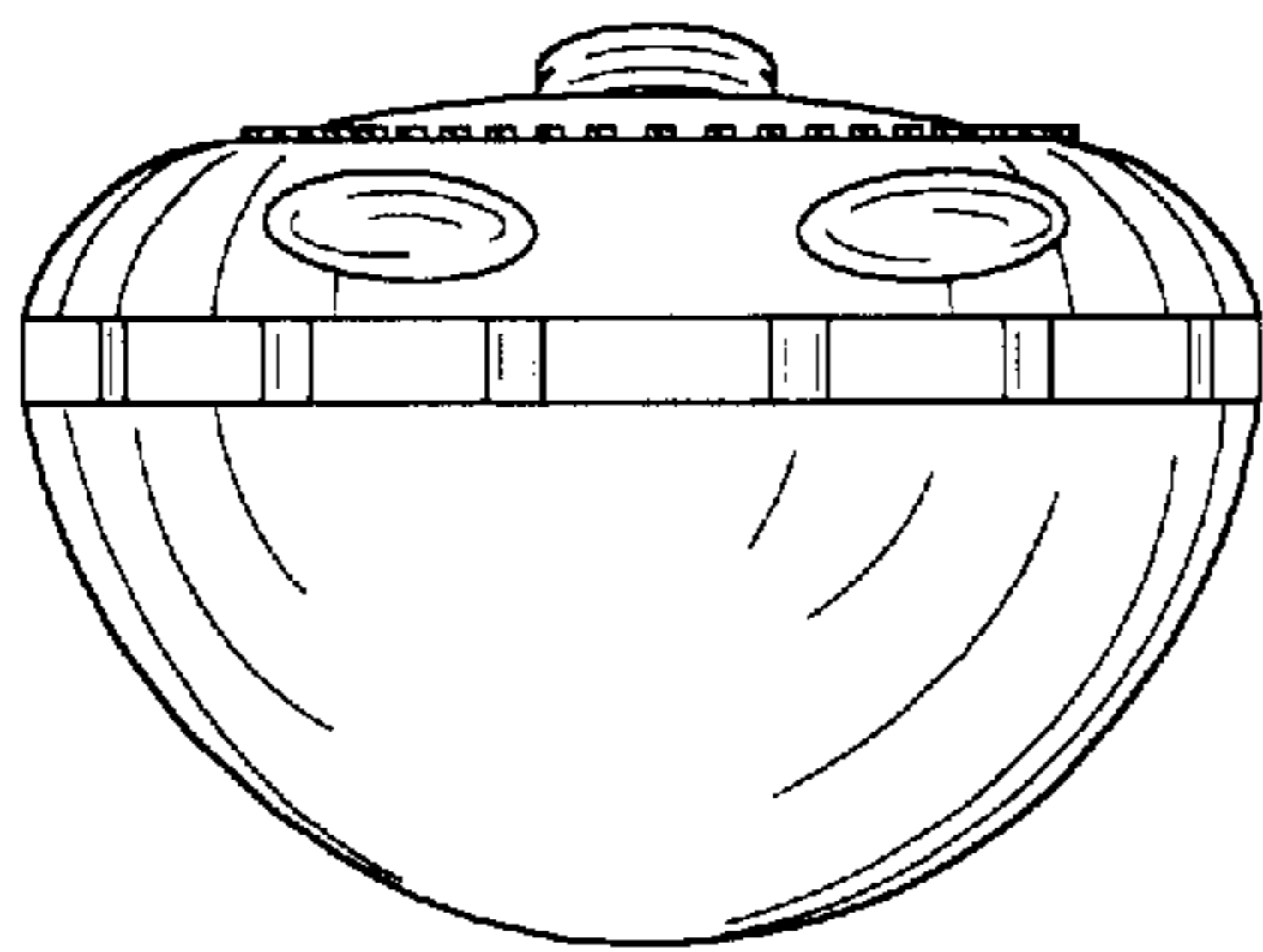


Fig. 6

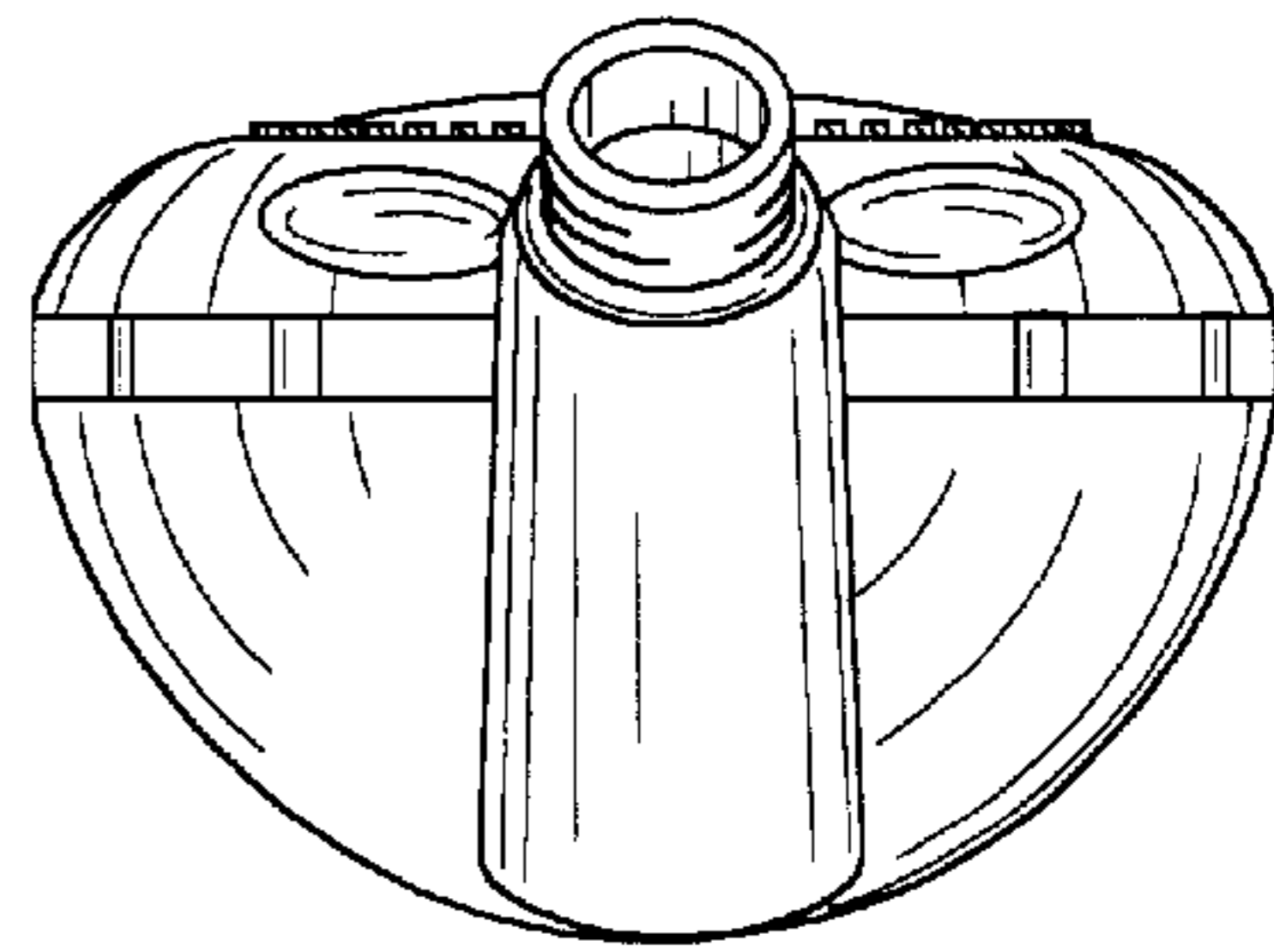


Fig. 7