

US00D405491S

United States Patent [19]
Bizovi

[11] **Patent Number:** **Des. 405,491**

[45] **Date of Patent:** ****Feb. 9, 1999**

[54] **GOLF PUTTER HEAD**

4,960,279 10/1990 Harris, Jr. 473/340

[76] Inventor: **Dan D. Bizovi**, 599 Miller Rd.,
Smithville, Tenn. 37166-2404

Primary Examiner—Ted Shooman
Assistant Examiner—Mitchell I. Siegel
Attorney, Agent, or Firm—John C. Garvin, Jr.

[**] Term: **14 Years**

[57] **CLAIM**

[21] Appl. No.: **87,933**

The ornamental design for a golf putter head, as shown and described.

[22] Filed: **May 12, 1998**

DESCRIPTION

[51] **LOC (6) Cl.** **21-02**

[52] **U.S. Cl.** **D21/744; D21/738**

[58] **Field of Search** **D21/736-746;**
473/251-256, 340, 341

FIG. 1 is an isometric view of a golf putter head showing my new design with a portion of its shaft shown in phantom; FIG. 2 is a top plan view; FIG. 3 is a front plan view; FIG. 4 is a rear plan view; and, FIG. 5 is a side elevational view thereof.

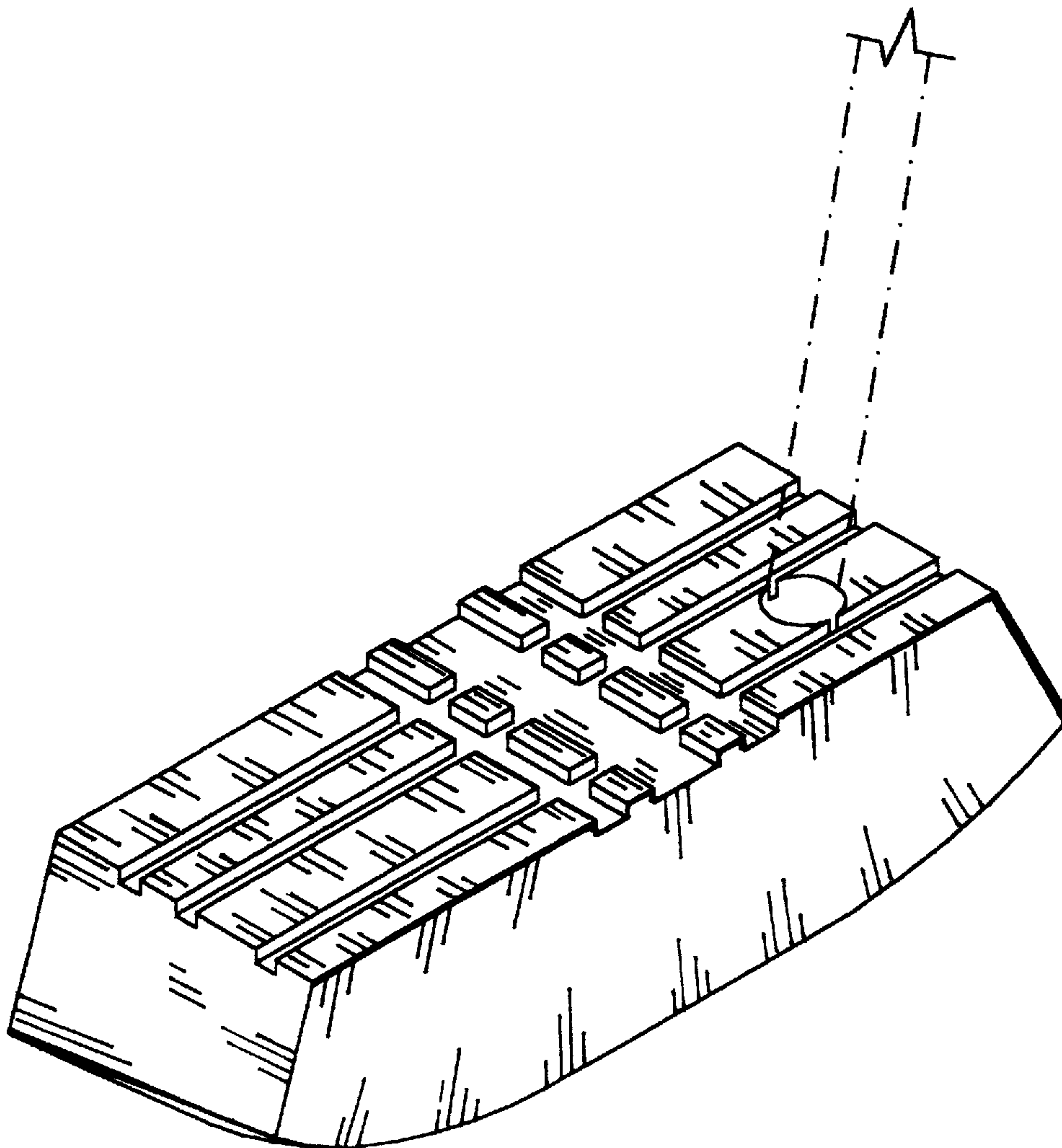
[56] **References Cited**

U.S. PATENT DOCUMENTS

D. 193,897	10/1962	Vachon	D21/738
D. 213,055	12/1968	Karban, Jr.	D21/738
D. 247,585	3/1978	Duclos	D21/744
D. 325,949	5/1992	Harris, Jr.	D21/741
3,997,170	12/1976	Goldberg	473/327

The broken line showing of a fragmented shaft is for illustrative purposes only and forms no part of the claimed design.

1 Claim, 1 Drawing Sheet



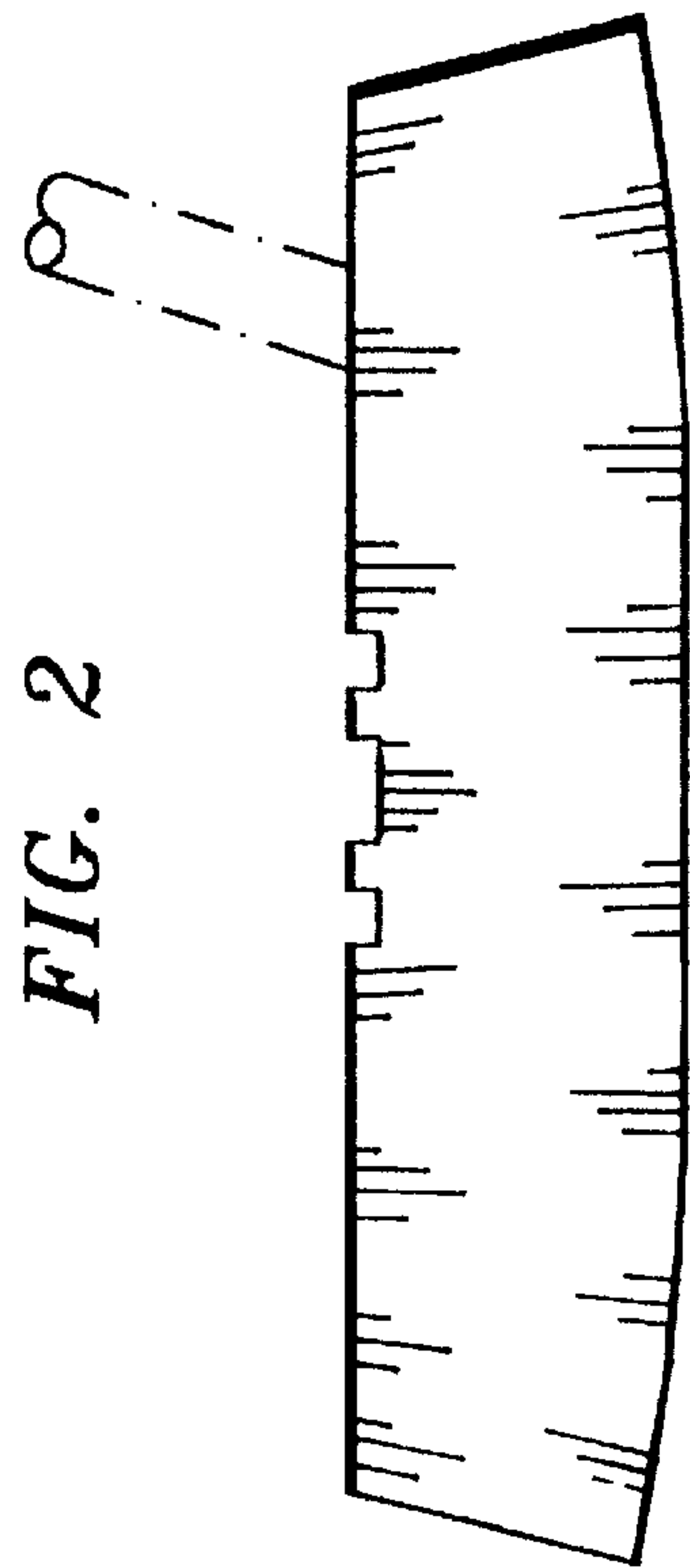
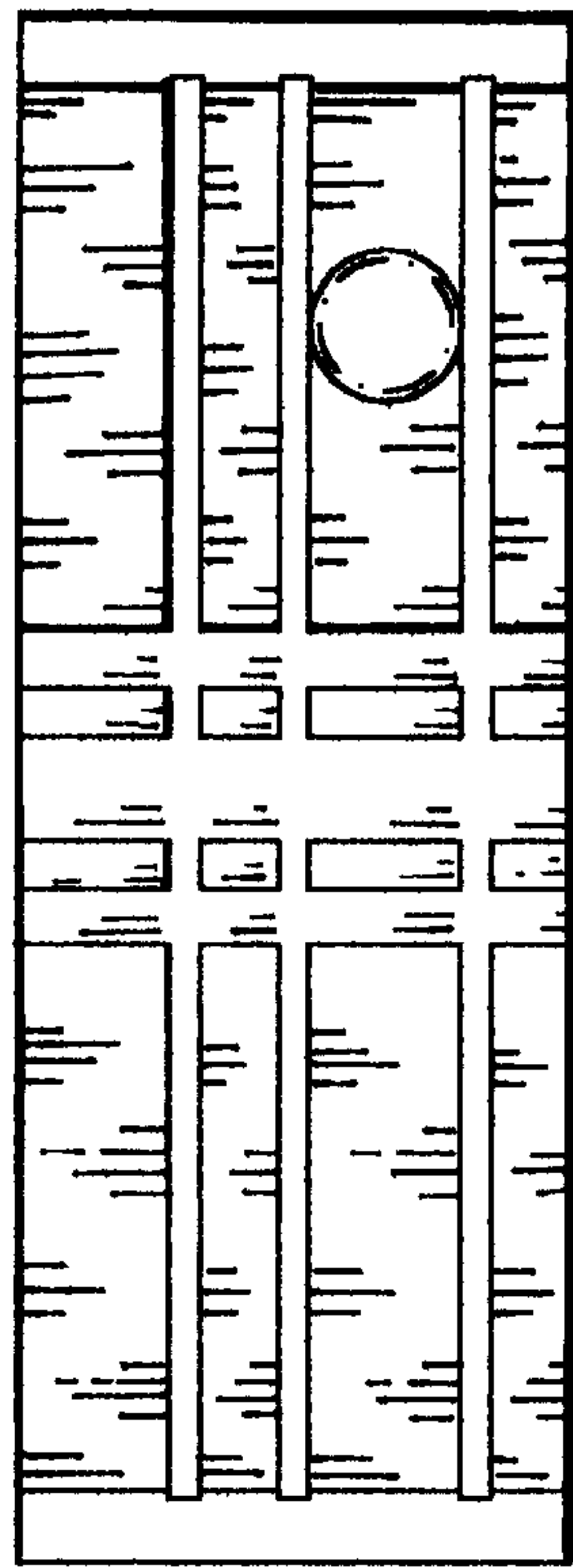
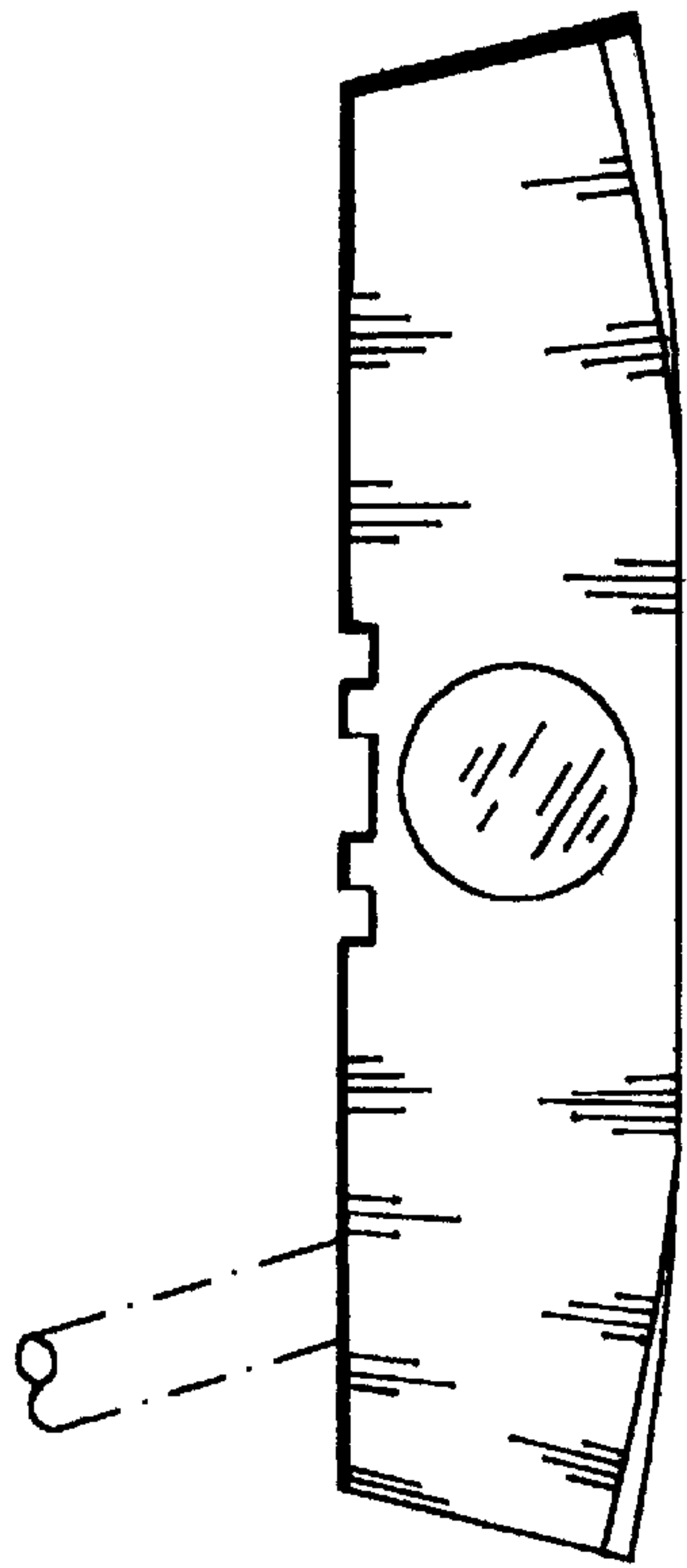
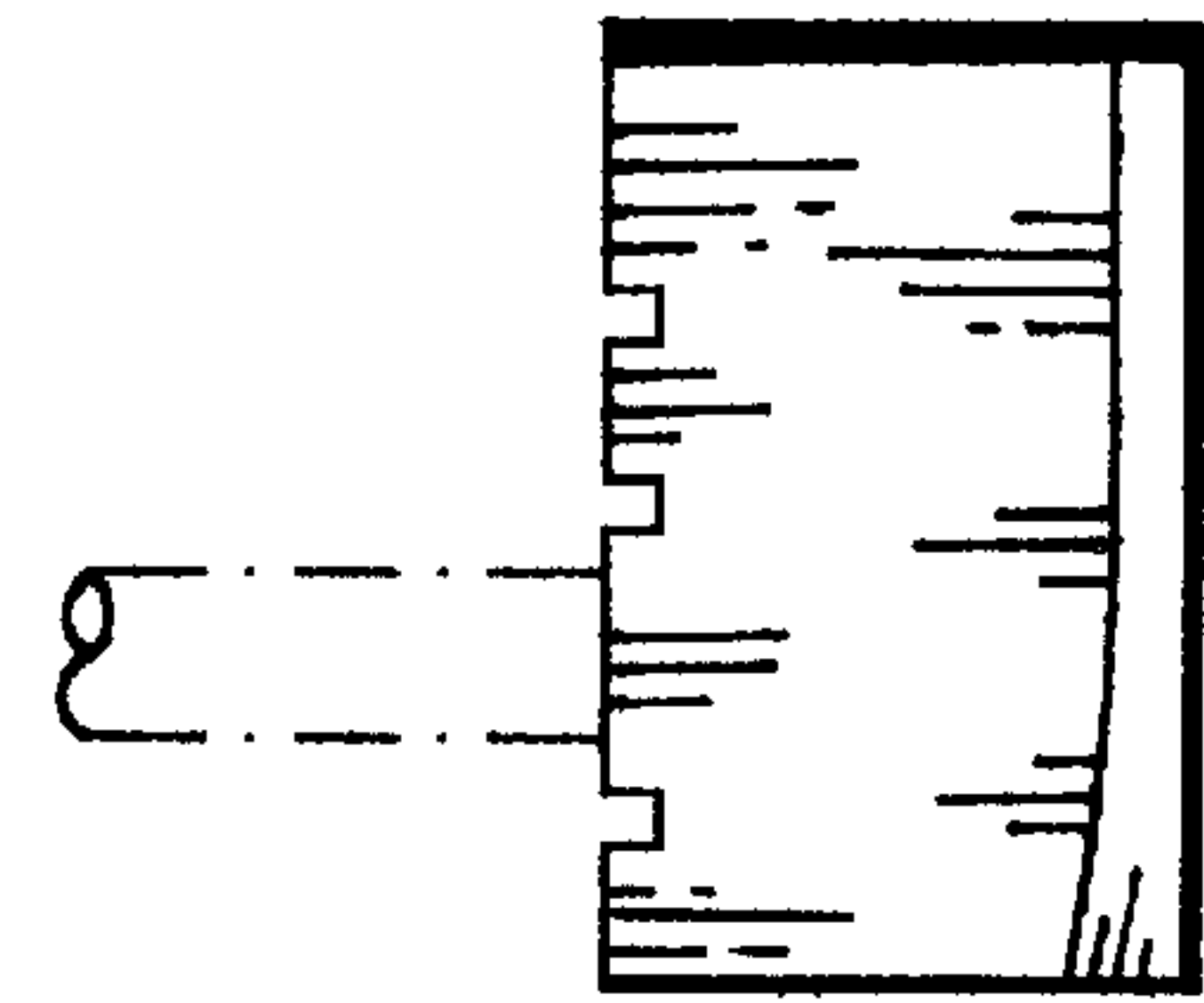
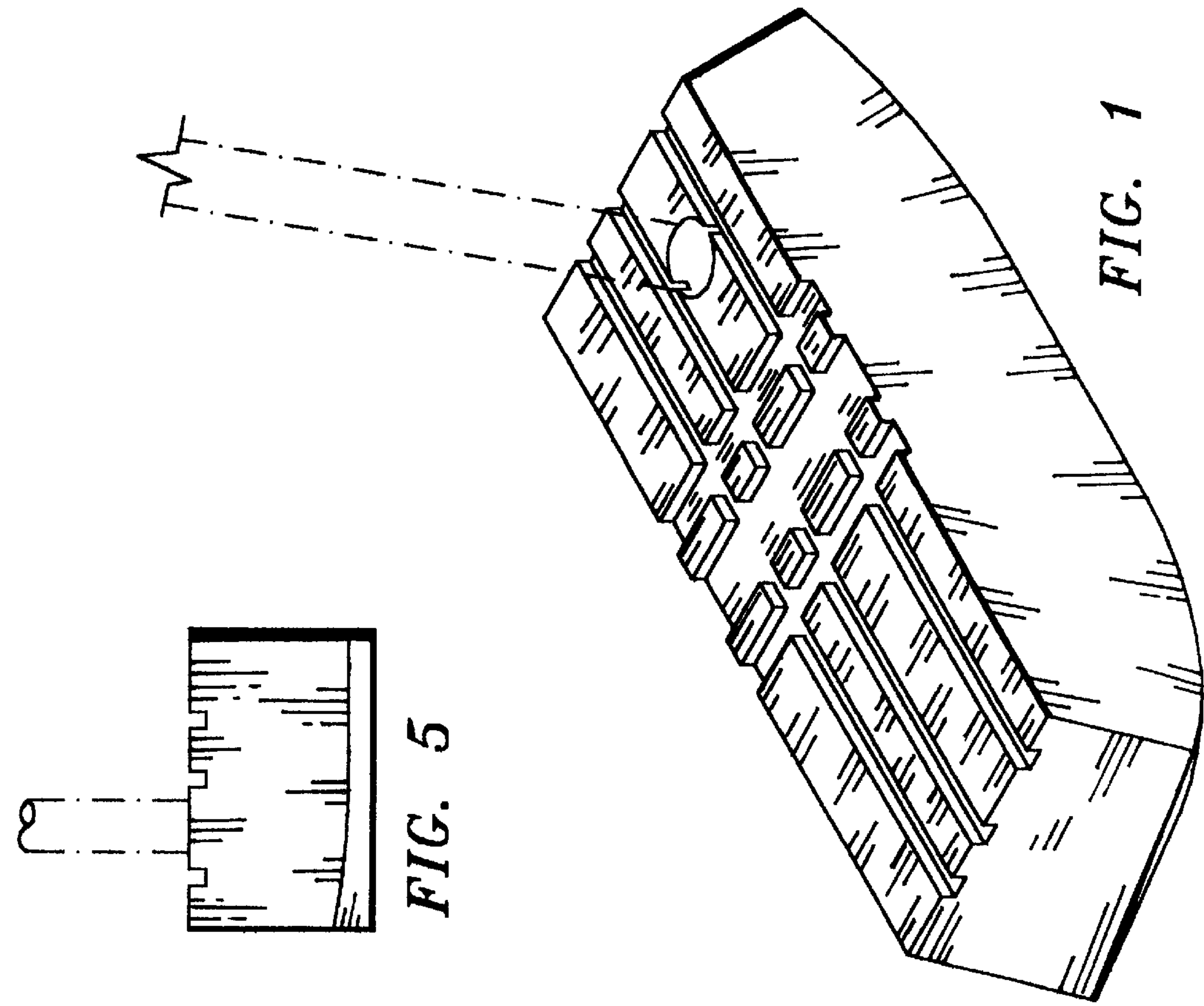


FIG. 3