



US00D405488S

United States Patent [19]

Burrows

[11] Patent Number: **Des. 405,488**

[45] Date of Patent: ****Feb. 9, 1999**

[54] **WOOD-TYPE HEAD FOR A GOLF CLUB**

[76] Inventor: **Bruce D. Burrows**, 25555 W. Avenue
Stanford, Valencia, Calif. 91352-1101

[**] Term: **14 Years**

[21] Appl. No.: **77,695**

[22] Filed: **Oct. 9, 1997**

[51] **LOC (6) Cl.** **21-02**

[52] **U.S. Cl.** **D21/733**

[58] **Field of Search** D21/214; 473/324,
473/327, 328, 345, 346

[56] **References Cited**

U.S. PATENT DOCUMENTS

| | | | |
|------------|---------|------------------------|---------|
| D. 378,111 | 2/1997 | Parente et al. | D21/214 |
| D. 384,120 | 9/1997 | De La Cruz et al. | D21/214 |
| D. 385,003 | 10/1997 | Burrows | D21/214 |
| D. 390,294 | 2/1998 | Burrows | D21/214 |
| D. 390,295 | 2/1998 | Burrows | D21/214 |
| D. 392,354 | 3/1998 | Burrows | D21/214 |
| 4,432,549 | 2/1984 | Zebelean . | |

Primary Examiner—Philip S. Hyder
Assistant Examiner—Mitchell I. Siegel
Attorney, Agent, or Firm—Kelly Bauersfeld Lowry & Kelley, LLP

[57] **CLAIM**

The ornamental design for a wood-type head for a golf club, as shown.

DESCRIPTION

FIG. 1 is a perspective view showing the front and top sides of a wood-type head for a golf club embodying the new design;

FIG. 2 is a front elevational view thereof;

FIG. 3 is a rear elevational view thereof;

FIG. 4 is a top plan view thereof;

FIG. 5 is a bottom plan view thereof;

FIG. 6 is a left side elevational view thereof;

FIG. 7 is a right side elevational view thereof; and,

FIG. 8 is an enlarged fragmented sectional view taken on the line 8—8 of FIG. 4.

1 Claim, 4 Drawing Sheets

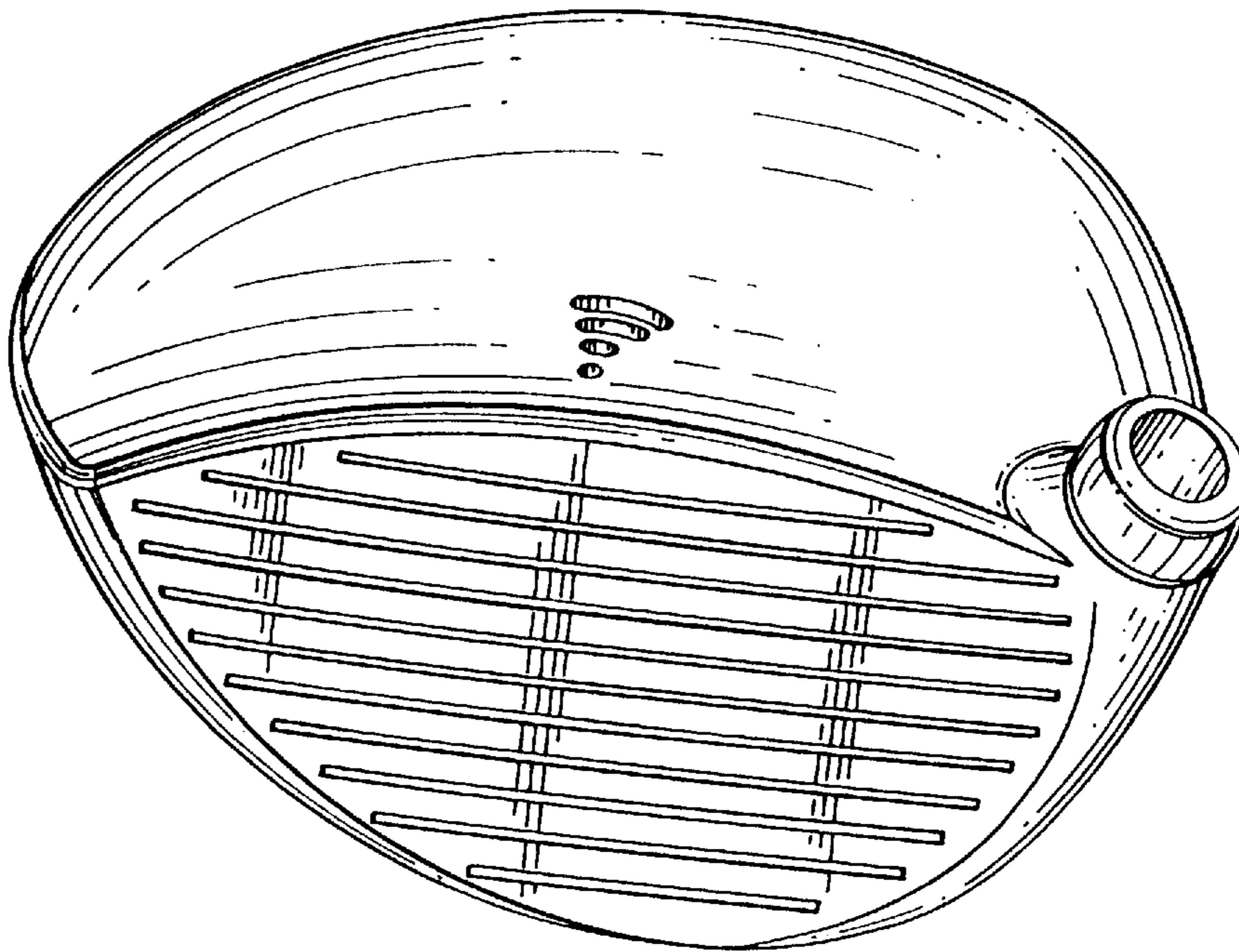


FIG. 1

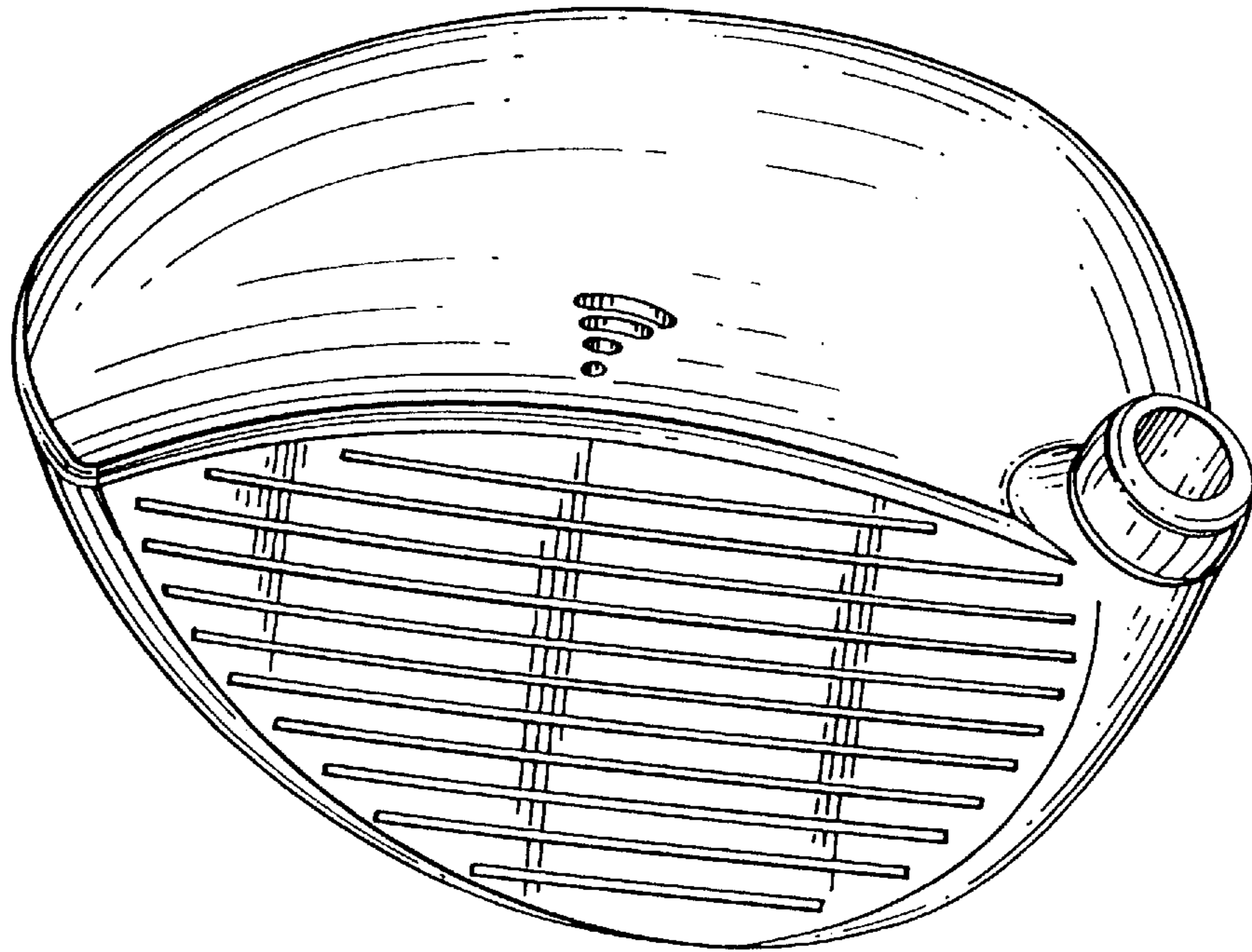


FIG. 2

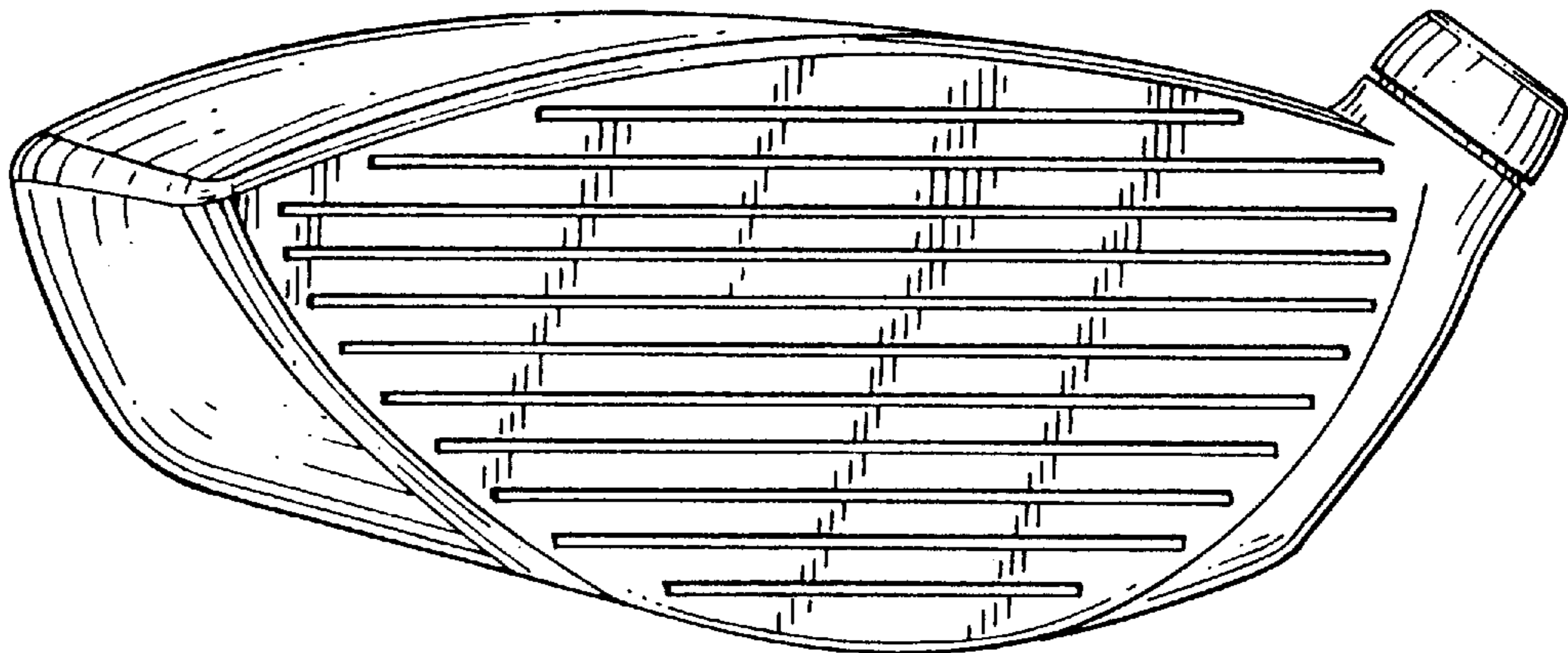


FIG. 3

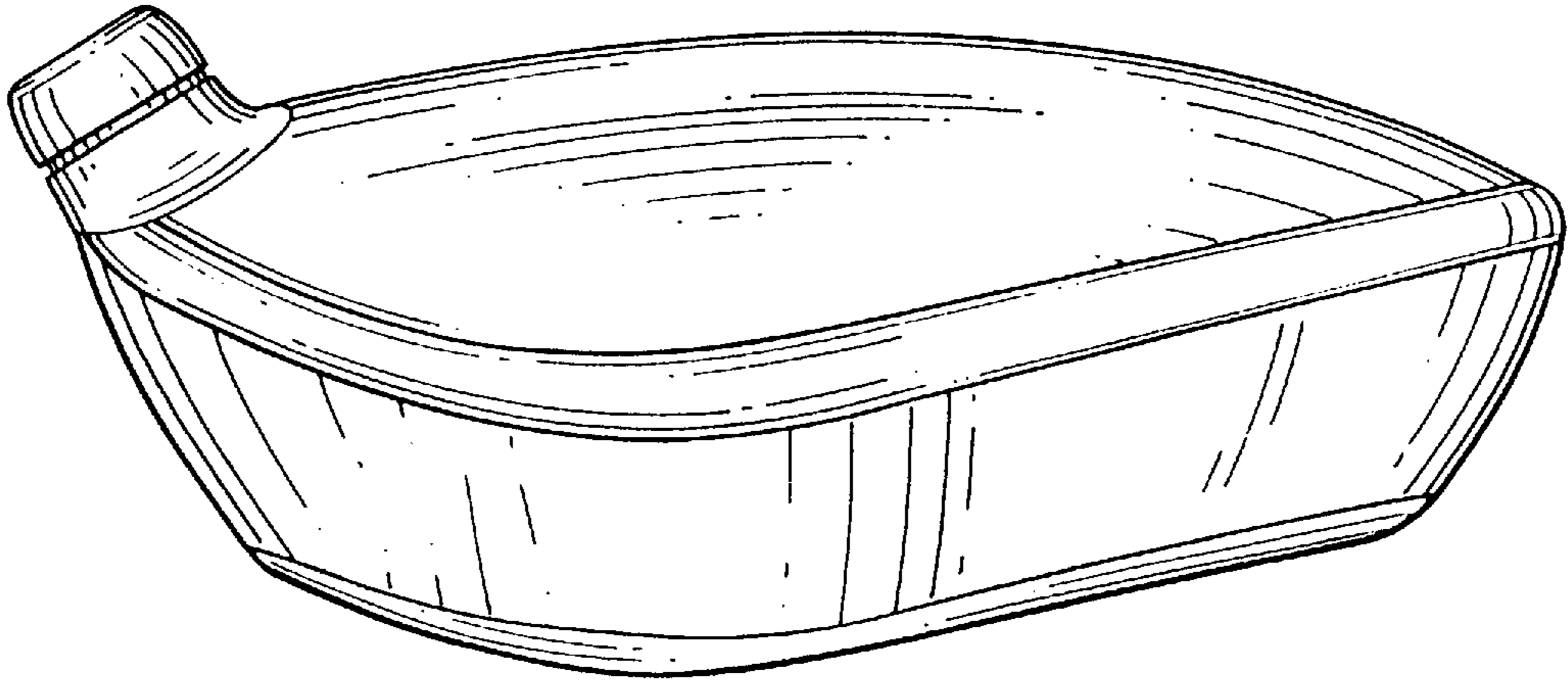


FIG. 4

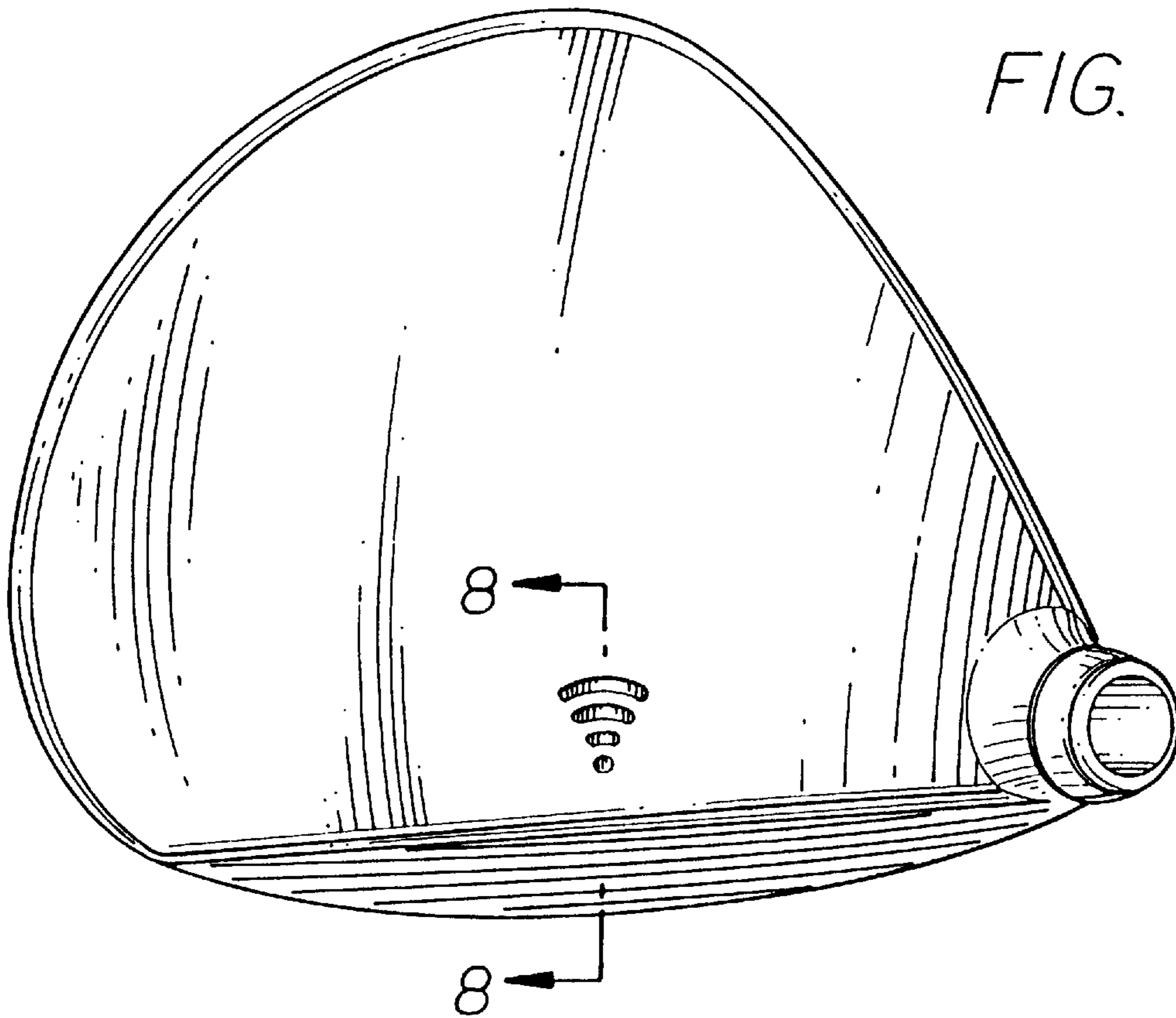


FIG. 5

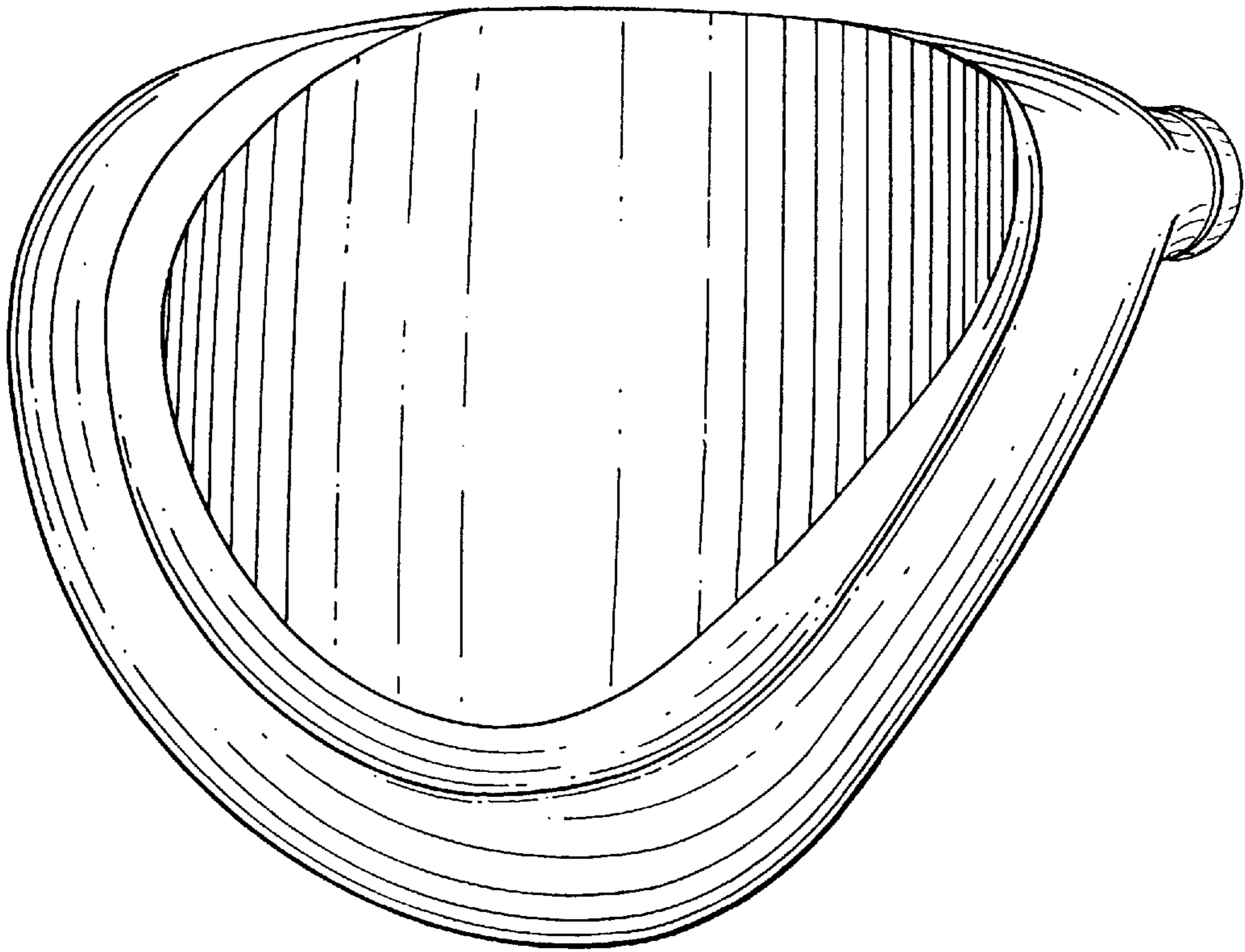


FIG. 6

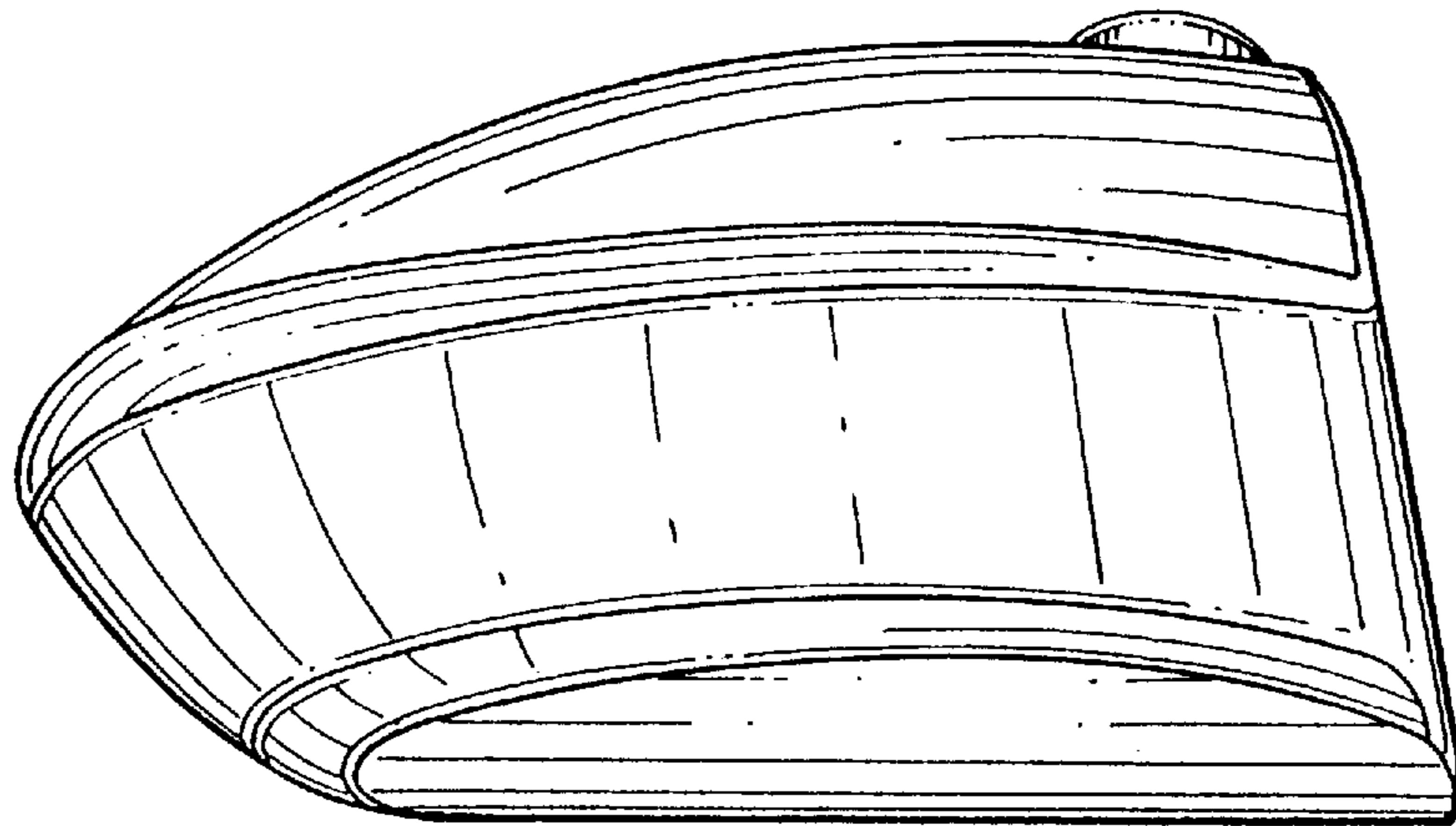


FIG. 7

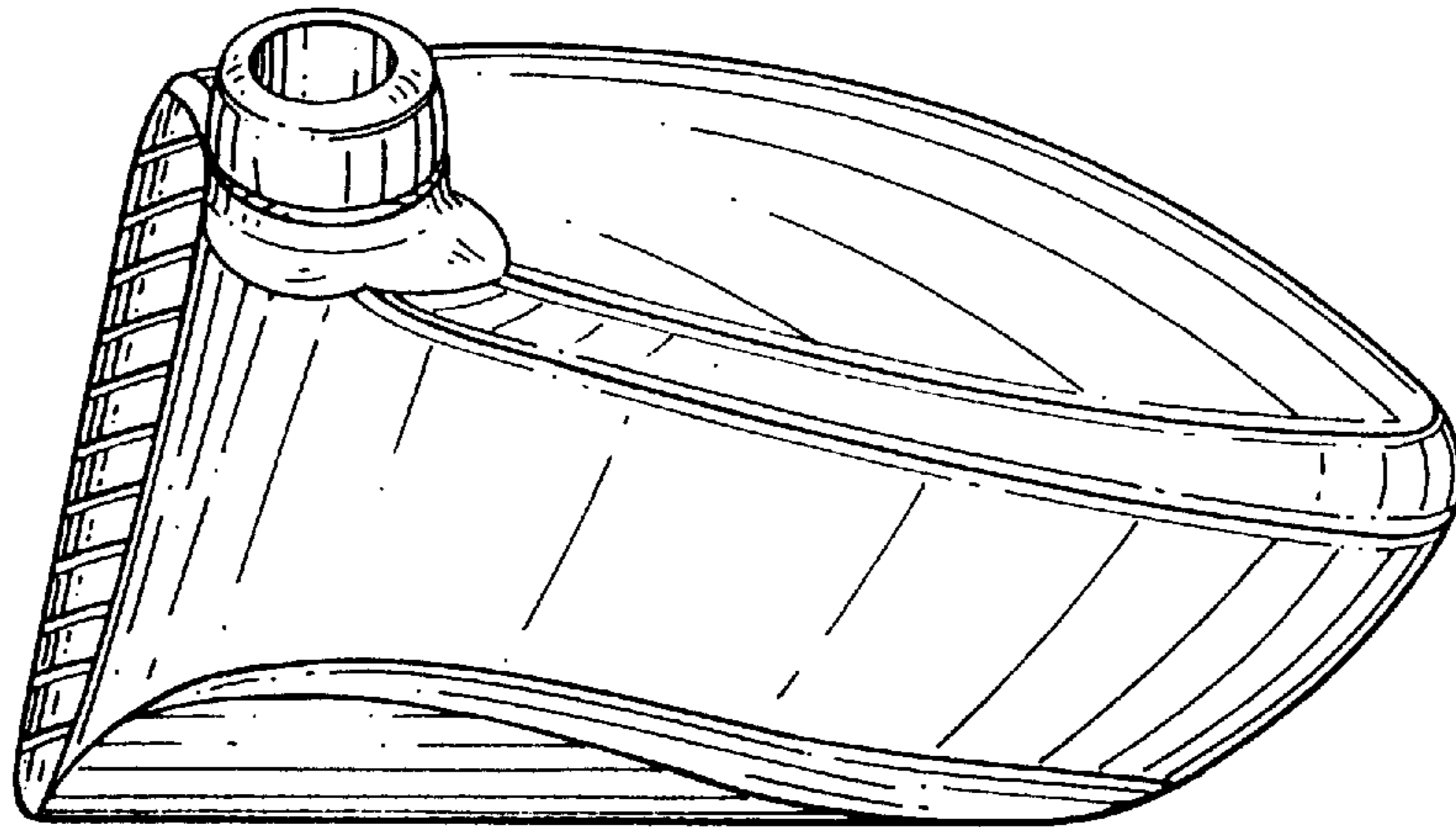


FIG. 8

