



US00D405484S

United States Patent [19]
Rojas et al.

[11] **Patent Number: Des. 405,484**
[45] **Date of Patent: **Feb. 9, 1999**

[54] **HANDLE FOR A DUMBBELL**
[75] Inventors: **Michael D. Rojas**, Tustin; **Scott J. Frasco**, Huntington Beach, both of Calif.
[73] Assignee: **Iron Grip Barbell Company, Inc.**, Fountain Valley, Calif.
[**] Term: **14 Years**
[21] Appl. No.: **59,671**
[22] Filed: **Jul. 18, 1996**
[51] **LOC (6) Cl.** **21-02**
[52] **U.S. Cl.** **D21/681; D21/682**
[58] **Field of Search** D25/120, 121, D25/122, 126; D21/191, 196, 197, 198; 482/106, 107, 108

4,854,575 8/1989 Wilson et al. 482/108
4,880,229 11/1989 Broussard 482/106
5,137,502 8/1992 Anastasi 482/106
5,573,484 11/1996 Carpenter 482/108

OTHER PUBLICATIONS

Bethlehem Steel Co. Catalog, Carbon Steel Bar and Special Sections Catalog, 1937.
Bodybuilding: The Weider Approach, pp. 177 & 30, 1981, dumbbells on p. 177.
Muscle & Fitness Magazine, Sep. 1992, p. 263—dumbbells at top left corner.

Primary Examiner—Philip S. Hyder
Attorney, Agent, or Firm—Darby & Darby

[57] **CLAIM**

The ornamental design for a handle for a dumbbell, as shown and described.

DESCRIPTION

FIG. 1 is a perspective view of a handle for a dumbbell showing my new design;
FIG. 2 is a front view thereof;
FIG. 3 is a top view thereof;
FIG. 4 is a left side view thereof, the right side view being a mirror image thereof; and,
FIG. 5 is a cross-sectional view taken along lines 5—5 of FIG. 3 and looking in the direction of the arrows.
The broken line portions of the drawing disclosure are for illustrative purposes only and form no part of the claimed design.

[56] **References Cited**
U.S. PATENT DOCUMENTS
D. 194,042 11/1962 Guthormsen D21/196
D. 278,358 4/1985 Zwilling D21/196
D. 309,763 8/1990 Solloway D21/197
D. 355,007 1/1995 Rojas et al. D21/197
D. 377,202 1/1997 Rohan D21/198
3,226,117 12/1965 Walklet 482/106
3,771,785 11/1973 Speyer 482/106
4,311,306 1/1982 Solloway 482/108
4,455,020 6/1984 Schnell .
4,482,151 11/1984 Zwilling 482/106
4,817,944 4/1989 Anderson et al. 482/106
4,828,256 5/1989 Lee 482/108

1 Claim, 2 Drawing Sheets

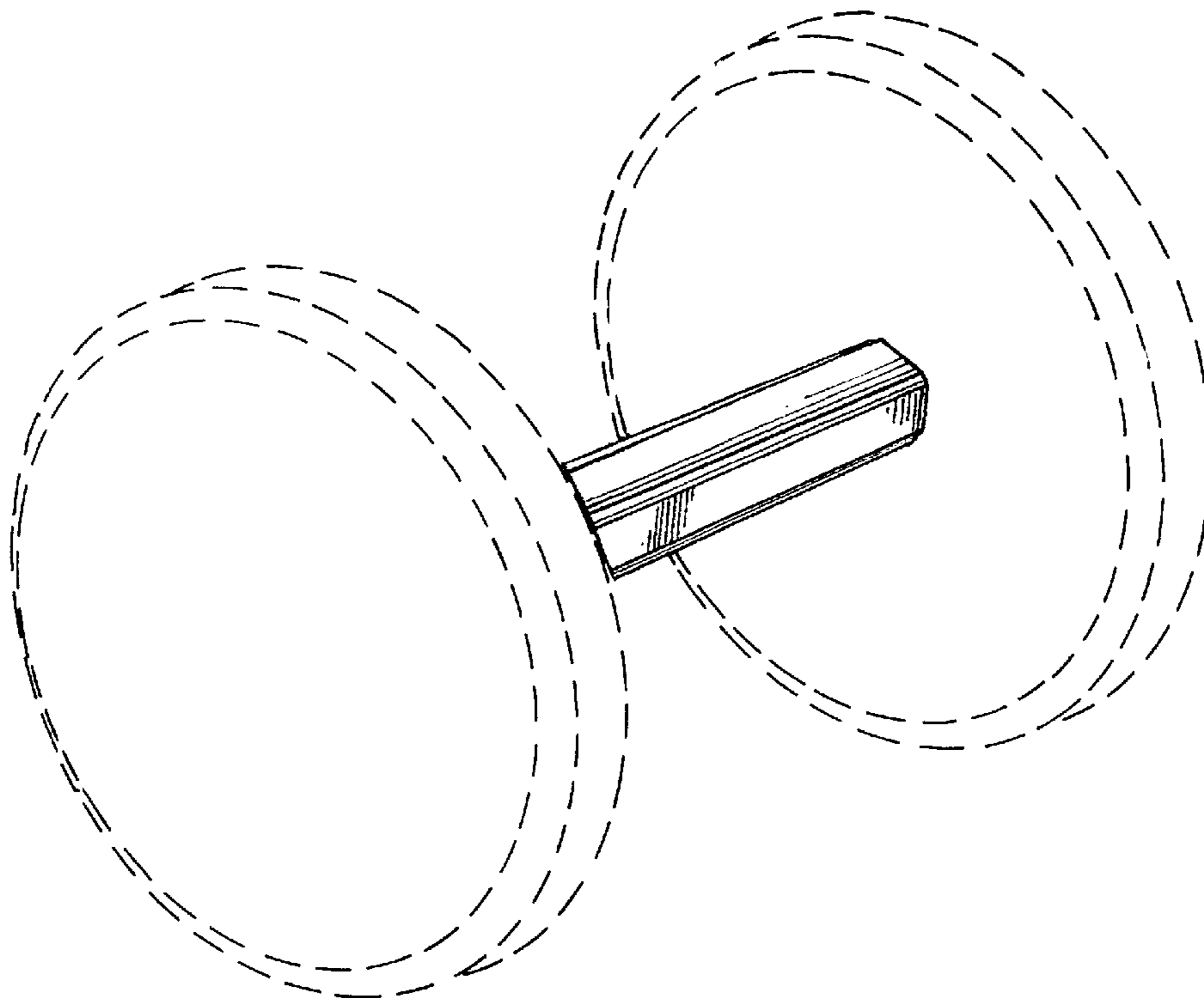


FIG. 1

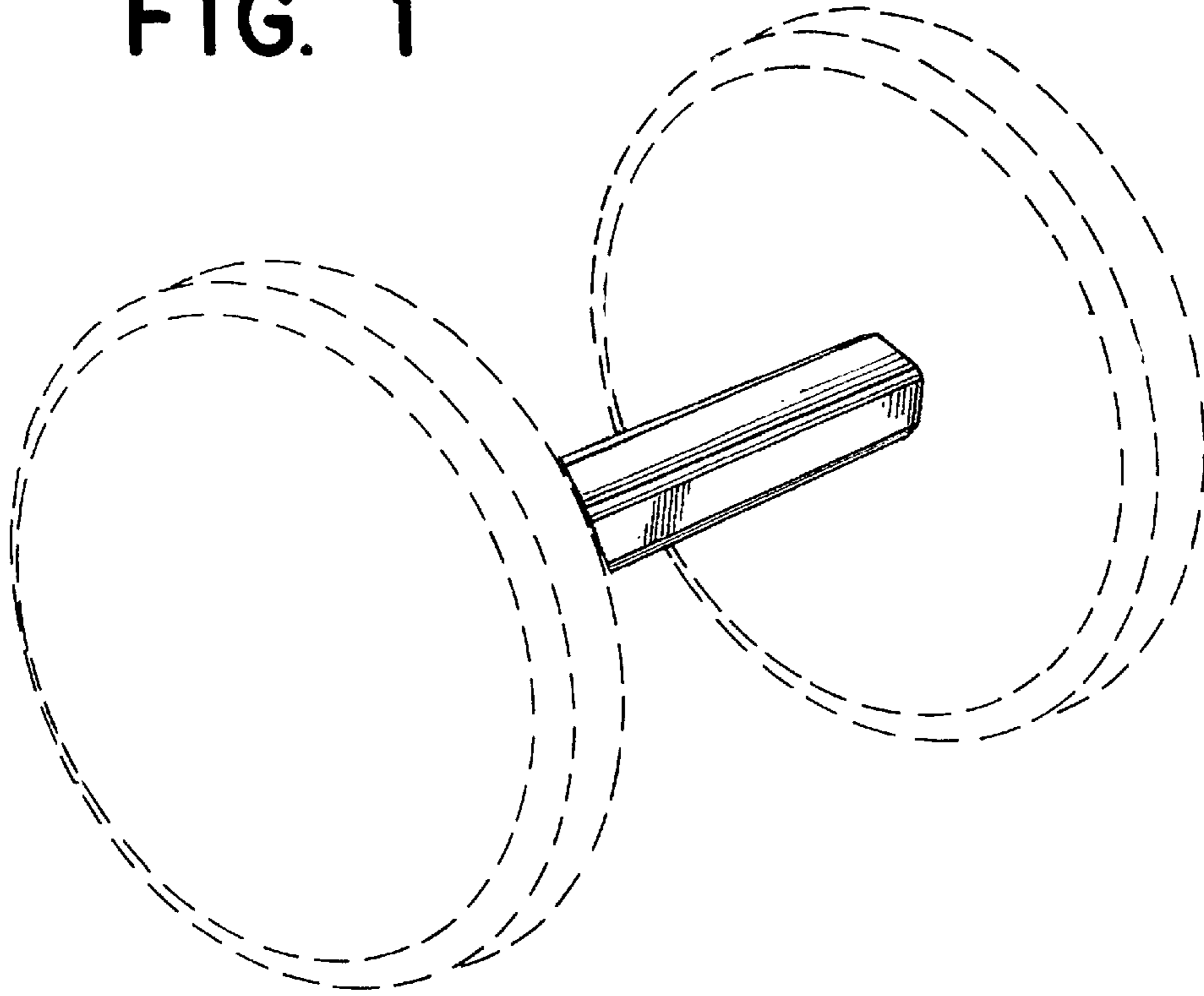


FIG. 2

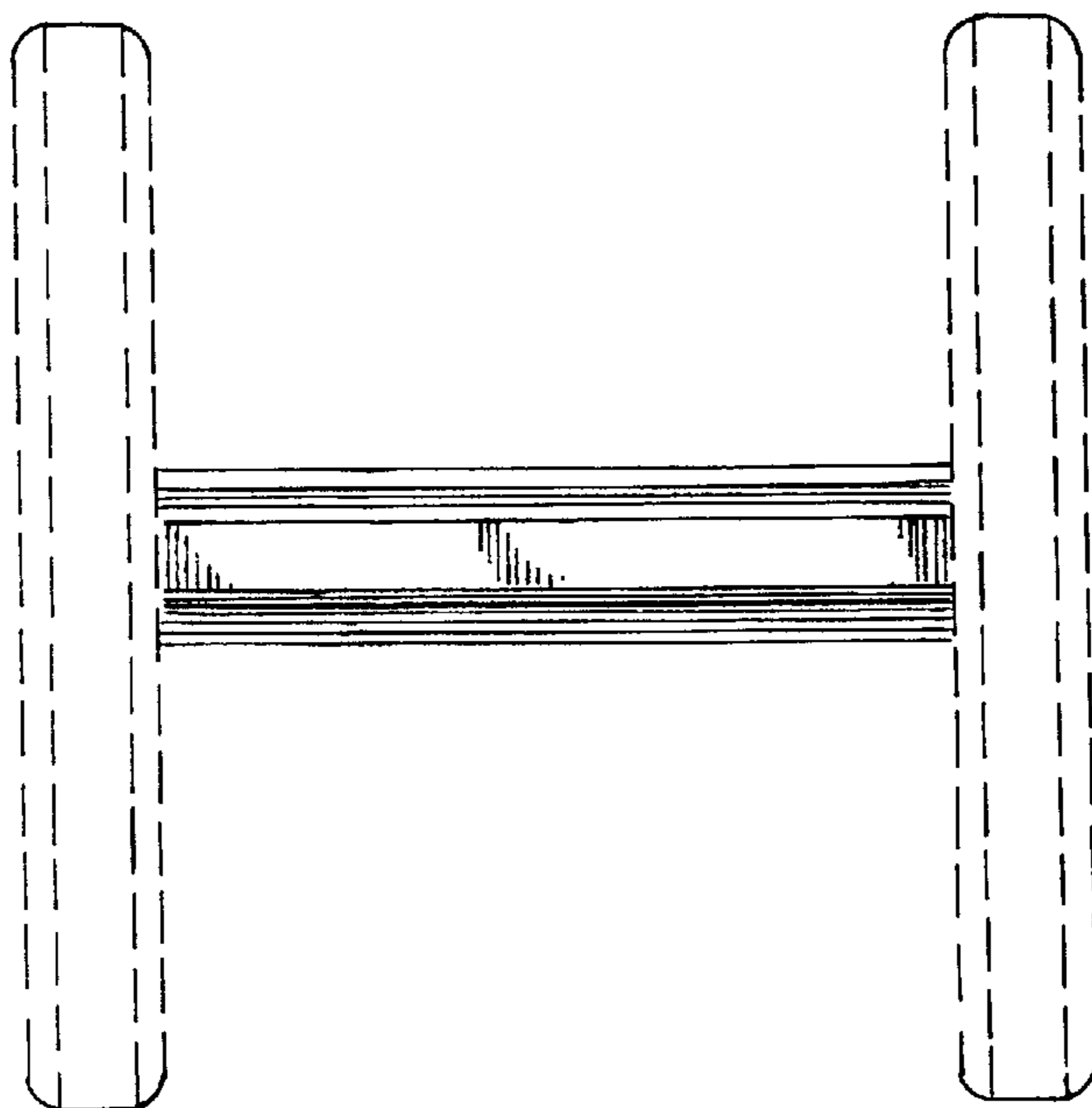


FIG. 3

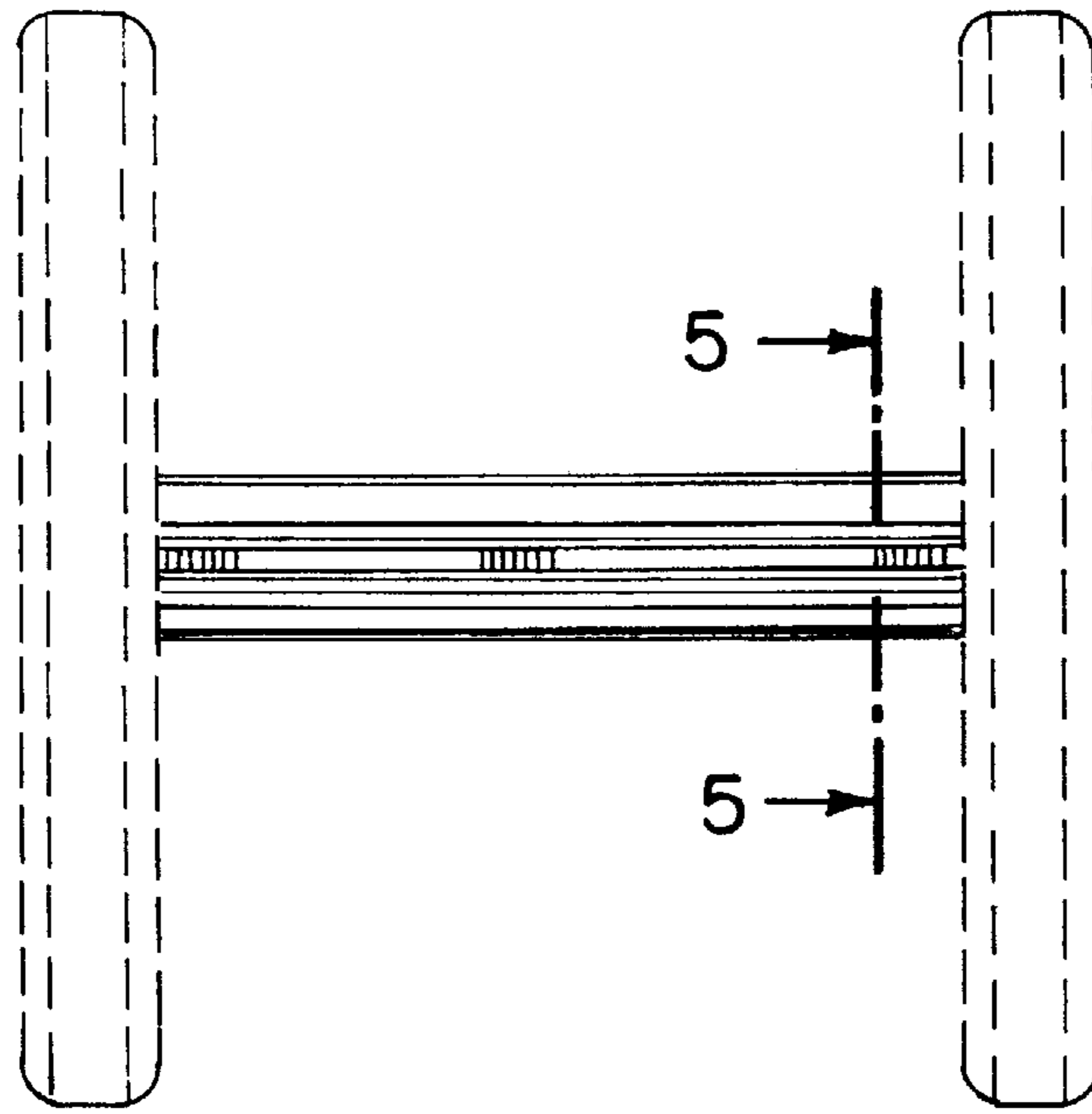


FIG. 4

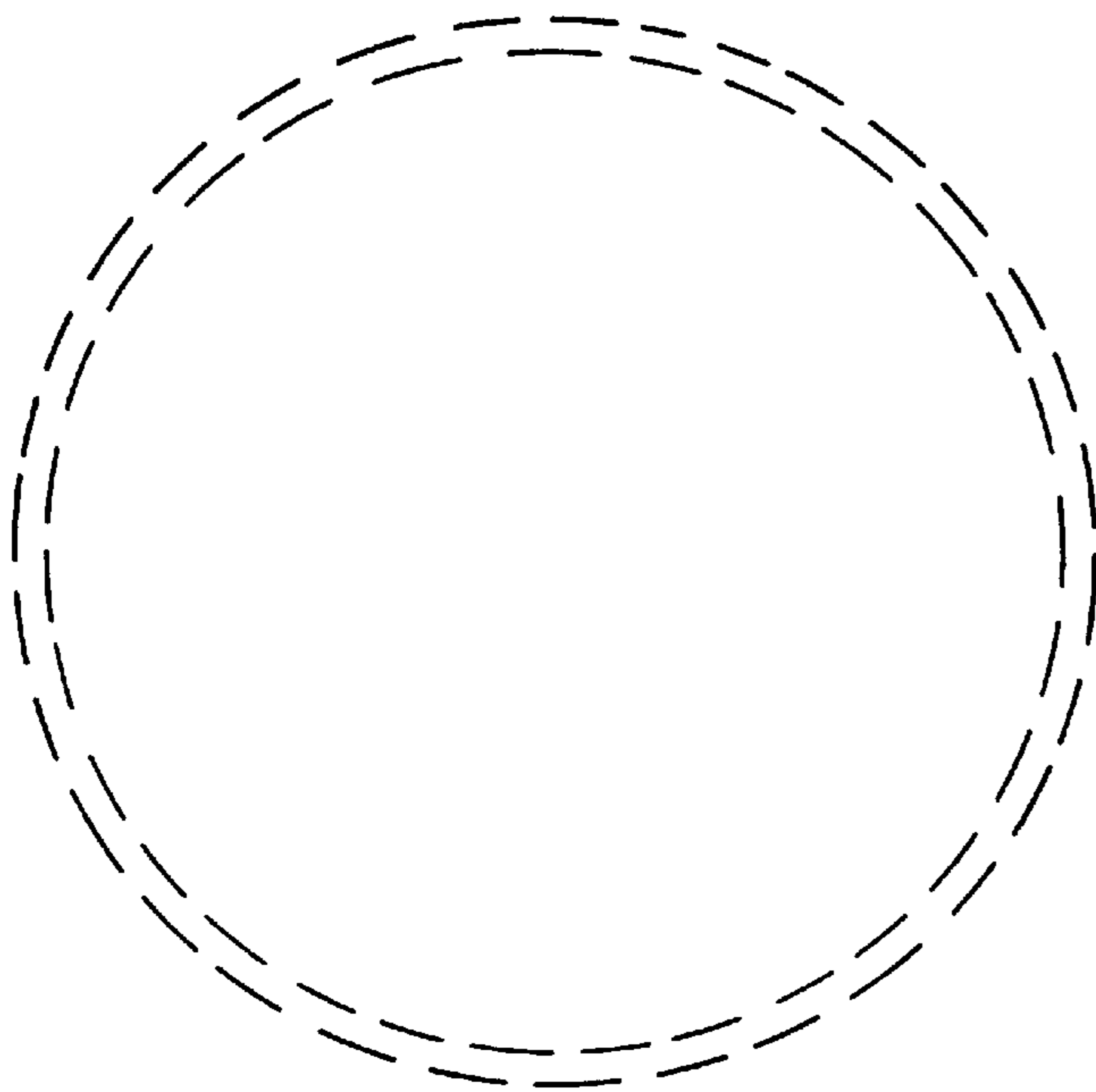
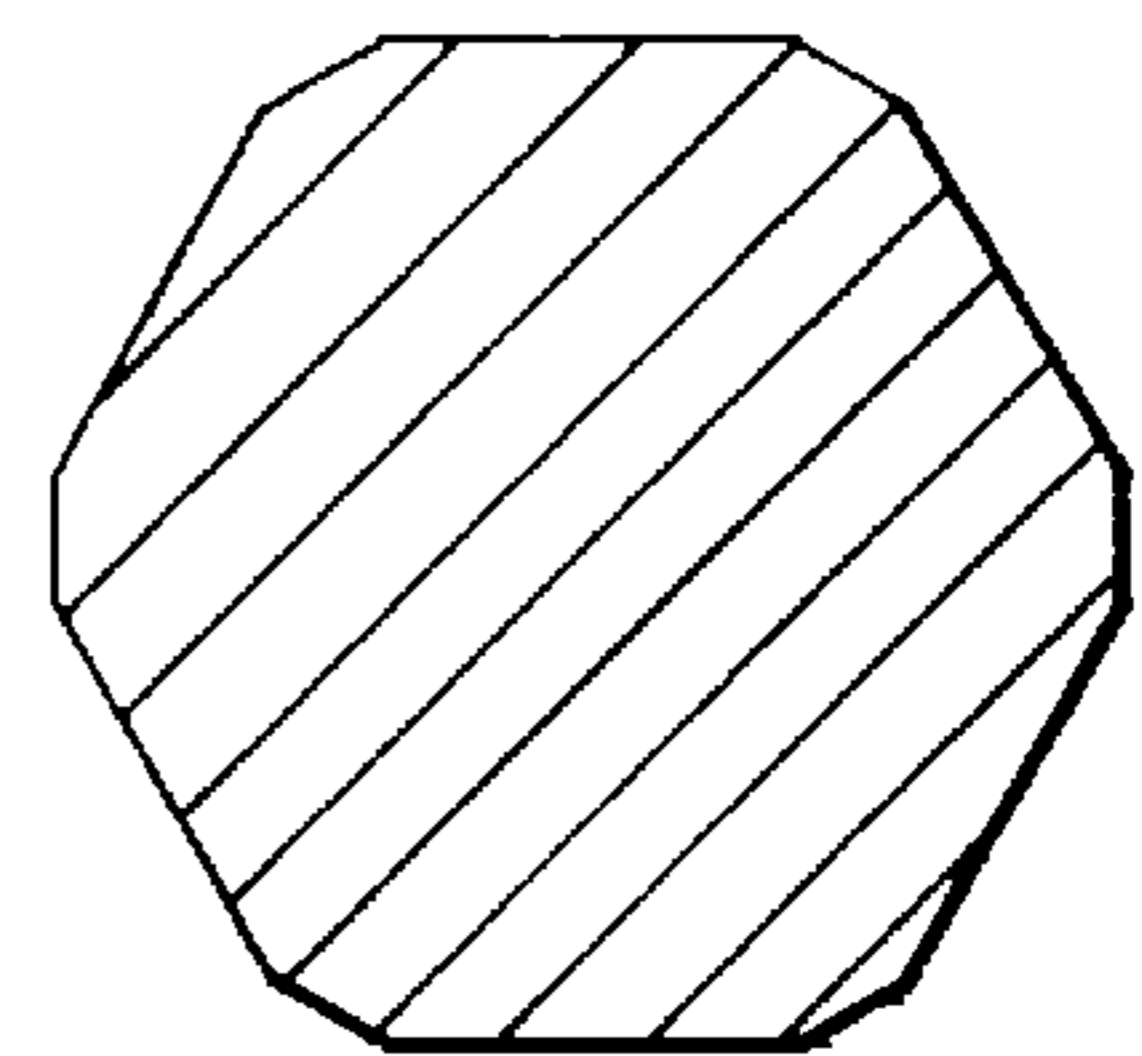


FIG. 5



UNITED STATES PATENT AND TRADEMARK OFFICE
CERTIFICATE OF CORRECTION

PATENT NO. : D 405,484
DATED : February 9, 1999
INVENTOR(S) : Michael D. ROJAS and Scott J. FRASCO

It is certified that error appears in the above-identified patent and that said Letters Patent is hereby corrected as shown below:

On the title page, Item [22],

The filing date of the Patent should be
-- 7/8/96 -- not -- "7/18/96"

Signed and Sealed this
Twentieth Day of July, 1999

Attest:



Q. TODD DICKINSON

Attesting Officer

Acting Commissioner of Patents and Trademarks