



US00D405480S

**United States Patent** [19]  
**Yamazaki**

[11] **Patent Number: Des. 405,480**

[45] **Date of Patent: \*\*Feb. 9, 1999**

[54] **COG SPINNING TOY**

[75] **Inventor: Tomohiro Yamazaki, Tokyo, Japan**

[73] **Assignee: Tomy Company, Ltd., Tokyo, Japan**

[\*\*] **Term: 14 Years**

[21] **Appl. No.: 85,956**

[22] **Filed: Apr. 2, 1998**

[30] **Foreign Application Priority Data**

Oct. 3, 1997 [JP] Japan ..... 9-70271

[51] **LOC (6) Cl. .... 21-01**

[52] **U.S. Cl. .... D21/475**

[58] **Field of Search ..... D21/398, 468,  
D21/475; D19/59, 62; 434/85, 86, 90; 446/146,  
147, 227**

[56] **References Cited**

**U.S. PATENT DOCUMENTS**

D. 187,218 2/1960 McHugh ..... D21/475

D. 266,682	10/1982	Airlie .....	D21/475
D. 284,293	6/1986	Thomson et al. ....	D21/475
D. 288,943	3/1987	Kroll .....	D21/475
D. 302,187	7/1989	Kato .....	D21/475
D. 327,713	7/1992	Thomson et al. ....	D21/475
D. 349,300	8/1994	Lau .....	D19/62
D. 370,942	6/1996	Arad et al. ....	D21/475
D. 371,810	7/1996	Arad et al. ....	D21/475

*Primary Examiner*—Dominic Simone  
*Attorney, Agent, or Firm*—Staas & Halsey

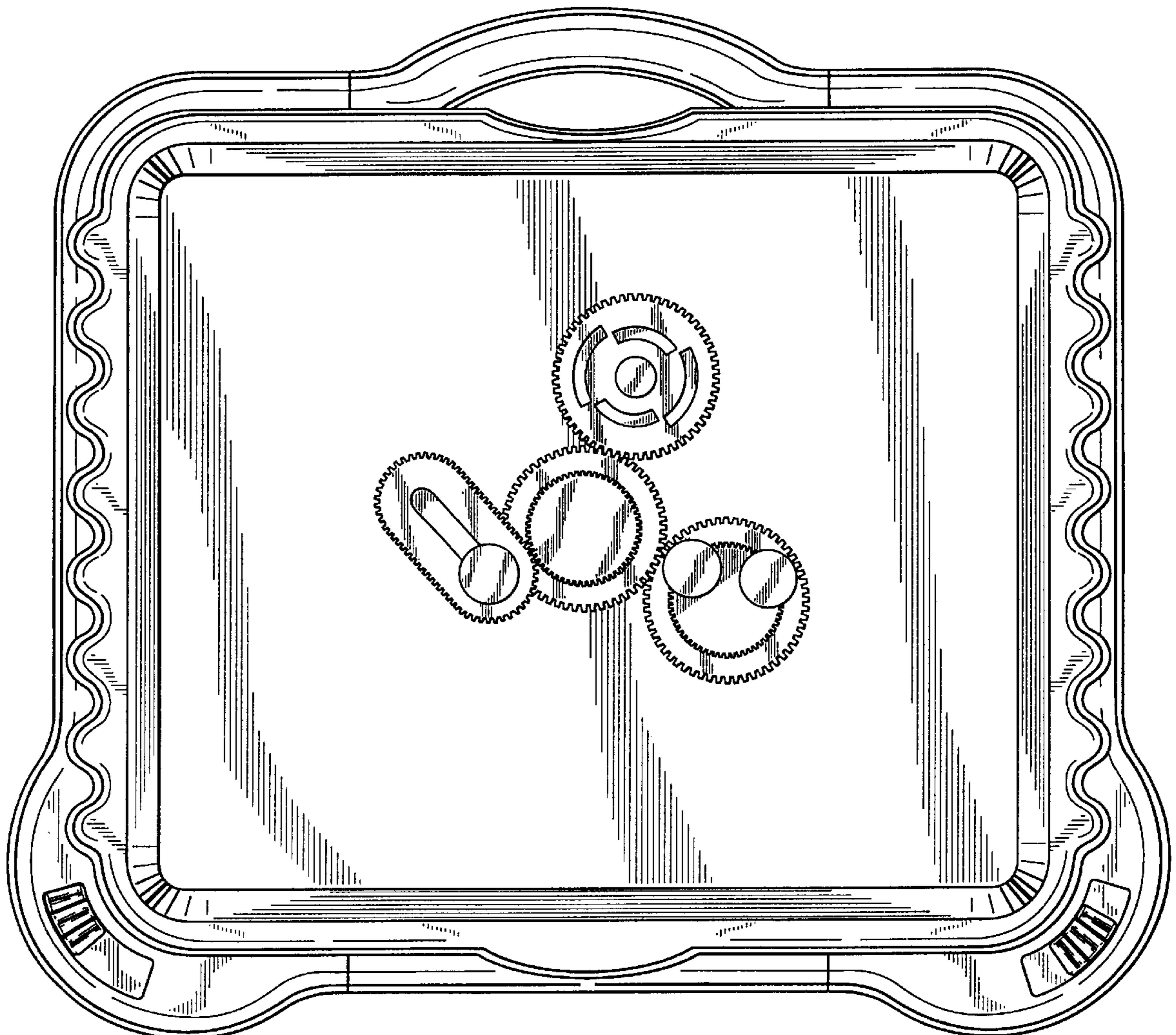
[57] **CLAIM**

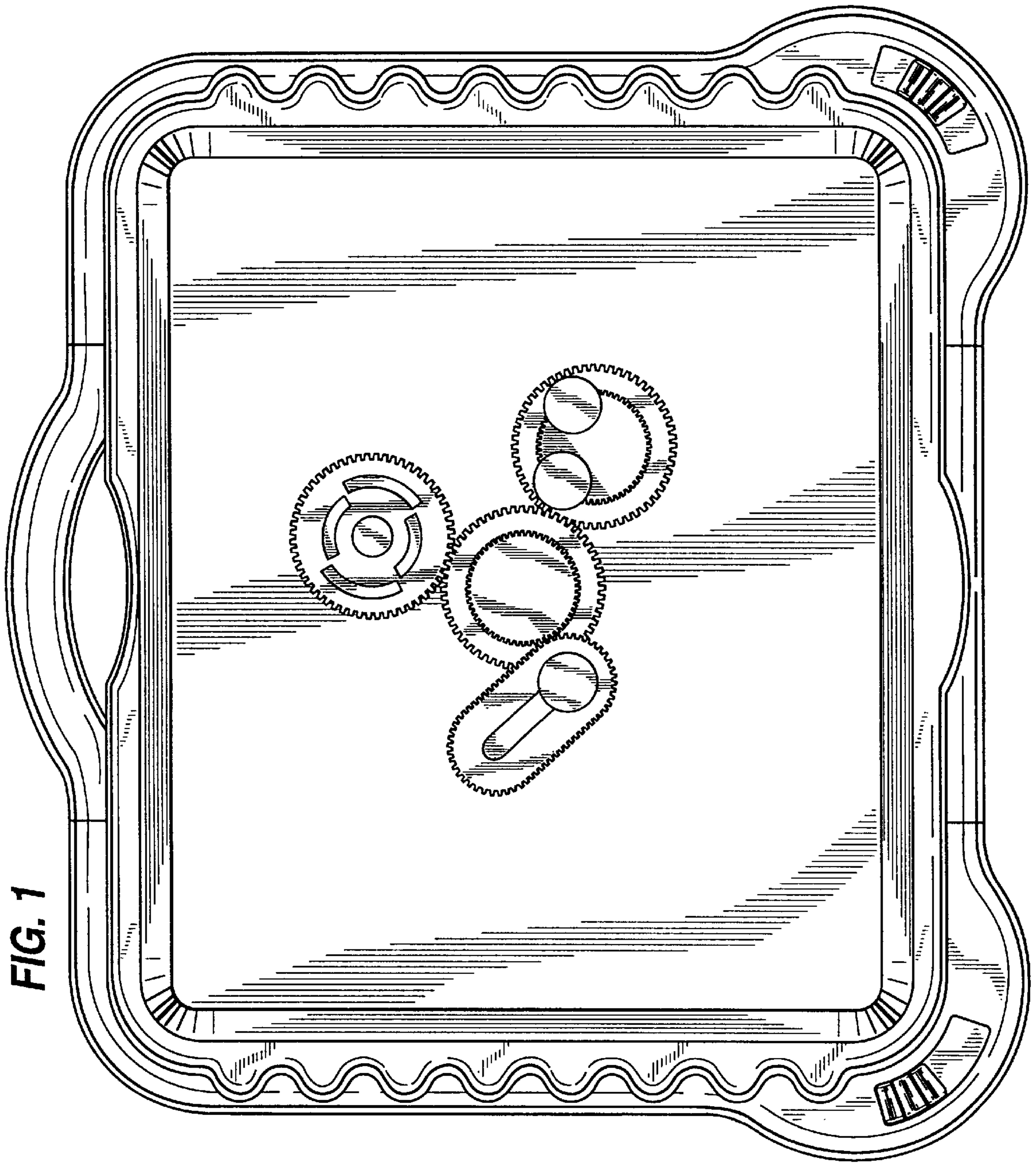
The ornamental design for cog spinning toy, as shown.

**DESCRIPTION**

FIG. 1 is a front elevational view;  
FIG. 2 is a rear elevational view;  
FIG. 3 is a top plan view;  
FIG. 4 is a bottom plan view;  
FIG. 5 is a right side elevational view; and,  
FIG. 6 is a left side elevational view.

**1 Claim, 4 Drawing Sheets**





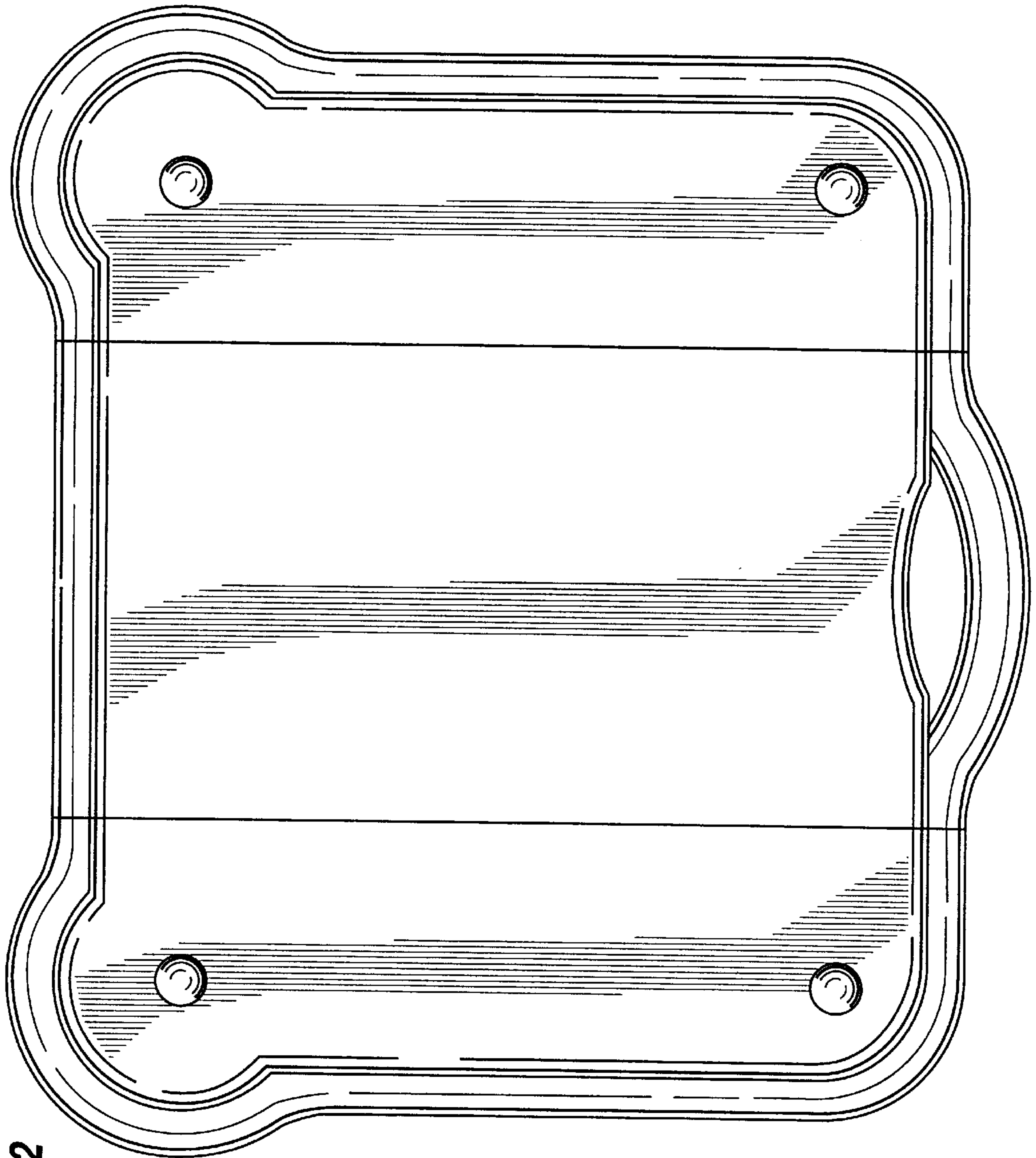
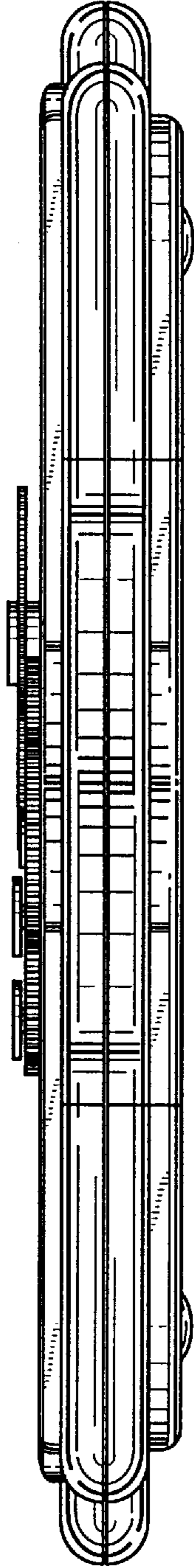
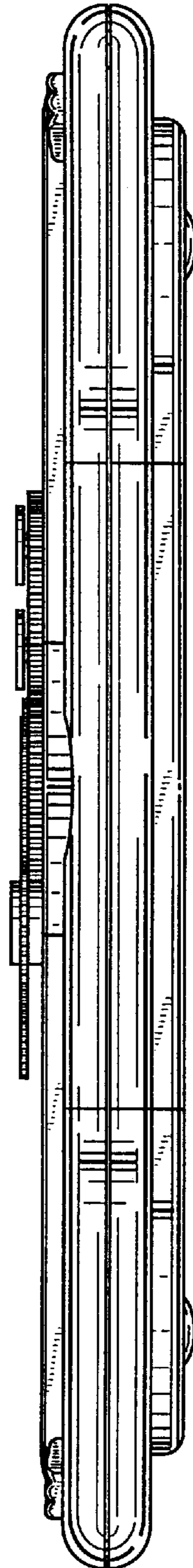


FIG. 2

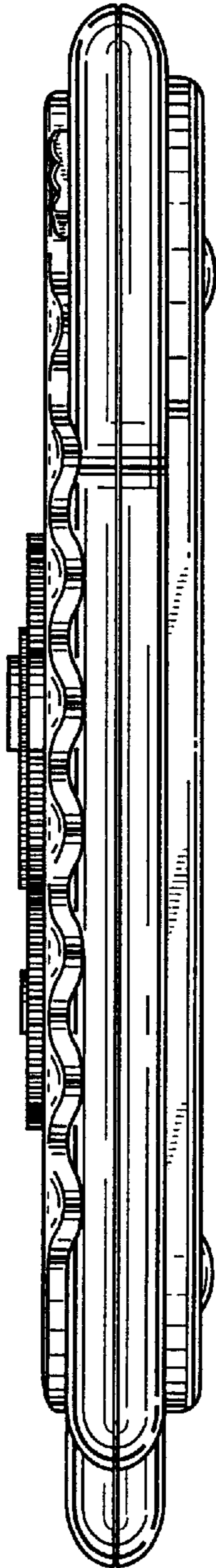
**FIG. 3**



**FIG. 4**



**FIG. 5**



**FIG. 6**

