



US00D405477S

United States Patent [19]

Ota et al.

[11] **Patent Number:** **Des. 405,477**

[45] **Date of Patent:** ****Feb. 9, 1999**

[54] **CASSETTE FOR A GAME MACHINE**

[75] Inventors: **Masahiko Ota, Uji; Kenichi Sugino,**
Ibaraki, both of Japan

[73] Assignee: **Nintendo Co., Ltd.,** Japan

[**] Term: **14 Years**

[21] Appl. No.: **79,175**

[22] Filed: **Oct. 23, 1997**

Related U.S. Application Data

[63] Continuation-in-part of Ser. No. 73,621, Jul. 11, 1997.

[51] **LOC (6) Cl.** **21-01**

[52] **U.S. Cl.** **D21/332**

[58] **Field of Search** D21/1, 48, 13;
273/148 B; 463/1, 29-35, 43-47; D14/121,
114, 124

[56] References Cited

U.S. PATENT DOCUMENTS

- D. 260,515 9/1981 Welch et al. .
- D. 330,370 10/1992 Tseng D14/121 X
- D. 333,686 3/1993 Barr et al. D21/332 X
- D. 350,353 9/1994 Schulman .
- D. 350,992 9/1994 Barr D21/332
- D. 362,692 9/1995 Rissman et al. D21/332

- D. 362,846 10/1995 Inoue et al. D14/121
- D. 375,090 10/1996 Lambert et al. .
- 4,095,791 6/1978 Smith et al. 463/46 X
- 4,149,027 4/1979 Asher et al. 463/44
- 4,865,321 9/1989 Nakagawa et al. 463/44 X
- 5,362,068 11/1994 Liu 463/44
- 5,653,638 8/1997 Nagata 463/44

OTHER PUBLICATIONS

Nintendo Games, Oct. 1996.

Primary Examiner—Prabhakar G. Deshmukh
Attorney, Agent, or Firm—Nixon & Vanderhye P.C.

[57] CLAIM

The ornamental design for a cassette for a game machine, as shown and described.

DESCRIPTION

FIG. 1 is a front elevation view of the cassette for a game machine in accordance with a first embodiment of our new design;

FIG. 2 is a top plan view thereof;

FIG. 3 is a bottom plan view thereof; and,

FIG. 4 is a left side view thereof, the right side view being a mirror image thereof;

FIG. 5 is a rear elevation view thereof; and,

FIG. 6 is a perspective view thereof.

1 Claim, 3 Drawing Sheets

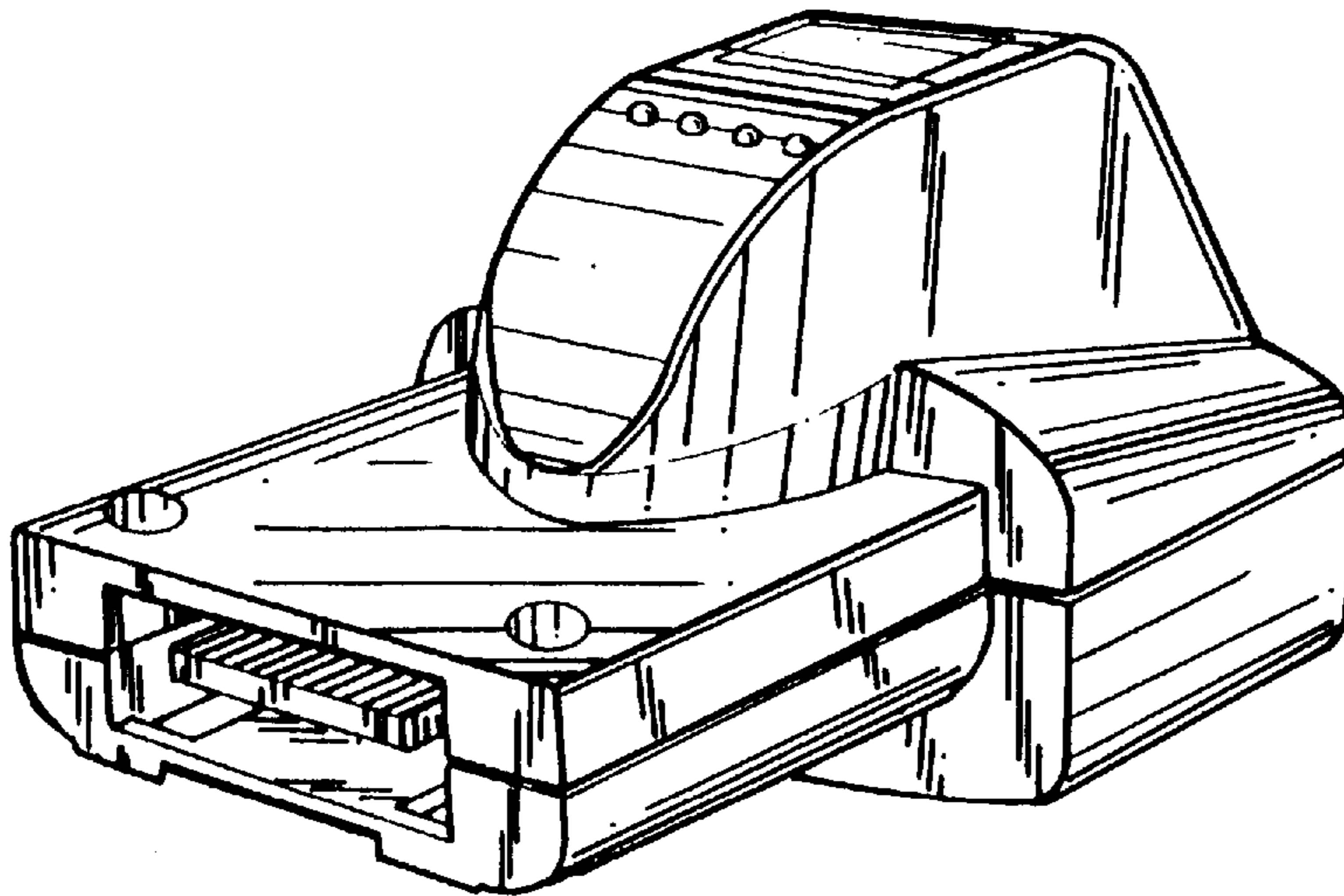


Fig. 1

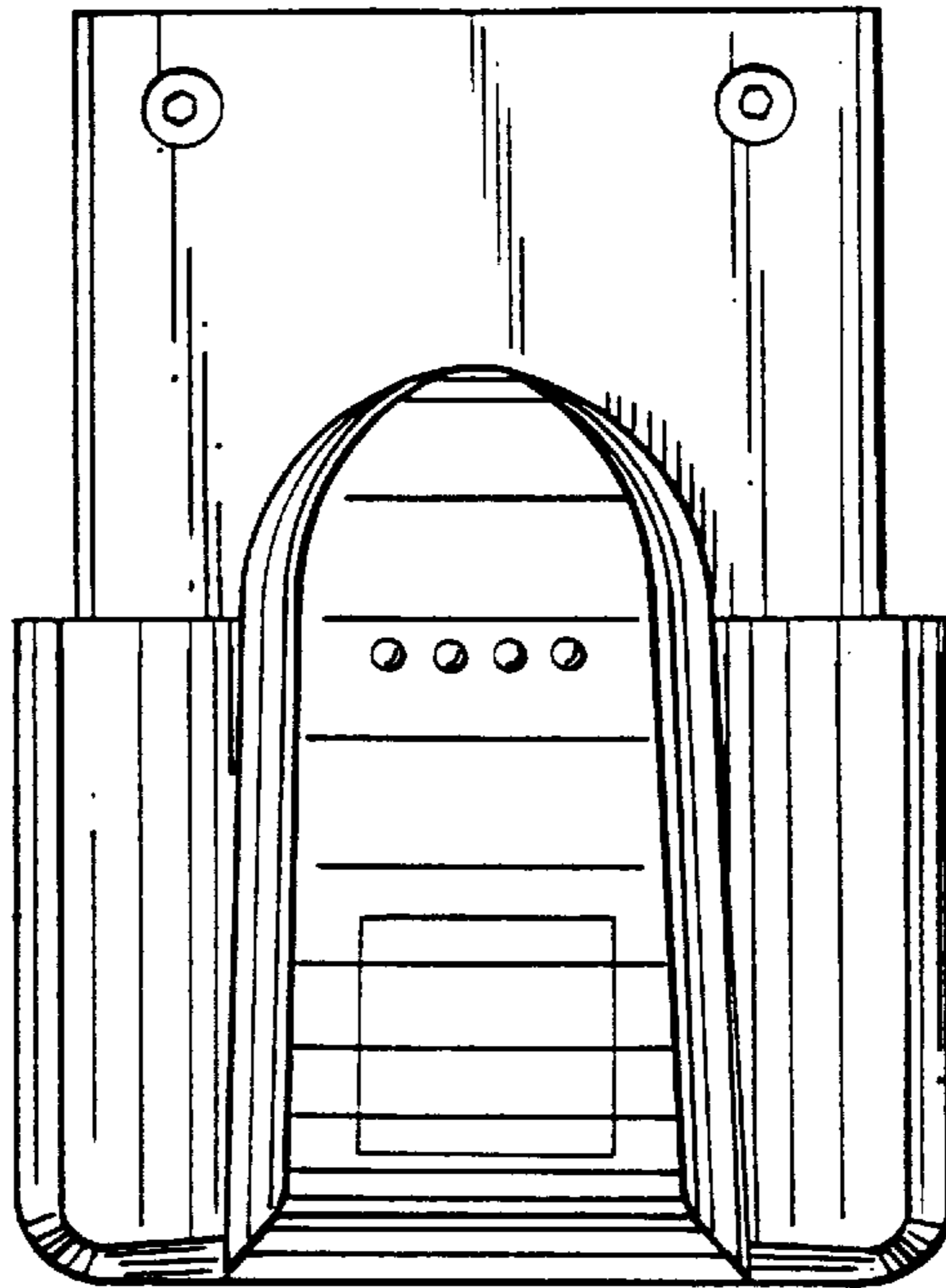


Fig. 2

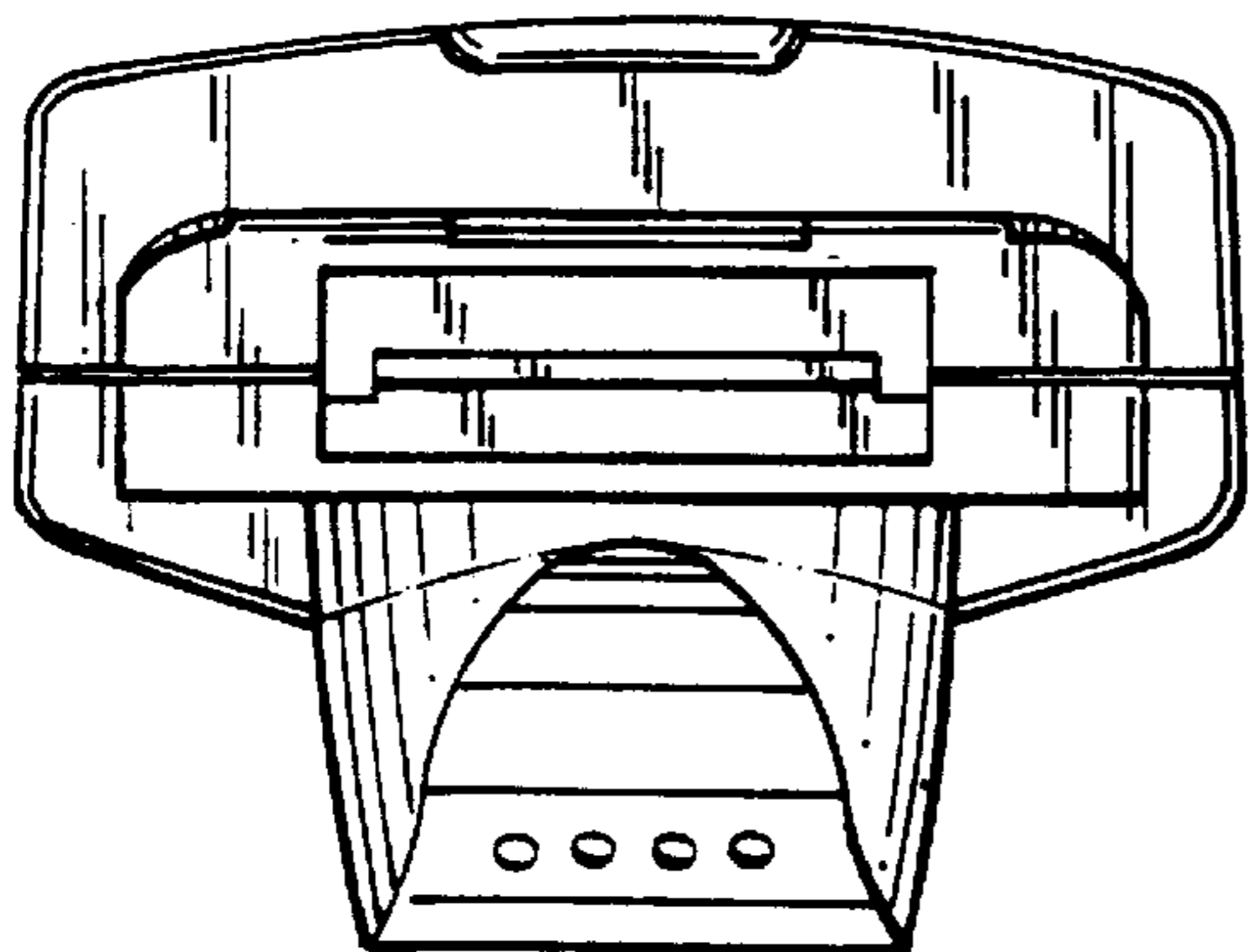
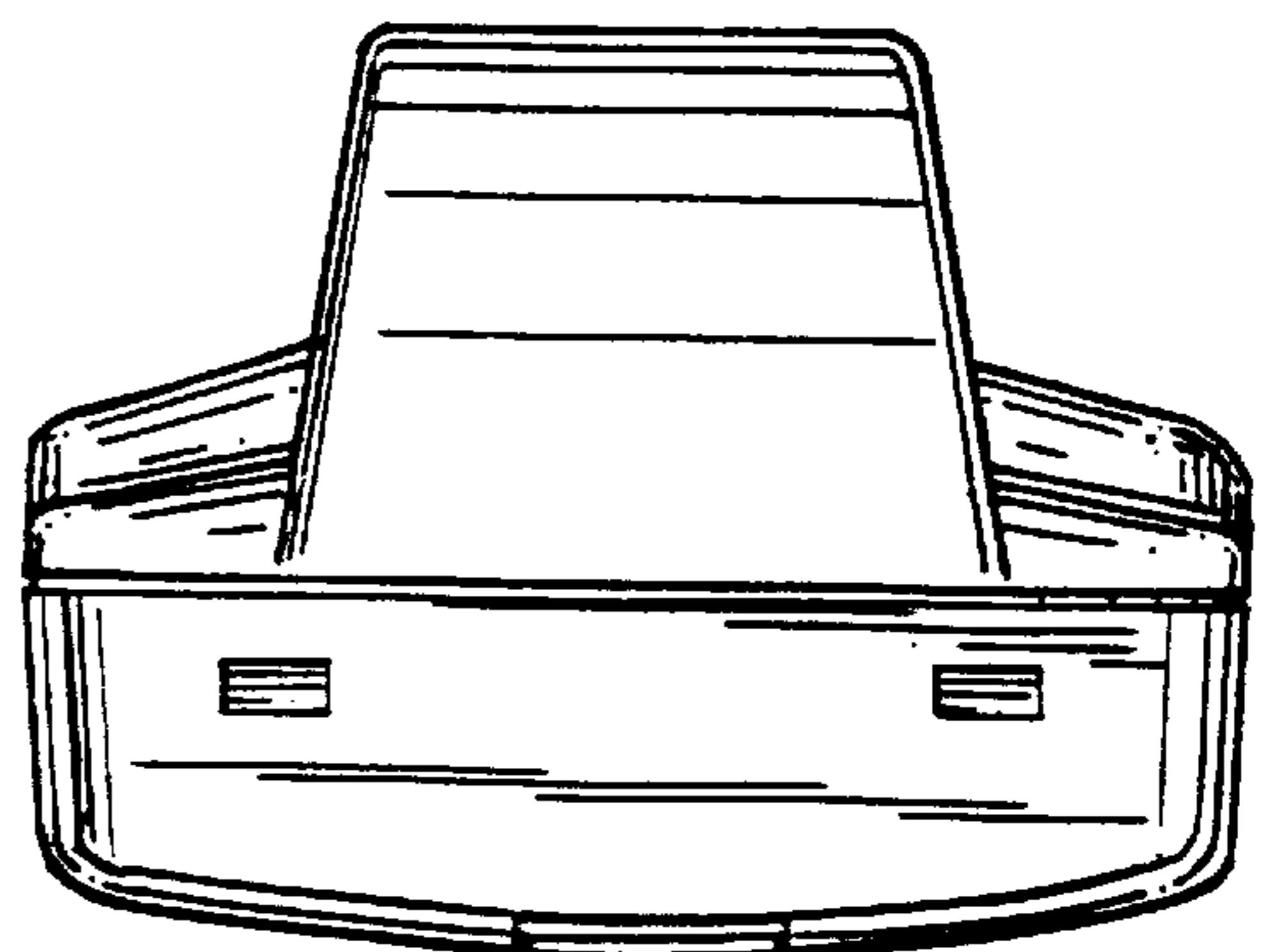


Fig. 3



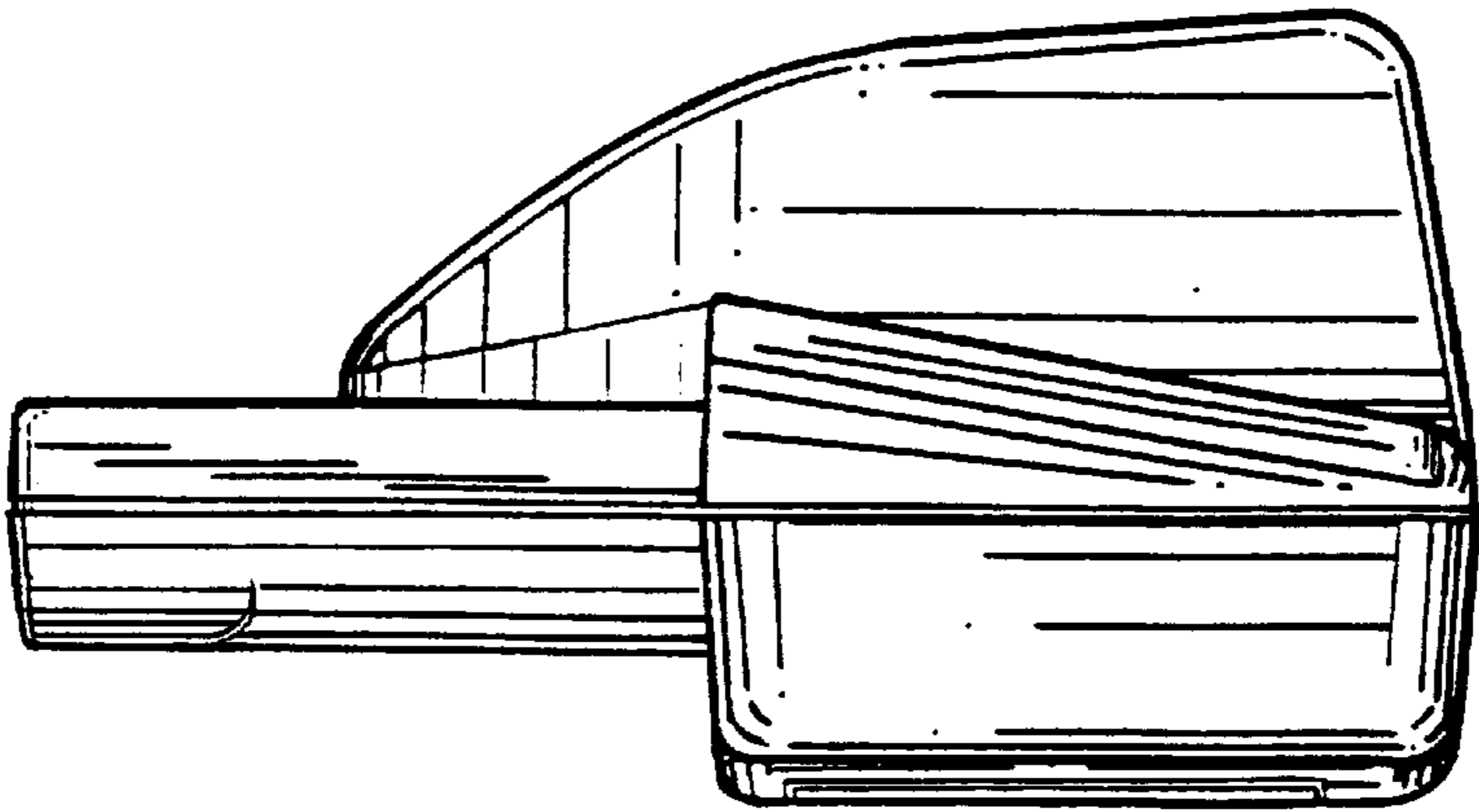


Fig. 4

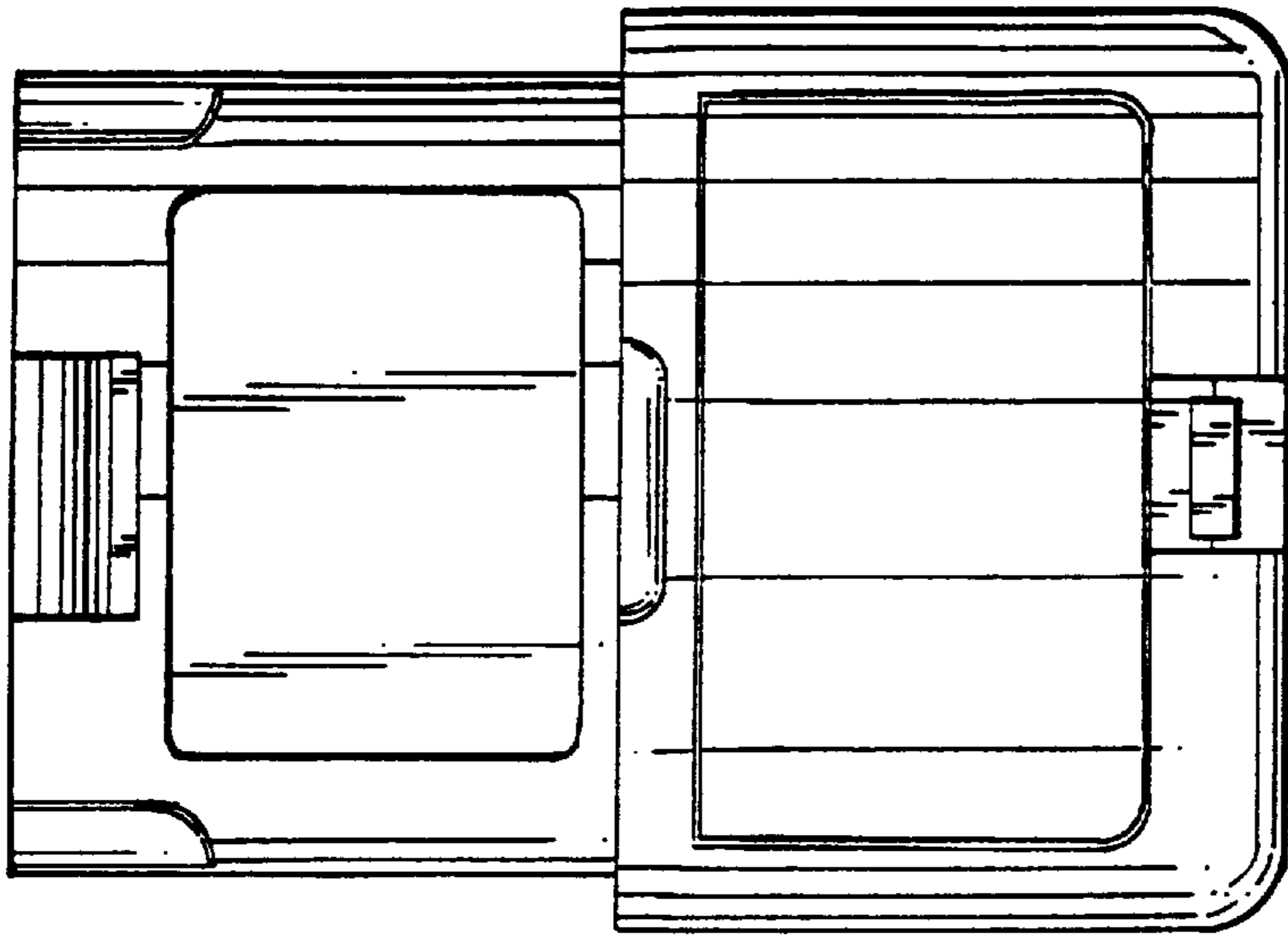


Fig. 5

Fig. 6

