



US00D405474S

United States Patent [19]
Trondson

[11] **Patent Number: Des. 405,474**

[45] **Date of Patent: **Feb. 9, 1999**

[54] **TOSS GAME TARGET**

[76] Inventor: **Allen L. Trondson**, 15020—2nd Ave.,
NE., Marysville, Wash. 98271

[**] Term: **14 Years**

[21] Appl. No.: **80,665**

[22] Filed: **Sep. 29, 1997**

[51] **LOC (6) Cl. 21-01**

[52] **U.S. Cl. D21/303**

[58] **Field of Search D21/300, 302,**
D21/303, 312; 273/398-402, 415, 123 R,
123 A

[56] **References Cited**

U.S. PATENT DOCUMENTS

D. 231,480	4/1974	Britton	D21/303
D. 369,188	4/1996	Briggs	D21/303
4,927,161	5/1990	Brenneman	273/402
4,936,590	6/1990	Palmer	273/402
4,974,858	12/1990	Knowlton	273/402 X
5,575,480	11/1996	Wehr	273/402

Primary Examiner—Prabhakar G. Deshmukh
Attorney, Agent, or Firm—Todd N. Hathaway

[57] **CLAIM**

The ornamental design for a toss game target, as shown and described.

DESCRIPTION

FIG. 1 is a front and top side perspective view of a toss game target showing our new design; shown in an assembled condition;

FIG. 2 is a front and top side perspective of the forward portion of the toss game target;

FIG. 3 is a top plan view thereof;

FIG. 4 is a left side elevational view thereof; the right side elevational view being a mirror image thereof;

FIG. 5 is a bottom plan view thereof;

FIG. 6 is a front elevational view thereof;

FIG. 7 is a rear elevational view thereof;

FIG. 8 is a front and top perspective view of a rearward portion of the toss game target;

FIG. 9 is a top plan view thereof;

FIG. 10 is a left side elevational view thereof; the right side elevational view being a mirror image thereof;

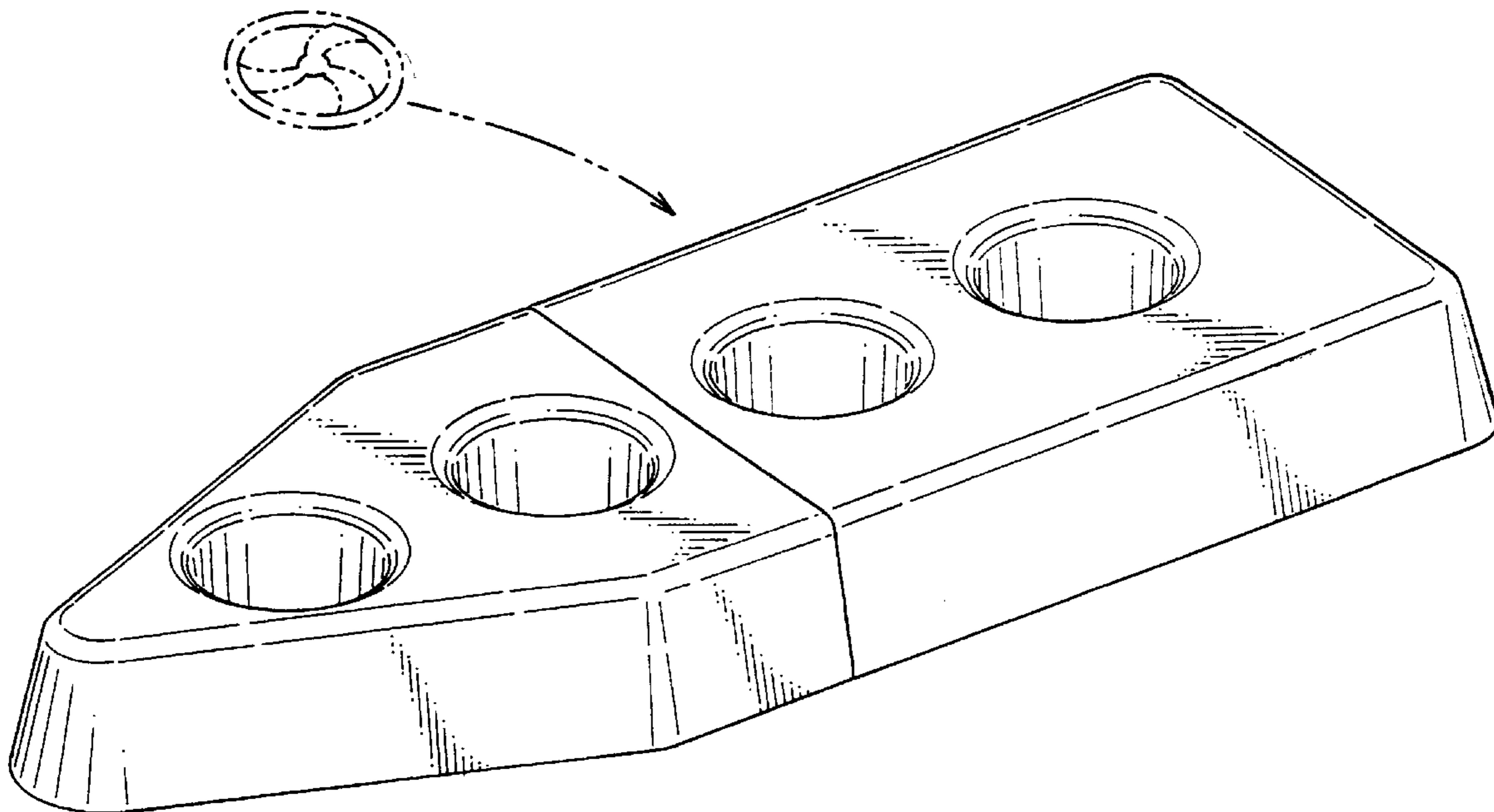
FIG. 11 is a bottom plan view thereof;

FIG. 12 is a front elevational view thereof; and,

FIG. 13 is a rear elevational view thereof.

The toss game target is shown separately in forward and rearward portions for clarity of illustration. The broken line showing of target disc with arrow in FIG. 1 is for illustrative purpose only and forms no part of the claim.

1 Claim, 5 Drawing Sheets



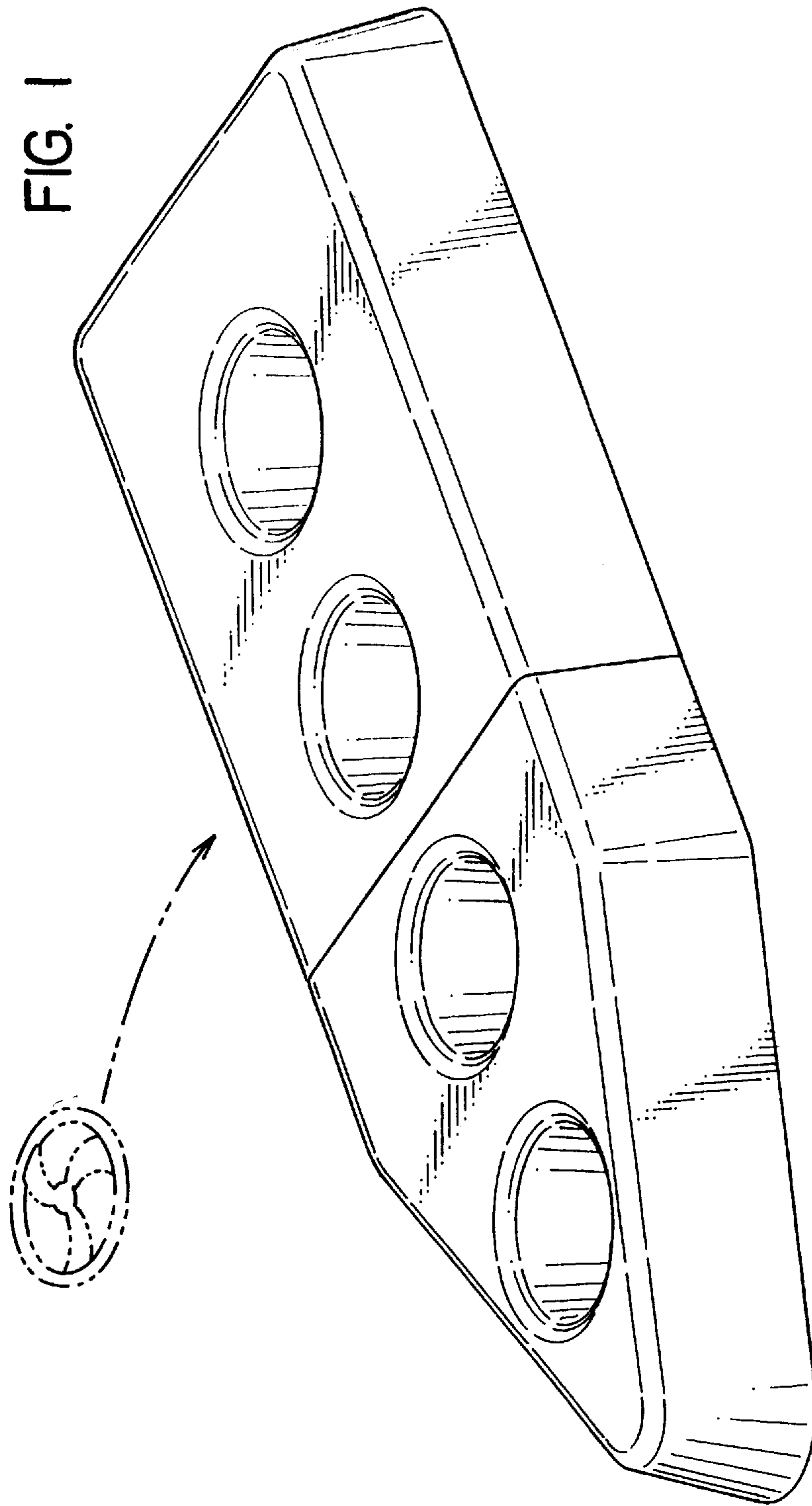


FIG. 2

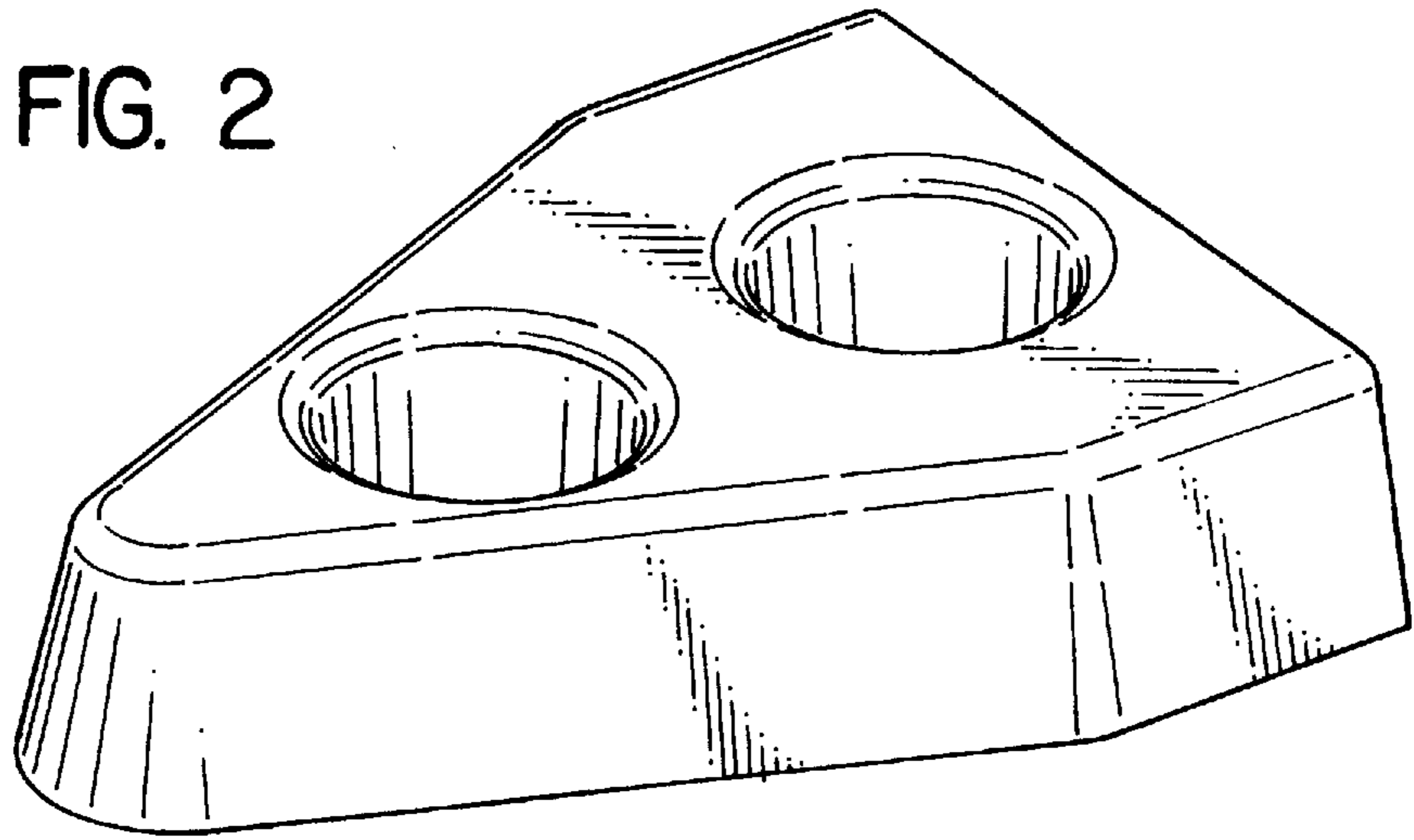


FIG. 3

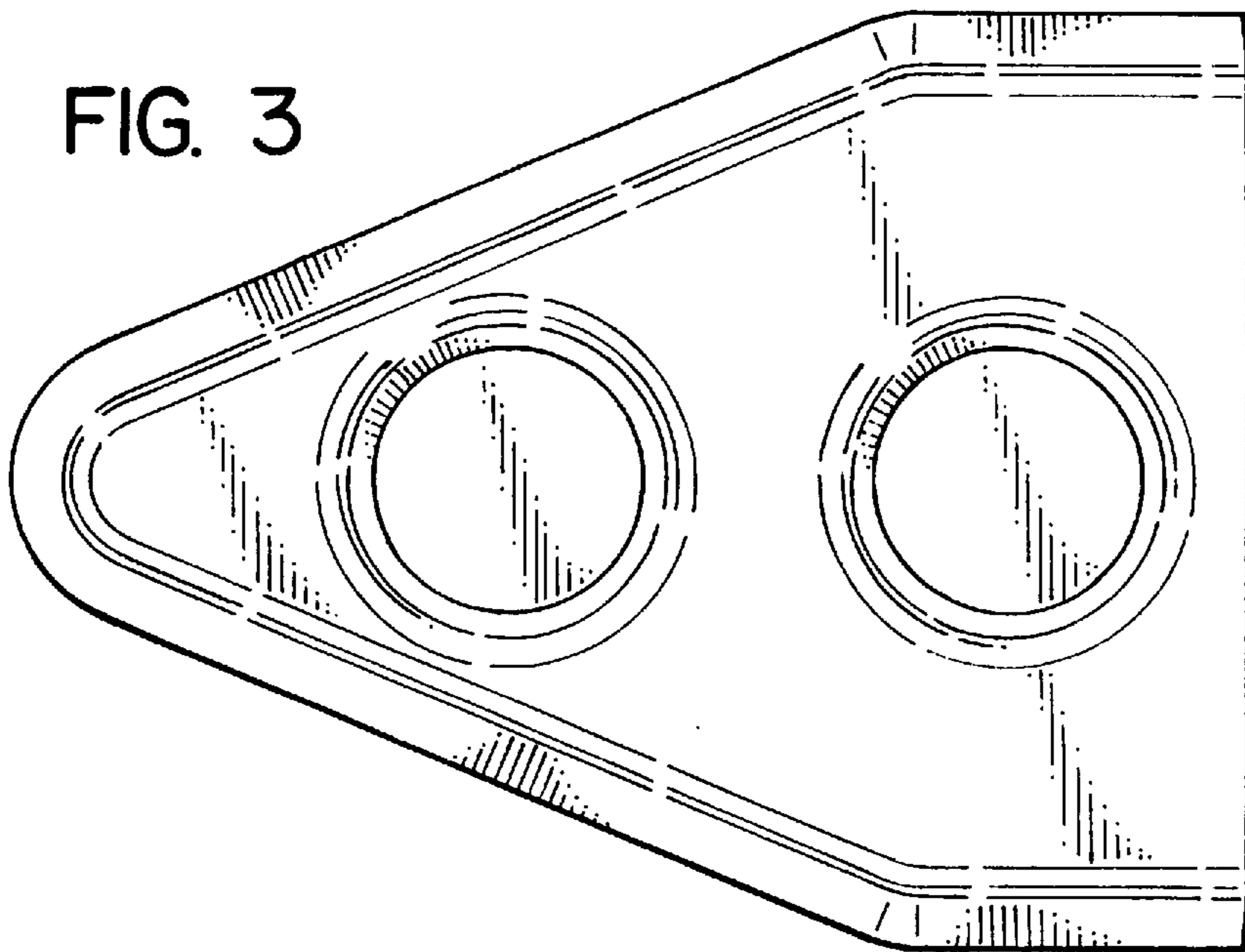


FIG. 4

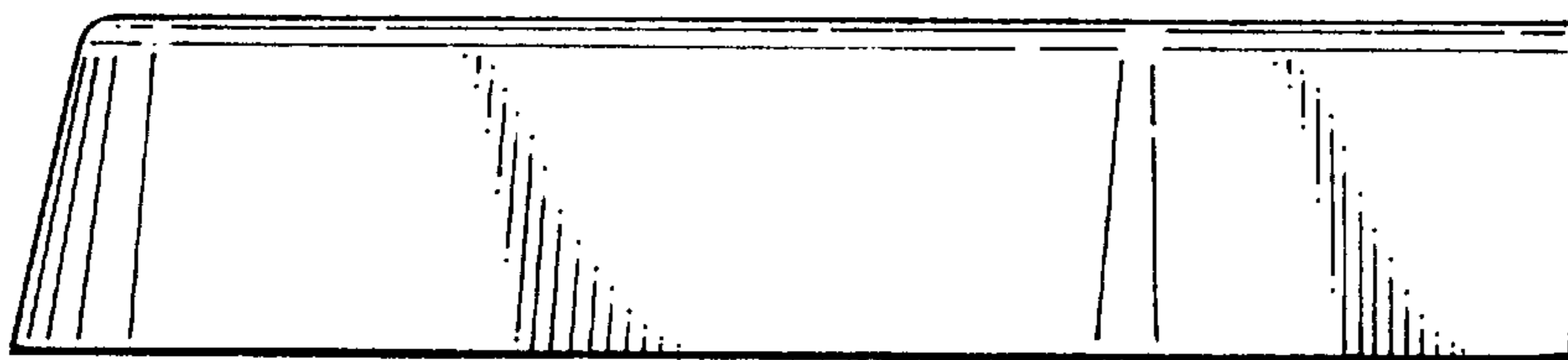


FIG. 5

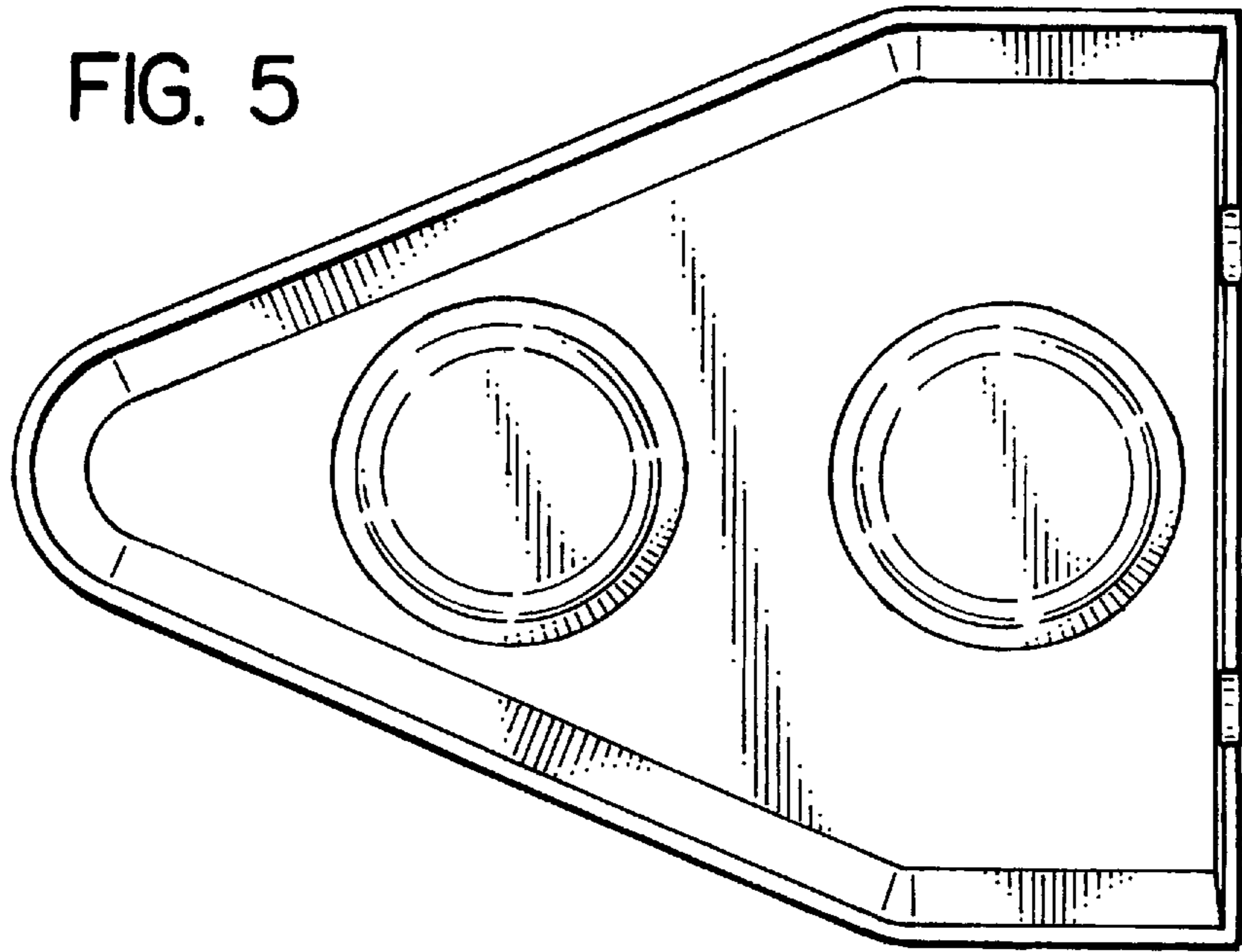


FIG. 6

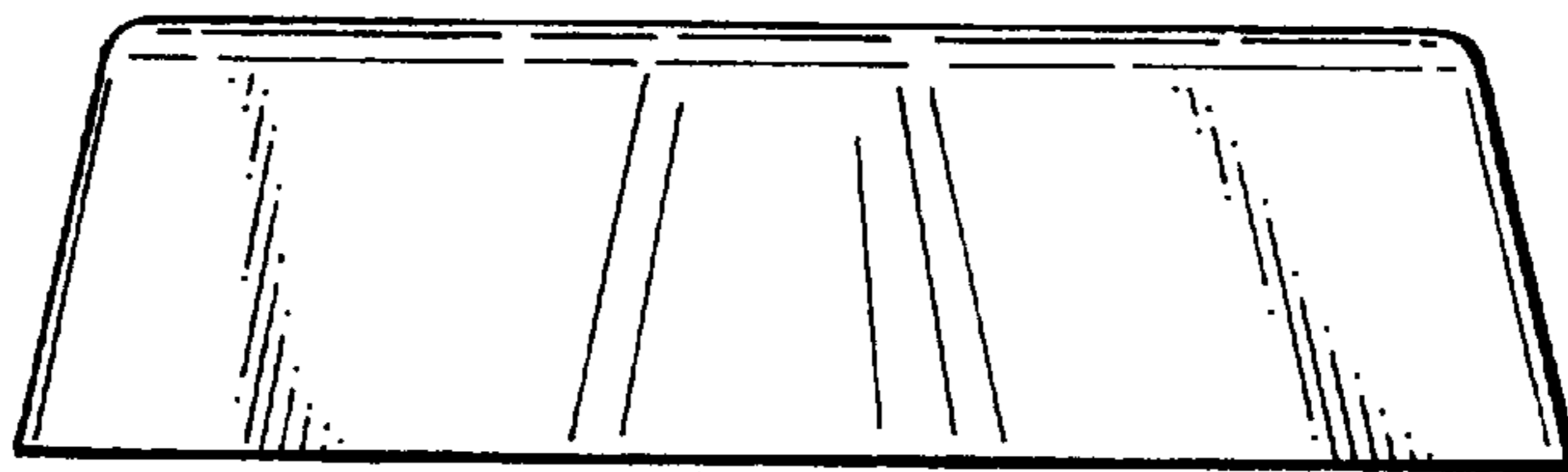


FIG. 7

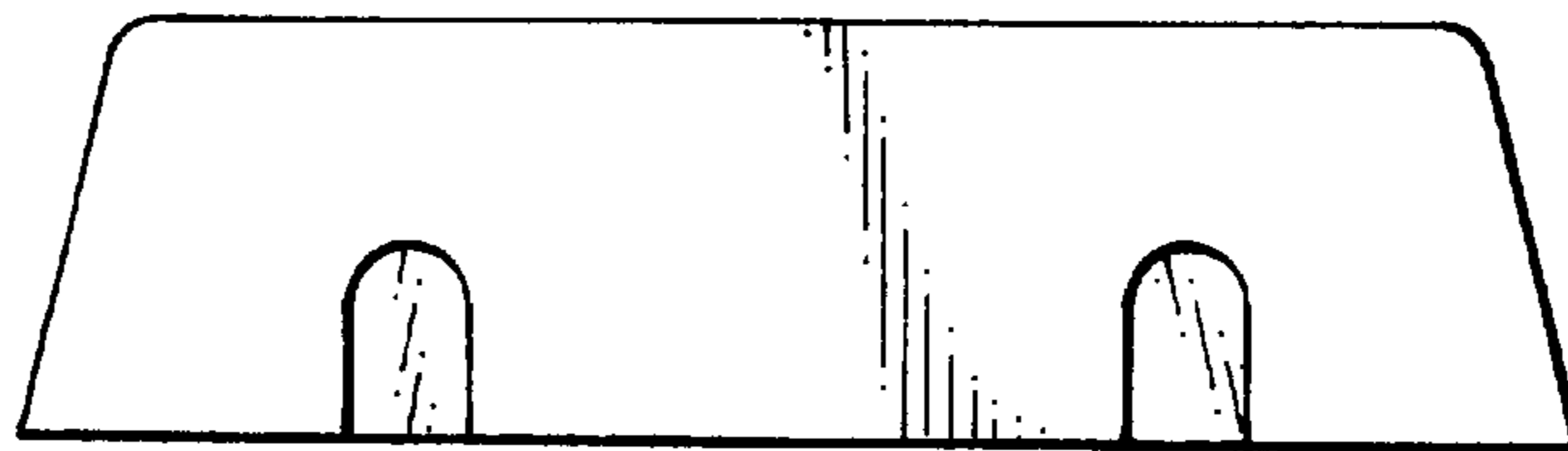


FIG. 8

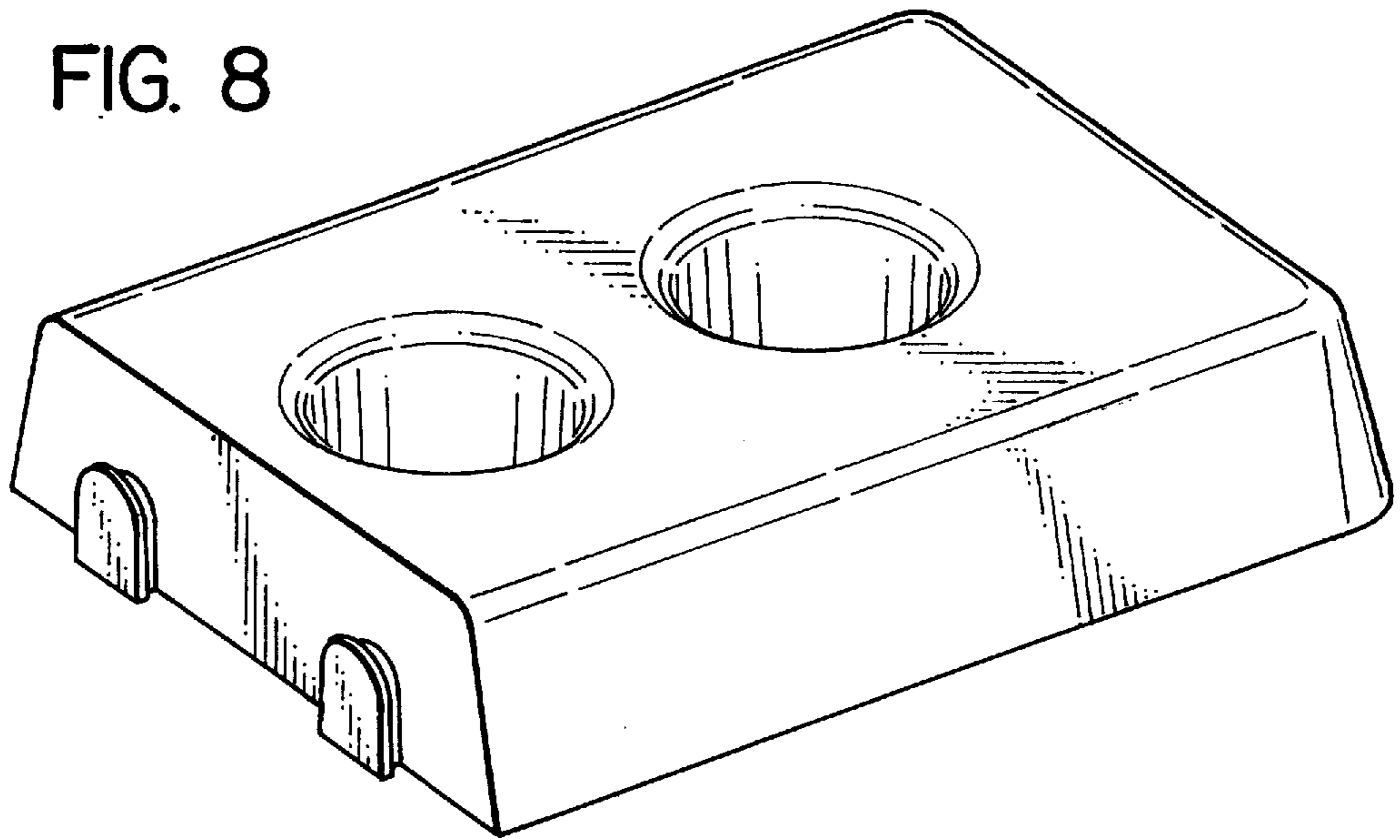


FIG. 9

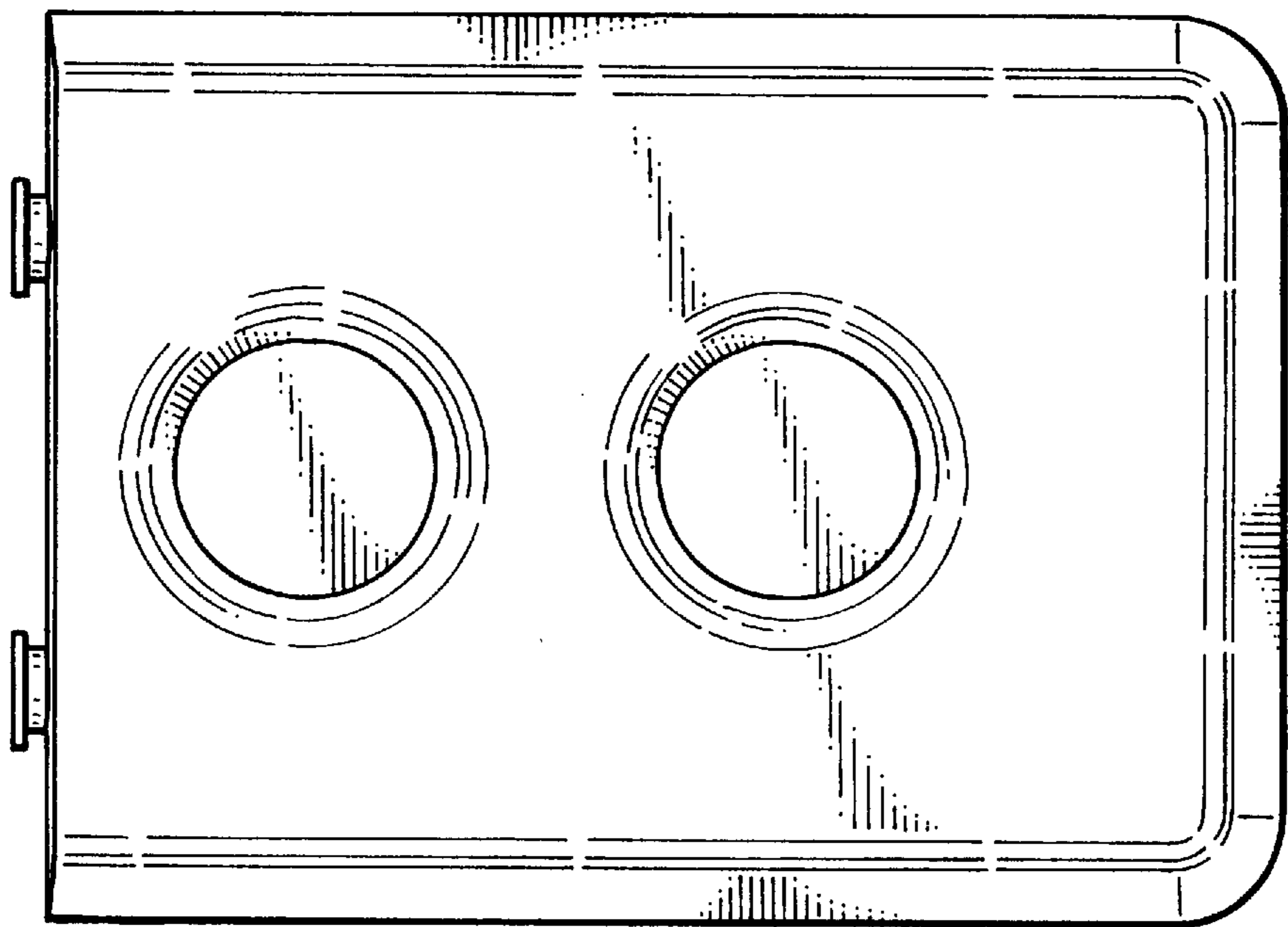


FIG. 10

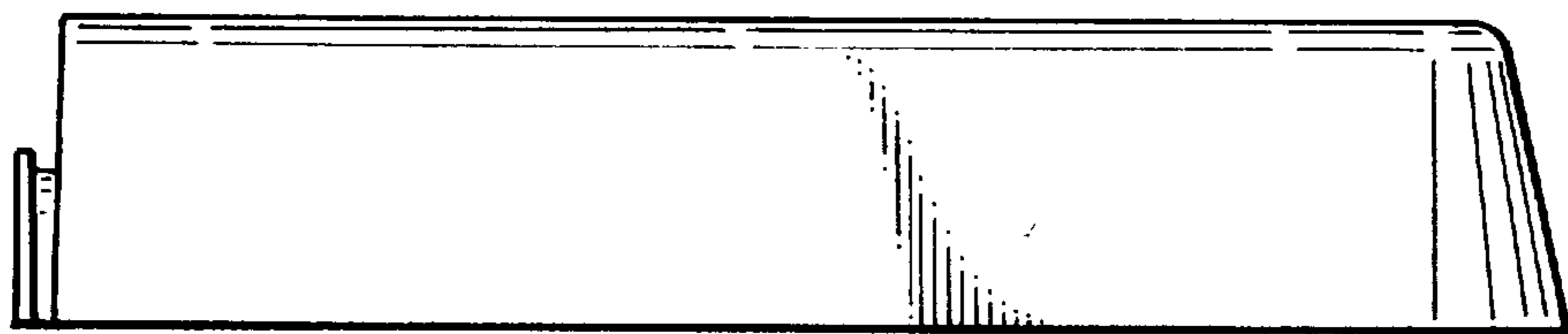


FIG. 11

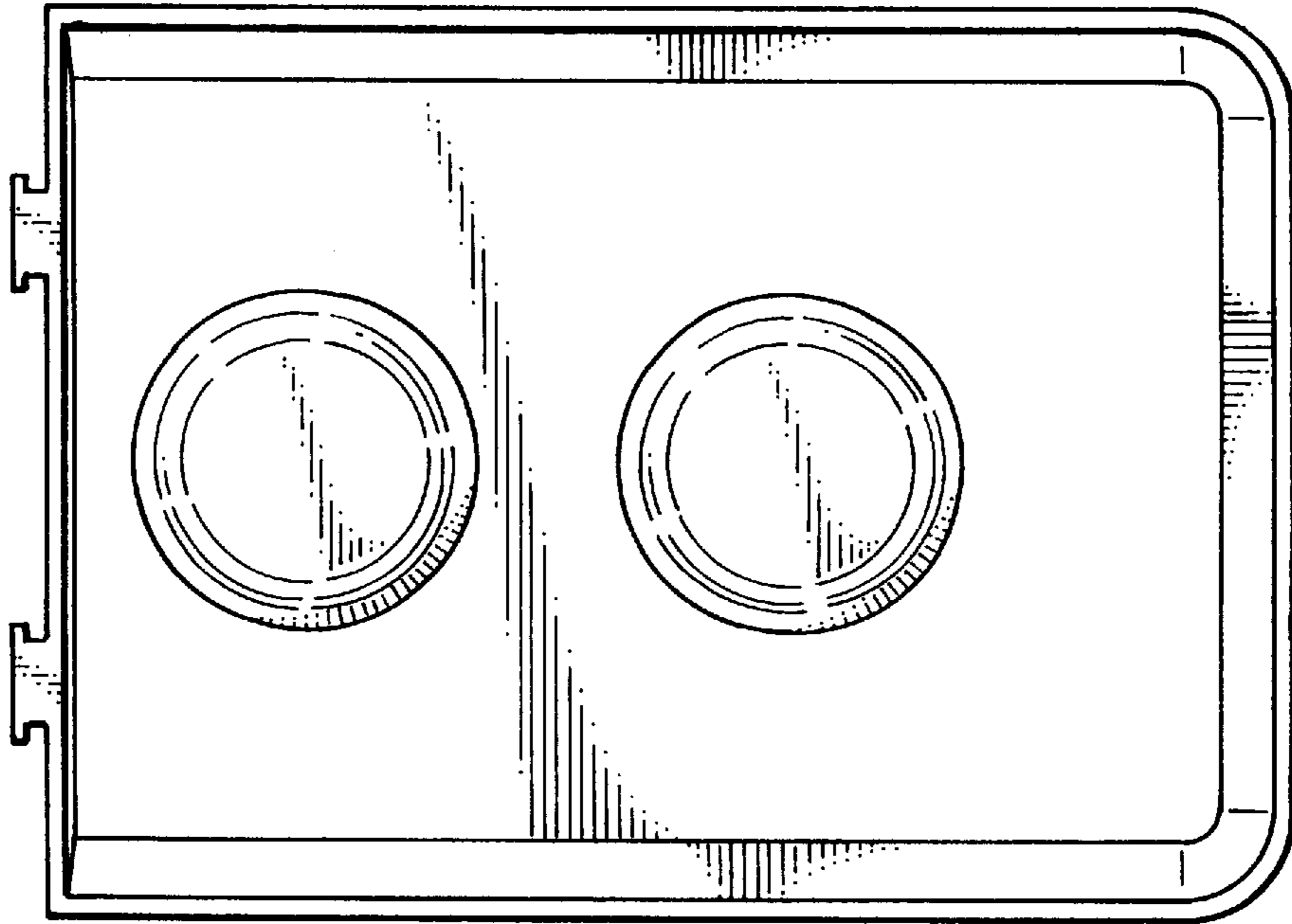


FIG. 12

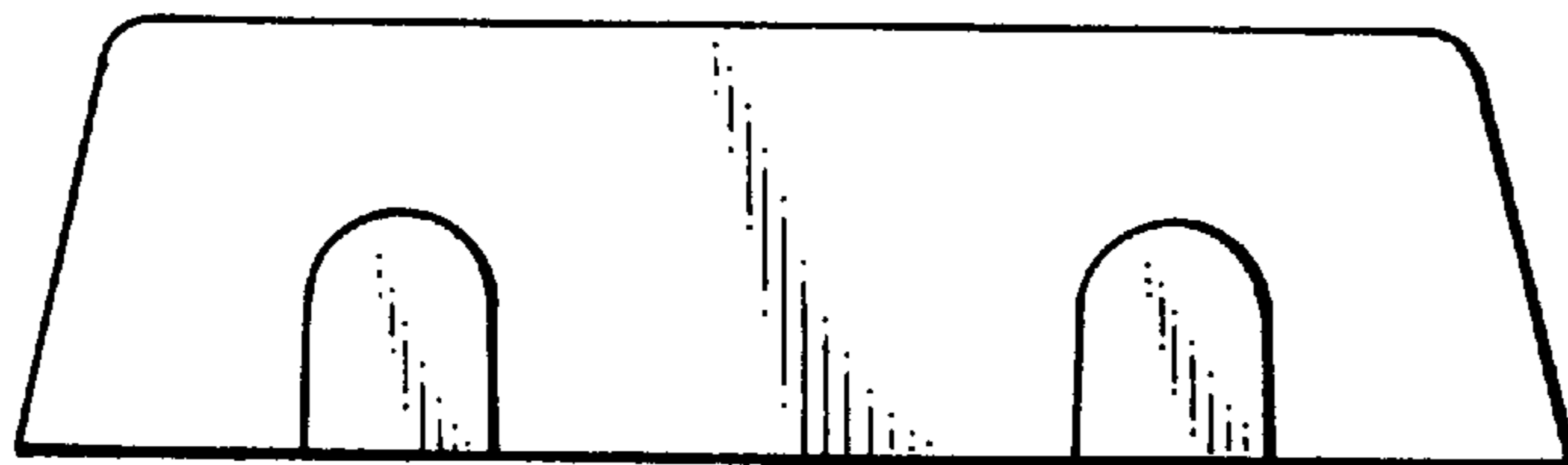


FIG. 13

