



US00D405471S

**United States Patent** [19]  
**Carlson**

[11] **Patent Number: Des. 405,471**

[45] **Date of Patent: \*\*Feb. 9, 1999**

[54] **HEAVY ROCKING BASE**

[75] Inventor: **Casey L. Carlson**, Edina, Minn.

[73] Assignee: **Minnesota Mining and Manufacturing Company**, St. Paul, Minn.

[\*\*] Term: **14 Years**

[21] Appl. No.: **75,778**

[22] Filed: **Aug. 22, 1997**

**Related U.S. Application Data**

[62] Division of Ser. No. 55,970, Jun. 19, 1996, Pat. No. Des. 387,808.

[51] **LOC (6) Cl.** ..... **19-99**

[52] **U.S. Cl.** ..... **D19/99; D19/95; D19/86; D19/96**

[58] **Field of Search** ..... D19/35, 36, 65, D19/75, 77, 78, 79, 81-85, 86, 93, 95, 96, 99, 100; 206/214; 211/69.1-69.9; 221/33, 35, 36, 45, 46, 47-49, 51, 52, 56, 57, 61, 63, 197, 281, 282, 185

[56] **References Cited**

**U.S. PATENT DOCUMENTS**

D. 55,510 6/1920 Gamble ..... D19/96

D. 85,644	12/1931	Graff	.....	D19/96
D. 164,885	10/1951	Thompson	.....	D19/96
D. 181,114	10/1957	Turner	.....	D19/36
D. 186,702	11/1959	Bunn	.....	D19/84
D. 226,335	2/1973	Levy	.....	D19/96 X
D. 241,345	9/1976	Struchen et al.	.....	D19/96
D. 298,442	11/1988	Murtagh	.....	D19/96
D. 326,114	5/1992	Murtagh	.....	D19/97
D. 340,744	10/1993	Van Eijben et al.	.....	D19/75
D. 387,808	12/1997	Carlson	.....	D19/99
D. 396,249	7/1998	Carlson	.....	D19/95 X
1,218,663	3/1917	James	.	
1,620,529	3/1927	Ferris	.	
2,956,544	10/1960	McDonald et al.	.....	211/69.6
5,358,141	10/1994	Carlson et al.	.....	221/185

*Primary Examiner*—Martie K. Holtje  
*Attorney, Agent, or Firm*—William L. Huebsch

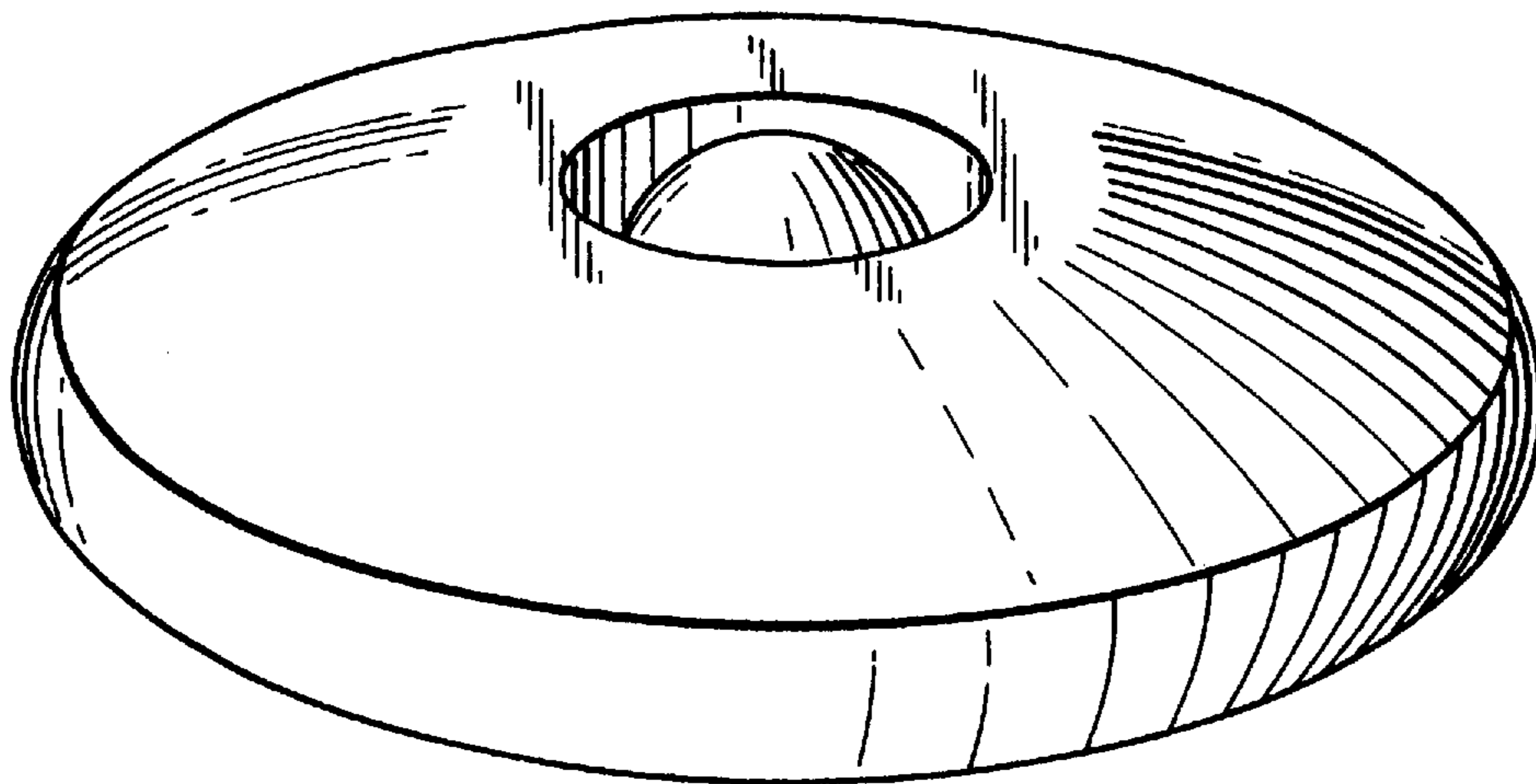
[57] **CLAIM**

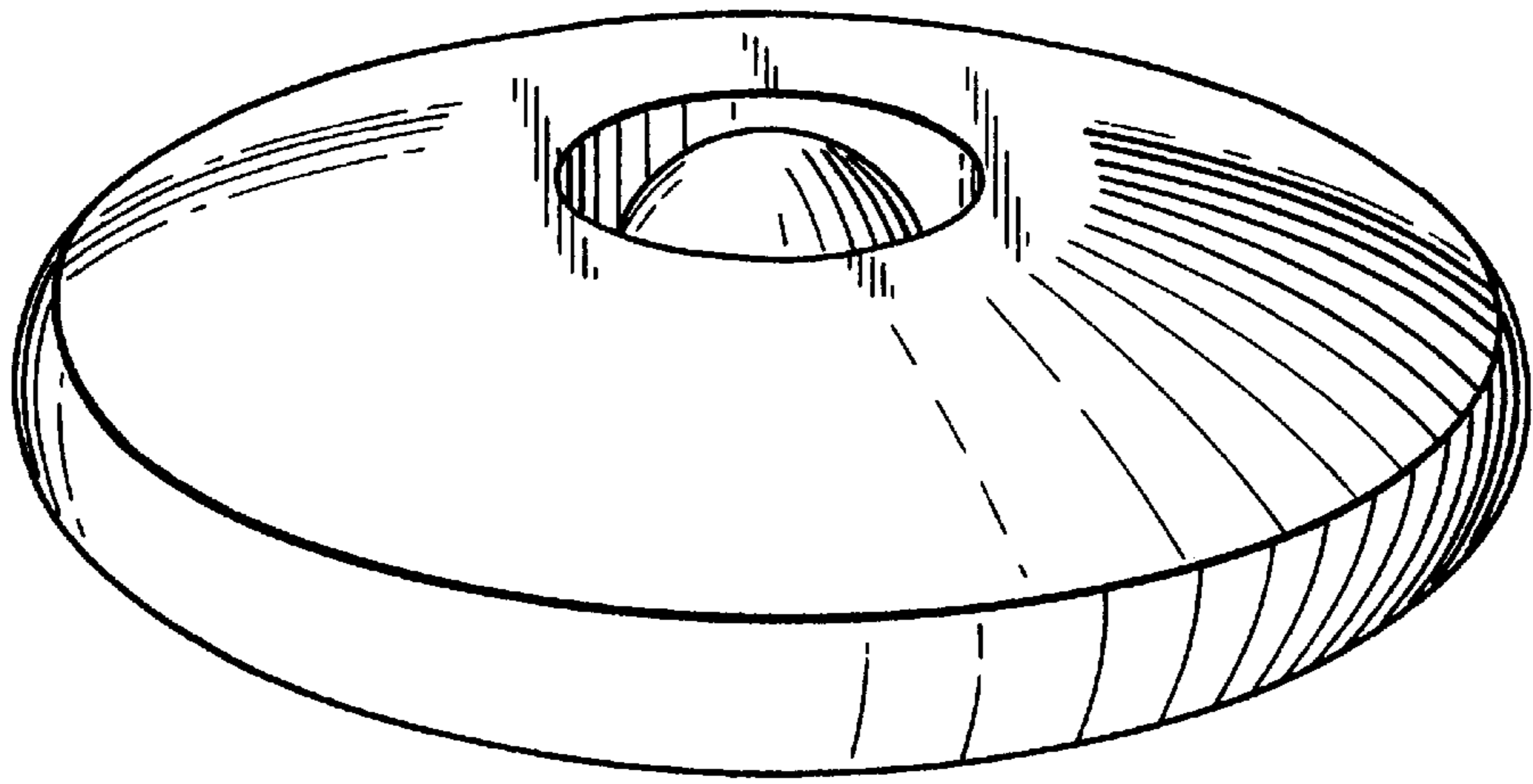
Teh ornamental design for a heavy rocking base, as shown and described.

**DESCRIPTION**

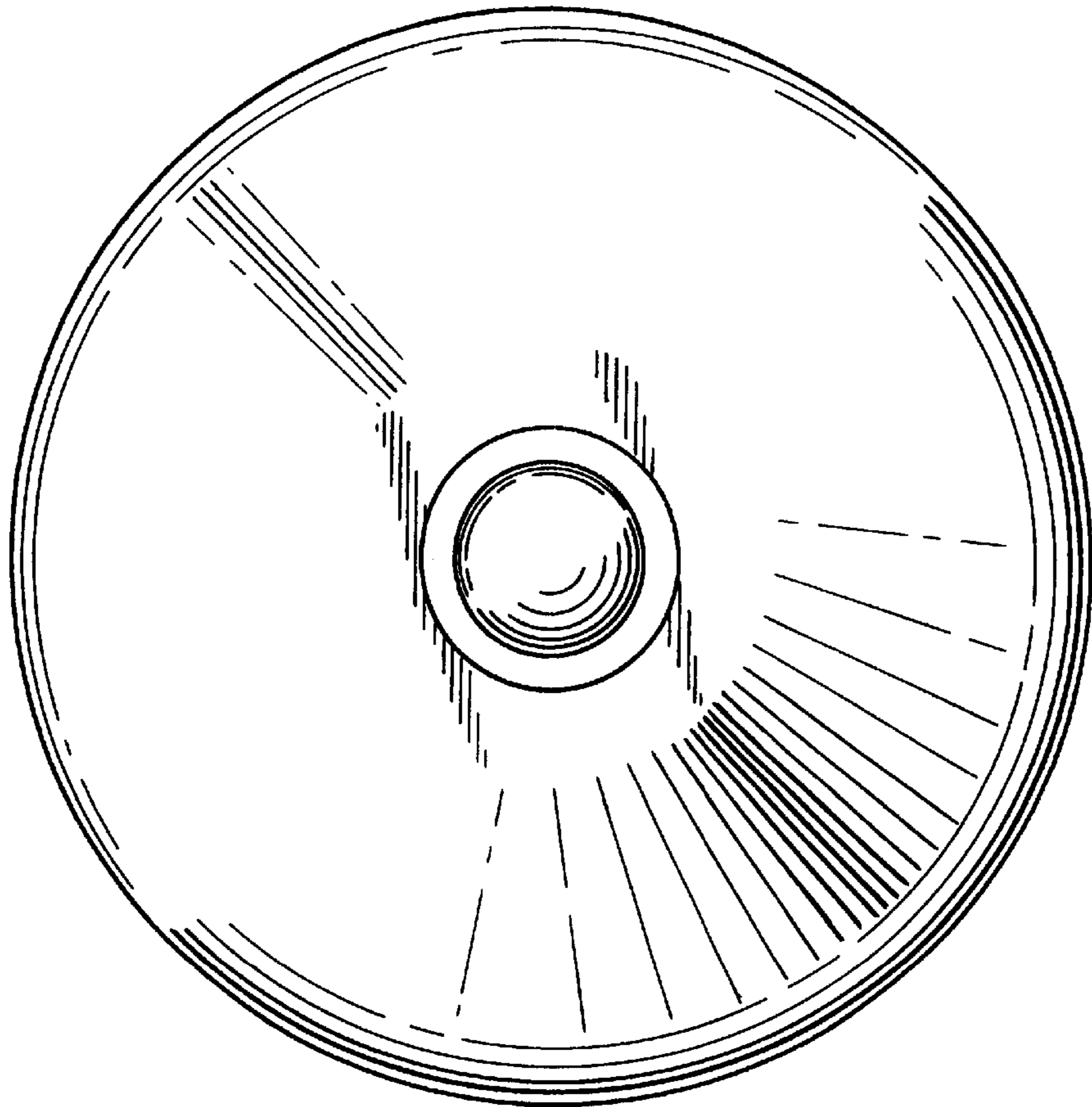
FIG. 1 is a top, front isometric view of a heavy rocking base showing my new design;  
FIG. 2 is a top plan view of the heavy rocking base;  
FIG. 3 is a bottom plan view of the heavy rocking base; and,  
FIG. 4 is a front elevational view of the heavy rocking base, the rear and side elevational views thereof being the same.

**1 Claim, 2 Drawing Sheets**

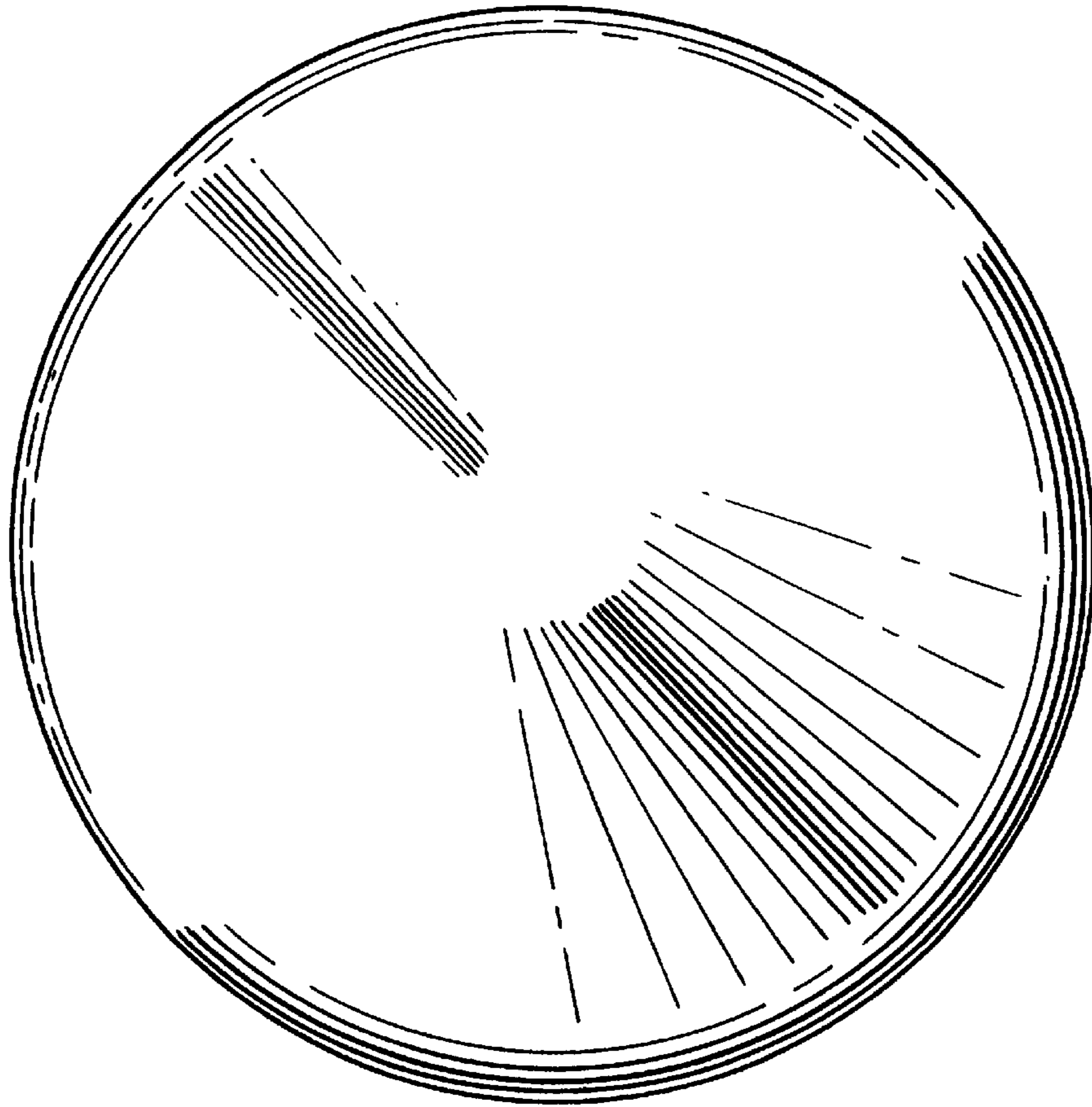




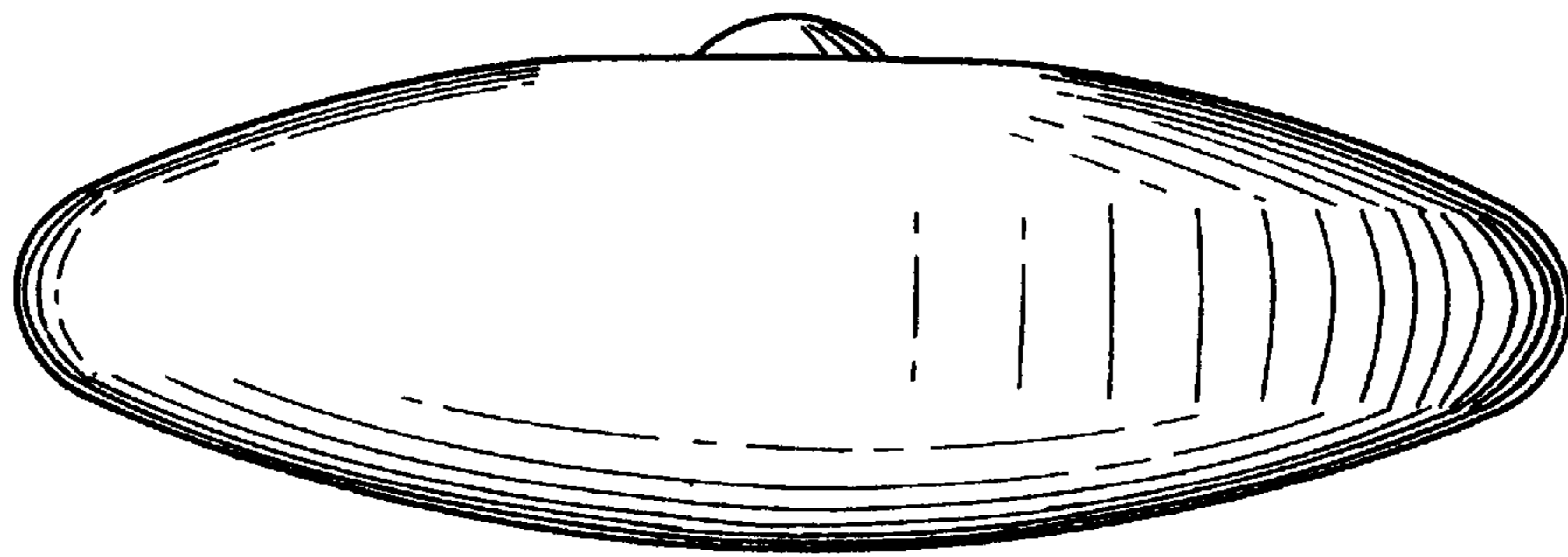
**Fig. 1**



**Fig. 2**



**Fig. 3**



**Fig. 4**